

# ***Digital Logic***

## ***Pocket Data Book***

**2007**

**SLL**

***Digital Logic***  
*Pocket Data Book*



## IMPORTANT NOTICE

Texas Instruments Incorporated and its subsidiaries (TI) reserve the right to make corrections, modifications, enhancements, improvements, and other changes to its products and services at any time and to discontinue any product or service without notice. Customers should obtain the latest relevant information before placing orders and should verify that such information is current and complete. All products are sold subject to TI's terms and conditions of sale supplied at the time of order acknowledgment.

TI warrants performance of its hardware products to the specifications applicable at the time of sale in accordance with TI's standard warranty. Testing and other quality control techniques are used to the extent TI deems necessary to support this warranty. Except where mandated by government requirements, testing of all parameters of each product is not necessarily performed.

TI assumes no liability for applications assistance or customer product design. Customers are responsible for their products and applications using TI components. To minimize the risks associated with customer products and applications, customers should provide adequate design and operating safeguards.

TI does not warrant or represent that any license, either express or implied, is granted under any TI patent right, copyright, mask work right, or other TI intellectual property right relating to any combination, machine, or process in which TI products or services are used. Information published by TI regarding third-party products or services does not constitute a license from TI to use such products or services or a warranty or endorsement thereof. Use of such information may require a license from a third party under the patents or other intellectual property of the third party, or a license from TI under the patents or other intellectual property of TI.

Reproduction of information in TI data books or data sheets is permissible only if reproduction is without alteration and is accompanied by all associated warranties, conditions, limitations, and notices. Reproduction of this information with alteration is an unfair and deceptive business practice. TI is not responsible or liable for such altered documentation.

Resale of TI products or services with statements different from or beyond the parameters stated by TI for that product or service voids all express and any implied warranties for the associated TI product or service and is an unfair and deceptive business practice. TI is not responsible or liable for any such statements.

Following are URLs where you can obtain information on other Texas Instruments products and application solutions:

<b>Products</b>		<b>Applications</b>	
Amplifiers	<a href="http://amplifier.ti.com">amplifier.ti.com</a>	Audio	<a href="http://www.ti.com/audio">www.ti.com/audio</a>
Data Converters	<a href="http://dataconverter.ti.com">dataconverter.ti.com</a>	Automotive	<a href="http://www.ti.com/automotive">www.ti.com/automotive</a>
DSP	<a href="http://dsp.ti.com">dsp.ti.com</a>	Broadband	<a href="http://www.ti.com/broadband">www.ti.com/broadband</a>
Interface	<a href="http://interface.ti.com">interface.ti.com</a>	Digital Control	<a href="http://www.ti.com/digitalcontrol">www.ti.com/digitalcontrol</a>
Logic	<a href="http://logic.ti.com">logic.ti.com</a>	Military	<a href="http://www.ti.com/military">www.ti.com/military</a>
Power Mgmt	<a href="http://power.ti.com">power.ti.com</a>	Optical Networking	<a href="http://www.ti.com/opticalnetwork">www.ti.com/opticalnetwork</a>
Microcontrollers	<a href="http://microcontroller.ti.com">microcontroller.ti.com</a>	Security	<a href="http://www.ti.com/security">www.ti.com/security</a>
Low Power Wireless	<a href="http://www.ti.com/lpw">www.ti.com/lpw</a>	Telephony	<a href="http://www.ti.com/telephony">www.ti.com/telephony</a>
		Video & Imaging	<a href="http://www.ti.com/video">www.ti.com/video</a>
		Wireless	<a href="http://www.ti.com/wireless">www.ti.com/wireless</a>

Mailing Address: Texas Instruments  
Post Office Box 655303 Dallas, Texas 75265

Copyright 2006, Texas Instruments Incorporated

## Little Logic

Series	Supply Voltage V <sub>CC</sub> (V)	Operating Free-air Temperature T <sub>a</sub> (°C)
SN74AUP1G	0.8~3.6	-40~85
SN74AUC1G/2G/3G	0.8~2.7	-40~85
SN74LVC1G/2G/3G	1.65~5.5	-40~85
SN74AHC1G	2.0~5.5	-40~85
SN74AHCT1G	4.5~5.5	-40~85

## GATE/OCTAL/Widebus™/Widebus+

Series	Supply Voltage V <sub>CC</sub> (V)	Operating Free-air Temperature T <sub>a</sub> (°C)
SN74ABT	4.5~5.5	-40~85
SN64BCT	4.5~5.5	-40~85
SN74BCT SN74F SN74ALS SN74AS	4.5~5.5	0~70
SN74LS SN74S SN74xx(TTL)	4.75~5.25	0~70
SN74AC SN74AC11xxx SN74AHC	2.0~5.5	-40~85
SN74HC	2.0~6.0	-40~85
SN74LV	2.0~5.5	-40~85
SN74LVC	2.0~3.6	-40~85
SN74LVT	2.7~3.6	-40~85
SN74ALVC	1.65~3.6	-40~85
SN74ALVT	2.3~3.6	-40~85
SN74AVC	1.4~3.6	-40~85
SN74AUC	0.8~2.7	-40~85

UNLESS OTHERWISE NOTED this document contains PRODUCTION DATA information current as of publication date. Products conform to specifications per the terms of Texas Instruments standard warranty.

Production processing does not necessarily include testing of all parameters.

See [[www.ti.com/sc/logic](http://www.ti.com/sc/logic)] for the most current data sheets.



# INDEX



TTL CMOS SN74 BiCMOS		Page
Device	Function	
1T45	SINGLE-BIT DUAL-SUPPLY BUS TRANSCIEVER WITH CONFIGURABLE VOLTAGE TRANSLATION AND 3-STATE OUTPUTS	23
1T57	SINGLE-SUPPLY VOLTAGE-LEVEL TRANSLATOR WITH NINE CONFIGURABLE GATE LOGIC FUNCTIONS	27
1T58	SINGLE-SUPPLY VOLTAGE-LEVEL TRANSLATOR WITH NINE CONFIGURABLE GATE LOGIC FUNCTIONS	28
1T97	SINGLE-SUPPLY VOLTAGE-LEVEL TRANSLATOR WITH NINE CONFIGURABLE GATE LOGIC FUNCTION	29
1T98	SINGLE-SUPPLY VOLTAGE-LEVEL TRANSLATOR WITH NINE CONFIGURABLE GATE LOGIC FUNCTIONS	30
2T45	DUAL-BIT DUAL-SUPPLY BUS TRANSCIEVER WITH CONFIGURABLE VOLTAGE TRANSLATION AND 3-STATE OUTPUTS	31
4T245	4-BIT DUAL-SUPPLY BUS TRANSCIEVER WITH CONFIGURABLE VOLTAGE TRANSLATION AND 3-STATE OUTPUTS	35
8T245	8-BIT DUAL-SUPPLY BUS TRANSCIEVER WITH CONFIGURABLE VOLTAGE TRANSLATION AND 3-STATE OUTPUTS	37
16T245	16-BIT DUAL-SUPPLY BUS TRANSCIEVER WITH CONFIGURABLE VOLTAGE TRANSLATION AND 3-STATE OUTPUTS	41
20T245	20-BIT DUAL-SUPPLY BUS TRANSCIEVER WITH CONFIGURABLE VOLTAGE TRANSLATION AND 3-STATE OUTPUTS	45
24T245	24-BIT DUAL-SUPPLY BUS TRANSCIEVER WITH CONFIGURABLE VOLTAGE TRANSLATION AND 3-STATE OUTPUTS	47
32T245	32-BIT DUAL-SUPPLY BUS TRANSCIEVER WITH CONFIGURABLE VOLTAGE TRANSLATION AND 3-STATE OUTPUTS WITH 3-STATE DESELECTED OUTPUT	50
406	MMC, SD CARD, MEMORY STICK, SMARTMEDIA, AND XD-PICTURE CARD $\pm 15$ -KV ESD-PROTECTED VOLTAGE-TRANSLATION TRANSCIEVER	53
406L	MMC, SD CARD, MEMORY STICK, SMARTMEDIA, AND XD-PICTURE CARD $\pm 15$ -KV ESD-PROTECTED VOLTAGE-TRANSLATION TRANSCIEVER	58
3245	OCTAL BUS TRANSCIEVER WITH ADJUSTABLE OUTPUT VOLTAGE AND 3-STATE OUTPUTS	61
4245	OCTAL BUS TRANSCIEVER AND 3.3-V TO 5-V SHIFTER WITH 3-STATE OUTPUTS (SN74LVC4245A)	62
4320	LOW-POWER, DUAL-SUPPLY, LEVEL-TRANSLATING CompactFlash™ INTERFACE WITH 16-BIT DATA, 11-BIT ADDRESS, AND 13-BIT CONTROL LINES	63
164245	16-BIT TRANSCIEVER AND 3.3-V TO 5-V SHIFTER WITH 3-STATE OUTPUTS	67
324245	32-BIT DUAL-SUPPLY BUS TRANSCIEVER WITH CONFIGURABLE VOLTAGE TRANSLATION AND 3-STATE OUTPUTS	69
1G00	SINGLE 2-INPUT POSITIVE-NAND GATE	91
1G02	SINGLE 2-INPUT POSITIVE-NOR GATE	91
1G04	SINGLE INVERTER GATE	92
1GU04	SINGLE INVERTER	92
1GX04	CRYSTAL OSCILLATOR DRIVER	93
1G06	SINGLE INVERTER BUFFER/DRIVER WITH OPEN-DRAIN OUTPUT	94
1G07	SINGLE BUFFER/DRIVER WITH OPEN-DRAIN OUTPUT	94
1G08	SINGLE 2-INPUT POSITIVE-AND GATE	95
1G10	SINGLE 3-INPUT POSITIVE-NAND GATE	95
1G11	SINGLE 3-INPUT POSITIVE-AND GATE	96
1G14	SINGLE SCHMITT-TRIGGER INVERTER GATE	96

TTL CMOS SN74 BiCMOS		Page
Device	Function	
1G17	SINGLE SCHMITT-TRIGGER BUFFER	97
1G18	1-OF-2 NONINVERTING DEMULTIPLEXER WITH 3-STATE DESELECTED OUTPUT	97
1G19	1-OF-2 DECODER/DEMUTIPLEXER	98
1G27	3-INPUT POSITIVE-NOR GATE	98
1G29	2-OF-3 DECODER/DEMUTIPLEXER	99
1G32	SINGLE 2-INPUT POSITIVE-OR GATE	100
1G34	SINGLE BUFFER GATE	100
1G38	SINGLE 2-INPUT NAND GATE WITH OPEN-DRAIN OUTPUT	101
1G57	CONFIGURABLE MULTIPLE-FUNCTION GATE	101
1G58	CONFIGURABLE MULTIPLE-FUNCTION GATE	102
1G66	SINGLE BILATERAL ANALOG SWITCH	102
1G74	SINGLE POSITIVE-EDGE-TRIGGERED D-TYPE FLIP-FLOP WITH CLEAR AND PRESET	103
1G79	SINGLE POSITIVE-EDGE-TRIGGERED D-TYPE FLIP-FLOP	104
1G80	SINGLE POSITIVE-EDGE-TRIGGERED D-TYPE FLIP-FLOP	105
1G86	SINGLE 2-INPUT EXCLUSIVE-OR GATE	106
1G97	CONFIGURABLE MULTIPLE-FUNCTION GATE	106
1G98	CONFIGURABLE MULTIPLE-FUNCTION GATE	107
1G99	SINGLE RETRIGGERABLE MONOSTABLE MULTIVIBRATOR WITH SCHMITT-TRIGGER INPUTS	108
1G123	SINGLE RETRIGGERABLE MONOSTABLE MULTIVIBRATOR WITH SCHMITT-TRIGGER INPUTS	109
1G125	SINGLE BUS BUFFER GATE WITH 3-STATE OUTPUT	110
1G126	SINGLE BUS BUFFER GATE WITH 3-STATE OUTPUT	110
1G132	SINGLE 2-INPUT NAND GATE WITH SCHMITT-TRIGGER INPUTS	111
1G139	2-TO-4 LINE DECODER	112
1G175	SINGLE D-TYPE FLIP-FLOP WITH ASYNCHRONOUS CLEAR	113
1G240	SINGLE BUFFER/DRIVER WITH 3-STATE OUTPUT	114
1G332	SINGLE 3-INPUT POSITIVE-OR GATE	114
1G373	SINGLE D-TYPE LATCH WITH 3-STATE OUTPUT	115
1G374	SINGLE D-TYPE FLIP-FLOP WITH 3-STATE OUTPUT	116
1G386	SINGLE 3-INPUT EXCLUSIVE-XOR GATE	117
1G0832	SINGLE 3-INPUT POSITIVE AND-OR GATE	117
1G3157	SINGLE-POLE, DOUBLE-THROW ANALOG SWITCH	118
1G3208	SINGLE 3-INPUT POSITIVE OR-AND GATE	119
2G000	DUAL 2-INPUT POSITIVE-NAND GATE	120
2G02	DUAL 2-INPUT POSITIVE-NOR GATE	120
2G04	DUAL INVERTER GATE	121
2GU04	DUAL INVERTER GATE	121
2G06	DUAL INVERTER BUFFER/DRIVER WITH OPEN-DRAIN OUTPUTS	122
2G07	DUAL BUFFER/DRIVER WITH OPEN-DRAIN OUTPUTS	122
2G08	DUAL 2-INPUT POSITIVE-AND GATE	123
2G14	DUAL INVERTER GATE	123
2G17	DUAL SCHMITT-TRIGGER BUFFER	124
2G32	DUAL 2-INPUT POSITIVE-OR GATE	124
2G34	DUAL INVERTER GATE	125
2G38	SINGLE 2-INPUT NAND GATE WITH OPEN-DRAIN OUTPUT	125
2G53	SINGLE-POLE DOUBLE-THROW (SPDT) ANALOG SWITCH OR 2:1 ANALOG MULTIPLEXER/DEMUTIPLEXER	126
2G66	DUAL BILATERAL ANALOG SWITCH	126
2G74	SINGLE POSITIVE-EDGE-TRIGGERED D-TYPE FLIP-FLOP WITH CLEAR AND PRESET	127



TTL CMOS SN74 BiCMOS		Page
Device	Function	
2G79	DUAL POSITIVE-EDGE-TRIGGERED D-TYPE FLIP-FLOP	128
2G80	DUAL POSITIVE-EDGE-TRIGGERED D-TYPE FLIP-FLOP	129
2G86	DUAL 2-INPUT EXCLUSIVE-OR GATE	130
2G125	DUAL BUS BUFFER GATE WITH 3-STATE OUTPUTS	130
2G126	DUAL BUS BUFFER GATE WITH 3-STATE OUTPUTS	131
2G132	SINGLE 2-INPUT NAND GATE WITH OPEN-DRAIN OUTPUT	131
2G157	SINGLE 2-LINE TO 1-LINE DATA SELECTOR/MULTIPLEXER	132
2G240	DUAL BUFFERS/DRIVERS WITH 3-STATE OUTPUTS	133
2G241	DUAL BUFFER/DRIVER WITH 3-STATE OUTPUTS	133
3G04	TRIPLE INVERTER GATE	134
3GU04	TRIPLE INVERTER GATE	134
3G06	TRIPLE INVERTER BUFFER/DRIVER WITH OPEN-DRAIN OUTPUTS	135
3G07	TRIPLE BUFFER/DRIVER WITH OPEN-DRAIN OUTPUTS	135
3G14	TRIPLE SCHMITT-TRIGGER INVERTER	136
3G17	TRIPLE SCHMITT-TRIGGER BUFFER	136
3G34	TRIPLE BUFFER GATE	137
00	QUADRUPLE 2-INPUT POSITIVE-NAND GATES	231
01	QUADRUPLE 2-INPUT POSITIVE-NAND GATES WITH OPEN-COLLECTOR OUTPUTS	232
02	QUADRUPLE 2-INPUT POSITIVE-NOR GATES	233
03	QUADRUPLE 2-INPUT POSITIVE-NAND GATES WITH OPEN-COLLECTOR OUTPUTS	234
04	HEX INVERTERS	235
U04	HEX INVERTERS	236
05	HEX INVERTERS WITH OPEN-DRAIN OUTPUTS	236
06	HEX INVERTER BUFFERS/DRIVERS WITH OPEN-DRAIN OUTPUTS	237
07	HEX BUFFERS/DRIVERS WITH OPEN-DRAIN OUTPUTS	237
08	QUADRUPLE 2-INPUT POSITIVE-AND GATES	238
09	QUADRUPLE 2-INPUT POSITIVE-AND GATES WITH OPEN-COLLECTOR OUTPUTS	239
10	TRIPLE 3-INPUT POSITIVE-NAND GATES	240
11	TRIPLE 3-INPUT POSITIVE-AND GATES	241
14	HEX SCHMITT-TRIGGER INVERTERS	242
16	HEX INVERTER BUFFERS/DRIVERS WITH OPEN-COLLECTOR HIGH-VOLTAGE OUTPUTS	243
17	HEX SCHMITT-TRIGGER BUFFER	243
19	HEX SCHMITT-TRIGGER INVERTERS	244
20	DUAL 4-INPUT POSITIVE-NAND GATES	245
21	DUAL 4-INPUT POSITIVE-AND GATES	246
25	DUAL 4-INPUT POSITIVE-NOR GATES WITH STROBE	246
26	QUADRUPLE 2-INPUT HIGH-VOLTAGE INTERFACE POSITIVE-NAND GATES	247
27	TRIPLE 3-INPUT POSITIVE-NOR GATES	247
30	8-INPUT POSITIVE-NAND GATES	248
31	DELAY ELEMENTS	248
32	QUADRUPLE 2-INPUT POSITIVE-OR GATES	249
33	QUADRUPLE 2-INPUT POSITIVE-NOR BUFFERS WITH OPEN-COLLECTOR OUTPUTS	250
34	HEX BUFFER GATE	250
35	HEX NONINVERTERS WITH OPEN-COLLECTOR OUTPUTS	251
37	QUADRUPLE 2-INPUT POSITIVE-NAND BUFFERS	252
38	QUADRUPLE 2-INPUT POSITIVE-NAND BUFFERS WITH OPEN-COLLECTOR OUTPUTS	253

TTL CMOS SN74 BiCMOS		Page
Device	Function	
42	4-LINE-TO-10-LINE DECODERS (1 of 10)	254
45	BCD-TO-DECIMAL DECODERS/DRIVERS	256
47	BCD-TO-SEVEN-SEGMENT DECODERS/DRIVERS	258
51	AND-OR-INVERT GATES	260
64	4-2-3-2 INPUT AND-OR INVERT GATES	261
73	DUAL J-K FLIP-FLOPS WITH CLEAR	262
74	DUAL D-TYPE POSITIVE-EDGE-TRIGGERED FLIP-FLOPS WITH CLEAR AND PRESET	264
75	4-BIT BISTABLE LATCHES	266
85	4-BIT MAGNITUDE COMPARATORS	267
86	QUADRUPLE 2-INPUT EXCLUSIVE-OR GATES	268
90	DECADE COUNTER	269
92	DIVIDE-BY-TWELVE DECODE COUNTERS	270
93	4-BIT BINARY COUNTERS	271
97	SYNCHRONOUS 6-BIT BINARY RATE MULTIPLIERS	272
107	DUAL J-K FLIP-FLOPS WITH CLEAR	274
109	DUAL J-K POSITIVE-EDGE-TRIGGERED FLIP-FLOPS WITH CLEAR AND PRESET	276
112	DUAL J-K NEGATIVE-EDGE-TRIGGERED FLIP-FLOPS WITH CLEAR AND PRESET	278
121	MONOSTABLE MULTIVIBRATORS WITH SCHMITT-TRIGGER INPUTS	280
122	RETRIGGERABLE MONOSTABLE MULTIVIBRATORS	281
123	DUAL RETRIGGERABLE MONOSTABLE MULTIVIBRATORS WITH SCHMITT-TRIGGER INPUTS	282
124	DUAL VOLTAGE-CONTROLLED OSCILLATORS	283
125	QUADRUPLE BUS BUFFER GATES WITH 3-STATE OUTPUTS	284
126	QUADRUPLE BUS BUFFER GATES WITH 3-STATE OUTPUTS	285
128	50-Ω LINE DRIVER	286
132	QUADRUPLE POSITIVE-NAND GATES WITH SCHMITT TRIGGER INPUTS	286
133	13-INPUT POSITIVE-NAND GATES	287
136	QUADRUPLE 2-INPUT EXCLUSIVE-OR GATES WITH OPEN COLLECTOR OUTPUTS	287
137	3-LINE TO 8-LINE DECODERS/DEMULTIPLERS WITH ADDRESS LATCHES	288
138	3-LINE TO 8-LINE DECODERS/DEMULTIPLERS	290
139	DUAL 2-LINE TO 4-LINE DECODERS/DEMULTIPLERS	292
140	DUAL 4-INPUT POSITIVE-NAND 50-Ω LINE DRIVERS	294
145	BCD-TO-DECIMAL DECODERS/DRIVERS	295
147	10-LINE TO 4-LINE BCD PRIORITY ENCODER	296
148	8-LINE TO 3-LINE PRIORITY ENCODERS	298
150	16-LINE TO 1-LINE DATA SELECTOR/MULTIPLEXER	300
151	8-LINE TO 1-LINE DATA SELECTORS/MULTIPLEXERS	302
153	DUAL 4-LINE TO 1-LINE DATA SELECTORS/MULTIPLEXERS	304
154	4-LINE TO 16-LINE DECODERS/DEMULTIPLERS	306
155	DUAL 2-LINE TO 4-LINE DECODERS/DEMULTIPLERS	308
156	DUAL 2-LINE TO 4-LINE DECODERS/DEMULTIPLERS WITH OPEN-COLLECTOR OUTPUTS	310
157	QUADRUPLE 2-LINE TO 1-LINE DATA SELECTORS/MULTIPLEXERS	312
158	QUADRUPLE 2-LINE TO 1-LINE DATA SELECTORS/MULTIPLEXERS	314
159	4-LINE TO 16-LINE DECODERS/DEMULTIPLERS WITH OPEN-COLLECTOR OUTPUTS	316
161	4-BIT SYNCHRONOUS BINARY COUNTERS	318

TTL CMOS SN74 BiCMOS		Page
Device	Function	
163	4-BIT SYNCHRONOUS BINARY COUNTERS	320
164	8-BIT PARALLEL-OUT SERIAL SHIFT REGISTERS	322
165	PARALLEL-LOAD 8-BIT SHIFT REGISTERS	324
166	8-BIT PARALLEL-LOAD SHIFT REGISTERS	326
169	SYNCHRONOUS 4-BIT UP/DOWN BINARY COUNTERS	328
170	4-BY-4-REGISTER FILES WITH OPEN-COLLECTOR OUTPUTS	330
173	4-BIT D-TYPE REGISTERS WITH 3-STATE OUTPUTS	332
174	HEX D-TYPE FLIP-FLOPS WITH CLEAR	334
175	QUADRUPLE D-TYPE FLIP-FLOPS WITH CLEAR	335
181	ARITHMETIC LOGIC UNITS/FUNCTION GENERATORS	336
182	LOOK-AHEAD CARRY GENERATOR	338
190	SYNCHRONOUS 4-BIT UP/DOWN DECADE AND BINARY COUNTERS	340
191	4-BIT SYNCHRONOUS UP/DOWN BINARY COUNTERS	342
192	PRESETTABLE SYNCHRONOUS 4-BIT UP/DOWN COUNTERS	344
193	4-BIT SYNCHRONOUS UP/DOWN COUNTERS (DUAL CLOCK WITH CLEAR)	346
194	4-BIT BIDIRECTIONAL UNIVERSAL SHIFT REGISTERS	348
195	4-BIT PARALLEL-ACCESS SHIFT REGISTERS	350
221	DUAL MONOSTABLE MULTIVIBRATORS WITH SCHMITT-TRIGGER INPUTS	352
237	3-LINE TO 8-LINE DECODERS/DEMULTIPLEXERS WITH ADDRESS LATCHES	354
238	3-LINE TO 8-LINE DECODERS/DEMULTIPLEXERS	356
240	OCTAL BUFFERS/DRIVERS WITH 3-STATE OUTPUTS	358
241	OCTAL BUFFERS/DRIVERS WITH 3-STATE OUTPUTS	360
243	QUADRUPLE BUS TRANSCIEVERS WITH 3-STATE OUTPUTS	362
244	OCTAL BUFFERS/DRIVERS WITH 3-STATE OUTPUTS	364
245	OCTAL BUS TRANSCIEVERS WITH 3-STATE OUTPUTS	366
247	BCD-TO-SEVEN-SEGMENT DECODERS/DRIVERS	368
250	1-OF-16 DATA GENERATORS/MULTIPLEXERS WITH 3-STATE OUTPUTS	370
251	DATA SELECTORS/MULTIPLEXERS WITH 3-STATE OUTPUTS	372
253	DUAL 4-LINE TO 1-LINE DATA SELECTORS/MULTIPLEXERS WITH 3-STATE OUTPUTS	374
257	QUADRUPLE 2-LINE TO 1-LINE DATA SELECTORS/MULTIPLEXERS WITH 3-STATE OUTPUTS	376
258	QUADRUPLE 4-LINE TO 1-LINE DATA SELECTORS/MULTIPLEXERS WITH 3-STATE OUTPUTS	378
259	8-BIT ADDRESSABLE LATCHES	380
260	DUAL 5-INPUT POSITIVE-NOR GATES	382
265	QUADRUPLE COMPLEMENTARY-OUTPUT ELEMENTS	382
266	QUADRUPLE 2-INPUT EXCLUSIVE-NOR GATES WITH OPEN-DRAIN OUTPUTS	383
273	OCTAL D-TYPE FLIP-FLOPS WITH CLEAR	384
276	QUADRUPLE J-K FLIP-FLOPS	386
279	QUADRUPLE S-R LATCHES	387
280	9-BIT PARITY GENERATORS/CHECKERS	388
283	4-BIT BINARY FULL ADDERS WITH FAST CARRY	390
286	9-BIT ODD/EVEN PARITY GENERATORS/CHECKERS WITH BUS DRIVER PARITY I/O PORT	392
292	PROGRAMMABLE FREQUENCY DIVIDERS/DIGITAL TIMERS	394
293	4-BIT BINARY COUNTERS	396

TTL CMOS SN74 BiCMOS		Page
Device	Function	
294	PROGRAMMABLE FREQUENCY DIVIDERS/DIGITAL TIMERS	398
297	DIGITAL PHASE-LOCKED-LOOP FILTERS	400
298	QUADRUPLE 2-INPUT MULTIPLEXERS WITH STORAGE	402
299	8-BIT UNIVERSAL SHIFT/STORAGE REGISTERS WITH 3-STATE OUTPUTS	404
321	CRYSTAL-CONTROLLED OSCILLATORS	406
323	8-BIT UNIVERSAL SHIFT/STORAGE REGISTERS WITH SYNCHRONOUS CLEAR AND 3-STATE OUTPUTS	408
348	8-LINE TO 3-LINE PRIORITY ENCODERS WITH 3-STATE OUTPUTS	410
354	8-LINE TO 1-LINE DATA SELECTORS/MULTIPLEXERS/TRANSPARENT/REGISTERS WITH 3-STATE OUTPUTS	412
356	8-INPUT MULTIPLEXER/REGISTERS 3-STATE	414
365	HEX BUFFERS AND LINE DRIVERS WITH 3-STATE OUTPUTS	416
366	HEX BUFFERS AND LINE DRIVERS WITH 3-STATE OUTPUTS	417
367	HEX BUFFERS AND LINE DRIVERS WITH 3-STATE OUTPUTS	418
368	HEX INVERTING BUFFERS AND LINE DRIVERS WITH 3-STATE OUTPUTS	419
373	OCTAL TRANSPARENT D-TYPE LATCHES WITH 3-STATE OUTPUTS	420
374	OCTAL EDGE-TRIGGERED D-TYPE FLIP-FLOPS WITH 3-STATE OUTPUTS	422
375	4-BIT BISTABLE LATCHES	424
377	OCTAL D-TYPE FLIP-FLOPS WITH CLOCK ENABLE	425
378	HEX D-TYPE FLIP-FLOPS WITH CLOCK ENABLE	426
390	DUAL 4-BIT DECADE COUNTERS	427
393	DUAL 4-BIT BINARY COUNTERS	428
395	CASCADABLE SHIFT REGISTERS	429
399	QUADRUPLE 2-INPUT MULTIPLEXERS WITH STORAGE	430
423	RETRIGGERABLE MONOSTABLE MULTIVIBRATORS	431
442	QUADRUPLE TRIDIRECTIONAL BUS TRANSCIEVERS	432
465	OCTAL BUFFERS WITH 3-STATE OUTPUTS	433
518	OCTAL BINARY/BCD IDENTITY COMPARATORS WITH ENABLE	433
520	OCTAL BINARY/BCD IDENTITY COMPARATORS WITH ENABLE	434
521	8-BIT IDENTITY COMPARATORS WITH OPEN-COLLECTOR OUTPUTS	435
533	OCTAL TRANSPARENT D-TYPE LATCHES WITH 3-STATE OUTPUTS	436
534	OCTAL EDGE-TRIGGERED D-TYPE FLIP-FLOPS WITH 3-STATE OUTPUTS	437
540	OCTAL BUFFERS/DRIVERS WITH 3-STATE OUTPUTS	438
541	OCTAL BUFFERS/DRIVERS WITH 3-STATE OUTPUTS	439
543	OCTAL REGISTERED TRANSCIEVERS WITH 3-STATE OUTPUTS	440
561	SYNCHRONOUS 4-BIT COUNTERS WITH 3-STATE OUTPUTS	442
563	OCTAL D-TYPE TRANSPARENT LATCHES WITH 3-STATE OUTPUTS	444
564	OCTAL D-TYPE EDGE-TRIGGERED FLIP-FLOPS WITH 3-STATE OUTPUTS	445
569	SYNCHRONOUS 4-BIT UP/DOWN BINARY COUNTERS WITH 3-STATE OUTPUTS	446
573	OCTAL TRANSPARENT D-TYPE LATCHES WITH 3-STATE OUTPUTS	448
574	OCTAL EDGE-TRIGGERED D-TYPE FLIP-FLOPS WITH 3-STATE OUTPUTS	450
575	OCTAL D-TYPE EDGE-TRIGGERED FLIP-FLOPS WITH 3-STATE OUTPUTS	452
576	OCTAL D-TYPE EDGE-TRIGGERED FLIP-FLOPS WITH 3-STATE OUTPUTS	453

TTL CMOS SN74 BiCMOS		Page
Device	Function	
577	OCTAL D-TYPE EDGE-TRIGGERED FLIP-FLOPS WITH 3-STATE OUTPUTS	454
580	OCTAL D-TYPE TRANSPARENT LATCHES WITH 3-STATE OUTPUTS	455
590	8-BIT BINARY COUNTERS WITH 3-STATE OUTPUT REGISTERS	456
592	8-BIT BINARY COUNTERS WITH INPUT REGISTERS	458
593	8-BIT BINARY COUNTERS WITH INPUT REGISTERS	460
594	8-BIT SHIFT REGISTERS WITH OUTPUT REGISTERS	462
595	8-BIT SHIFT REGISTERS WITH 3-STATE OUTPUT REGISTERS	464
596	8-BIT SHIFT REGISTERS WITH OUTPUT LATCHES	466
597	SERIAL-OUT SHIFT REGISTERS WITH INPUT LATCHES	468
598	8-BIT SHIFT REGISTERS WITH INPUT LATCHES	470
620	OCTAL BUS TRANSCIEVERS WITH 3-STATE OUTPUTS	472
621	OCTAL BUS TRANSCIEVERS	473
623	OCTAL BUS TRANSCIEVERS WITH 3-STATE OUTPUTS	474
624	VOLTAGE-CONTROLLED OSCILLATORS	475
628	VOLTAGE-CONTROLLED OSCILLATORS	476
629	DUAL VOLTAGE-CONTROLLED OSCILLATORS	477
638	OCTAL BUS TRANSCIEVERS	478
639	OCTAL BUS TRANSCIEVERS	479
640	OCTAL BUS TRANSCIEVERS WITH 3-STATE OUTPUTS	480
641	OCTAL BUS TRANSCIEVERS WITH OPEN-COLLECTOR OUTPUTS	481
642	OCTAL BUS TRANSCIEVERS WITH OPEN-COLLECTOR OUTPUTS	482
645	OCTAL BUS TRANSCIEVERS WITH 3-STATE OUTPUTS	483
646	OCTAL BUS TRANSCIEVERS AND REGISTERS WITH 3-STATE OUTPUTS	484
647	OCTAL BUS TRANSCIEVERS AND REGISTERS	486
648	OCTAL BUS TRANSCIEVERS AND REGISTERS	488
651	OCTAL BUS TRANSCIEVERS AND REGISTERS WITH 3-STATE OUTPUTS	490
652	OCTAL BUS TRANSCIEVERS AND REGISTERS WITH 3-STATE OUTPUTS	492
653	OCTAL BUS TRANSCIEVERS AND REGISTERS WITH 3-STATE OUTPUTS	494
654	OCTAL BUS TRANSCIEVERS AND REGISTERS WITH 3-STATE OUTPUTS	496
657	OCTAL BUS TRANSCIEVERS WITH PARITY GENERATORS/CHECKERS AND 3-STATE OUTPUTS	498
666	8-BIT D-TYPE TRANSPARENT READ-BACK LATCHES WITH 3-STATE OUTPUTS	500
667	8-BIT D-TYPE TRANSPARENT READ-BACK LATCHES WITH 3-STATE OUTPUTS	501
669	SYNCHRONOUS 4-BIT UP/DOWN COUNTERS	502
670	4-BY-4 REGISTER FILES WITH 3-STATE OUTPUTS	504
673	16-BIT SHIFT REGISTERS	506
674	16-BIT SHFT REGISTERS	508
679	12-BIT ADDRESS COMPARATOR	510
682	8-BIT MAGNITUDE COMPARATORS	512
684	8-BIT MAGNITUDE COMPARATORS	514
686	8-BIT MAGNITUDE/IDENTITY COMPARATORS	516
688	8-BIT IDENTITY COMPARATORS	518
697	SYNCHRONOUS UP/DOWN COUNTERS WITH OUTPUT REGISTERS AND MULTIPLEXED 3-STATE OUTPUTS	520

TTL CMOS SN74 BiCMOS		Page
Device	Function	
699	SYNCHRONOUS UP/DOWN COUNTERS WITH OUTPUT REGISTERS AND MULTIPLEXED 3-STATE OUTPUTS	522
756	OCTAL BUFFER/DRIVER WITH OPEN-COLLECTOR OUTPUTS	524
757	OCTAL BUFFER/DRIVER WITH OPEN-COLLECTOR OUTPUTS	525
760	OCTAL BUFFERS/DRIVERS WITH OPEN-COLLECTOR OUTPUTS	526
804	HEX 2-INPUT NAND DRIVERS	527
805	HEX 2-INPUT NOR DRIVERS	528
808	HEX 2-INPUT AND DRIVERS	528
821	10-BIT BUS-INTERFACE FLIP FLOPS WITH 3-STATE OUTPUTS	529
823	9-BIT BUS-INTERFACE FLIP-FLOPS WITH 3-STATE OUTPUTS	530
825	8-BIT BUS-INTERFACE FLIP-FLOPS WITH 3-STATE OUTPUTS	531
827	10-BIT BUFFERS/DRIVERS WITH 3-STATE OUTPUTS	532
828	10-BIT BUFFERS/DRIVERS WITH 3-STATE OUTPUTS	532
832	HEX 2-INPUT OR DRIVERS	533
833	8-BIT TO 9-BIT PARITY BUS TRANSCIEVERS	534
841	10-BIT BUS-INTERFACE D-TYPE LATCHES WITH 3-STATE OUTPUTS	536
843	9-BIT BUS-INTERFACE D-TYPE LATCHES WITH 3-STATE OUTPUTS	537
853	8-BIT TO 9-BIT PARITY BUS TRANSCIEVERS	538
857	HEX 2-TO-1 UNIVERSAL MULTIPLEXERS WITH 3-STATE OUTPUTS	540
861	10-BIT TRANSCIEVERS WITH 3-STATE OUTPUTS	542
863	9-BIT BUS TRANSCIEVERS WITH 3-STATE OUTPUTS	543
867	SYNCHRONOUS 8-BIT UP/DOWN COUNTERS	544
869	SYNCHRONOUS 8-BIT UP/DOWN COUNTERS	546
870	DUAL 16-BY 4-BIT REGISTER FILES	548
873	DUAL 4-BIT D-TYPE LATCHES WITH 3-STATE OUTPUTS	550
874	DUAL 4-BIT D-TYPE EDGE-TRIGGERED FLIP-FLOPS WITH 3-STATE OUTPUTS	551
876	DUAL 4-BIT D-TYPE EDGE-TRIGGERED FLIP-FLOPS WITH 3-STATE OUTPUTS	552
885	8-BIT MAGNITUDE COMPARATORS	554
990	8-BIT D-TYPE TRANSPARENT READ-BACK LATCH	556
992	9-BIT D-TYPE TRANSPARENT READ-BACK LATCH WITH 3-STATE OUTPUTS	557
994	10-BIT D-TYPE TRANSPARENT READ-BACK LATCH	558
996	8-BIT D-TYPE EDGE-TRIGGERED READ-BACK LATCHES	559
1000	QUADRUPLE 2-INPUT POSITIVE-NAND BUFFERS/DRIVERS	560
1004	HEX INVERTING DRIVERS	560
1005	HEX INVERTING BUFFERS WITH OPEN-COLLECTOR OUTPUTS	561
1008	QUADRUPLE 2-INPUT POSITIVE-AND BUFFER/DRIVER	561
1032	QUADRUPLE 2-INPUT POSITIVE-OR BUFFERS/DRIVERS	562
1034	HEX DRIVERS	562
1035	HEX NONINVERTING BUFFERS WITH OPEN-COLLECTOR OUTPUTS	563
1240	OCTAL BUFFER AND LINE DRIVER WITH 3-STATE OUTPUTS	563
1244	OCTAL BUFFERS AND DRIVERS WITH 3-STATE OUTPUTS	564
1245	OCTAL BUS TRANSCIEVERS WITH 3-STATE OUTPUTS	564
1404	OSCILLATOR DRIVER FOR CRYSTAL OSCILLATOR OR CERAMIC RESONATOR	565
1640	OCTAL BUS TRANSCIEVERS WITH 3-STATE OUTPUTS	566
1645	OCTAL BUS TRANSCIEVERS WITH 3-STATE OUTPUTS	567
2240	OCTAL BUFFERS AND LINE/MOS DRIVERS WITH 3-STATE OUTPUTS	568

TTL CMOS SN74 BiCMOS		Page
Device	Function	
2241	OCTAL BUFFERS AND LINE/MOS DRIVERS WITH 3-STATE OUTPUTS	569
2244	OCTAL BUFFERS AND LINE/MOS DRIVERS WITH 3-STATE OUTPUTS	570
2245	OCTAL TRANSCIEVER AND LINE/MOS DRIVERS WITH 3-STATE OUTPUTS	571
2373	25-W OCTAL TRANSPARENT D-TYPE LATCH WITH 3-STATE OUTPUTS	572
2414	MEMORY DECODER WITH ON-CHIP SUPPLY VOLTAGE MONITOR	573
2541	OCTAL LINE DRIVER/MOS DRIVER WITH 3-STATE OUTPUTS	574
2827	10-BIT BUFFERS/DRIVERS WITH 3-STATE OUTPUTS	574
2828	10-BIT BUS/MOS MEMORY DRIVERS WITH 3-STATE INVERTING	575
2952	OCTAL BUS TRANSCIEVERS AND REGISTERS WITH 3-STATE OUTPUTS	576
2953	OCTAL BUS TRANSCIEVER AND REGISTER WITH 3-STATE OUTPUTS	578
4002	DUAL 4-INPUT POSITIVE-NOR GATES	579
4015	DUAL 4-STAGE STATIC SHIFT REGISTER	580
4016	QUAD BILATERAL SWITCH	581
4017	DECADE COUNTERS/DIVIDER	582
4020	14-STAGE BINARY COUNTERS	583
4024	7-STAGE BINARY COUNTERS	584
4040	12-STAGE BINARY COUNTERS	585
4046	PHASE-LOCKED-LOOP WITH VCO	586
4049	HEX INVERTING BUFFERS	588
4050	HEX NON-INVERTING BUFFERS	588
4051	8-CHANNEL ANALOG MULTIPLEXERS/DEMUTIPLEXERS	589
4052	DUAL 4-CHANNEL ANALOG MULTIPLEXERS/DEMUTIPLEXERS	590
4053	TRIPLE 2-CHANNEL ANALOG MULTIPLEXERS/DEMUTIPLEXERS	591
4059	CMOS PROGRAMMABLE DIVIDE-BY-N COUNTER	592
4060	ASYNCHRONOUS 14-STAGE BINARY COUNTERS AND OSCILLATORS	593
4066	QUADRUPLE BILATERAL SWITCHES	594
4067	16-CHANNEL ANALOG MULTIPLEXER/DEMUTIPLEXER	595
4075	TRIPLE 3-INPUT OR GATES	596
4094	8-STAGE SHIFT AND STORE BUS REGISTER, THREE-STATE	597
4316	QUAD ANALOG SWITCH WITH LEVEL TRANSLATION	598
4351	ANALOG MULTIPLEXERS/DEMUTIPLEXERS WITH LATCH	599
4352	ANALOG MULTIPLEXERS/DEMUTIPLEXERS WITH LATCH	600
4374	OCTAL EDGE-TRIGGERED D-TYPE DUAL-RANK FLIP-FLOP WITH 3-STATE OUTPUTS	601
4511	BCD-TO-7 SEGMENT LATCH/DECODER/DRIVERS	602
4514	4-LINE TO 16-LINE DECODERS/DEMUTIPLEXERS WITH INPUT LATCHES	604
4515	4-LINE TO 16-LINE DECODERS/DEMUTIPLEXERS WITH INPUT LATCHES	605
4518	DUAL SYNCHRONOUS COUNTERS	606
4520	DUAL SYNCHRONOUS COUNTERS	607
4538	DUAL RETRIGGERABLE PRECISION MONO STABLE MULTIVIBRATOR	608
4543	BCD-TO-7 SEGMENT LATCH/DECODER/DRIVERS	610
4851	8-CHANNEL ANALOG MULTIPLEXER/DEMUTIPLEXER WITH INJECTION-CURRENT EFFECT CONTROL	612

TTL CMOS SN74 BiCMOS		Page
Device	Function	
4852	DUAL 4-TO-1 CHANNEL ANALOG MULTIPLEXER/DEMUTIPLEXER WITH INJECTION-CURRENT EFFECT CONTROL	612
5400	11-BIT LINE/MEMORY DRIVERS WITH 3-STATE OUTPUTS	614
5401	11-BIT LINE/MEMORY DRIVERS WITH 3-STATE OUTPUTS	614
5402	12-BIT LINE/MEMORY DRIVERS WITH 3-STATE OUTPUTS	615
5403	12-BIT LINE/MEMORY DRIVERS WITH 3-STATE OUTPUTS	615
7001	QUADRUPLE POSITIVE-AND GATES WITH SCHMITT-TRIGGER INPUTS	616
7002	QUADRUPLE POSITIVE-NOR GATES WITH SCHMITT-TRIGGER INPUTS	616
7032	QUADRUPLE POSITIVE-OR GATES WITH SCHMITT-TRIGGER INPUTS	617
7046	PHASE-LOCKED LOOP WITH VCO AND LOCK DETECTOR	618
7266	QUAD 2-INPUT EXCLUSIVE-NOR GATES	619
8003	DUAL 2-INPUT POSITIVE-NAND GATES	619
16240	16-BIT BUS BUFFERS/DRIVERS WITH 3-STATE OUTPUTS	620
16241	16-BIT BUS BUFFERS/DRIVERS WITH 3-STATE OUTPUTS	622
16244	16-BIT BUS BUFFERS/DRIVERS WITH 3-STATE OUTPUTS	624
16245	16-BIT BUS TRANSCIEVER WITH 3-STATE OUTPUTS	626
16260	12-BIT TO 24-BIT MULTIPLEXED D-TYPE LATCH WITH 3-STATE OUTPUTS	628
16269	12-BIT TO 24-BIT REGISTERED BUS TRANSCIEVER WITH 3-STATE OUTPUTS	630
16270	12-BIT TO 24-BIT REGISTERED BUS EXCHANGER WITH 3-STATE OUTPUTS	632
16271	12-BIT TO 24-BIT MULTIPLEXED BUS EXCHANGER WITH 3-STATE OUTPUTS	634
16282	18-BIT TO 36-BIT REGISTERED BUS EXCHANGER WITH 3-STATE OUTPUTS	636
16334	16-BIT UNIVERSAL BUS DRIVER WITH 3-STATE OUTPUTS	638
16344	1-BIT TO 4-BIT ADDRESS DRIVER WITH 3-STATE OUTPUTS	640
16373	16-BIT TRANSPARENT LATCHES WITH 3-STATE OUTPUTS	642
16374	16-BIT EDGE-TRIGGERED D-TYPE FLIP-FLOPS WITH 3-STATE OUTPUTS	644
16409	9-BIT, 4-PORT UNIVERSAL BUS EXCHANGER WITH 3-STATE OUTPUTS	646
16460	4-TO-1 MULTIPLEXED/DEMUTIPLEXED TRANSCIEVERS WITH 3-STATE OUTPUTS	648
16470	16-BIT REGISTERED TRANSCIEVERS WITH 3-STATE OUTPUTS	650
16500	18-BIT UNIVERSAL BUS TRANSCIEVER WITH 3-STATE OUTPUTS	652
16501	18-BIT UNIVERSAL BUS TRANSCIEVER WITH 3-STATE OUTPUTS	654
16524	18-BIT REGISTERED BUS TRANSCIEVER WITH 3-STATE OUTPUTS	656
16525	18-BIT REGISTERED BUS TRANSCIEVER WITH 3-STATE OUTPUTS	658
16540	16-BIT BUFFERS/DRIVERS WITH 3-STATE OUTPUTS	660
16541	16-BIT BUFFERS/DRIVERS WITH 3-STATE OUTPUTS	661
16543	16-BIT REGISTERED TRANSCIEVERS WITH 3-STATE OUTPUTS	662
16600	18-BIT UNIVERSAL BUS TRANSCIEVERS WITH 3-STATE OUTPUTS	664
16601	18-BIT UNIVERSAL BUS TRANSCIEVERS WITH 3-STATE OUTPUTS	666
16620	16-BIT BUS TRANSCIEVERS WITH 3-STATE OUTPUTS	668
16623	16-BIT BUS TRANSCIEVERS WITH 3-STATE OUTPUTS	670
16640	16-BIT BUS TRANSCIEVER WITH 3-STATE OUTPUTS	671
16646	16-BIT BUS TRANSCIEVERS AND REGISTERS WITH 3-STATE OUTPUTS	672

<b>TTL CMOS SN74 BiCMOS</b>		<b>Page</b>
<b>Device</b>	<b>Function</b>	
16651	16-BIT BUS TRANSCEIVERS AND REGISTERS WITH 3-STATE OUTPUTS	674
16652	16-BIT BUS TRANSCEIVERS AND REGISTERS WITH 3-STATE OUTPUTS	676
16657	16-BIT TRANSCEIVERS WITH PARITY GENERATORS/CHECKERS AND 3-STATE OUTPUTS	678
16721	20-BIT FLIP-FLOP WITH 3-STATE OUTPUTS	680
16722	22-BIT FLIP-FLOP WITH 3-STATE OUTPUTS	681
16820	10-BIT EDGE-TRIGGERED D-TYPE FLIP-FLOPS WITH DUAL OUTPUTS	682
16821	20-BIT BUS INTERFACE FLIP-FLOPS WITH 3-STATE OUTPUTS	683
16823	18-BIT EDGE-TRIGGERED D-TYPE FLIP-FLOPS WITH DUAL OUTPUTS	684
16825	18-BIT BUS BUFFERS/DRIVERS WITH 3-STATE OUTPUTS	685
16827	20-BIT BUS BUFFERS/DRIVERS WITH 3-STATE OUTPUTS	686
16831	1-TO-4 ADDRESS REGISTER/DRIVER WITH 3-STATE OUTPUTS	688
16832	1-TO-4 ADDRESS REGISTER/DRIVER WITH 3-STATE OUTPUTS	689
16833	DUAL 8-BIT TO 9-BIT PARITY BUS TRANSCEIVERS	690
16834	16-BIT UNIVERSAL BUS DRIVER WITH 3-STATE OUTPUTS	692
16835	3.3-V ABT 18-BIT UNIVERSAL BUS DRIVER WITH 3-STATE OUTPUTS	693
16841	20-BIT BUS INTERFACE D-TYPE LATCHES WITH 3-STATE OUTPUTS	694
16843	18-BIT BUS INTERFACE D-TYPE LATCHES WITH 3-STATE OUTPUTS	695
16853	DUAL 8-BIT TO 9-BIT PARITY BUS TRANSCEIVERS	696
16861	20-BIT BUS TRANSCEIVERS WITH 3-STATE OUTPUTS	698
16863	18-BIT BUS TRANSCEIVERS WITH 3-STATE OUTPUTS	699
16901	18-BIT UNIVERSAL BUS TRANSCEIVER WITH PARITY GENERATORS/CHECKERS	700
16903	3.3-V 12-BIT UNIVERSAL BUS DRIVER WITH PARITY CHECKER AND DUAL 3-STATE OUTPUTS	702
16952	16-BIT REGISTERED TRANSCEIVERS WITH 3-STATE OUTPUTS	704
16973	8-BIT BUS TRANSCEIVER AND TRANSPARENT D-TYPE LATCH WITH FOUR INDEPENDENT BUFFERS	706
25244	25-W OCTAL BUFFER/DRIVER WITH 3-STATE OUTPUTS	708
25245	25-W OCTAL BUS TRANSCEIVERS WITH 3-STATE OUTPUTS	709
25642	25-W OCTAL BUS TRANSCEIVER	710
29821	10-BIT BUS-INTERFACE FLIP-FLOPS WITH 3-STATE OUTPUTS	711
29825	8-BIT BUS-INTERFACE FLIP-FLOPS WITH 3-STATE OUTPUTS	712
29827	10-BIT BUFFERS/DRIVERS WITH 3-STATE OUTPUTS	713
29828	10-BIT BUFFERS/DRIVERS WITH 3-STATE OUTPUTS	714
29841	10-BIT BUS INTERFACE D-TYPE LATCHES WITH 3-STATE OUTPUTS	715
29843	9-BIT BUS INTERFACE D-TYPE LATCHES WITH 3-STATE OUTPUTS	716
29854	8-BIT TO 9-BIT PARITY BUS TRANSCEIVER	718
29863	9-BIT BUS TRANSCEIVERS WITH 3-STATE OUTPUTS	720
29864	9-BIT BUS TRANSCEIVER WITH 3-STATE OUTPUTS	721
32240	32-BIT BUFFER/DRIVER	722
32244	32-BIT BUFFER/DRIVER WITH 3-STATE OUTPUTS	724
32245	32-BIT BUS TRANSCEIVER WITH 3-STATE OUTPUTS	726
32316	16-BIT TRI-PORT UNIVERSAL BUS EXCHANGERS	728
32318	18-BIT TRI-PORT UNIVERSAL BUS EXCHANGERS	730
32373	32-BIT TRANSPARENT D-TYPE LATCH WITH 3-STATE OUTPUTS	732

<b>TTL CMOS SN74 BiCMOS</b>		<b>Page</b>
<b>Device</b>	<b>Function</b>	
32374	32-BIT EDGE-TRIGGERED D-TYPE FLIP-FLOP WITH 3-STATE OUTPUTS	734
32501	36-BIT UNIVERSAL BUS TRANSCEIVERS WITH 3-STATE OUTPUTS	736
32543	36-BIT REGISTERED BUS TRANSCEIVERS WITH 3-STATE OUTPUTS	738
32973	16-BIT BUS TRANSCEIVER AND TRANSPARENT D-TYPE LATCH WITH EIGHT INDEPENDENT BUFFERS	740
40103	8-STAGE SYNCHRONOUS DOWN COUNTERS	742
162240	3.3-V ABT 16-BIT BUFFERS/DRIVERS WITH 3-STATE OUTPUTS	744
162241	3.3-V ABT 16-BIT BUFFERS/DRIVERS WITH 3-STATE OUTPUTS	745
162244	16-BIT BUFFERS/DRIVERS WITH 3-STATE OUTPUTS	746
162245	16-BIT TRANSCEIVER WITH 3-STATE OUTPUTS	747
162260	12-BIT TO 24-BIT MULTIPLEXED D-TYPE LATCH WITH 3-STATE OUTPUTS	748
162268	12-BIT TO 24-BIT REGISTERED BUS EXCHANGER WITH 3-STATE OUTPUTS	750
162280	16-BIT TO 32-BIT REGISTERED BUS EXCHANGER WITH BYTE MASKS AND 3-STATE OUTPUTS	752
162282	18-BIT TO 36-BIT REGISTERED BUS EXCHANGER WITH 3-STATE OUTPUTS	754
162334	16-BIT UNIVERSAL BUS DRIVER WITH 3-STATE OUTPUTS	756
162344	1-BIT TO 4-BIT ADDRESS DRIVER WITH 3-STATE OUTPUTS	758
162373	3.3-V ABT 16-BIT TRANSPARENT D-TYPE LATCHES WITH 3-STATE OUTPUTS	760
162374	3.3-V ABT 16-BIT EDGE-TRIGGERED D-TYPE FLIP-FLOPS WITH 3-STATE OUTPUTS	761
162460	4-TO-1 MULTIPLEXED/DEMULTIPLEXED REGISTERED TRANSCEIVERS WITH 3-STATE OUTPUTS	762
162500	18-BIT UNIVERSAL BUS TRANSCEIVER WITH 3-STATE OUTPUTS	764
162501	18-BIT UNIVERSAL BUS TRANSCEIVER WITH 3-STATE OUTPUTS	766
162525	18-BIT UNIVERSAL BUS TRANSCEIVER WITH 3-STATE OUTPUTS	768
162541	3.3-V ABT 16-BIT BUFFERS/DRIVERS WITH 3-STATE OUTPUTS	770
162601	18-BIT UNIVERSAL BUS TRANSCEIVER WITH 3-STATE OUTPUTS	772
162721	3.3-V 20-BIT FLIP-FLOP WITH 3-STATE OUTPUTS	774
162820	3.3-V 10-BIT FLIP-FLOP WITH DUAL OUTPUTS AND 3-STATE OUTPUTS	775
162823	18-BIT BUS-INTERFACE FLIP-FLOPS WITH 3-STATE OUTPUTS	776
162825	18-BIT BUFFERS/DRIVERS WITH 3-STATE OUTPUTS	777
162827	20-BIT BUS BUFFERS/DRIVERS WITH 3-STATE OUTPUTS	778
162830	1-BIT TO 2-BIT ADDRESS DRIVER WITH 3-STATE OUTPUTS	779
162831	1-BIT TO 4-BIT ADDRESS REGISTER/DRIVER WITH 3-STATE OUTPUTS	780
162832	1-BIT TO 4-BIT ADDRESS REGISTER/DRIVER WITH 3-STATE OUTPUTS	781
162834	18-BIT UNIVERSAL BUS DRIVER WITH 3-STATE OUTPUTS	782
162835	18-BIT UNIVERSAL BUS DRIVER WITH 3-STATE OUTPUTS	783
162836	20-BIT UNIVERSAL BUS DRIVER WITH 3-STATE OUTPUTS	784
162841	20-BIT BUS-INTERFACE D-TYPE LATCH WITH 3-STATE OUTPUTS	785
322244	32-BIT BUFFER/DRIVER WITH 3-STATE OUTPUTS	786
322374	3.3-V ABT 32-BIT EDGE-TRIGGERED D-TYPE FLIP-FLOP WITH 3-STATE OUTPUTS	787

# **FUNCTION**

**Translation**



## Single-Supply Voltage-Translator

Description	Function	Device	CMOS Technology				
			Low-Voltage				Low-Power
			LV	LVC	ALVC	AVC	AUP
Configurable Gate	2-input AND gate	1G57					
	2-input AND gate with both inputs inverted						●
	2-input NOR gate						
	2-input NOR gate with both inputs inverted						
	2-input NAND gate with inverted input						
	2-input OR gate with inverted input						
	2-input XNOR	1G58					
	Inverter						
	Noninverted buffer						
	2-input NAND gate						
	2-input NAND gate with both inputs inverted						
	2-input OR gate						
	2-input OR gate with both inputs inverted						
	2-input AND gate with inverted input						
	2-input NOR gate with inverted input						
	2-input XNOR						
	Inverter						
	Noninverted buffer		1G97				
	2-to-1 data selector						
	2-input AND gate						
	2-input AND gate with one inverted input						
	2-input OR gate						
	2-input OR gate with one inverted input						
	2-input NAND gate with one inverted input	1G98					
	2-input NOR gate with one inverted input						
	Inverter						
	Noninverted buffer						
	2-to-1 data selector						
	2-input AND gate						
	2-input AND gate with one inverted input						
	2-input OR gate						
	2-input OR gate with one inverted input						
	2-input NAND gate with one inverted input						
	2-input NOR gate with one inverted input						
	Inverter						
	Noninverted buffer						

## Dual-Supply Bus Transceiver

Description	Device	Technology				
		Low-Voltage CMOS				Low-Power CMOS
		LV	LVC	ALVC	AVC	AUP
Single BusTransceiver	1T45		●		●/H●	
Dual BusTransceivers	2T45		●		●/H●	
4-Bit BusTransceivers	4T245				●/H●	
	8T245		●		●/H●	
Octal BusTransceivers	3245		C●			
	4245		●/C●			
	16T245		●/H●		●/H●	
16-Bit BusTransceivers	164245			●	A●/A●● B●/B●●	
20-Bit BusTransceivers	20T245				●/H●	
24-Bit BusTransceivers	24T245				●/H●	
32-Bit BusTransceivers	32T245				●/H●	
	324245				B●	

Status ● : Product available in technology indicated \* : New product planned in technology indicated

## APPLICATION SPECIFIC (CompactFlash™, SD CARD, MultiMediaCards, fC)

Description	Device	Technology				
		Low-Voltage CMOS				Low-Power CMOS
		LV	LVC	ALVC	AVC	AUP
MMC, SD CARD, Memory Stick, SmartMedia, AND xD-Picture Card ±15-kV ESD VOLTAGE-TRANSLATION TRANSCIEVER	406				A●	
MMC, SD CARD, Memory Stick™ VOLTAGE-TRANSLATION TRANSCIEVER	406L				A●	
LOW-POWER, DUAL-SUPPLY, LEVEL-TRANSLATING CompactFlash™ INTERFACE WITH DATA, 11-BIT ADDRESS, AND 13BIT CONTROL LINES	4320	●A				

Status ● : Product available in technology indicated \* : New product planned in technology indicated





# **PIN ASSIGNMENTS**

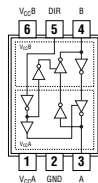
**Translation**



# Pin Assignments

## 1T45

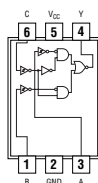
SINGLE-BIT DUAL-SUPPLY BUS TRANSCEIVER WITH CONFIGURABLE VOLTAGE TRANSLATION AND 3-STATE OUTPUTS



See page 23

## 1T98

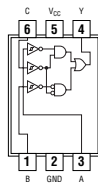
SINGLE-SUPPLY VOLTAGE-LEVEL TRANSLATOR WITH NINE CONFIGURABLE GATE LOGIC FUNCTIONS



See page 30

## 1T57

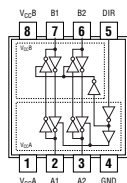
SINGLE-SUPPLY VOLTAGE-LEVEL TRANSLATOR WITH NINE CONFIGURABLE GATE LOGIC FUNCTIONS



See page 27

## 2T45

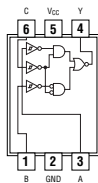
DUAL-BIT DUAL-SUPPLY BUS TRANSCEIVER WITH CONFIGURABLE VOLTAGE TRANSLATION AND 3-STATE OUTPUTS



See page 31

## 1T58

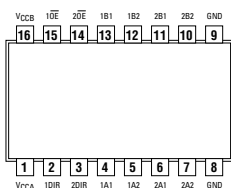
SINGLE-SUPPLY VOLTAGE-LEVEL TRANSLATOR WITH NINE CONFIGURABLE GATE LOGIC FUNCTIONS



See page 28

## 4T245

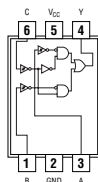
4-BIT DUAL-SUPPLY BUS TRANSCEIVER WITH CONFIGURABLE VOLTAGE TRANSLATION AND 3-STATE OUTPUTS



See page 35

## 1T97

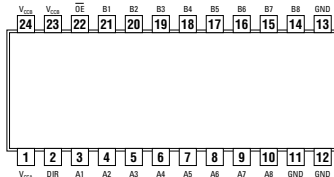
SINGLE-SUPPLY VOLTAGE-LEVEL TRANSLATOR WITH NINE CONFIGURABLE GATE LOGIC FUNCTION



See page 29

## 8T245

8-BIT DUAL-SUPPLY BUS TRANSCEIVER WITH CONFIGURABLE VOLTAGE TRANSLATION AND 3-STATE OUTPUTS



See page 37

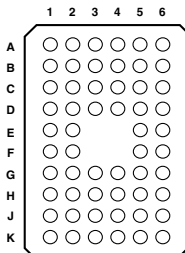
# Pin Assignments

## 16T245

16-BIT DUAL-SUPPLY BUS TRANSCEIVER WITH CONFIGURABLE VOLTAGE TRANSLATION AND 3-STATE OUTPUTS



QGL OR ZQL PACKAGE  
(TOP VIEW)



### terminal assignments

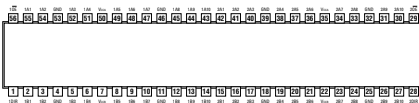
	1	2	3	4	5	6
A	1DIR	NC	NC	NC	NC	$\overline{1OE}$
B	1B2	1B1	GND	GND	1A1	1A2
C	1B4	1B3	VCCB	VCCA	1A3	1A4
D	1B6	1B5	GND	GND	1A5	1A6
E	1B8	1B7			1A7	1A8
F	2B1	2B2			2A2	2A1
G	2B3	2B4	GND	GND	2A4	2A3
H	2B5	2B6	VCCB	VCCA	2A6	2A5
J	2B7	2B8	GND	GND	2A8	2A7
K	2DIR	NC	NC	NC	NC	$\overline{2OE}$

(1) NC - No internal connection

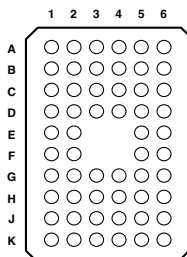
See page 41

## 20T245

20-BIT DUAL-SUPPLY BUS TRANSCEIVER WITH CONFIGURABLE VOLTAGE TRANSLATION AND 3-STATE OUTPUTS



QGL OR ZQL PACKAGE  
(TOP VIEW)



### terminal assignments

	1	2	3	4	5	6
A	1B1	1B2	1DIR	$\overline{1OE}$	1A2	1A1
B	1B3	1B4	GND	GND	1A4	1A3
C	1B5	1B6	VCCB	VCCA	1A6	1A5
D	1B7	1B8	GND	GND	1A8	1A7
E	1B9	1B10			1A10	1A9
F	2B1	2B2			2A2	2A1
G	2B3	2B4	GND	GND	2A4	2A3
H	2B5	2B6	VCCB	VCCA	2A6	2A5
J	2B7	2B8	GND	GND	2A8	2A7
K	2B9	2B10	2DIR	$\overline{2OE}$	2A10	2A9

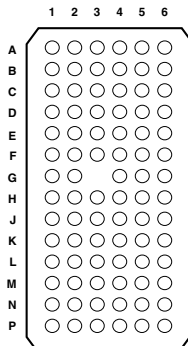
See page 45

# Pin Assignments

## 24T245

24-BIT DUAL-SUPPLY BUS TRANSCEIVER WITH CONFIGURABLE VOLTAGE TRANSLATION AND 3-STATE OUTPUTS

GRG OR ZRG PACKAGE  
(TOP VIEW)



terminal assignments

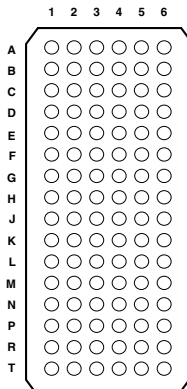
	1	2	3	4	5	6
A	$\overline{6OE}$	$\overline{5OE}$	$\overline{4OE}$	$\overline{3OE}$	$\overline{2OE}$	$\overline{1OE}$
B	1B1	1B2	V <sub>CCB</sub>	V <sub>CCA</sub>	1A2	1A1
C	1B3	1B4	GND	GND	1A4	1A3
D	2B1	2B2	V <sub>CCB</sub>	V <sub>CCA</sub>	2A2	2A1
E	2B3	2B4	GND	GND	2A4	2A3
F	3B1	3B2	GND	GND	3A2	3A1
G	3B3	3B4		GND	3A4	3A3
H	4B1	4B2	V <sub>CCB</sub>	V <sub>CCA</sub>	4A2	4A1
J	4B3	4B4	GND	GND	4A4	4A3
K	5B1	5B2	GND	GND	5A2	5A1
L	5B3	5B4	V <sub>CCB</sub>	V <sub>CCA</sub>	5A4	5A3
M	6B1	6B2	GND	GND	6A2	6A1
N	6B3	6B4	V <sub>CCB</sub>	V <sub>CCA</sub>	6A4	6A3
P	6DIR	5DIR	4DIR	3DIR	2DIR	1DIR

See page 47

## 32T245

32-BIT DUAL-SUPPLY BUS TRANSCEIVER WITH CONFIGURABLE VOLTAGE TRANSLATION AND 3-STATE OUTPUTS WITH 3-STATE DESELECTED OUTPUT

GRG OR ZRG PACKAGE  
(TOP VIEW)



terminal assignments

	1	2	3	4	5	6
A	1B2	1B1	1DIR	$\overline{1OE}$	1A1	1A2
B	1B4	1B3	GND	GND	1A3	1A4
C	1B6	1B5	V <sub>CCB</sub>	V <sub>CCA</sub>	1A5	1A6
D	1B8	1B7	GND	GND	1A7	1A8
E	2B2	2B1	GND	GND	2A1	2A2
F	2B4	2B3	V <sub>CCB</sub>	V <sub>CCA</sub>	2A3	2A4
G	2B6	2B5	GND	GND	2A5	2A6
H	2B7	2B8	2DIR	$\overline{2OE}$	2A8	2A7
J	3B2	3B1	3DIR	$\overline{3OE}$	3A1	3A2
K	3B4	3B3	GND	GND	3A3	3A4
L	3B6	3B5	V <sub>CCB</sub>	V <sub>CCA</sub>	3A5	3A6
M	3B8	3B7	GND	GND	3A7	3A8
N	4B2	4B1	GND	GND	4A1	4A2
P	4B4	4B3	V <sub>CCB</sub>	V <sub>CCA</sub>	4A3	4A4
R	4B6	4B5	GND	GND	4A5	4A6
T	4B7	4B8	4DIR	$\overline{4OE}$	4A8	4A7

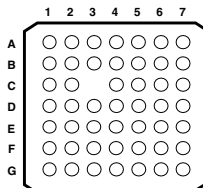
See page 50

# Pin Assignments

## 406

MMC, SD CARD, Memory Stick, SmartMedia, AND xD-Picture Card  
±15-kV ESD-PROTECTED VOLTAGE-TRANSLATION TRANCEIVER

GQC/ZQC PACKAGE  
(TOP VIEW)



TERMINAL ASSIGNMENTS <sup>(1)</sup>

	1	2	3	4	5	6	7
<b>A</b>	V <sub>CCA</sub>	2A	4DIR	2DIR	MODE1	10B1	V <sub>CCB0</sub>
<b>B</b>	10A1	3A	1A	1DIR	MODE0	9B1	1B
<b>C</b>	9A	10A2		3DIR	GND	2B	3B
<b>D</b>	9DIR	4A	56DIR	GND	4B	11B	12B
<b>E</b>	78DIR	6A	GND	$\overline{CS0}$	GND	10B2	9B2
<b>F</b>	7A	8A	12A	13A	7B	5B	14B
<b>G</b>	V <sub>CCA</sub>	5A	11A	$\overline{CS1}$	8B	6B	V <sub>CCB1</sub>

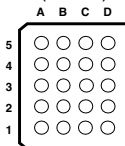
- (1) V<sub>CCA</sub> powers all A-port I/Os and control inputs.  
V<sub>CCB0</sub> powers 1B, 2B, 3B, 4B, 9B1, and 10B1.  
V<sub>CCB1</sub> powers 5B, 6B, 7B, 8B, 9B2, 10B2, 11B, 12B, and 14B.

See page 53

## 406L

MMC, SD CARD, Memory Stick, SmartMedia, AND xD-Picture Card ±15-kV ESD-PROTECTED VOLTAGE-TRANSLATION TRANCEIVER

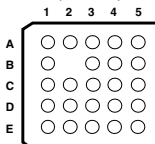
GXY OR ZXY PACKAGE  
(TOP VIEW)



TERMINAL ASSIGNMENTS  
(20-Ball GXY/ZXY Package)

	A	B	C	D
<b>5</b>	V <sub>CCA</sub>	CMD-dir	DAT0-dir	V <sub>CCB</sub>
<b>4</b>	DAT3A	DAT2A	DAT2B	DAT3B
<b>3</b>	CLKA	GND	GND	CLKB
<b>2</b>	DAT1A	DAT0A	CMDB	DAT0B
<b>1</b>	CLK-f	CMDA	DAT123-dir	DAT1B

GQS OR ZQS PACKAGE  
(TOP VIEW)



TERMINAL ASSIGNMENTS  
(24-Ball GQS/ZQS Package)

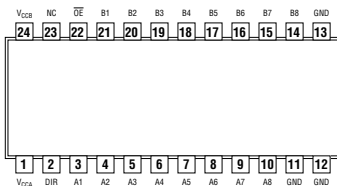
	1	2	3	4	5
<b>A</b>	DAT2A	CMD-dir	DAT0-dir	RSV	DAT2B
<b>B</b>	DAT3A		V <sub>CCA</sub>	V <sub>CCB</sub>	DAT3B
<b>C</b>	CLKA	RSV	GND	GND	CLKB
<b>D</b>	DAT0A	CMDA	RSV	CMDB	DAT0B
<b>E</b>	DAT1A	CLK-f	DAT123-dir	RSV	DAT1B

See page 58

## Pin Assignments

### 3245

**OCTAL BUS TRANSCEIVER WITH ADJUSTABLE OUTPUT VOLTAGE AND 3-STATE OUTPUTS**

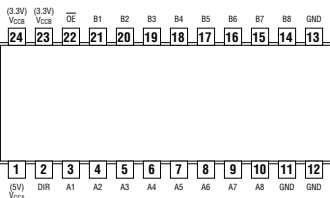


See page 61

### 4245

**OCTAL BUS TRANSCEIVER AND 3.3-V TO 5-V SHIFTER WITH 3-STATE OUTPUTS (SN74LVC4245A)**

**OCTAL DUAL-SUPPLY BUS TRANSCEIVER WITH CONFIGURABLE OUTPUT VOLTAGE AND 3-STATE OUTPUTS (SN74LVCC4245A)**

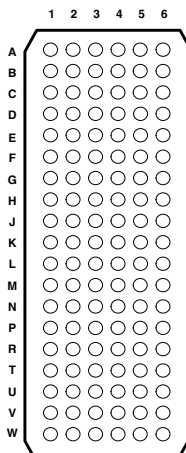


See page 62

### 4320

**LOW-POWER, DUAL-SUPPLY, LEVEL-TRANSLATING CompactFlash™ INTERFACE WITH 16-BIT DATA, 11-BIT ADDRESS, AND 13-BIT CONTROL LINES**

**GKF PACKAGE  
(TOP VIEW)**



#### terminal assignments

	1	2	3	4	5	6
A	D12	D04	D03	SD14	SD12	SD11
B	D13	D05	D11	SD13	SD10	SD09
C	D14	D06	SD15	SINPACK	SD08	SD07
D	D15	D07	VCC_CF	VCC_S	SD06	SD05
E	CE2	CE1	GND	GND	SD04	SD03
F	OE	A10	VCC_CF	VCC_S	SD02	SD01
G	A09	IORD	GND	GND	SD00	SCET
H	A08	IOWR	VCC_CF	VCC_S	EN_L	EN_H
J	A07	WE	GND	GND	MASTER_EN	BUF_EN
K	A06	READY	A05	SCET	SOE	SIORD
L	A04	RESET	GND	GND	SWE	SIOWR
M	A03	WAIT	VCC_CF	VCC_S	SREADY	SRESET
N	A02	INPACK	GND	GND	SWAIT	SREG
P	A01	REG	VCC_CF	GND	SBVD2	SBVD1
R	A00	BVD2	VCC_CF	VCC_S	SA10	SWP
T	D00	BVD1	VCC_SD	DIR (S/CF)	SA08	SA09
U	D01	D08	CD1	DIR_OUT	SA06	SA07
V	D02	D09	CD2	SA00	SA04	SA05
W	WP	D10	SCD	SA01	SA02	SA03

See page 63



## 164245

### 16-BIT TRANSCEIVER AND 3.3-V TO 5-V SHIFTER WITH 3-STATE OUTPUTS

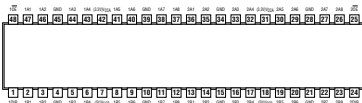
● SN74ALVC164245:

A port has  $V_{CCA}$ , which is set to operate at 2.5 V and 3.3 V  
 B port has  $V_{CCB}$ , which is set to operate at 3.3 V and 5 V

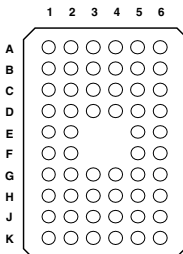
● SN74AVCB164245, SN74AVCBH164245:

The A-port is designed to track  $V_{CCA}$ .  
 $V_{CCA}$  accepts any supply voltage from 1.4 V to 3.6 V

The B-port is designed to track  $V_{CCB}$ .  
 $V_{CCB}$  accepts any supply voltage from 1.4 V to 3.6 V



**QGL OR ZQL PACKAGE  
(TOP VIEW)**



**TERMINAL ASSIGNMENTS <sup>(1)</sup>**

	1	2	3	4	5	6
<b>A</b>	1DIR	NC	NC	NC	NC	1OE
<b>B</b>	1B2	1B1	GND	GND	1A1	1A2
<b>C</b>	1B4	1B3	$V_{CCB}$	$V_{CCA}$	1A3	1A4
<b>D</b>	1B6	1B5	GND	GND	1A5	1A6
<b>E</b>	1B8	1B7			1A7	1A8
<b>F</b>	2B1	2B2			2A2	2A1
<b>G</b>	2B3	2B4	GND	GND	2A4	2A3
<b>H</b>	2B5	2B6	$V_{CCB}$	$V_{CCA}$	2A6	2A5
<b>J</b>	2B7	2B8	GND	GND	2A8	2A7
<b>K</b>	2DIR	NC	NC	NC	NC	2OE

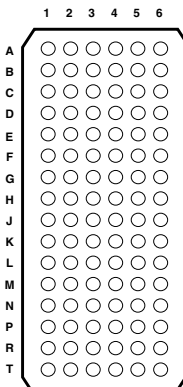
(1) NC - No internal connection

See page 67

## 324245

### 32-BIT DUAL-SUPPLY BUS TRANSCEIVER WITH CONFIGURABLE VOLTAGE TRANSLATION AND 3-STATE OUTPUTS

**GKE PACKAGE  
(TOP VIEW)**



**terminal assignments**

	1	2	3	4	5	6
<b>A</b>	1B2	1B1	1DIR	1OE	1A1	1A2
<b>B</b>	1B4	1B3	GND	GND	1A3	1A4
<b>C</b>	1B6	1B5	$V_{CCB}$	$V_{CCA}$	1A5	1A6
<b>D</b>	1B8	1B7	GND	GND	1A7	1A8
<b>E</b>	2B2	2B1	GND	GND	2A1	2A2
<b>F</b>	2B4	2B3	$V_{CCB}$	$V_{CCA}$	2A3	2A4
<b>G</b>	2B6	2B5	GND	GND	2A5	2A6
<b>H</b>	2B7	2B8	2DIR	2OE	2A8	2A7
<b>J</b>	3B2	3B1	3DIR	3OE	3A1	3A2
<b>K</b>	3B4	3B3	GND	GND	3A3	3A4
<b>L</b>	3B6	3B5	$V_{CCB}$	$V_{CCA}$	3A5	3A6
<b>M</b>	3B8	3B7	GND	GND	3A7	3A8
<b>N</b>	4B2	4B1	GND	GND	4A1	4A2
<b>P</b>	4B4	4B3	$V_{CCB}$	$V_{CCA}$	4A3	4A4
<b>R</b>	4B6	4B5	GND	GND	4A5	4A6
<b>T</b>	4B7	4B8	4DIR	4OE	4A8	4A7

See page 69

**FUNCTION  
AND  
ELECTRICAL  
CHARACTERISTICS**

**Translation**

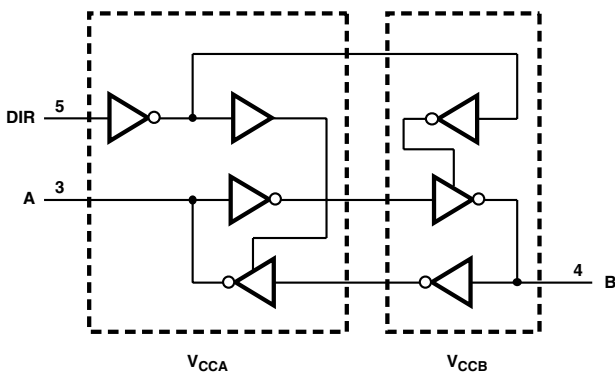


# 1T45

## SINGLE-BIT DUAL-SUPPLY BUS TRANSCEIVER WITH CONFIGURABLE VOLTAGE TRANSLATION AND 3-STATE OUTPUTS

- $V_{CC}$  Isolation Feature - If Either  $V_{CC}$  Input Is at GND, Both Ports Are in the High-Impedance State
- DIR Input Circuit Referenced to  $V_{CCA}$
- This Single-Bit Noninverting Bus Transceiver Uses Two Separate Configurable Power-Supply Rails
- Designed for asynchronous Communication Between Two Data Buses

Logic Diagram



FUNCTION TABLE <sup>(1)</sup>

INPUT DIR	OPERATION
L	B data to A bus
H	A data to B bus

(1) Input circuits of the data I/Os always are active.

**RECOMMENDED OPERATING CONDITIONS AND ELECTRICAL CHARACTERISTICS**

PARAMETER	MAX or MIN	LVC 5V	LVC 3.3V	LVC 2.5V	LVC 1.8V	AVC 3.3V	AVC 2.5V	AVC 1.8V	AVC 1.5V	AVCH 3.3V	AVCH 2.5V	AVCH 1.8V	AVCH 1.5V	UNIT
$I_{CC}^*$	MAX	0.004	0.004	0.004	0.004	0.02	0.02	0.02	0.02	0.02	0.02	0.02	0.02	mA
$I_{OH}$	MAX	-32	-24	-8	-4	-12	-9	-8	-6	-12	-9	-8	-6	mA
$I_{OL}$	MAX	32	24	8	4	12	9	8	6	12	9	8	6	mA

 $*I_{CCA} + I_{CCB}$ 
**SWITCHING CHARACTERISTICS**

V <sub>CCA</sub> = 1.5V												
PARAMETER	INPUT	OUTPUT	MAX or MIN	AVC 3.3V	AVC 2.5V	AVC 1.8V	AVC 1.5V	AVCH 3.3V	AVCH 2.5V	AVCH 1.8V	AVCH 1.5V	
$t_{FHL}$	A	B	MAX	3.3	4.2	5.2	5.6	3.3	4.2	5.2	5.6	
$t_{FHL}^*$				3.8	4.2	5.2	5.6	3.8	4.2	5.2	5.6	
$t_{FHL}$	B	A	MAX	4.8	4.9	5.3	5.5	4.8	4.9	5.3	5.5	
$t_{FHL}^*$				4.8	4.9	5.3	5.5	4.8	4.9	5.3	5.5	
$t_{FHLZ}$	DIR	A	MAX	6.9	6.9	6.8	6.7	6.9	6.9	6.8	6.7	
$t_{FHLZ}^*$				6.9	6.9	6.8	6.7	6.9	6.9	6.8	6.7	
$t_{FHLZ}$	DIR	B	MAX	4.5	4.7	7.1	8.1	4.5	4.7	7.1	8.1	
$t_{FHLZ}^*$				4.5	4.7	7.1	8.1	4.5	4.7	7.1	8.1	
$t_{FZL}^*$	DIR	A	MAX	9.3	9.6	12.4	13.6	9.3	9.6	12.4	13.6	
$t_{FZL}$				9.3	9.6	12.4	13.6	9.3	9.6	12.4	13.6	
$t_{FZL}^*$	DIR	B	MAX	10.7	11.1	12	12.3	10.7	11.1	12	12.3	
$t_{FZL}$				10.7	11.1	12	12.3	10.7	11.1	12	12.3	

UNIT : ns

\*The enable time is a calculated value, derived using the formula shown in the enable times section.

V <sub>CCA</sub> = 1.8V												
PARAMETER	INPUT	OUTPUT	MAX or MIN	LVC 5V	LVC 3.3V	LVC 2.5V	LVC 1.8V	AVC 3.3V	AVC 2.5V	AVC 1.8V	AVC 1.5V	
$t_{FHL}$	A	B	MAX	7.2	8.3	10.3	17.7	3.4	3.9	5	5.3	
$t_{FHL}^*$				7	7.1	8.5	14.3	3.4	3.9	5	5.3	
$t_{FHL}$	B	A	MAX	15.1	15.5	16	17.7	4.4	4.6	5	5.2	
$t_{FHL}^*$				12.2	12.6	12.9	14.3	4.4	4.6	5	5.2	
$t_{FHLZ}$	DIR	A	MAX	17.1	18.4	18.5	19.4	6	5.9	5.9	5.9	
$t_{FHLZ}^*$				10.9	10.7	10.5	10.5	6	5.9	5.9	5.9	
$t_{FHLZ}$	DIR	B	MAX	8.2	10.3	11.5	21.9	5.3	4.4	6.8	7.7	
$t_{FHLZ}^*$				6.4	8.4	9.2	16	5.3	4.4	6.8	7.7	
$t_{FZL}^*$	DIR	A	MAX	12.8	23.9	25.2	33.7	8.7	9	11.8	12.9	
$t_{FZL}$				13.3	22.9	24.4	36.2	8.7	9	11.8	12.9	
$t_{FZL}^*$	DIR	B	MAX	10.9	19	20.8	28.2	9.4	9.8	10.9	11.2	
$t_{FZL}$				12.7	25.5	27	33.7	9.4	9.8	10.9	11.2	

V <sub>CCA</sub> = 1.8V							
PARAMETER	INPUT	OUTPUT	MAX or MIN	AVCH 3.3V	AVCH 2.5V	AVCH 1.8V	AVCH 1.5V
$t_{FHL}$	A	B	MAX	3.4	3.9	5	5.3
$t_{FHL}^*$				3.4	3.9	5	5.3
$t_{FHL}$	B	A	MAX	4.4	4.6	5	5.2
$t_{FHL}^*$				4.4	4.6	5	5.2
$t_{FHLZ}$	DIR	A	MAX	6	5.9	5.9	5.9
$t_{FHLZ}^*$				6	5.9	5.9	5.9
$t_{FHLZ}$	DIR	B	MAX	5.3	4.4	6.8	7.7
$t_{FHLZ}^*$				5.3	4.4	6.8	7.7
$t_{FZL}^*$	DIR	A	MAX	8.7	9	11.8	12.9
$t_{FZL}$				8.7	9	11.8	12.9
$t_{FZL}^*$	DIR	B	MAX	9.4	9.8	10.9	11.2
$t_{FZL}$				9.4	9.8	10.9	11.2

UNIT : ns

\*The enable time is a calculated value, derived using the formula shown in the enable times section.

V <sub>CCA</sub> = 2.5V											
PARAMETER	INPUT	OUTPUT	MAX or MIN	LVC 5V	LVC 3.3V	LVC 2.5V	LVC 1.8V	AVC 3.3V	AVC 2.5V	AVC 1.8V	AVC 1.5V
t <sub>PLH</sub>	A	B	MAX	5.1	6.4	8.5	16	3	3.4	4.6	4.9
t <sub>PHL</sub>				4.6	5.4	7.5	12.9	3	3.4	4.6	4.9
t <sub>PLH</sub>	B	A	MAX	7.5	8	8.5	10.3	3.3	3.4	3.8	4.2
t <sub>PHL</sub>				6.2	7	7.5	8.5	3.3	3.4	3.8	4.2
t <sub>PLZ</sub>	DIR	A	MAX	8.1	8.1	8.1	8.1	3.8	3.8	3.8	3.8
t <sub>PHZ</sub>				5.8	5.9	5.9	5.9	3.8	3.8	3.8	3.8
t <sub>PLZ</sub>	DIR	B	MAX	7.1	10.2	11.4	23.7	4	4.1	6.5	7.6
t <sub>PHZ</sub>				5.3	8.4	9.6	18.9	4	4.1	6.5	7.6
t <sub>PLH</sub> *	DIR	A	MAX	12.8	16.4	18.1	29.2	7.3	7.5	10.3	11.8
t <sub>PHL</sub> *				13.3	17.2	18.9	32.2	7.3	7.5	10.3	11.8
t <sub>PLZ</sub> *	DIR	B	MAX	10.9	12.3	14.4	21.9	6.6	7	8.1	8.6
t <sub>PHZ</sub> *				12.7	13.5	15.6	21	6.6	7	8.1	8.6

V <sub>CCA</sub> = 2.5V							
PARAMETER	INPUT	OUTPUT	MAX or MIN	AVCH 3.3V	AVCH 2.5V	AVCH 1.8V	AVCH 1.5V
t <sub>PLH</sub>	A	B	MAX	3	3.4	4.6	4.9
t <sub>PHL</sub>				3	3.4	4.6	4.9
t <sub>PLH</sub>	B	A	MAX	3.3	3.4	3.8	4.2
t <sub>PHL</sub>				3.3	3.4	3.8	4.2
t <sub>PLZ</sub>	DIR	A	MAX	3.8	3.8	3.8	3.8
t <sub>PHZ</sub>				3.8	3.8	3.8	3.8
t <sub>PLZ</sub>	DIR	B	MAX	4	4.1	6.5	7.6
t <sub>PHZ</sub>				4	4.1	6.5	7.6
t <sub>PLH</sub> *	DIR	A	MAX	7.3	7.5	10.3	11.8
t <sub>PHL</sub> *				7.3	7.5	10.3	11.8
t <sub>PLZ</sub> *	DIR	B	MAX	6.6	7	8.1	8.6
t <sub>PHZ</sub> *				6.6	7	8.1	8.6

UNIT : ns

\*The enable time is a calculated value, derived using the formula shown in the enable times section.

V <sub>CCA</sub> = 3.3V											
PARAMETER	INPUT	OUTPUT	MAX or MIN	LVC 5V	LVC 3.3V	LVC 2.5V	LVC 1.8V	AVC 3.3V	AVC 2.5V	AVC 1.8V	AVC 1.5V
t <sub>PLH</sub>	A	B	MAX	4.4	5.8	8	15.5	2.8	3.3	4.4	4.7
t <sub>PHL</sub>				4	5	7	12.6	2.8	3.3	4.4	4.7
t <sub>PLH</sub>	B	A	MAX	5.4	5.8	6.4	8.3	2.8	3	3.4	3.8
t <sub>PHL</sub>				4.5	5	5.4	7.1	2.8	3	3.4	3.8
t <sub>PLZ</sub>	DIR	A	MAX	7.3	7.3	7.3	7.3	4.3	4.3	4.3	4.3
t <sub>PHZ</sub>				5.7	5.7	5.6	5.6	4.3	4.3	4.3	4.3
t <sub>PLZ</sub>	DIR	B	MAX	6.8	8.8	10.1	20.5	4.9	4	6.5	7.4
t <sub>PHZ</sub>				4.9	7.1	7.8	14.5	4.9	4	6.5	7.4
t <sub>PLH</sub> *	DIR	A	MAX	10.3	12.9	14.2	22.8	6.7	7	9.9	11.2
t <sub>PHL</sub> *				11.3	13.8	15.5	27.6	6.7	7	9.9	11.2
t <sub>PLZ</sub> *	DIR	B	MAX	10.1	11.5	13.6	21.1	6.8	7.2	8.5	8.9
t <sub>PHZ</sub> *				11.3	12.3	14.3	19.9	6.8	7.2	8.5	8.9

V <sub>CCA</sub> = 3.3V							
PARAMETER	INPUT	OUTPUT	MAX or MIN	AVCH 3.3V	AVCH 2.5V	AVCH 1.8V	AVCH 1.5V
t <sub>PLH</sub>	A	B	MAX	2.8	3.3	4.4	4.7
t <sub>PHL</sub>				2.8	3.3	4.4	4.7
t <sub>PLH</sub>	B	A	MAX	2.8	3	3.4	3.8
t <sub>PHL</sub>				2.8	3	3.4	3.8
t <sub>PLZ</sub>	DIR	A	MAX	4.3	4.3	4.3	4.3
t <sub>PHZ</sub>				4.3	4.3	4.3	4.3
t <sub>PLZ</sub>	DIR	B	MAX	4.9	4	6.5	7.4
t <sub>PHZ</sub>				4.9	4	6.5	7.4
t <sub>PLH</sub> *	DIR	A	MAX	6.7	7	9.9	11.2
t <sub>PHL</sub> *				6.7	7	9.9	11.2
t <sub>PLZ</sub> *	DIR	B	MAX	6.8	7.2	8.5	8.9
t <sub>PHZ</sub> *				6.8	7.2	8.5	8.9

UNIT : ns

\*The enable time is a calculated value, derived using the formula shown in the enable times section.

V <sub>CCA</sub> = 5.0V							
PARAMETER	INPUT	OUTPUT	MAX or MIN	LVC 5V	LVC 3.3V	LVC 2.5V	LVC 1.8V
t <sub>PH</sub>	A	B	MAX	3.9	5.4	7.5	15.1
t <sub>PL</sub>				3.5	4.5	6.2	12.2
t <sub>PH</sub>	B	A	MAX	3.9	4.4	5.1	7.2
t <sub>PL</sub>				3.5	4	4.6	7
t <sub>PHZ</sub>	DIR	A	MAX	5.4	5.5	5.4	5.4
t <sub>PLZ</sub>				3.7	3.7	3.8	3.8
t <sub>PHZ</sub>	DIR	B	MAX	6.5	8.5	9.8	20.2
t <sub>PLZ</sub>				4.5	7	7.4	14.8
t <sub>PHZ</sub> *	DIR	A	MAX	8.4	11.4	12.5	22
t <sub>PLZ</sub> *				10	12.5	14.4	27.2
t <sub>PHZ</sub> *	DIR	B	MAX	7.6	9.1	11.3	18.9
t <sub>PLZ</sub> *				8.6	10	11.6	17.6

UNIT : ns

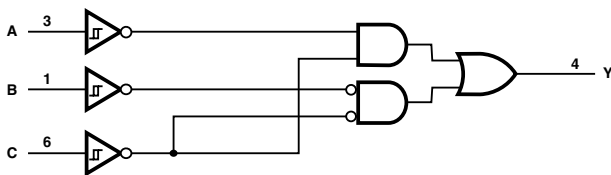
\*The enable time is a calculated value, derived using the formula shown in the enable times section.

# 1T57

## SINGLE-SUPPLY VOLTAGE-LEVEL TRANSLATOR WITH NINE CONFIGURABLE GATE LOGIC FUNCTIONS

- Single-Supply Voltage Translator
- Nine Configurable Gate Logic Functions
- Scmitt-Trigger Inputs Reject Input Noise and Provide Better Output Signal Integrity

Logic Diagram



FUNCTION TABLE

INPUTS			OUTPUT Y
C	B	A	
L	L	L	H
L	L	H	L
L	H	L	L
L	H	H	L
H	L	L	L
H	L	H	L
H	H	L	H
H	H	H	H

FUNCTION SELECTION TABLE

LOGIC FUNCTION
2-input AND gate
2-input NOR gate with both inputs inverted
2-input NAND gate with inverted input
2-input OR gate with inverted input
2-input AND gate with both inputs inverted
2-input NOR gate
2-input XNOR gate
Inverter
Noninverted buffer

### RECOMMENDED OPERATING CONDITIONS AND ELECTRICAL CHARACTERISTICS

PARAMETER	MAX or MIN	AUP 3.3V	AUP 2.5V	UNIT
$I_{CC}$	MAX	0.0009	0.0009	mA
$I_{OH}$	MAX	-4	-3.1	mA
$I_{OL}$	MAX	4	3.1	mA

### SWITCHING CHARACTERISTICS

PARAMETER	INPUT	OUTPUT	MAX or MIN	AUP 3.3V	AUP 2.5V
$t_{PLH}$	$V_i = 1.8V$	A, B, or C	Y	MAX	8.5
					7.9
$t_{PHL}$	$V_i = 1.8V$	A, B, or C	Y	MAX	8.5
					7.9
$t_{PLH}$	$V_i = 2.5V$	A, B, or C	Y	MAX	6.1
					7.1
$t_{PHL}$	$V_i = 2.5V$	A, B, or C	Y	MAX	6.1
					7.1

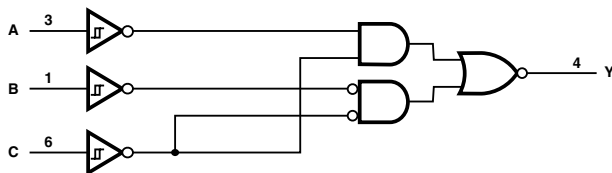
UNIT : ns



## SINGLE-SUPPLY VOLTAGE-LEVEL TRANSLATOR WITH NINE CONFIGURABLE GATE LOGIC FUNCTIONS

- Single-Supply Voltage Translator
- Nine Configurable Gate Logic Functions
- Scmitt-Trigger Inputs Reject Input Noise and Provide Better Output Signal Integrity

Logic Diagram



FUNCTION TABLE

INPUTS			OUTPUT Y
C	B	A	
L	L	L	L
L	L	H	H
L	H	L	L
L	H	H	H
H	L	L	H
H	L	H	H
H	H	L	L
H	H	H	L

FUNCTION SELECTION TABLE

LOGIC FUNCTION
2-input NAND gate
2-input OR gate with both inputs inverted
2-input AND gate with inverted input
2-input NOR gate with inverted input
2-input NAND gate with both inputs inverted
2-input OR gate
2-input XOR gate
Inverter
Noninverted buffer

### RECOMMENDED OPERATING CONDITIONS AND ELECTRICAL CHARACTERISTICS

PARAMETER	MAX or MIN	AUP 3.3V	AUP 2.5V	UNIT
$I_{CC}$	MAX	0.0009	0.0009	mA
$I_{DS}$	MAX	-4	-3.1	mA
$I_{OL}$	MAX	4	3.1	mA

### SWITCHING CHARACTERISTICS

PARAMETER	INPUT	OUTPUT	MAX or MIN	AUP 3.3V	AUP 2.5V
				8.5	7.9
$t_{RHS}$	$V_i = 1.8V$	A, B, or C	Y	MAX	8.5
$t_{FHL}$					7.9
$t_{RHS}$	$V_i = 2.5V$	A, B, or C	Y	MAX	6.1
$t_{FHL}$					7.1

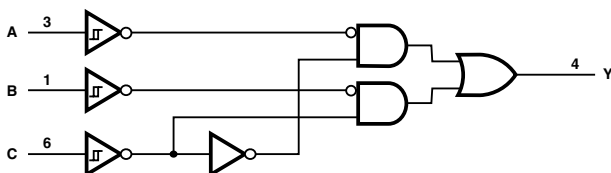
UNIT : ns

# 1T97

## SINGLE-SUPPLY VOLTAGE-LEVEL TRANSLATOR WITH NINE CONFIGURABLE GATE LOGIC FUNCTION

- Single-Supply Voltage Translator
- Nine Configurable Gate Logic Functions
- Scmitt-Trigger Inputs Reject Input Noise and Provide Better Output Signal Integrity

Logic Diagram



FUNCTION TABLE

INPUTS			OUTPUT Y
C	B	A	
L	L	L	L
L	L	H	L
L	H	L	H
L	H	H	H
H	L	L	L
H	L	H	H
H	H	L	L
H	H	H	H

FUNCTION SELECTION TABLE

LOGIC FUNCTION
2-to-1 data selector
2-input AND gate
2-input OR gate with one inverted input
2-input NAND gate with one inverted input
2-input AND gate with one inverted input
2-input NOR gate with one inverted input
2-input OR gate
Inverter
Noninverted buffer

### RECOMMENDED OPERATING CONDITIONS AND ELECTRICAL CHARACTERISTICS

PARAMETER	MAX or MIN	AUP 3.3V	AUP 2.5V	UNIT
$I_{CC}$	MAX	0.0009	0.0009	mA
$I_{OH}$	MAX	-4	-3.1	mA
$I_{OL}$	MAX	4	3.1	mA

### SWITCHING CHARACTERISTICS

PARAMETER	INPUT	OUTPUT	MAX or MIN	AUP 3.3V	AUP 2.5V
$t_{PLH}$	$V_i = 1.8V$ , A, B, or C	Y	MAX	8.5	7.9
$t_{PHL}$				8.5	7.9
$t_{PLH}$	$V_i = 2.5V$ , A, B, or C	Y	MAX	6.1	7.1
$t_{PHL}$				6.1	7.1
$t_{PLH}$	$V_i = 3.3V$ , A, B, or C	Y	MAX	5.7	6.5
$t_{PHL}$				5.7	6.5

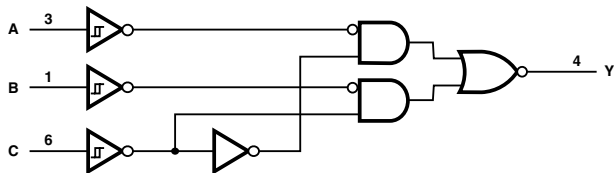
UNIT : ns

# 1T98

## SINGLE-SUPPLY VOLTAGE-LEVEL TRANSLATOR WITH NINE CONFIGURABLE GATE LOGIC FUNCTIONS

- Single-Supply Voltage Translator
- Nine Configurable Gate Logic Functions
- Scmitt-Trigger Inputs Reject Input Noise and Provide Better Output Signal Integrity

Logic Diagram



FUNCTION TABLE

INPUTS			OUTPUT Y
C	B	A	
L	L	L	H
L	L	H	H
L	H	L	L
L	H	H	L
H	L	L	H
H	L	H	L
H	H	L	H
H	H	H	L

FUNCTION SELECTION TABLE

LOGIC FUNCTION
2-to-1 data selector
2-input AND gate
2-input OR gate with one inverted input
2-input NAND gate with one inverted input
2-input AND gate with one inverted input
2-input NOR gate with one inverted input
2-input OR gate
Inverter
Noninverted buffer

### RECOMMENDED OPERATING CONDITIONS AND ELECTRICAL CHARACTERISTICS

PARAMETER	MAX or MIN	AUP 3.3V	AUP 2.5V	UNIT
$I_{CC}$	MAX	0.0009	0.0009	mA
$I_{OH}$	MAX	-4	-3.1	mA
$I_{OL}$	MAX	4	3.1	mA

### SWITCHING CHARACTERISTICS

PARAMETER	INPUT	OUTPUT	MAX or MIN	AUP 3.3V	AUP 2.5V	
$t_{rHL}$	$V_i = 1.8V$	A, B, or C	Y	MAX	8.5	7.9
					8.5	7.9
$t_{rHL}$	$V_i = 2.5V$	A, B, or C	Y	MAX	6.1	7.1
					6.1	7.1
$t_{rHL}$	$V_i = 3.3V$	A, B, or C	Y	MAX	5.7	6.5
					5.7	6.5

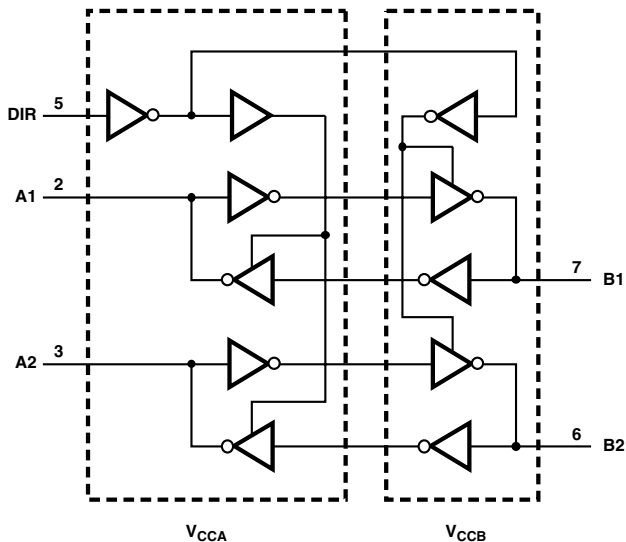
UNIT : ns

## 2T45

### DUAL-BIT DUAL-SUPPLY BUS TRANSCEIVER WITH CONFIGURABLE VOLTAGE TRANSLATION AND 3-STATE OUTPUTS

- Control Inputs  $V_{IH}/V_{IL}$  Levels Are Referenced to  $V_{CCA}$  Voltage
- This Dual-Bit Noninverting Bus Transceiver Uses Two Separate Configurable Power-Supply Rails
- Designed for asynchronous Communication Between Two Data Buses

Logic Diagram



FUNCTION TABLE<sup>(1)</sup>  
(each transceiver)

INPUT	OPERATION
DIR	
L	B data to A bus
H	A data to B bus

(1) Input circuits of the data I/Os always are active.

**RECOMMENDED OPERATING CONDITIONS AND ELECTRICAL CHARACTERISTICS**

PARAMETER	MAX or MIN	LVC 5V	LVC 3.3V	LVC 2.5V	LVC 1.8V	AVC 3.3V	AVC 2.5V	AVC 1.8V	AVC 1.5V	AVCH 3.3V	AVCH 2.5V	AVCH 1.8V	AVCH 1.5V	UNIT
$I_{CC}^*$	MAX	0.004	0.004	0.004	0.004	0.02	0.02	0.02	0.02	0.02	0.02	0.02	0.02	mA
$I_{OH}$	MAX	-32	-24	-8	-4	-12	-9	-8	-6	-12	-9	-8	-6	mA
$I_{OL}$	MAX	32	24	8	4	12	9	8	6	12	9	8	6	mA

 $*I_{CCA} + I_{CCB}$ 
**SWITCHING CHARACTERISTICS**

$V_{CCA} = 1.5V$													
PARAMETER	INPUT	OUTPUT	MAX or MIN	AVC 3.3V	AVC 2.5V	AVC 1.8V	AVC 1.5V	AVCH 3.3V	AVCH 2.5V	AVCH 1.8V	AVCH 1.5V		
$t_{PLH}$	A	B	MAX	3.5	3.7	4.6	5.4	3.5	3.7	4.6	5.4		
$t_{PHL}$				3.5	3.7	4.6	5.4	3.5	3.7	4.6	5.4		
$t_{PLH}$	B	A	MAX	4.7	4.9	5.2	5.4	4.7	4.9	5.2	5.4		
$t_{PHL}$				4.7	4.9	5.2	5.4	4.7	4.9	5.2	5.4		
$t_{FHLZ}$	DIR	A	MAX	7.6	7.7	7.8	8.5	4.6	5.5	7.1	8.5		
$t_{FLZ}$				7.6	7.7	7.8	8.5	4.6	5.5	7.1	8.5		
$t_{FHLZ}$	DIR	B	MAX	7.1	6.9	6.9	7	7.1	6.9	6.9	7		
$t_{FLZ}$				7.1	6.9	6.9	7	7.1	6.9	6.9	7		
$t_{E2H}^*$	DIR	A	MAX	11.8	11.8	12.1	12.4	11.8	11.8	12.1	12.4		
$t_{E2L}^*$				11.8	11.8	12.1	12.4	11.8	11.8	12.1	12.4		
$t_{E2H}^*$	DIR	B	MAX	7.8	9.1	11.6	13.9	7.8	9.1	11.6	13.9		
$t_{E2L}^*$				7.8	9.1	11.6	13.9	7.8	9.1	11.6	13.9		

UNIT : ns

\*The enable time is a calculated value, derived using the formula shown in the enable times section.

$V_{CCA} = 1.8V$													
PARAMETER	INPUT	OUTPUT	MAX or MIN	LVC 5V	LVC 3.3V	LVC 2.5V	LVC 1.8V	AVC 3.3V	AVC 2.5V	AVC 1.8V	AVC 1.5V		
$t_{PLH}$	A	B	MAX	7.2	8.3	10.3	17.7	3.1	3.4	4.3	5.2		
$t_{PHL}$				7	7.1	8.5	14.3	3.1	3.4	4.3	5.2		
$t_{PLH}$	B	A	MAX	15.1	15.5	16	17.7	3.8	4	4.4	4.7		
$t_{PHL}$				12.2	12.6	12.9	14.3	3.8	4	4.4	4.7		
$t_{FHLZ}$	DIR	A	MAX	29.3	30.5	30.5	30.9	5.2	5.3	6.9	8.1		
$t_{FLZ}$				19.4	19.5	19.6	19.7	5.2	5.3	6.9	8.1		
$t_{FHLZ}$	DIR	B	MAX	8.6	11.3	14.9	27.9	5.9	5.7	5.9	5.8		
$t_{FLZ}$				7.1	9.7	12.6	19.5	5.9	5.7	5.9	5.8		
$t_{E2H}^*$	DIR	A	MAX	22.2	25.2	28.6	37.2	9.7	9.7	10.3	10.4		
$t_{E2L}^*$				20.8	23.9	27.8	42.2	9.7	9.7	10.3	10.4		
$t_{E2H}^*$	DIR	B	MAX	26.6	27.8	29.9	37.4	8.3	8.6	11.2	13.3		
$t_{E2L}^*$				36.3	37.6	39	45.2	8.3	8.6	11.2	13.3		

$V_{CCA} = 1.8V$													
PARAMETER	INPUT	OUTPUT	MAX or MIN	AVCH 3.3V	AVCH 2.5V	AVCH 1.8V	AVCH 1.5V						
$t_{PLH}$	A	B	MAX	3.1	3.4	4.3	5.2						
$t_{PHL}$				3.1	3.4	4.3	5.2						
$t_{PLH}$	B	A	MAX	3.8	4	4.4	4.7						
$t_{PHL}$				3.8	4	4.4	4.7						
$t_{FHLZ}$	DIR	A	MAX	4.5	5.3	6.9	8.1						
$t_{FLZ}$				4.5	5.3	6.9	8.1						
$t_{FHLZ}$	DIR	B	MAX	5.9	5.7	5.9	5.8						
$t_{FLZ}$				5.9	5.7	5.9	5.8						
$t_{E2H}^*$	DIR	A	MAX	9.7	9.7	10.3	10.4						
$t_{E2L}^*$				9.7	9.7	10.3	10.4						
$t_{E2H}^*$	DIR	B	MAX	7.4	8.6	11.2	13.3						
$t_{E2L}^*$				7.4	8.6	11.2	13.3						

UNIT : ns

\*The enable time is a calculated value, derived using the formula shown in the enable times section.

V <sub>CCA</sub> = 2.5V											
PARAMETER	INPUT	OUTPUT	MAX or MIN	LVC 5V	LVC 3.3V	LVC 2.5V	LVC 1.8V	AVC 3.3V	AVC 2.5V	AVC 1.8V	AVC 1.5V
t <sub>PLH</sub>	A	B	MAX	5.1	6.4	8.5	16	2.6	3	4	4.9
t <sub>PHL</sub>				4.6	5.4	7.5	12.9	2.6	3	4	4.9
t <sub>PLH</sub>	B	A	MAX	7.5	8	8.5	10.3	2.8	3	3.4	3.8
t <sub>PHL</sub>				6.2	7	7.5	8.5	2.8	3	3.4	3.8
t <sub>PLZ</sub>	DIR	A	MAX	16.5	16.8	16.8	17.1	4.3	5	6.4	7.9
t <sub>PHZ</sub>				12.3	12.3	12.5	12.6	4.3	5	6.4	7.9
t <sub>PLZ</sub>	DIR	B	MAX	7.6	10.5	13.9	27.9	4.1	4.2	4.3	4.3
t <sub>PHZ</sub>				6.2	8.9	11.2	18.9	4.1	4.2	4.3	4.3
t <sub>PLZ*</sub>	DIR	A	MAX	13.7	16.9	19.7	29.2	6.9	7.2	7.7	7.9
t <sub>PHZ*</sub>				13.8	17.5	21.4	36.4	6.9	7.2	7.7	7.9
t <sub>PLZ*</sub>	DIR	B	MAX	17.4	18.7	21	28.6	6.8	7.9	10.4	12.8
t <sub>PHZ*</sub>				21.1	22.2	24.3	30	6.8	7.9	10.4	12.8

V <sub>CCA</sub> = 2.5V							
PARAMETER	INPUT	OUTPUT	MAX or MIN	AVCH 3.3V	AVCH 2.5V	AVCH 1.8V	AVCH 1.5V
t <sub>PLH</sub>	A	B	MAX	2.6	3	4	4.9
t <sub>PHL</sub>				2.6	3	4	4.9
t <sub>PLH</sub>	B	A	MAX	2.8	3	3.4	3.8
t <sub>PHL</sub>				2.8	3	3.4	3.8
t <sub>PLZ</sub>	DIR	A	MAX	4.3	5	6.4	7.9
t <sub>PHZ</sub>				4.3	5	6.4	7.9
t <sub>PLZ</sub>	DIR	B	MAX	4.1	4.2	4.3	4.3
t <sub>PHZ</sub>				4.1	4.2	4.3	4.3
t <sub>PLZ*</sub>	DIR	A	MAX	6.9	7.2	7.7	7.9
t <sub>PHZ*</sub>				6.9	7.2	7.7	7.9
t <sub>PLZ*</sub>	DIR	B	MAX	6.8	7.9	10.4	12.8
t <sub>PHZ*</sub>				6.8	7.9	10.4	12.8

UNIT : ns

\*The enable time is a calculated value, derived using the formula shown in the enable times section.

V <sub>CCA</sub> = 3.3V											
PARAMETER	INPUT	OUTPUT	MAX or MIN	LVC 5V	LVC 3.3V	LVC 2.5V	LVC 1.8V	AVC 3.3V	AVC 2.5V	AVC 1.8V	AVC 1.5V
t <sub>PLH</sub>	A	B	MAX	4.4	5.8	8	15.5	2.4	2.8	3.8	4.7
t <sub>PHL</sub>				4	5	7	12.6	2.4	2.8	3.8	4.7
t <sub>PLH</sub>	B	A	MAX	5.4	5.8	6.4	8.3	2.4	2.6	3.1	3.6
t <sub>PHL</sub>				4.5	5	5.4	7.1	2.4	2.6	3.1	3.6
t <sub>PLZ</sub>	DIR	A	MAX	10.4	10.8	10.8	10.9	4	4.7	6.5	8
t <sub>PHZ</sub>				7.8	8.1	8.4	8.4	4	4.7	6.5	8
t <sub>PLZ</sub>	DIR	B	MAX	7.4	10.4	13.7	27.3	4.2	4.6	5.6	6.6
t <sub>PHZ</sub>				5.6	8.3	11.3	17.7	4.2	4.6	5.6	6.6
t <sub>PLZ*</sub>	DIR	A	MAX	11	14.1	17.7	26	6.6	6.2	6.6	6.9
t <sub>PHZ*</sub>				11.9	15.4	19.1	34.4	6.6	6.2	6.6	6.9
t <sub>PLZ*</sub>	DIR	B	MAX	12.2	13.9	16.4	23.9	6.3	7.4	10.3	12.7
t <sub>PHZ*</sub>				14.4	15.8	17.8	23.5	6.3	7.4	10.3	12.7

V <sub>CCA</sub> = 3.3V							
PARAMETER	INPUT	OUTPUT	MAX or MIN	AVCH 3.3V	AVCH 2.5V	AVCH 1.8V	AVCH 1.5V
t <sub>PLH</sub>	A	B	MAX	2.4	2.8	3.8	4.7
t <sub>PHL</sub>				2.4	2.8	3.8	4.7
t <sub>PLH</sub>	B	A	MAX	2.4	2.6	3.1	3.6
t <sub>PHL</sub>				2.4	2.6	3.1	3.6
t <sub>PLZ</sub>	DIR	A	MAX	4	4.7	6.5	8
t <sub>PHZ</sub>				4	4.7	6.5	8
t <sub>PLZ</sub>	DIR	B	MAX	3.5	4.6	5.6	6.6
t <sub>PHZ</sub>				3.5	4.6	5.6	6.6
t <sub>PLZ*</sub>	DIR	A	MAX	5.9	6.2	6.6	6.9
t <sub>PHZ*</sub>				5.9	6.2	6.6	6.9
t <sub>PLZ*</sub>	DIR	B	MAX	6.3	7.4	10.3	12.7
t <sub>PHZ*</sub>				6.3	7.4	10.3	12.7

UNIT : ns

\*The enable time is a calculated value, derived using the formula shown in the enable times section.

V <sub>CCA</sub> = 5.0V							
PARAMETER	INPUT	OUTPUT	MAX or MIN	LVC 5V	LVC 3.3V	LVC 2.5V	LVC 1.8V
t <sub>PH</sub>	A	B	MAX	3.9	5.4	7.5	15.1
t <sub>PL</sub>				3.5	4.5	6.2	12.2
t <sub>PH</sub>	B	A	MAX	3.9	4.4	5.1	7.2
t <sub>PL</sub>				3.5	4	4.6	7
t <sub>PHZ</sub>	DIR	A	MAX	5.4	5.5	5.4	5.4
t <sub>PLZ</sub>				3.7	3.7	3.8	3.8
t <sub>PHZ</sub>	DIR	B	MAX	6.5	8.5	9.8	20.2
t <sub>PLZ</sub>				4.5	7	7.4	14.8
t <sub>PHZ</sub> *	DIR	A	MAX	8.4	11.4	12.5	22
t <sub>PLZ</sub> *				10	12.5	14.4	27.2
t <sub>PHZ</sub> *	DIR	B	MAX	7.6	9.1	11.3	18.9
t <sub>PLZ</sub> *				8.6	10	11.6	17.6

UNIT : ns

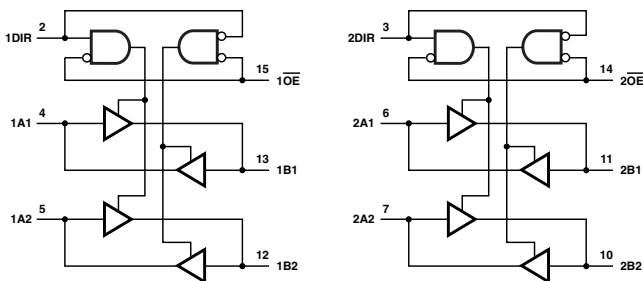
\*The enable time is a calculated value, derived using the formula shown in the enable times section.

# 4T245

## 4-BIT DUAL-SUPPLY BUS TRANSCEIVER WITH CONFIGURABLE VOLTAGE TRANSLATION AND 3-STATE OUTPUTS

- Control Inputs  $V_{IH}/V_{IL}$  Levels Are Referenced to  $V_{CCA}$  Voltage
- This 4-Bit Noninverting Bus Transceiver Uses Two Separate Configurable Power-Supply Rails
- Designed for asynchronous Communication Between Data Buses

### Logic Diagram



**FUNCTION TABLE**  
(each 4-bit section)

INPUTS		OPERATION
$\overline{OE}$	DIR	
L	L	B data to A bus
L	H	A data to B bus
H	X	All output Hi-Z

### RECOMMENDED OPERATING CONDITIONS AND ELECTRICAL CHARACTERISTICS

PARAMETER	MAX or MIN	AVC 3.3V	AVC 2.5V	AVC 1.8V	AVC 1.5V	AVCH 3.3V	AVCH 2.5V	AVCH 1.8V	AVCH 1.5V	UNIT
$I_{CC}^*$	MAX	0.016	0.016	0.016	0.016	0.016	0.016	0.016	0.016	mA
$I_{OH}$	MAX	-12	-9	-8	-6	-12	-9	-8	-6	mA
$I_{OL}$	MAX	12	9	8	6	12	9	8	6	mA

\* $I_{CCA} + I_{CCB}$

### SWITCHING CHARACTERISTICS

PARAMETER	INPUT	OUTPUT	MAX or MIN	$V_{CCA} = 1.5V$							
				AVC 3.3V	AVC 2.5V	AVC 1.8V	AVC 1.5V	AVCH 3.3V	AVCH 2.5V	AVCH 1.8V	AVCH 1.5V
$t_{PLH}$	A	B	MAX	4.2	4.2	5.2	6.3	4.2	4.2	5.2	6.3
$t_{PHL}$				4.2	4.2	5.2	6.3	4.2	4.2	5.2	6.3
$t_{PLH}$	B	A	MAX	5.6	5.7	6	6.3	5.6	5.7	6	6.3
$t_{PHL}$				5.6	5.7	6	6.3	5.6	5.7	6	6.3
$t_{r2H}$	$\overline{OE}$	A	MAX	9.4	9.4	9.5	9.6	9.4	9.4	9.5	9.6
$t_{r2L}$				9.4	9.4	9.5	9.6	9.4	9.4	9.5	9.6
$t_{r2H}$	$\overline{OE}$	B	MAX	5.6	5.8	7.7	9.6	5.6	5.8	7.7	9.6
$t_{r2L}$				5.6	5.8	7.7	9.6	5.6	5.8	7.7	9.6
$t_{r2H}$	$\overline{OE}$	A	MAX	10.2	10.2	10.2	10.2	10.2	10.2	10.2	10.2
$t_{r2L}$				10.2	10.2	10.2	10.2	10.2	10.2	10.2	10.2
$t_{r2H}$	$\overline{OE}$	B	MAX	7.6	7.4	9.1	10.3	7.6	7.4	9.1	10.3
$t_{r2L}$				7.6	7.4	9.1	10.3	7.6	7.4	9.1	10.3

UNIT: ns



V <sub>CCA</sub> = 1.8V											
PARAMETER	INPUT	OUTPUT	MAX or MIN	AVC 3.3V	AVC 2.5V	AVC 1.8V	AVC 1.5V	AVCH 3.3V	AVCH 2.5V	AVCH 1.8V	AVCH 1.5V
t <sub>PLH</sub>	A	B	MAX	3.9	3.9	4.9	6	3.9	3.9	4.9	6
t <sub>PHL</sub>				3.9	3.9	4.9	6	3.9	3.9	4.9	6
t <sub>PLH</sub>	B	A	MAX	4.5	4.6	4.9	5.3	4.5	4.6	4.9	5.3
t <sub>PHL</sub>				4.5	4.6	4.9	5.3	4.5	4.6	4.9	5.3
t <sub>PLZH</sub>	0 $\bar{E}$	A	MAX	7.2	7.3	7.3	7.4	7.2	7.3	7.3	7.4
t <sub>PLZL</sub>				7.2	7.3	7.3	7.4	7.2	7.3	7.3	7.4
t <sub>PLZH</sub>	0 $\bar{E}$	B	MAX	4.6	5.3	7.4	9.2	4.6	5.3	7.4	9.2
t <sub>PLZL</sub>				4.6	5.3	7.4	9.2	4.6	5.3	7.4	9.2
t <sub>PLZH</sub>	0 $\bar{E}$	A	MAX	8.7	8.7	8.7	8.6	8.7	8.7	8.7	8.6
t <sub>PLZL</sub>				8.7	8.7	8.7	8.6	8.7	8.7	8.7	8.6
t <sub>PLZH</sub>	0 $\bar{E}$	B	MAX	6.9	6.9	8.7	9.9	6.9	6.9	8.7	9.9
t <sub>PLZL</sub>				6.9	6.9	8.7	9.9	6.9	6.9	8.7	9.9

UNIT : ns

V <sub>CCA</sub> = 2.5V											
PARAMETER	INPUT	OUTPUT	MAX or MIN	AVC 3.3V	AVC 2.5V	AVC 1.8V	AVC 1.5V	AVCH 3.3V	AVCH 2.5V	AVCH 1.8V	AVCH 1.5V
t <sub>PLH</sub>	A	B	MAX	3.6	3.5	4.6	5.7	3.6	3.5	4.6	5.7
t <sub>PHL</sub>				3.6	3.5	4.6	5.7	3.6	3.5	4.6	5.7
t <sub>PLH</sub>	B	A	MAX	3.3	3.4	3.9	4.2	3.3	3.4	3.9	4.2
t <sub>PHL</sub>				3.3	3.4	3.9	4.2	3.3	3.4	3.9	4.2
t <sub>PLZH</sub>	0 $\bar{E}$	A	MAX	4.8	4.8	5.2	6.5	4.8	4.8	5.2	6.5
t <sub>PLZL</sub>				4.8	4.8	5.2	6.5	4.8	4.8	5.2	6.5
t <sub>PLZH</sub>	0 $\bar{E}$	B	MAX	4	4.8	7	8.8	4	4.8	7	8.8
t <sub>PLZL</sub>				4	4.8	7	8.8	4	4.8	7	8.8
t <sub>PLZH</sub>	0 $\bar{E}$	A	MAX	6.6	6.2	8.4	8.4	6.6	6.2	8.4	8.4
t <sub>PLZL</sub>				6.6	6.2	8.4	8.4	6.6	6.2	8.4	8.4
t <sub>PLZH</sub>	0 $\bar{E}$	B	MAX	5.2	6.2	8.2	9.4	5.2	6.2	8.2	9.4
t <sub>PLZL</sub>				5.2	6.2	8.2	9.4	5.2	6.2	8.2	8.8

UNIT : ns

V <sub>CCA</sub> = 3.3V											
PARAMETER	INPUT	OUTPUT	MAX or MIN	AVC 3.3V	AVC 2.5V	AVC 1.8V	AVC 1.5V	AVCH 3.3V	AVCH 2.5V	AVCH 1.8V	AVCH 1.5V
t <sub>PLH</sub>	A	B	MAX	2.9	3.3	4.5	5.6	2.9	3.3	4.5	5.6
t <sub>PHL</sub>				2.9	3.3	4.5	5.6	2.9	3.3	4.5	5.6
t <sub>PLH</sub>	B	A	MAX	2.8	3	3.4	4.2	2.8	3	3.4	4.2
t <sub>PHL</sub>				2.8	3	3.4	4.2	2.8	3	3.4	4.2
t <sub>PLZH</sub>	0 $\bar{E}$	A	MAX	3.8	3.8	5.2	8.7	3.8	3.8	5.2	8.7
t <sub>PLZL</sub>				3.8	3.8	5.2	8.7	3.8	3.8	5.2	8.7
t <sub>PLZH</sub>	0 $\bar{E}$	B	MAX	3.8	4.7	6.8	8.7	3.8	4.7	6.8	8.7
t <sub>PLZL</sub>				3.8	4.7	6.8	8.7	3.8	4.7	6.8	8.7
t <sub>PLZH</sub>	0 $\bar{E}$	A	MAX	6.6	5.6	8.3	9.3	6.6	5.6	8.3	9.3
t <sub>PLZL</sub>				6.6	5.6	8.3	9.3	6.6	5.6	8.3	9.3
t <sub>PLZH</sub>	0 $\bar{E}$	B	MAX	6.2	6.4	8.1	9.3	6.2	6.4	8.1	9.3
t <sub>PLZL</sub>				6.2	6.4	8.1	9.3	6.2	6.4	8.1	9.3

UNIT : ns



**RECOMMENDED OPERATING CONDITIONS AND ELECTRICAL CHARACTERISTICS**

PARAMETER	MAX or MIN	LVC 5V	LVC 3.3V	LVC 2.5V	LVC 1.8V	LVCH 5V	LVCH 3.3V	LVCH 2.5V	LVCH 1.8V	UNIT
$I_{CC}^*$	MAX	0.025	0.025	0.025	0.025	0.03	0.03	0.03	0.03	mA
$I_{OH}$	MAX	-32	-24	-8	-4	-32	-24	-8	-4	mA
$I_{OL}$	MAX	32	24	8	4	32	24	8	4	mA

PARAMETER	MAX or MIN	AVC 3.3V	AVC 2.5V	AVC 1.8V	AVC 1.5V	AVCH 3.3V	AVCH 2.5V	AVCH 1.8V	AVCH 1.5V	UNIT
$I_{CC}^*$	MAX	0.025	0.025	0.025	0.025	0.025	0.025	0.025	0.025	mA
$I_{OH}$	MAX	-12	-9	-8	-6	-12	-9	-8	-6	mA
$I_{OL}$	MAX	12	9	8	6	12	9	8	6	mA

 $*I_{CDA} + I_{CCB}$ 
**SWITCHING CHARACTERISTICS**

V <sub>CCA</sub> = 1.5V												
PARAMETER	INPUT	OUTPUT	MAX or MIN	AVC 3.3V	AVC 2.5V	AVC 1.8V	AVC 1.5V	AVCH 3.3V	AVCH 2.5V	AVCH 1.8V	AVCH 1.5V	
$t_{PLH}$	A	B	MAX	6.8	4.9	4.6	5.4	6.8	4.9	4.6	5.4	
				6.8	4.9	4.6	5.4	6.8	4.9	4.6	5.4	
$t_{PHL}$	B	A	MAX	4.5	4.7	5.1	5.4	4.5	4.7	5.1	5.4	
				4.5	4.7	5.1	5.4	4.5	4.7	5.1	5.4	
$t_{PZH}$	$\overline{OE}$	A	MAX	8.7	8.7	8.7	8.7	8.7	8.7	8.7	8.7	
				8.7	8.7	8.7	8.7	8.7	8.7	8.7	8.7	
$t_{PZL}$	$\overline{OE}$	B	MAX	5.2	5.6	7.1	7.6	5.2	5.6	7.1	7.6	
				5.2	5.6	7.1	7.6	5.2	5.6	7.1	7.6	
$t_{PHZ}$	$\overline{OE}$	A	MAX	8.6	8.6	8.6	8.6	8.6	8.6	8.6	8.6	
				8.6	8.6	8.6	8.6	8.6	8.6	8.6	8.6	
$t_{PLZ}$	$\overline{OE}$	B	MAX	7.8	7.2	7.6	8.4	7.8	7.2	7.6	8.4	
				7.8	7.2	7.6	8.4	7.8	7.2	7.6	8.4	

UNIT : ns

V <sub>CCA</sub> = 1.8V												
PARAMETER	INPUT	OUTPUT	MAX or MIN	LVC 5V	LVC 3.3V	LVC 2.5V	LVC 1.8V	LVCH 5V	LVCH 3.3V	LVCH 2.5V	LVCH 1.8V	
$t_{PLH}$	A	B	MAX	7.1	7.4	9.2	21.9	7.1	7.4	9.2	21.9	
				7.1	7.4	9.2	21.9	7.1	7.4	9.2	21.9	
$t_{PHL}$	B	A	MAX	23.4	23.4	23.6	23.8	23.4	23.4	23.6	23.8	
				23.4	23.4	23.6	23.8	23.4	23.4	23.6	23.8	
$t_{PZH}$	$\overline{OE}$	A	MAX	23.7	23.7	23.8	24	23.7	23.7	23.8	24	
				23.7	23.7	23.8	24	23.7	23.7	23.8	24	
$t_{PZL}$	$\overline{OE}$	B	MAX	10.8	12.6	16	32	10.8	12.6	16	32	
				10.8	12.6	16	32	10.8	12.6	16	32	
$t_{PHZ}$	$\overline{OE}$	A	MAX	29.2	29.3	29.4	29.6	29.2	29.3	29.4	29.6	
				29.2	29.3	29.4	29.6	29.2	29.3	29.4	29.6	
$t_{PLZ}$	$\overline{OE}$	B	MAX	10.3	12	13.1	32.2	10.3	12	13.1	32.2	
				10.3	12	13.1	32.2	10.3	12	13.1	32.2	

V <sub>CCA</sub> = 1.8V												
PARAMETER	INPUT	OUTPUT	MAX or MIN	AVC 3.3V	AVC 2.5V	AVC 1.8V	AVC 1.5V	AVCH 3.3V	AVCH 2.5V	AVCH 1.8V	AVCH 1.5V	
$t_{PLH}$	A	B	MAX	3.9	4	4.4	5.1	3.9	4	4.4	5.1	
				3.9	4	4.4	5.1	3.9	4	4.4	5.1	
$t_{PHL}$	B	A	MAX	3.7	3.9	4.4	4.6	3.7	3.9	4.4	4.6	
				3.7	3.9	4.4	4.6	3.7	3.9	4.4	4.6	
$t_{PZH}$	$\overline{OE}$	A	MAX	6.8	6.8	6.8	6.8	6.8	6.8	6.8	6.8	
				6.8	6.8	6.8	6.8	6.8	6.8	6.8	6.8	
$t_{PZL}$	$\overline{OE}$	B	MAX	4.5	5.1	6.7	8.2	4.5	5.1	6.7	8.2	
				4.5	5.1	6.7	8.2	4.5	5.1	6.7	8.2	
$t_{PHZ}$	$\overline{OE}$	A	MAX	7.1	7.1	7.1	7.1	7.1	7.1	7.1	7.1	
				7.1	7.1	7.1	7.1	7.1	7.1	7.1	7.1	
$t_{PLZ}$	$\overline{OE}$	B	MAX	5.8	6	6.9	7.8	5.8	6	6.9	7.8	
				5.8	6	6.9	7.8	5.8	6	6.9	7.8	

UNIT : ns

V <sub>CCA</sub> = 2.5V											
PARAMETER	INPUT	OUTPUT	MAX or MIN	LVC 5V	LVC 3.3V	LVC 2.5V	LVC 1.8V	LVCH 5V	LVCH 3.3V	LVCH 2.5V	LVCH 1.8V
t <sub>PLH</sub>	A	B	MAX	4.8	6.2	9	21.4	4.8	6.2	9	21.4
t <sub>PHL</sub>				4.8	6.2	9	21.4	4.8	6.2	9	21.4
t <sub>PLH</sub>	B	A	MAX	8.8	8.9	9.1	9.3	8.8	8.9	9.1	9.3
t <sub>PHL</sub>				8.8	8.9	9.1	9.3	8.8	8.9	9.1	9.3
t <sub>2PH</sub>	$\overline{OE}$	A	MAX	10.9	10.9	10.9	10.9	10.9	10.9	10.9	10.9
t <sub>2PL</sub>				10.9	10.9	10.9	10.9	10.9	10.9	10.9	10.9
t <sub>2PH</sub>	$\overline{OE}$	B	MAX	6.9	9.4	12.9	28.2	6.9	9.4	12.9	28.2
t <sub>2PL</sub>				6.9	9.4	12.9	28.2	6.9	9.4	12.9	28.2
t <sub>PHZ</sub>	$\overline{OE}$	A	MAX	9	9	9	9	9	9	9	9
t <sub>PLZ</sub>				9	9	9	9	9	9	9	9
t <sub>PHZ</sub>	$\overline{OE}$	B	MAX	6.9	9.3	11	29.6	6.9	9.3	11	29.6
t <sub>PLZ</sub>				6.9	9.3	11	29.6	6.9	9.3	11	29.6

V <sub>CCA</sub> = 2.5V											
PARAMETER	INPUT	OUTPUT	MAX or MIN	AVC 3.3V	AVC 2.5V	AVC 1.8V	AVC 1.5V	AVCH 3.3V	AVCH 2.5V	AVCH 1.8V	AVCH 1.5V
t <sub>PLH</sub>	A	B	MAX	2.8	3.1	3.9	4.7	2.8	3.1	3.9	4.7
t <sub>PHL</sub>				2.8	3.1	3.9	4.7	2.8	3.1	3.9	4.7
t <sub>PLH</sub>	B	A	MAX	2.9	3.1	4	4.9	2.9	3.1	4	4.9
t <sub>PHL</sub>				2.9	3.1	4	4.9	2.9	3.1	4	4.9
t <sub>2PH</sub>	$\overline{OE}$	A	MAX	4.8	4.8	4.8	4.8	4.8	4.8	4.8	4.8
t <sub>2PL</sub>				4.8	4.8	4.8	4.8	4.8	4.8	4.8	4.8
t <sub>2PH</sub>	$\overline{OE}$	B	MAX	4	4.6	6.4	7.9	4	4.6	6.4	7.9
t <sub>2PL</sub>				4	4.6	6.4	7.9	4	4.6	6.4	7.9
t <sub>PHZ</sub>	$\overline{OE}$	A	MAX	5.1	5.1	5.1	5.1	5.1	5.1	5.1	5.1
t <sub>PLZ</sub>				5.1	5.1	5.1	5.1	5.1	5.1	5.1	5.1
t <sub>PHZ</sub>	$\overline{OE}$	B	MAX	3.9	5.1	6.3	7.1	3.9	5.1	6.3	7.1
t <sub>PLZ</sub>				3.9	5.1	6.3	7.1	3.9	5.1	6.3	7.1

UNIT : ns

V <sub>CCA</sub> = 3.3V											
PARAMETER	INPUT	OUTPUT	MAX or MIN	LVC 5V	LVC 3.3V	LVC 2.5V	LVC 1.8V	LVCH 5V	LVCH 3.3V	LVCH 2.5V	LVCH 1.8V
t <sub>PLH</sub>	A	B	MAX	4.4	6.3	8.8	21.2	4.4	6.2	8.8	21.2
t <sub>PHL</sub>				4.4	6.3	8.8	21.2	4.4	6.2	8.8	21.2
t <sub>PLH</sub>	B	A	MAX	6	6.1	6.2	7.2	6	6.1	6.2	7.2
t <sub>PHL</sub>				6	6.1	6.2	7.2	6	6.1	6.2	7.2
t <sub>2PH</sub>	$\overline{OE}$	A	MAX	8.1	8.1	8.1	8.1	8.1	8.1	8.1	8.1
t <sub>2PL</sub>				8.1	8.1	8.1	8.1	8.1	8.1	8.1	8.1
t <sub>2PH</sub>	$\overline{OE}$	B	MAX	6.4	8.5	12.4	27.7	6.4	8.5	12.4	27.7
t <sub>2PL</sub>				6.4	8.5	12.4	27.7	6.4	8.5	12.4	27.7
t <sub>PHZ</sub>	$\overline{OE}$	A	MAX	8.2	8.2	8.2	8.2	8.2	8.2	8.2	8.2
t <sub>PLZ</sub>				8.2	8.2	8.2	8.2	8.2	8.2	8.2	8.2
t <sub>PHZ</sub>	$\overline{OE}$	B	MAX	6.3	8.6	10.3	29	6.3	8.6	10.3	29
t <sub>PLZ</sub>				6.3	8.6	10.3	29	6.3	8.6	10.3	29

V <sub>CCA</sub> = 3.3V											
PARAMETER	INPUT	OUTPUT	MAX or MIN	AVC 3.3V	AVC 2.5V	AVC 1.8V	AVC 1.5V	AVCH 3.3V	AVCH 2.5V	AVCH 1.8V	AVCH 1.5V
t <sub>PLH</sub>	A	B	MAX	2.5	2.9	3.7	4.5	2.5	2.9	3.7	4.5
t <sub>PHL</sub>				2.5	2.9	3.7	4.5	2.5	2.9	3.7	4.5
t <sub>PLH</sub>	B	A	MAX	2.5	2.8	3.9	6.8	2.5	2.8	3.9	6.8
t <sub>PHL</sub>				2.5	2.8	3.9	6.8	2.5	2.8	3.9	6.8
t <sub>2PH</sub>	$\overline{OE}$	A	MAX	4	4	4	4	4	4	4	4
t <sub>2PL</sub>				4	4	4	4	4	4	4	4
t <sub>2PH</sub>	$\overline{OE}$	B	MAX	3.9	4.5	6.2	7.8	3.9	4.5	6.2	7.8
t <sub>2PL</sub>				3.9	4.5	6.2	7.8	3.9	4.5	6.2	7.8
t <sub>PHZ</sub>	$\overline{OE}$	A	MAX	4	4	4	4	4	4	4	4
t <sub>PLZ</sub>				4	4	4	4	4	4	4	4
t <sub>PHZ</sub>	$\overline{OE}$	B	MAX	4.2	4.8	6	6.9	4.2	4.8	6	6.9
t <sub>PLZ</sub>				4.2	4.8	6	6.9	4.2	4.8	6	6.9

UNIT : ns

V <sub>CCA</sub> = 5.0V											
PARAMETER	INPUT	OUTPUT	MAX or MIN	LVC 5V	LVC 3.3V	LVC 2.5V	LVC 1.8V	LVCH 5V	LVCH 3.3V	LVCH 2.5V	LVCH 1.8V
t <sub>PHL</sub>	A	B	MAX	4.2	6	8.8	21.4	4.2	6	8.8	21.4
t <sub>PHL</sub>				4.2	6	8.8	21.4	4.2	6	8.8	21.4
t <sub>PLH</sub>	B	A	MAX	4.3	4.5	4.8	7	4.3	4.5	4.8	7
t <sub>PLH</sub>				4.3	4.5	4.8	7	4.3	4.5	4.8	7
t <sub>PHL</sub>	$\overline{OE}$	A	MAX	6.4	6.4	6.4	6.4	6.4	6.4	6.4	6.4
t <sub>PHL</sub>				6.4	6.4	6.4	6.4	6.4	6.4	6.4	6.4
t <sub>PHL</sub>	$\overline{OE}$	B	MAX	6	8.1	11.4	27.6	6	8.1	11.4	27.6
t <sub>PHL</sub>				6	8.1	11.4	27.6	6	8.1	11.4	27.6
t <sub>PLH</sub>	$\overline{OE}$	A	MAX	5.4	5.4	5.4	5.4	5.4	5.4	5.4	5.4
t <sub>PLH</sub>				5.4	5.4	5.4	5.4	5.4	5.4	5.4	5.4
t <sub>PLH</sub>	$\overline{OE}$	B	MAX	5.7	8	9.7	28.7	5.7	8	9.7	28.7
t <sub>PLH</sub>				5.7	8	9.7	28.7	5.7	8	9.7	28.7

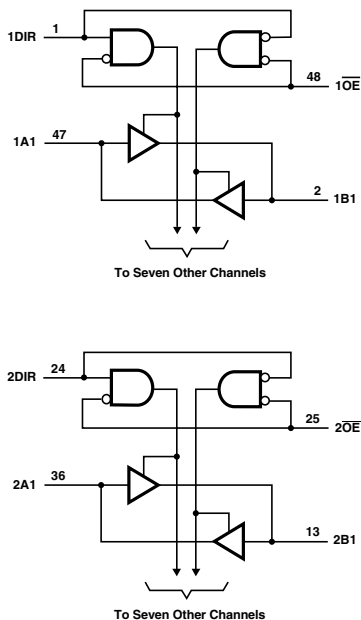
UNIT : ns

# 16T245

## 16-BIT DUAL-SUPPLY BUS TRANSCEIVER WITH CONFIGURABLE VOLTAGE TRANSLATION AND 3-STATE OUTPUTS

- Control Inputs  $V_{IH}/V_{IL}$  Levels Are Referenced to  $V_{CCA}$  Voltage
- $V_{CC}$  Isolation Feature - If Either  $V_{CC}$  Input Is at GND, Both Ports Are in the High-Impedance State
- Overvoltage-Tolerant Inputs / Outputs Allow Mixed-Voltage-Mode Data Communications
- This 16-Bit Noninverting Bus Transceiver Uses Two Separate Configurable Power-Supply Rails
- Designed for asynchronous Communication Between Data Buses

Logic Diagram



FUNCTION TABLE  
(each 8-bit section)

INPUTS		OPERATION
$\overline{OE}$	DIR	
L	L	B data to A bus
L	H	A data to B bus
H	X	Isolation

**RECOMMENDED OPERATING CONDITIONS AND ELECTRICAL CHARACTERISTICS**

PARAMETER	MAX or MIN	LVC 5V	LVC 3.3V	LVC 2.5V	LVC 1.8V	LVCH 5V	LVCH 3.3V	LVCH 2.5V	LVCH 1.8V	UNIT
$I_{CC}^*$	MAX	0.03	0.03	0.03	0.03	0.03	0.03	0.03	0.03	mA
$I_{OH}$	MAX	-32	-24	-8	-4	-32	-24	-8	-4	mA
$I_{OL}$	MAX	32	24	8	4	32	24	8	4	mA

PARAMETER	MAX or MIN	AVC 3.3V	AVC 2.5V	AVC 1.8V	AVC 1.8V	AVCH 3.3V	AVCH 2.5V	AVCH 1.8V	AVCH 1.8V	UNIT
$I_{CC}^*$	MAX	0.045	0.045	0.045	0.045	0.045	0.045	0.045	0.045	mA
$I_{OH}$	MAX	-12	-9	-8	-6	-12	-9	-8	-6	mA
$I_{OL}$	MAX	12	9	8	6	12	9	8	6	mA

 $*I_{CCA} + I_{CCB}$ 
**SWITCHING CHARACTERISTICS**

V <sub>CCA</sub> = 1.5V												
PARAMETER	INPUT	OUTPUT	MAX or MIN	AVC 3.3V	AVC 2.5V	AVC 1.8V	AVC 1.5V	AVCH 3.3V	AVCH 2.5V	AVCH 1.8V	AVCH 1.5V	
$t_{PLH}$	A	B	MAX	3.7	4.1	5.2	6.2	3.7	4.1	5.2	6.2	
$t_{PHL}$				3.7	4.1	5.2	6.2	3.7	4.1	5.2	6.2	
$t_{PLH}$	B	A	MAX	5.5	5.6	5.9	6.2	5.5	5.6	5.9	6.2	
$t_{PHL}$				5.5	5.6	5.9	6.2	5.5	5.6	5.9	6.2	
$t_{PZH}$	$\overline{OE}$	A	MAX	10.1	10.1	10.1	10.1	10.1	10.1	10.1	10.1	
$t_{PZL}$				10.1	10.1	10.1	10.1	10.1	10.1	10.1		
$t_{PZH}$	$\overline{OE}$	B	MAX	5.2	5.9	8.1	10.1	5.2	5.9	8.1	10.1	
$t_{PZL}$				5.2	5.9	8.1	10.1	5.2	5.9	8.1	10.1	
$t_{PHZ}$	$\overline{OE}$	A	MAX	9.1	9.1	9.1	9.1	9.1	9.1	9.1	9.1	
$t_{PLZ}$				9.1	9.1	9.1	9.1	9.1	9.1	9.1		
$t_{PHZ}$	$\overline{OE}$	B	MAX	6.3	6.5	7.5	8.7	6.3	6.5	7.5	8.7	
$t_{PLZ}$				6.3	6.5	7.5	8.7	6.3	6.5	7.5	8.7	

UNIT : ns

V <sub>CCA</sub> = 1.8V												
PARAMETER	INPUT	OUTPUT	MAX or MIN	LVC 5V	LVC 3.3V	LVC 2.5V	LVC 1.8V	LVCH 5V	LVCH 3.3V	LVCH 2.5V	LVCH 1.8V	
$t_{PLH}$	A	B	MAX	7.1	7.4	9.2	21.9	7.1	7.4	9.2	21.9	
$t_{PHL}$				7.1	7.4	9.2	21.9	7.1	7.4	9.2	21.9	
$t_{PLH}$	B	A	MAX	23.4	23.4	23.6	23.8	23.4	23.4	23.8	23.8	
$t_{PHL}$				23.4	23.4	23.6	23.8	23.4	23.4	23.8	23.8	
$t_{PZH}$	$\overline{OE}$	A	MAX	23.7	23.7	23.8	24	23.7	23.7	23.8	24	
$t_{PZL}$				23.7	23.7	23.8	24	23.7	23.7	23.8	24	
$t_{PZH}$	$\overline{OE}$	B	MAX	10.8	12.6	16	32	10.8	12.6	18	32	
$t_{PZL}$				10.8	12.6	16	32	10.8	12.6	18	32	
$t_{PHZ}$	$\overline{OE}$	A	MAX	29.2	29.3	29.4	29.6	29.2	29.3	29.4	29.6	
$t_{PLZ}$				29.2	29.3	29.4	29.6	29.2	29.3	29.4	29.6	
$t_{PHZ}$	$\overline{OE}$	B	MAX	10.3	12	13.1	32.2	10.3	12	13.1	32.2	
$t_{PLZ}$				10.3	12	13.1	32.2	10.3	12	13.1	32.2	

V <sub>CCA</sub> = 1.8V												
PARAMETER	INPUT	OUTPUT	MAX or MIN	AVC 3.3V	AVC 2.5V	AVC 1.8V	AVC 1.5V	AVCH 3.3V	AVCH 2.5V	AVCH 1.8V	AVCH 1.5V	
$t_{PLH}$	A	B	MAX	3.3	3.7	4.8	5.9	3.3	3.7	4.8	5.9	
$t_{PHL}$				3.3	3.7	4.8	5.9	3.3	3.7	4.8	5.9	
$t_{PLH}$	B	A	MAX	4.4	4.5	4.8	5.2	4.4	4.5	4.8	5.2	
$t_{PHL}$				4.4	4.5	4.8	5.2	4.4	4.5	4.8	5.2	
$t_{PZH}$	$\overline{OE}$	A	MAX	7.8	7.8	7.8	7.8	7.8	7.8	7.8	7.8	
$t_{PZL}$				7.8	7.8	7.8	7.8	7.8	7.8	7.8		
$t_{PZH}$	$\overline{OE}$	B	MAX	4.5	5.3	7.4	9.2	4.5	5.3	7.4	9.2	
$t_{PZL}$				4.5	5.3	7.4	9.2	4.5	5.3	7.4	9.2	
$t_{PHZ}$	$\overline{OE}$	A	MAX	7.7	7.7	7.7	7.7	7.7	7.7	7.7	7.7	
$t_{PLZ}$				7.7	7.7	7.7	7.7	7.7	7.7	7.7		
$t_{PHZ}$	$\overline{OE}$	B	MAX	5.7	5.9	7.1	8.4	5.7	5.9	7.1	8.4	
$t_{PLZ}$				5.7	5.9	7.1	8.4	5.7	5.9	7.1	8.4	

UNIT : ns

V <sub>CCA</sub> = 2.5V											
PARAMETER	INPUT	OUTPUT	MAX or MIN	LVC 5V	LVC 3.3V	LVC 2.5V	LVC 1.8V	LVCH 5V	LVCH 3.3V	LVCH 2.5V	LVCH 1.8V
t <sub>PLH</sub>	A	B	MAX	4.8	6.2	9	21.4	4.8	6.2	9	21.4
t <sub>PHL</sub>				4.8	6.2	9	21.4	4.8	6.2	9	21.4
t <sub>PLH</sub>	B	A	MAX	8.8	8.9	9.1	9.3	8.8	8.9	9.1	9.3
t <sub>PHL</sub>				8.8	8.9	9.1	9.3	8.8	8.9	9.1	9.3
t <sub>PLH</sub>	OE	A	MAX	10.9	10.9	10.9	10.9	10.9	10.9	10.9	10.9
t <sub>PHL</sub>				10.9	10.9	10.9	10.9	10.9	10.9	10.9	10.9
t <sub>PLH</sub>	OE	B	MAX	6.9	9.4	12.9	28.2	6.9	9.4	12.9	28.2
t <sub>PHL</sub>				6.9	9.4	12.9	28.2	6.9	9.4	12.9	28.2
t <sub>PLH</sub>	OE	A	MAX	9	9	9	9	9	9	9	9
t <sub>PHL</sub>				9	9	9	9	9	9	9	9
t <sub>PLH</sub>	OE	B	MAX	6.9	9.3	11	29.6	6.9	9.3	11	29.6
t <sub>PHL</sub>				6.9	9.3	11	29.6	6.9	9.3	11	29.6

V <sub>CCA</sub> = 2.5V											
PARAMETER	INPUT	OUTPUT	MAX or MIN	AVC 3.3V	AVC 2.5V	AVC 1.8V	AVC 1.5V	AVCH 3.3V	AVCH 2.5V	AVCH 1.8V	AVCH 1.5V
t <sub>PLH</sub>	A	B	MAX	2.8	3.3	4.5	5.6	2.8	3.3	4.5	5.6
t <sub>PHL</sub>				2.8	3.3	4.5	5.6	2.8	3.3	4.5	5.6
t <sub>PLH</sub>	B	A	MAX	3.2	3.3	3.7	4.1	3.2	3.3	3.7	4.1
t <sub>PHL</sub>				3.2	3.3	3.7	4.1	3.2	3.3	3.7	4.1
t <sub>PLH</sub>	OE	A	MAX	5.3	5.3	5.3	5.3	5.3	5.3	5.3	5.3
t <sub>PHL</sub>				5.3	5.3	5.3	5.3	5.3	5.3	5.3	5.3
t <sub>PLH</sub>	OE	B	MAX	4.5	5.1	7.3	9.4	4.5	5.1	7.3	9.4
t <sub>PHL</sub>				4.5	5.1	7.3	9.4	4.5	5.1	7.3	9.4
t <sub>PLH</sub>	OE	A	MAX	6.1	6.1	6.1	6.1	6.1	6.1	6.1	6.1
t <sub>PHL</sub>				6.1	6.1	6.1	6.1	6.1	6.1	6.1	6.1
t <sub>PLH</sub>	OE	B	MAX	5.2	6.1	6.6	7.9	5.2	6.1	6.6	7.9
t <sub>PHL</sub>				5.2	6.1	6.6	7.9	5.2	6.1	6.6	7.9

UNIT : ns

V <sub>CCA</sub> = 3.3V											
PARAMETER	INPUT	OUTPUT	MAX or MIN	LVC 5V	LVC 3.3V	LVC 2.5V	LVC 1.8V	LVCH 5V	LVCH 3.3V	LVCH 2.5V	LVCH 1.8V
t <sub>PLH</sub>	A	B	MAX	4.4	6.1	8.8	21.2	4.4	6.2	8.8	21.2
t <sub>PHL</sub>				4.4	6.1	8.8	21.2	4.4	6.2	8.8	21.2
t <sub>PLH</sub>	B	A	MAX	6	6.1	6.2	7.2	6	6.1	6.2	7.2
t <sub>PHL</sub>				6	6.1	6.2	7.2	6	6.1	6.2	7.2
t <sub>PLH</sub>	OE	A	MAX	7.8	7.8	7.8	7.8	8.1	8.1	8.1	7.8
t <sub>PHL</sub>				7.8	7.8	7.8	7.8	8.1	8.1	8.1	7.8
t <sub>PLH</sub>	OE	B	MAX	8.4	8.5	12.4	27.7	6.4	8.5	12.4	27.7
t <sub>PHL</sub>				8.4	8.5	12.4	27.7	6.4	8.5	12.4	27.7
t <sub>PLH</sub>	OE	A	MAX	8.2	6.2	8.2	8.2	8.2	8.2	8.2	8.2
t <sub>PHL</sub>				8.2	6.2	8.2	8.2	8.2	8.2	8.2	8.2
t <sub>PLH</sub>	OE	B	MAX	6.3	8.6	10.3	29	6.3	8.8	10.3	29
t <sub>PHL</sub>				6.3	8.6	10.3	29	6.3	8.8	10.3	29

V <sub>CCA</sub> = 3.3V											
PARAMETER	INPUT	OUTPUT	MAX or MIN	AVC 3.3V	AVC 2.5V	AVC 1.8V	AVC 1.5V	AVCH 3.3V	AVCH 2.5V	AVCH 1.8V	AVCH 1.5V
t <sub>PLH</sub>	A	B	MAX	2.7	3.2	4.4	5.5	2.7	3.2	4.4	5.5
t <sub>PHL</sub>				2.7	3.2	4.4	5.5	2.7	3.2	4.4	5.5
t <sub>PLH</sub>	B	A	MAX	2.7	2.8	3.3	3.7	2.7	2.8	3.3	3.7
t <sub>PHL</sub>				2.7	2.8	3.3	3.7	2.7	2.8	3.3	3.7
t <sub>PLH</sub>	OE	A	MAX	4	4.1	4.2	4.3	4	4.1	4.2	4.3
t <sub>PHL</sub>				4	4.1	4.2	4.3	4	4.1	4.2	4.3
t <sub>PLH</sub>	OE	B	MAX	4	4.9	7.2	9.3	4	4.9	7.2	9.3
t <sub>PHL</sub>				4	4.9	7.2	9.3	4	4.9	7.2	9.3
t <sub>PLH</sub>	OE	A	MAX	5	5	5	5	5	5	5	5
t <sub>PHL</sub>				5	5	5	5	5	5	5	5
t <sub>PLH</sub>	OE	B	MAX	5	5.2	6.5	7.7	5	5.2	6.5	7.7
t <sub>PHL</sub>				5	5.2	6.5	7.7	5	5.2	6.5	7.7

UNIT : ns



V <sub>CCA</sub> = 5.0V											
PARAMETER	INPUT	OUTPUT	MAX or MIN	LVC 5V	LVC 3.3V	LVC 2.5V	LVC 1.8V	LVCH 5V	LVCH 3.3V	LVCH 2.5V	LVCH 1.8V
t <sub>PLH</sub>	A	B	MAX	4.2	6	8.8	21.4	4.2	6	8.8	21.4
t <sub>PHL</sub>				4.2	6	8.8	21.4	4.2	6	8.8	21.4
t <sub>PLH</sub>	B	A	MAX	4.3	4.5	4.8	6.8	4.3	4.5	4.8	7
t <sub>PHL</sub>				4.3	4.5	4.8	6.8	4.3	4.5	4.8	7
t <sub>PLZ</sub>	$\overline{OE}$	A	MAX	5.5	5.5	5.5	5.5	5.4	5.4	5.4	5.4
t <sub>PHZ</sub>				5.5	5.5	5.5	5.5	5.4	5.4	5.4	5.4
t <sub>PLZ</sub>	$\overline{OE}$	B	MAX	6	8.1	11.4	27.6	6	8.1	11.4	27.6
t <sub>PHZ</sub>				6	8.1	11.4	27.6	6	8.1	11.4	27.6
t <sub>PLZ</sub>	$\overline{OE}$	A	MAX	6.4	5.4	5.4	5.4	5.4	5.4	5.4	5.4
t <sub>PHZ</sub>				6.4	5.4	5.4	5.4	5.4	5.4	5.4	5.4
t <sub>PLZ</sub>	$\overline{OE}$	B	MAX	5.7	8	9.7	28.7	5.7	8	9.7	28.7
t <sub>PHZ</sub>				5.7	8	9.7	28.7	5.7	8	9.7	28.7

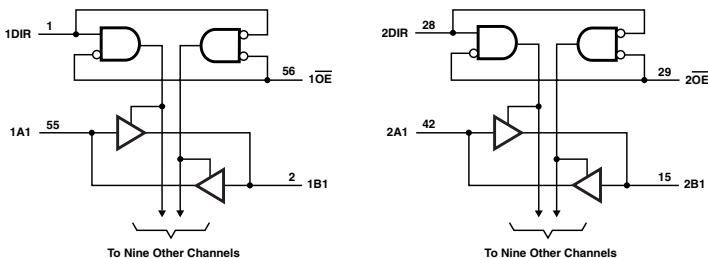
UNIT : ns

# 20T245

## 20-BIT DUAL-SUPPLY BUS TRANSCEIVER WITH CONFIGURABLE VOLTAGE TRANSLATION AND 3-STATE OUTPUTS

- Control Inputs  $V_{IH}/V_{IL}$  Levels Are Referenced to  $V_{CCA}$  Voltage
- $V_{CC}$  Isolation Feature - If Either  $V_{CC}$  Input Is at GND, Both Ports Are in the High-Impedance State
- Overvoltage-Tolerant Inputs / Outputs Allow Mixed-Voltage-Mode Data Communications
- This 20-Bit Noninverting Bus Transceiver Uses Two Separate Configurable Power-Supply Rails
- Designed for asynchronous Communication Between Data Buses

### Logic Diagram



**FUNCTION TABLE**  
(each 10-bit section)

INPUTS		OPERATION
OE	DIR	
L	L	B data to A bus
L	H	A data to B bus
H	X	Isolation

### RECOMMENDED OPERATING CONDITIONS AND ELECTRICAL CHARACTERISTICS

PARAMETER	MAX or MIN	AVC 3.3V	AVC 2.5V	AVC 1.8V	AVC 1.8V	AVC 3.3V	AVCH 2.5V	AVCH 1.8V	AVCH 1.8V	UNIT
$I_{CC}^*$	MAX	0.065	0.065	0.065	0.065	0.065	0.065	0.065	0.065	mA
$I_{OH}$	MAX	-12	-9	-8	-6	-12	-9	-8	-6	mA
$I_{OL}$	MAX	12	9	8	6	12	9	8	6	mA

\* $I_{CCA} + I_{CCB}$

### SWITCHING CHARACTERISTICS

PARAMETER	INPUT	OUTPUT	MAX or MIN	$V_{CCA} = 1.5V$							
				AVC 3.3V	AVC 2.5V	AVC 1.8V	AVC 1.5V	AVCH 3.3V	AVCH 2.5V	AVCH 1.8V	AVCH 1.5V
$t_{PLH}$	A	B	MAX	3.9	4.3	5.4	6.4	3.9	4.3	5.4	6.4
				3.9	4.3	5.4	6.4	3.9	4.3	5.4	6.4
$t_{PHL}$	B	A	MAX	5.7	5.8	6.1	6.4	5.7	5.8	6.1	6.4
				5.7	5.8	6.1	6.4	5.7	5.8	6.1	6.4
$t_{RZH}$	OE	A	MAX	10.2	10.2	10.3	10.3	10.2	10.2	10.3	10.3
				10.2	10.2	10.3	10.3	10.2	10.2	10.3	10.3
$t_{RZL}$	OE	B	MAX	5.3	6.1	8.4	10.3	5.3	6.1	8.4	10.3
				5.3	6.1	8.4	10.3	5.3	6.1	8.4	10.3
$t_{PHZ}$	OE	A	MAX	9	9	9	9	9	9	9	9
				9	9	9	9	9	9	9	9
$t_{PLZ}$	OE	B	MAX	5.9	6.4	7.8	9	5.9	6.4	7.8	9
				5.9	6.4	7.8	9	5.9	6.4	7.8	9

UNIT : ns

V <sub>CCA</sub> = 1.8V											
PARAMETER	INPUT	OUTPUT	MAX or MIN	AVC 3.3V	AVC 2.5V	AVC 1.8V	AVC 1.5V	AVCH 3.3V	AVCH 2.5V	AVCH 1.8V	AVCH 1.5V
t <sub>PLH</sub>	A	B	MAX	3.5	3.9	5	6.1	3.5	3.9	5	6.1
t <sub>PHL</sub>				3.5	3.9	5	6.1	3.5	3.9	5	6.1
t <sub>PLH</sub>	B	A	MAX	4.6	4.7	5	5.4	4.6	4.7	5	5.4
t <sub>PHL</sub>				4.6	4.7	5	5.4	4.6	4.7	5	5.4
t <sub>PLZ</sub>	$\overline{OE}$	A	MAX	7.9	7.9	7.9	8.1	7.9	7.9	7.9	8.1
t <sub>PHZ</sub>				7.9	7.9	7.9	8.1	7.9	7.9	7.9	8.1
t <sub>PLZ</sub>	$\overline{OE}$	B	MAX	4.8	5.7	7.9	10	4.8	5.7	7.9	10
t <sub>PHZ</sub>				4.8	5.7	7.9	10	4.8	5.7	7.9	10
t <sub>PLZ</sub>	$\overline{OE}$	A	MAX	7.4	7.4	7.4	7.4	7.4	7.4	7.4	7.4
t <sub>PHZ</sub>				7.4	7.4	7.4	7.4	7.4	7.4	7.4	7.4
t <sub>PLZ</sub>	$\overline{OE}$	B	MAX	5.1	5.8	7.4	8.7	5.1	5.8	7.4	8.7
t <sub>PHZ</sub>				5.1	5.8	7.4	8.7	5.1	5.8	7.4	8.7

UNIT : ns

V <sub>CCA</sub> = 2.5V											
PARAMETER	INPUT	OUTPUT	MAX or MIN	AVC 3.3V	AVC 2.5V	AVC 1.8V	AVC 1.5V	AVCH 3.3V	AVCH 2.5V	AVCH 1.8V	AVCH 1.5V
t <sub>PLH</sub>	A	B	MAX	3	3.5	4.7	5.8	3	3.5	4.7	5.8
t <sub>PHL</sub>				3	3.5	4.7	5.8	3	3.5	4.7	5.8
t <sub>PLH</sub>	B	A	MAX	3.4	3.5	3.9	4.3	3.4	3.5	3.9	4.3
t <sub>PHL</sub>				3.4	3.5	3.9	4.3	3.4	3.5	3.9	4.3
t <sub>PLZ</sub>	$\overline{OE}$	A	MAX	5.2	5.2	5.3	5.4	5.2	5.2	5.3	5.4
t <sub>PHZ</sub>				5.2	5.2	5.3	5.4	5.2	5.2	5.3	5.4
t <sub>PLZ</sub>	$\overline{OE}$	B	MAX	4.3	5.3	7.6	9.6	4.3	5.3	7.6	9.6
t <sub>PHZ</sub>				4.3	5.3	7.6	9.6	4.3	5.3	7.6	9.6
t <sub>PLZ</sub>	$\overline{OE}$	A	MAX	5.2	5.2	5.2	5.2	5.2	5.2	5.2	5.2
t <sub>PHZ</sub>				5.2	5.2	5.2	5.2	5.2	5.2	5.2	5.2
t <sub>PLZ</sub>	$\overline{OE}$	B	MAX	5	5.3	6.9	8.2	5	5.3	6.9	8.2
t <sub>PHZ</sub>				5	5.3	6.9	8.2	5	5.3	6.9	8.2

UNIT : ns

V <sub>CCA</sub> = 3.3V											
PARAMETER	INPUT	OUTPUT	MAX or MIN	AVC 3.3V	AVC 2.5V	AVC 1.8V	AVC 1.5V	AVCH 3.3V	AVCH 2.5V	AVCH 1.8V	AVCH 1.5V
t <sub>PLH</sub>	A	B	MAX	2.9	3.4	4.6	5.7	2.9	3.4	4.6	5.7
t <sub>PHL</sub>				2.9	3.4	4.6	5.7	2.9	3.4	4.6	5.7
t <sub>PLH</sub>	B	A	MAX	2.9	3	3.5	3.9	2.9	3	3.5	3.9
t <sub>PHL</sub>				2.9	3	3.5	3.9	2.9	3	3.5	3.9
t <sub>PLZ</sub>	$\overline{OE}$	A	MAX	4.1	4.2	4.3	4.4	4.1	4.2	4.3	4.4
t <sub>PHZ</sub>				4.1	4.2	4.3	4.4	4.1	4.2	4.3	4.4
t <sub>PLZ</sub>	$\overline{OE}$	B	MAX	4.1	5.1	7.5	9.6	4.1	5.1	7.5	9.6
t <sub>PHZ</sub>				4.1	5.1	7.5	9.6	4.1	5.1	7.5	9.6
t <sub>PLZ</sub>	$\overline{OE}$	A	MAX	5	5	5	5	5	5	5	5
t <sub>PHZ</sub>				5	5	5	5	5	5	5	5
t <sub>PLZ</sub>	$\overline{OE}$	B	MAX	5	5.1	6.7	8.1	5	5.1	6.7	8.1
t <sub>PHZ</sub>				5	5.1	6.7	8.1	5	5.1	6.7	8.1

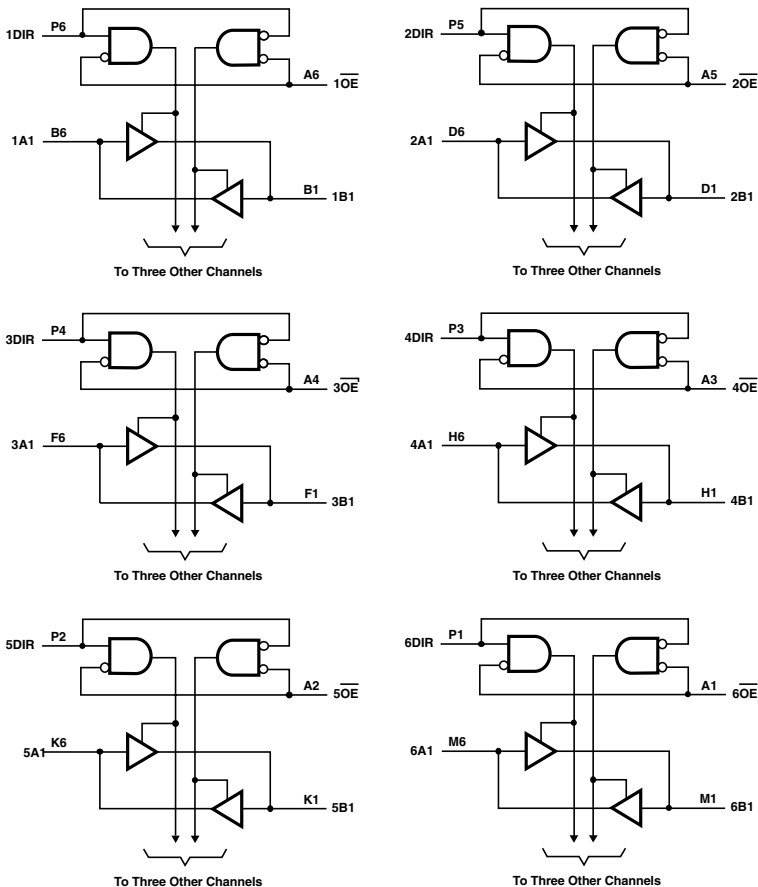
UNIT : ns

## 24T245

### 24-BIT DUAL-SUPPLY BUS TRANSCEIVER WITH CONFIGURABLE VOLTAGE TRANSLATION AND 3-STATE OUTPUTS

- Control Inputs  $V_{IH}/V_{IL}$  Levels Are Referenced to  $V_{CCA}$  Voltage
- $V_{CC}$  Isolation Feature - If Either  $V_{CC}$  Input Is at GND, All Outputs Are in the High-Impedance State
- Overvoltage-Tolerant Inputs / Outputs Allow Mixed-Voltage-Mode Data Communications
- This 24-Bit Noninverting Bus Transceiver Uses Two Separate Configurable Power-Supply Rails
- Designed for asynchronous Communication Between Data Buses

#### Logic Diagram



**FUNCTION TABLE**  
(each 4-bit section)

INPUTS		OPERATION
$\overline{OE}$	DIR	
L	L	B data to A bus
L	H	A data to B bus
H	X	Isolation

RECOMMENDED OPERATING CONDITIONS AND ELECTRICAL CHARACTERISTICS

PARAMETER	MAX or MIN	AVC 3.3V	AVC 2.5V	AVC 1.8V	AVC 1.8V	AVCH 3.3V	AVCH 2.5V	AVCH 1.8V	AVCH 1.8V	UNIT
$I_{CC}^*$	MAX	0.075	0.075	0.075	0.075	0.075	0.075	0.075	0.075	mA
$I_{OH}$	MAX	-12	-9	-8	-6	-12	-9	-8	-6	mA
$I_{OL}$	MAX	12	9	8	6	12	9	8	6	mA

\* $I_{CCA} + I_{CCB}$

SWITCHING CHARACTERISTICS

$V_{CCA} = 1.5V$											
PARAMETER	INPUT	OUTPUT	MAX or MIN	AVC 3.3V	AVC 2.5V	AVC 1.8V	AVC 1.5V	AVCH 3.3V	AVCH 2.5V	AVCH 1.8V	AVCH 1.5V
$t_{F1H}$	A	B	MAX	3.7	4.1	5.2	6.2	3.7	4.1	5.2	6.2
$t_{F1L}$				3.7	4.1	5.2	6.2	3.7	4.1	5.2	6.2
$t_{F2H}$	B	A	MAX	5.5	5.6	5.9	6.2	5.5	5.6	5.9	6.2
$t_{F2L}$				5.5	5.6	5.9	6.2	5.5	5.6	5.9	6.2
$t_{F2H}$	$\overline{OE}$	A	MAX	10.1	10.1	10.1	10.1	10.1	10.1	10.1	10.1
$t_{F2L}$				10.1	10.1	10.1	10.1	10.1	10.1	10.1	
$t_{F2H}$	$\overline{OE}$	B	MAX	5.2	5.9	8.1	10.1	5.2	5.9	8.1	10.1
$t_{F2L}$				5.2	5.9	8.1	10.1	5.2	5.9	8.1	10.1
$t_{F1Z}$	$\overline{OE}$	A	MAX	9.1	9.1	9.1	9.1	9.1	9.1	9.1	9.1
$t_{F1Z}$				9.1	9.1	9.1	9.1	9.1	9.1	9.1	
$t_{F1Z}$	$\overline{OE}$	B	MAX	6.3	6.5	7.5	8.7	6.3	6.5	7.5	8.7
$t_{F1Z}$				6.3	6.5	7.5	8.7	6.3	6.5	7.5	8.7

UNIT : ns

$V_{CCA} = 1.8V$											
PARAMETER	INPUT	OUTPUT	MAX or MIN	AVC 3.3V	AVC 2.5V	AVC 1.8V	AVC 1.5V	AVCH 3.3V	AVCH 2.5V	AVCH 1.8V	AVCH 1.5V
$t_{F1H}$	A	B	MAX	3.3	3.7	4.8	5.9	3.3	3.7	4.8	5.9
$t_{F1L}$				3.3	3.7	4.8	5.9	3.3	3.7	4.8	5.9
$t_{F2H}$	B	A	MAX	4.4	4.5	4.8	5.2	4.4	4.5	4.8	5.2
$t_{F2L}$				4.4	4.5	4.8	5.2	4.4	4.5	4.8	5.2
$t_{F2H}$	$\overline{OE}$	A	MAX	7.8	7.8	7.8	7.8	7.8	7.8	7.8	7.8
$t_{F2L}$				7.8	7.8	7.8	7.8	7.8	7.8	7.8	
$t_{F2H}$	$\overline{OE}$	B	MAX	4.5	5.3	7.4	9.2	4.5	5.3	7.4	9.2
$t_{F2L}$				4.5	5.3	7.4	9.2	4.5	5.3	7.4	9.2
$t_{F1Z}$	$\overline{OE}$	A	MAX	7.7	7.7	7.7	7.7	7.7	7.7	7.7	7.7
$t_{F1Z}$				7.7	7.7	7.7	7.7	7.7	7.7	7.7	
$t_{F1Z}$	$\overline{OE}$	B	MAX	5.7	5.9	7.1	8.4	5.7	5.9	7.1	8.4
$t_{F1Z}$				5.7	5.9	7.1	8.4	5.7	5.9	7.1	8.4

UNIT : ns

V <sub>CCA</sub> = 2.5V											
PARAMETER	INPUT	OUTPUT	MAX or MIN	AVC 3.3V	AVC 2.5V	AVC 1.8V	AVC 1.5V	AVCH 3.3V	AVCH 2.5V	AVCH 1.8V	AVCH 1.5V
t <sub>PLH</sub>	A	B	MAX	2.8	3.3	4.5	5.6	2.8	3.3	4.5	5.6
t <sub>PHL</sub>				2.8	3.3	4.5	5.6	2.8	3.3	4.5	5.6
t <sub>PLH</sub>	B	A	MAX	3.2	3.3	3.7	4.1	3.2	3.3	3.7	4.1
t <sub>PHL</sub>				3.2	3.3	3.7	4.1	3.2	3.3	3.7	4.1
t <sub>PLZ</sub>	$\overline{OE}$	A	MAX	5.3	5.3	5.3	5.3	5.3	5.3	5.3	5.3
t <sub>PHZ</sub>				5.3	5.3	5.3	5.3	5.3	5.3	5.3	5.3
t <sub>PLH</sub>	$\overline{OE}$	B	MAX	4.5	5.1	7.3	9.4	4.5	5.1	7.3	9.4
t <sub>PHL</sub>				4.5	5.1	7.3	9.4	4.5	5.1	7.3	9.4
t <sub>PLZ</sub>	$\overline{OE}$	A	MAX	6.1	6.1	6.1	6.1	6.1	6.1	6.1	6.1
t <sub>PHZ</sub>				6.1	6.1	6.1	6.1	6.1	6.1	6.1	6.1
t <sub>PLZ</sub>	$\overline{OE}$	B	MAX	5.2	6.1	6.6	7.9	5.2	6.1	6.6	7.9
t <sub>PHZ</sub>				5.2	6.1	6.6	7.9	5.2	6.1	6.6	7.9

UNIT : ns

V <sub>CCA</sub> = 3.3V											
PARAMETER	INPUT	OUTPUT	MAX or MIN	AVC 3.3V	AVC 2.5V	AVC 1.8V	AVC 1.5V	AVCH 3.3V	AVCH 2.5V	AVCH 1.8V	AVCH 1.5V
t <sub>PLH</sub>	A	B	MAX	2.7	3.2	4.4	5.5	2.7	3.2	4.4	5.5
t <sub>PHL</sub>				2.7	3.2	4.4	5.5	2.7	3.2	4.4	5.5
t <sub>PLH</sub>	B	A	MAX	2.7	2.8	3.3	3.7	2.7	2.8	3.3	3.7
t <sub>PHL</sub>				2.7	2.8	3.3	3.7	2.7	2.8	3.3	3.7
t <sub>PLZ</sub>	$\overline{OE}$	A	MAX	4	4.1	4.2	4.3	4	4.1	4.2	4.3
t <sub>PHZ</sub>				4	4.1	4.2	4.3	4	4.1	4.2	4.3
t <sub>PLH</sub>	$\overline{OE}$	B	MAX	4	4.9	7.2	9.3	4	4.9	7.2	9.3
t <sub>PHL</sub>				4	4.9	7.2	9.3	4	4.9	7.2	9.3
t <sub>PLZ</sub>	$\overline{OE}$	A	MAX	5	5	5	5	5	5	5	5
t <sub>PHZ</sub>				5	5	5	5	5	5	5	5
t <sub>PLZ</sub>	$\overline{OE}$	B	MAX	5	5.2	6.5	7.7	5	5.2	6.5	7.7
t <sub>PHZ</sub>				5	5.2	6.5	7.7	5	5.2	6.5	7.7

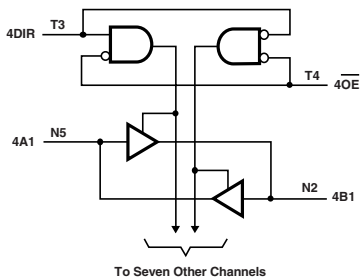
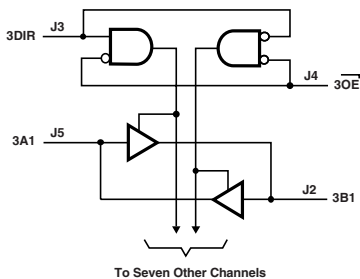
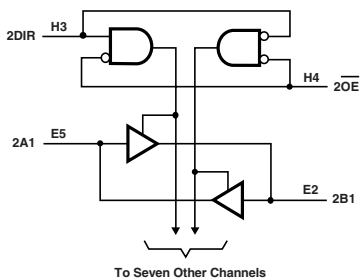
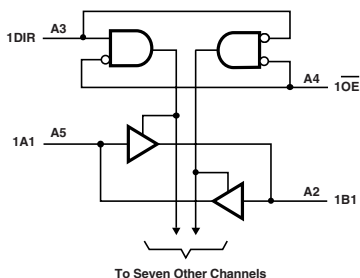
UNIT : ns

# 32T245

## 32-BIT DUAL-SUPPLY BUS TRANSCEIVER WITH CONFIGURABLE VOLTAGE TRANSLATION AND 3-STATE OUTPUTS

- Control Inputs  $V_{IH}/V_{IL}$  Levels Are Referenced to  $V_{CCA}$  Voltage
- $V_{CC}$  Isolation Feature - If Either  $V_{CC}$  Input Is at GND, Both Ports Are in the High-Impedance State
- Overvoltage-Tolerant Inputs / Outputs Allow Mixed-Voltage-Mode Data Communications
- This 24-Bit Noninverting Bus Transceiver Uses Two Separate Configurable Power-Supply Rails
- Designed for asynchronous Communication Between Data Buses

### Logic Diagram



**FUNCTION TABLE**  
(each 8-bit section)

INPUTS		OPERATION
$\overline{OE}$	DIR	
L	L	B data to A bus
L	H	A data to B bus
H	X	Isolation

**RECOMMENDED OPERATING CONDITIONS AND ELECTRICAL CHARACTERISTICS**

PARAMETER	MAX or MIN	AVC 3.3V	AVC 2.5V	AVC 1.8V	AVC 1.8V	AVCH 3.3V	AVCH 2.5V	AVCH 1.8V	AVCH 1.8V	UNIT
$I_{CC}^*$	MAX	0.09	0.09	0.09	0.09	0.09	0.09	0.09	0.09	mA
$I_{OH}$	MAX	-12	-9	-8	-6	-12	-9	-8	-6	mA
$I_{OL}$	MAX	12	9	8	6	12	9	8	6	mA

 $*I_{CC} + I_{CCA}$ 
**SWITCHING CHARACTERISTICS**

V <sub>CC</sub> = 1.5V											
PARAMETER	INPUT	OUTPUT	MAX or MIN	AVC 3.3V	AVC 2.5V	AVC 1.8V	AVC 1.5V	AVCH 3.3V	AVCH 2.5V	AVCH 1.8V	AVCH 1.5V
$t_{PLH}$	A	B	MAX	3.7	4.1	5.2	6.2	3.7	4.1	5.2	6.2
$t_{PHL}$				3.7	4.1	5.2	6.2	3.7	4.1	5.2	6.2
$t_{PLH}$	B	A	MAX	5.5	5.6	5.9	6.2	5.5	5.6	5.9	6.2
$t_{PHL}$				5.5	5.6	5.9	6.2	5.5	5.6	5.9	6.2
$t_{r2H}$	$\overline{OE}$	A	MAX	10.1	10.1	10.1	10.1	10.1	10.1	10.1	10.1
$t_{r2L}$				10.1	10.1	10.1	10.1	10.1	10.1	10.1	
$t_{r2H}$	$\overline{OE}$	B	MAX	5.2	5.9	8.1	10.1	5.2	5.9	8.1	10.1
$t_{r2L}$				5.2	5.9	8.1	10.1	5.2	5.9	8.1	10.1
$t_{f2H}$	$\overline{OE}$	A	MAX	9.1	9.1	9.1	9.1	9.1	9.1	9.1	9.1
$t_{f2L}$				9.1	9.1	9.1	9.1	9.1	9.1	9.1	
$t_{f2H}$	$\overline{OE}$	B	MAX	6.3	6.5	7.5	8.7	6.3	6.5	7.5	8.7
$t_{f2L}$				6.3	6.5	7.5	8.7	6.3	6.5	7.5	8.7

UNIT : ns

V <sub>CC</sub> = 1.8V											
PARAMETER	INPUT	OUTPUT	MAX or MIN	AVC 3.3V	AVC 2.5V	AVC 1.8V	AVC 1.5V	AVCH 3.3V	AVCH 2.5V	AVCH 1.8V	AVCH 1.5V
$t_{PLH}$	A	B	MAX	3.3	3.7	4.8	5.9	3.3	3.7	4.8	5.9
$t_{PHL}$				3.3	3.7	4.8	5.9	3.3	3.7	4.8	5.9
$t_{PLH}$	B	A	MAX	4.4	4.5	4.8	5.2	4.4	4.5	4.8	5.2
$t_{PHL}$				4.4	4.5	4.8	5.2	4.4	4.5	4.8	5.2
$t_{r2H}$	$\overline{OE}$	A	MAX	7.8	7.8	7.8	7.8	7.8	7.8	7.8	7.8
$t_{r2L}$				7.8	7.8	7.8	7.8	7.8	7.8	7.8	
$t_{r2H}$	$\overline{OE}$	B	MAX	4.5	5.3	7.4	9.2	4.5	5.3	7.4	9.2
$t_{r2L}$				4.5	5.3	7.4	9.2	4.5	5.3	7.4	9.2
$t_{f2H}$	$\overline{OE}$	A	MAX	7.7	7.7	7.7	7.7	7.7	7.7	7.7	7.7
$t_{f2L}$				7.7	7.7	7.7	7.7	7.7	7.7	7.7	
$t_{f2H}$	$\overline{OE}$	B	MAX	5.7	5.9	7.1	8.4	5.7	5.9	7.1	8.4
$t_{f2L}$				5.7	5.9	7.1	8.4	5.7	5.9	7.1	8.4

UNIT : ns

V <sub>CC</sub> = 2.5V											
PARAMETER	INPUT	OUTPUT	MAX or MIN	AVC 3.3V	AVC 2.5V	AVC 1.8V	AVC 1.5V	AVCH 3.3V	AVCH 2.5V	AVCH 1.8V	AVCH 1.5V
$t_{PLH}$	A	B	MAX	2.8	3.3	4.5	5.6	2.8	3.3	4.5	5.6
$t_{PHL}$				2.8	3.3	4.5	5.6	2.8	3.3	4.5	5.6
$t_{PLH}$	B	A	MAX	3.2	3.3	3.7	4.1	3.2	3.3	3.7	4.1
$t_{PHL}$				3.2	3.3	3.7	4.1	3.2	3.3	3.7	4.1
$t_{r2H}$	$\overline{OE}$	A	MAX	5.3	5.3	5.3	5.3	5.3	5.3	5.3	5.3
$t_{r2L}$				5.3	5.3	5.3	5.3	5.3	5.3	5.3	
$t_{r2H}$	$\overline{OE}$	B	MAX	4.5	5.1	7.3	9.4	4.5	5.1	7.3	9.4
$t_{r2L}$				4.5	5.1	7.3	9.4	4.5	5.1	7.3	9.4
$t_{f2H}$	$\overline{OE}$	A	MAX	6.1	6.1	6.1	6.1	6.1	6.1	6.1	6.1
$t_{f2L}$				6.1	6.1	6.1	6.1	6.1	6.1	6.1	
$t_{f2H}$	$\overline{OE}$	B	MAX	5.2	6.1	6.6	7.9	5.2	6.1	6.6	7.9
$t_{f2L}$				5.2	6.1	6.6	7.9	5.2	6.1	6.6	7.9

UNIT : ns



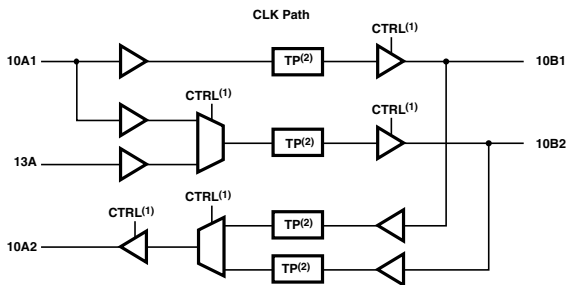
V <sub>CCA</sub> = 3.3V											
PARAMETER	INPUT	OUTPUT	MAX or MIN	AVC 3.3V	AVC 2.5V	AVC 1.8V	AVC 1.5V	AVCH 3.3V	AVCH 2.5V	AVCH 1.8V	AVCH 1.5V
t <sub>PLH</sub>	A	B	MAX	2.7	3.2	4.4	5.5	2.7	3.2	4.4	5.5
t <sub>PHL</sub>				2.7	3.2	4.4	5.5	2.7	3.2	4.4	5.5
t <sub>PLH</sub>	B	A	MAX	2.7	2.8	3.3	3.7	2.7	2.8	3.3	3.7
t <sub>PHL</sub>				2.7	2.8	3.3	3.7	2.7	2.8	3.3	3.7
t <sub>PLZ</sub>	$\overline{OE}$	A	MAX	4	4.1	4.2	4.3	4	4.1	4.2	4.3
t <sub>PHZ</sub>				4	4.1	4.2	4.3	4	4.1	4.2	4.3
t <sub>PLZ</sub>	$\overline{OE}$	B	MAX	4	4.9	7.2	9.3	4	4.9	7.2	9.3
t <sub>PHZ</sub>				4	4.9	7.2	9.3	4	4.9	7.2	9.3
t <sub>PLZ</sub>	$\overline{OE}$	A	MAX	5	5	5	5	5	5	5	5
t <sub>PHZ</sub>				5	5	5	5	5	5	5	5
t <sub>PLZ</sub>	$\overline{OE}$	B	MAX	5	5.2	6.5	7.7	5	5.2	6.5	7.7
t <sub>PHZ</sub>				5	5.2	6.5	7.7	5	5.2	6.5	7.7

UNIT : ns

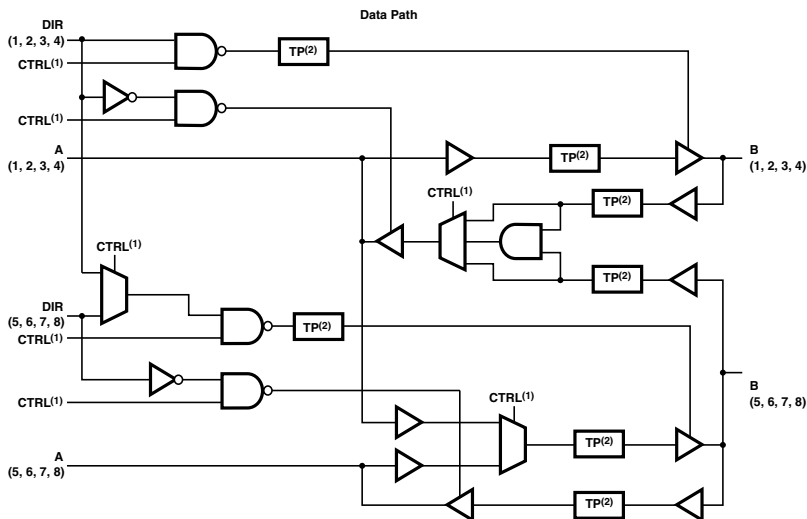
## MMC, SD CARD, Memory Stick, SmartMedia, AND xD-Picture Card $\pm 15$ -kV ESD-PROTECTED VOLTAGE-TRANSLATION TRANCEIVER

- Transceiver for Memory Card Interface  
[MultiMediaCard (MMC), Secure Digital (SD), Memory Stick™ Compliant Products, SmartMedia Card, and xD-Picture Card™]
- For Low-Power Operation, A ports Are Placed in High-Impedance State When Card-Side Supply Voltage Is Switched Off

### Logic Diagram



- (1) CTRL represents a decoded MODE0, MODE1,  $\overline{CS0}$ , and  $\overline{CS1}$  state.  
(2) Translation point



- (1) CTRL represents a decoded MODE0, MODE1,  $\overline{CS0}$ , and  $\overline{CS1}$  state.  
(2) Translation point



## ELECTRICAL CHARACTERISTICS

PARAMETER	MAX or MIN	AVCA $V_{CCA} = 3.3V$ $V_{CCB} = 0V$	AVCA $V_{CCA} = 3.3V$ $V_{CCB} = 3.3V$	AVCA $V_{CCA} = 2.5V$ $V_{CCB} = 2.5V$	AVCA $V_{CCA} = 1.8V$ $V_{CCB} = 0V$	AVCA $V_{CCA} = 1.8V$ $V_{CCB} = 1.8V$	AVCA $V_{CCA} = 1.5V$ $V_{CCB} = 1.5V$	UNIT
$I_{CCA}$	MAX	0.01	0.01	0.0055	0.005	0.005	0.0045	mA
$I_{CCB}$	MAX	0.01	0.001	0.0075	0.0005	0.007	0.0065	mA

## RECOMMENDED OPERATING CONDITIONS

PARAMETER	MAX or MIN	AVCA 3.3V	AVCA 2.5V	AVCA 1.8V	AVCA 1.5V	UNIT
$I_{OH}$	A port MAX	-8	-4	-2	-1	mA
$I_{OL}$		8	4	2	1	mA
$I_{OH}$	B port MAX	-16	-8	-4	-2	mA
$I_{OL}$		16	8	4	2	mA

\* $I_{B\_SD} = 0$ 

## SWITCHING CHARACTERISTICS

PARAMETER	INPUT (FROM)	OUTPUT (TO)	MAX or MIN	$V_{CCA} = 1.5V$		
				AVCA $V_{CCA}$ 3.3V	AVCA $V_{CCA}$ 2.5V	AVCA $V_{CCA}$ 1.8V
$t_{pd}$	A	B	MAX	4.4	4.9	7.7
$t_{pd}$	B	A	MAX	5	5	6.3
$t_{pd}$	CLK, or SCLK.h	CLK, or SCLK.0	MAX	4.9	5	7.7
$t_{pd}$	CLK, or SCLK.h	CLK, or SCLK-f.h	MAX	9.7	12	19
$t_{pd}$	CMD.h	CMD.0	MAX	3.6	4.1	7.1
$t_{pd}$	CMD.h	CMD.1	MAX	4.2	4.6	7
$t_{pd}$	CMD.0	CMD.h	MAX	4.7	4.9	6.2
$t_{pd}$	CS0	B	MAX	3.9	4.2	6
$t_{pd}$	R/B	R/B.h	MAX	4.8	4.8	5.7
$t_{pd}$	WE	WE.h	MAX	4.2	4.3	7.4
$t_{pd}$	WP	WPh	MAX	4.3	4.5	6.6
$t_{cs}$	DAT1.0 or DATA1.0	IRQ	MAX	3.3	3.3	4.8
$t_{cs}$	DAT1.0 or DATA1.1	IRQ	MAX	3.3	3.4	4.9
$t_{cs}$	DIR	B	MAX	4.6	4.5	6.7
$t_{cs}$	DIR	A	MAX	9.5	9.6	10.3
$t_{cs}$	R/B	R/B.h open drain	MAX	5.4	5.4	5.9
$t_{cs}$	DAT1.0 or DATA1.0	IRQ	MAX	5.5	4.9	6.7
$t_{cs}$	DAT1.0 or DATA1.1	IRQ	MAX	5.4	4.7	6.5
$t_{cs}$	DIR	B	MAX	6.3	6.4	6.9
$t_{cs}$	DIR	A	MAX	5.2	5.3	5.3
$t_{cs}$	R/B	R/B.h open drain	MAX	4.1	17.4	16.9

UNIT : ns

V <sub>CCA</sub> = 1.8V						
PARAMETER	INPUT (FROM)	OUTPUT (TO)	MAX or MIN	AVCA V <sub>CCA</sub> 3.3V	AVCA V <sub>CCA</sub> 2.5V	AVCA V <sub>CCA</sub> 1.8V
t <sub>sd</sub>	A	B	MAX	3.7	4.6	7.5
t <sub>sf</sub>	B	A	MAX	4	4.2	4.6
t <sub>sd</sub>	CLK, or SCLK.h	CLK, or SCLK.0	MAX	4.2	4.8	8
t <sub>sf</sub>	CLK, or SCLK.h	CLK, or SCLK-.f.h	MAX	8.3	9.4	17.9
t <sub>sd</sub>	CMD.h	CMD.0	MAX	3.3	3.7	7.4
t <sub>sf</sub>	CMD.h	CMD.1	MAX	3.5	4.4	6.2
t <sub>sd</sub>	CMD.0	CMD.h	MAX	3.8	4	4.5
t <sub>sd</sub>	CS0	B	MAX	3.8	4	6.6
t <sub>sd</sub>	R/B	R/B.h	MAX	3.8	4	4.4
t <sub>sd</sub>	WE	WE.h	MAX	3.7	3.9	7.3
t <sub>sd</sub>	WP	WP.h	MAX	3.8	4	5.6
t <sub>en</sub>	DAT1.0 or DATA1.0	IRQ	MAX	3.3	3.3	5
t <sub>en</sub>	DAT1.0 or DATA1.1	IRQ	MAX	3.1	3.1	4.6
t <sub>en</sub>	DIR	B	MAX	3.6	3.8	6.4
t <sub>en</sub>	DIR	A	MAX	6.9	6.9	7.7
t <sub>en</sub>	R/B	R/B.h open drain	MAX	4.1	4.1	4.4
t <sub>dn</sub>	DAT1.0 or DATA1.0	IRQ	MAX	5.5	4.8	6.5
t <sub>dn</sub>	DAT1.0 or DATA1.1	IRQ	MAX	5.3	4.8	6.6
t <sub>dn</sub>	DIR	B	MAX	5.7	5.4	6.3
t <sub>dn</sub>	DIR	A	MAX	5.2	5.3	5.2
t <sub>dn</sub>	R/B	R/B.h open drain	MAX	3.8	19.5	15.9

UNIT : ns

V <sub>CCA</sub> = 2.5V					
PARAMETER	INPUT (FROM)	OUTPUT (TO)	MAX or MIN	AVCA V <sub>CCA</sub> 3.3V	AVCA V <sub>CCA</sub> 2.5V
t <sub>sd</sub>	A	B	MAX	3.1	4
t <sub>sf</sub>	B	A	MAX	3.6	3.7
t <sub>sd</sub>	CLK, or SCLK.h	CLK, or SCLK.0	MAX	3.5	3.9
t <sub>sf</sub>	CLK, or SCLK.h	CLK, or SCLK-.f.h	MAX	7	8.3
t <sub>sd</sub>	CMD.h	CMD.0	MAX	2.7	3.2
t <sub>sf</sub>	CMD.h	CMD.1	MAX	2.8	3.6
t <sub>sd</sub>	CMD.0	CMD.h	MAX	3	3
t <sub>sd</sub>	CS0	B	MAX	3.3	4.2
t <sub>sd</sub>	R/B	R/B.h	MAX	2.9	3.1
t <sub>sd</sub>	WE	WE.h	MAX	3	3.6
t <sub>sd</sub>	WP	WP.h	MAX	2.9	3.5
t <sub>en</sub>	DAT1.0 or DATA1.0	IRQ	MAX	3.2	3.3
t <sub>en</sub>	DAT1.0 or DATA1.1	IRQ	MAX	3.2	3.6
t <sub>en</sub>	DIR	B	MAX	3.6	4.7
t <sub>en</sub>	DIR	A	MAX	5.1	5.3
t <sub>en</sub>	R/B	R/B.h open drain	MAX	3	3.2
t <sub>dn</sub>	DAT1.0 or DATA1.0	IRQ	MAX	5.4	7.2
t <sub>dn</sub>	DAT1.0 or DATA1.1	IRQ	MAX	5.4	7
t <sub>dn</sub>	DIR	B	MAX	5.1	4.5
t <sub>dn</sub>	DIR	A	MAX	3.7	3.7
t <sub>dn</sub>	R/B	R/B.h open drain	MAX	3.9	3.2

UNIT : ns

V <sub>CCA</sub> = 3.3V				
PARAMETER	INPUT (FROM)	OUTPUT (TO)	MAX or MIN	AVCA V <sub>CCA</sub> 3.3V
t <sub>sd</sub>	A	B	MAX	2.9
t <sub>sf</sub>	B	A	MAX	3.8
t <sub>sd</sub>	CLK, or SCLK.h	CLK, or SCLK.0	MAX	3.3
t <sub>sf</sub>	CLK, or SCLK.h	CLK, or SCLK-.f.h	MAX	6.1
t <sub>sd</sub>	CMD.h	CMD.0	MAX	2.7
t <sub>sf</sub>	CMD.h	CMD.1	MAX	2.7
t <sub>sd</sub>	CMD.0	CMD.h	MAX	2.6
t <sub>sd</sub>	CS0	B	MAX	3.7
t <sub>sd</sub>	R/B	R/B.h	MAX	2.5
t <sub>sd</sub>	WE	WE.h	MAX	3
t <sub>sd</sub>	WP	WP.h	MAX	2.8
t <sub>en</sub>	DAT1.0 or DATA1.0	IRQ	MAX	3.2
t <sub>en</sub>	DAT1.0 or DATA1.1	IRQ	MAX	3.2
t <sub>en</sub>	DIR	B	MAX	3.7
t <sub>en</sub>	DIR	A	MAX	4.7
t <sub>en</sub>	R/B	R/B.h open drain	MAX	4.9
t <sub>dn</sub>	DAT1.0 or DATA1.0	IRQ	MAX	5.3
t <sub>dn</sub>	DAT1.0 or DATA1.1	IRQ	MAX	5.2
t <sub>dn</sub>	DIR	B	MAX	5
t <sub>dn</sub>	DIR	A	MAX	4.7
t <sub>dn</sub>	R/B	R/B.h open drain	MAX	6

UNIT : ns

**MAXIMUM FREQUENCY AND OUTPUT SKEW**

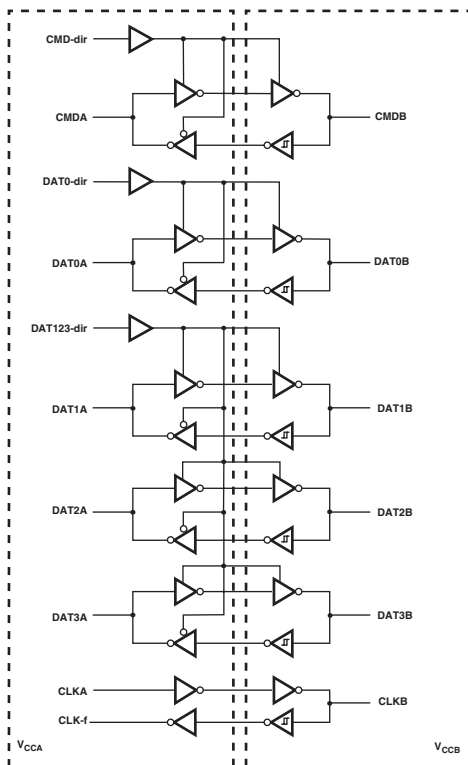
PARAMETER		V <sub>CC</sub> = 3.3V							UNIT
		INPUT (FROM)	OUTPUT (TO)	MAX or MIN	AVCA V <sub>CC</sub> 3.3V	AVCA V <sub>CC</sub> 2.5V	AVCA V <sub>CC</sub> 1.8V	AVCA V <sub>CC</sub> 1.5V	
f <sub>max</sub>	Clock	A	B	MIN	52	52	52	52	MHz
		B	A		52	52	52	52	MHz
	Data	A	B	MIN	26	26	26	26	MHz
		B	A		26	26	26	26	MHz
t <sub>setup</sub>		A	B	MAX	0.7	0.7	0.8	1.5	ns

UNIT : ns

## MMC, SD CARD, Memory Stick, SmartMedia, AND xD-Picture Card $\pm 15$ -kV ESD-PROTECTED VOLTAGE-TRANSLATION TRANCEIVER

- Transceiver for Memory Card Interface  
[MultiMediaCard (MMC), Secure Digital (SD), Memory Stick™ Compliant Products]
- For Low-Power Operation, A and B ports Are Placed in High-Impedance State When Either Supply Voltage Is Switched Off

### Logic Diagram



### FUNCTION TABLES

CONTROL INPUT CMD-dir	OUTPUT CIRCUITS		OPERATION
	CMDA	CMDB	
High	Hi-Z	Enabled	CMDA to CMDB
Low	Enabled	Hi-Z	CMDB to CMDA

CONTROL INPUT DAT0-dir	OUTPUT CIRCUITS		FUNCTION
	DAT0A	DAT0B	
High	Hi-Z	Enabled	DAT0A to DAT0B
Low	Enabled	Hi-Z	DAT0B to DAT0A

## ELECTRICAL CHARACTERISTICS

PARAMETER	MAX or MIN	AVCA $V_{CCA} = 3.3V$ $V_{CCB} = 0V$	AVCA $V_{CCA} = 0V$ $V_{CCB} = 3.3V$	AVCA $V_{CCA} = 1.2$ to $3.3V$ $V_{CCB} = 1.2$ to $3.3V$	UNIT
$I_{CCA}$	MAX	0.01	-0.001	10	mA
$I_{CCB}$	MAX	-0.001	0.01	10	mA
$I_{CCA} + I_{CCB}$	MAX	-	-	15	mA

## RECOMMENDED OPERATING CONDITIONS

PARAMETER	MAX or MIN	AVCA 3.3V	AVCA 2.5V	AVCA 1.8V	AVCA 1.5V	UNIT	
$I_{OH}$	A port	MAX	-8	-4	-2	-1	mA
$I_{OL}$			8	4	2	1	mA
$I_{OH}$	B port	MAX	-16	-8	-4	-2	mA
$I_{OL}$			16	8	4	2	mA

\* $I_{O\_SD} = 0$ 

## SWITCHING CHARACTERISTICS

$V_{CCA} = 1.5V$							
PARAMETER	INPUT (FROM)	OUTPUT (TO)	MAX or MIN	AVCA $V_{CCA} = 3.3V$	AVCA $V_{CCA} = 2.5V$	AVCA $V_{CCA} = 1.8V$	AVCA $V_{CCA} = 1.5V$
$t_{pd}$	A	B	MAX	3.8	3.9	4.8	5.6
$t_{pd}$	B	A	MAX	5.2	5.2	5.6	6
$t_{pd}$	CLKA	CLKB	MAX	3.8	3.9	4.8	5.6
$t_{pd}$		CLK-f	MAX	9	9.1	10.4	116
$t_{pd}$	CMDA	CMDB	MAX	3.8	3.9	4.8	5.6
$t_{pd}$	CMDB	CMDA	MAX	5.2	5.2	5.6	6
$t_{en}$	DIR	B	MAX	5.9	6.1	6.9	7.7
$t_{en}$		A	MAX	7.7	8.2	7.4	7
$t_{es}$	DIR	B	MAX	11.4	8.7	10.4	8.9
$t_{es}$		A	MAX	6.6	6.5	6.8	7

UNIT : ns

$V_{CCA} = 1.8V$							
PARAMETER	INPUT (FROM)	OUTPUT (TO)	MAX or MIN	AVCA $V_{CCA} = 3.3V$	AVCA $V_{CCA} = 2.5V$	AVCA $V_{CCA} = 1.8V$	AVCA $V_{CCA} = 1.5V$
$t_{pd}$	A	B	MAX	3.1	3.5	4.4	5.2
$t_{pd}$	B	A	MAX	4.3	4.3	4.8	5.2
$t_{pd}$	CLKA	CLKB	MAX	3.1	3.5	4.4	5.2
$t_{pd}$		CLK-f	MAX	7.4	7.8	9.1	10.4
$t_{pd}$	CMDA	CMDB	MAX	3.1	3.5	4.4	5.2
$t_{pd}$	CMDB	CMDA	MAX	4.3	4.3	4.8	5.2
$t_{en}$	DIR	B	MAX	4.8	5.1	6	6.8
$t_{en}$		A	MAX	5.3	5.1	5.2	4.7
$t_{es}$	DIR	B	MAX	8.2	8.2	9.5	8.4
$t_{es}$		A	MAX	7.6	7.5	7.9	7.7

UNIT : ns

$V_{CCA} = 2.5V$							
PARAMETER	INPUT (FROM)	OUTPUT (TO)	MAX or MIN	AVCA $V_{CCA} = 3.3V$	AVCA $V_{CCA} = 2.5V$	AVCA $V_{CCA} = 1.8V$	AVCA $V_{CCA} = 1.5V$
$t_{pd}$	A	B	MAX	2.5	2.9	3.8	4.7
$t_{pd}$	B	A	MAX	3.2	3.3	3.9	4.4
$t_{pd}$	CLKA	CLKB	MAX	2.5	2.9	3.8	4.7
$t_{pd}$		CLK-f	MAX	5.7	6.2	7.7	9.1
$t_{pd}$	CMDA	CMDB	MAX	2.5	2.9	3.8	4.7
$t_{pd}$	CMDB	CMDA	MAX	3.2	3.3	3.9	4.4
$t_{en}$	DIR	B	MAX	3.6	3.9	4.8	5.7
$t_{en}$		A	MAX	4.7	4.4	4.3	3.5
$t_{es}$	DIR	B	MAX	7.5	7.2	8.4	7.6
$t_{es}$		A	MAX	5.8	5.5	5.4	5.6

UNIT : ns



V <sub>CCA</sub> = 3.3V							
PARAMETER	INPUT (FROM)	OUTPUT (TO)	MAX or MIN	AVCA V <sub>CCA</sub> 3.3V	AVCA V <sub>CCA</sub> 2.5V	AVCA V <sub>CCA</sub> 1.8V	AVCA V <sub>CCA</sub> 1.5V
t <sub>sd</sub>	A	B	MAX	2.3	2.7	3.6	4.5
t <sub>sd</sub>	B	A	MAX	2.7	3	3.7	4.3
t <sub>sd</sub>	CLKA	CLKB	MAX	2.3	2.7	3.6	4.5
		CLK-f	MAX	5	5.7	7.3	8.8
t <sub>sd</sub>	CMDA	CMDB	MAX	2.3	2.7	3.6	4.5
t <sub>sd</sub>	CMDB	CMDA	MAX	2.7	3	3.7	4.3
t <sub>en</sub>	DIR	B	MAX	3	3.4	4.3	5.1
		A	MAX	5.4	5.4	5.4	3.1
t <sub>en</sub>	DIR	B	MAX	7.3	7	8.3	7.4
		A	MAX	8	7.9	7.9	8.1

UNIT : ns

#### MAXIMUM FREQUENCY

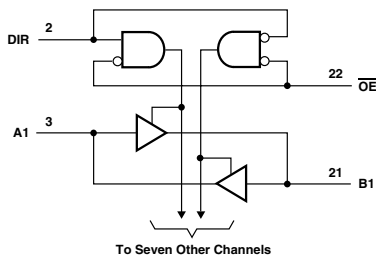
PARAMETER	INPUT (FROM)	OUTPUT (TO)	MAX or MIN	AVCA V <sub>CCA</sub> 3.3V	AVCA V <sub>CCA</sub> 2.5V	AVCA V <sub>CCA</sub> 1.8V	AVCA V <sub>CCA</sub> 1.5V	UNIT
f <sub>max</sub>	Clock	CLKA	MIN	95	95	95	95	MHz
		CLK-f		95	95	95	95	MHz
	Data	A	MIN	95	95	95	95	MHz
		B		A	95	95	95	95

#### OUTPUT SKEW

PARAMETER	V <sub>CCA</sub>	INPUT (FROM)	OUTPUT (TO)	MAX or MIN	AVCA V <sub>CCA</sub> 3.3V	AVCA V <sub>CCA</sub> 2.5V	AVCA V <sub>CCA</sub> 1.8V	AVCA V <sub>CCA</sub> 1.5V	UNIT
t <sub>skid</sub>	3.3V	DIR	B	MIN	0.4	0.3	0.4	0.3	ns
	2.5V	DIR	B	MIN	0.3	0.2	0.3	0.3	ns
	1.8V	DIR	B	MIN	0.3	0.3	0.3	0.3	ns
	1.5V	DIR	B	MIN	0.4	0.3	0.3	0.3	ns

## OCTAL BUS TRANSCEIVER WITH ADJUSTABLE OUTPUT VOLTAGE AND 3-STATE OUTPUTS

Logic Diagram



FUNCTION TABLE

INPUTS		OPERATION
OE	DIR	
L	L	B data to A bus
L	H	A data to B bus
H	X	Isolation

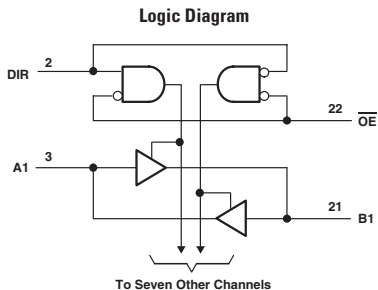
## ELECTRICAL CHARACTERISTICS AND RECOMMENDED OPERATING CONDITIONS

PARAMETER		MAX or MIN	V <sub>CCA</sub> (V)	V <sub>CCB</sub> (V)	LVCC	UNIT
I <sub>CCA</sub>	B to A	MAX	3.6	3.6	0.05	mA
				5.5	0.05	
I <sub>CCB</sub>	A to B	MAX	3.6	3.6	0.05	mA
				5.5	0.08	
I <sub>OHA</sub>	MAX	MAX	2.3	3.0	-8	mA
			2.7		-12	
			3.3		-24	
I <sub>OHB</sub>	MAX	MAX	2.3	3.3	-8	mA
			2.7		-12	
			3.3		-24	
I <sub>OLA</sub>	MAX	MAX	2.3	3.0	8	mA
			2.7		12	
			3.3		24	
I <sub>OLB</sub>	MAX	MAX	2.3	3.3	8	mA
			2.7		12	
			3.3		24	

## SWITCHING CHARACTERISTICS

PARAMETER	INPUT	OUTPUT	MAX or MIN	LVCC	LVCC	LVCC	LVCC	LVCC
				V <sub>CCA</sub> = 2.3V V <sub>CCB</sub> = 3.0V	V <sub>CCA</sub> = 2.7V V <sub>CCB</sub> = 5.5V	V <sub>CCA</sub> = 3.6V V <sub>CCB</sub> = 5.5V	V <sub>CCA</sub> = 2.7V V <sub>CCB</sub> = 3.0V	V <sub>CCA</sub> = 3.6V V <sub>CCB</sub> = 3.0V
t <sub>PLH</sub>	A	B	MAX	9.4	6.0	6.0	7.1	7.1
t <sub>PHL</sub>				9.1	5.3	5.3	7.2	7.2
t <sub>PLH</sub>	B	A	MAX	11.2	5.8	5.8	6.4	6.4
t <sub>PHL</sub>				9.9	7.0	7.0	7.6	7.6
t <sub>PZL</sub>	OE	A	MAX	14.5	9.2	9.2	9.7	9.7
t <sub>PZH</sub>				12.9	9.5	9.5	9.5	9.5
t <sub>PZL</sub>	OE	B	MAX	13	8.1	8.1	9.2	9.2
t <sub>PZH</sub>				12.8	8.4	8.4	9.9	9.9
t <sub>PLZ</sub>	OE	A	MAX	7.1	7.0	7.0	6.6	6.6
t <sub>PHZ</sub>				6.9	7.8	7.8	6.9	6.9
t <sub>PLZ</sub>	OE	B	MAX	8.8	7.3	7.3	7.5	7.5
t <sub>PHZ</sub>				8.9	7.0	7.0	7.9	7.9

UNIT: ns

**OCTAL BUS TRANSCEIVER AND 3.3-V TO 5-V SHIFTER WITH 3-STATE OUTPUTS (SN74LVC4245A)**
**OCTAL DUAL-SUPPLY BUS TRANSCEIVER WITH CONFIGURABLE OUTPUT VOLTAGE AND 3-STATE OUTPUTS (SN74LVCC4245A)**
**FUNCTION TABLE**

INPUTS		OPERATION
OE	DIR	
L	L	B data to A bus
L	H	A data to B bus
H	X	Isolation

**ELECTRICAL CHARACTERISTICS AND RECOMMENDED OPERATING CONDITIONS**

PARAMETER		MAX or MIN	LVC	LVCC	UNIT
I <sub>CCA</sub>	V <sub>CCA</sub> =5.5V V <sub>CCB</sub> =5.5V	MAX	0.08	0.08	mA
	V <sub>CCA</sub> =5.5V V <sub>CCB</sub> =3.6V	MAX	0.08	0.08	mA
I <sub>CCB</sub>	V <sub>CCA</sub> =5.5V V <sub>CCB</sub> =5.5V	MAX	0.05	0.08	mA
	V <sub>CCA</sub> =5.5V V <sub>CCB</sub> =3.6V	MAX	0.05	0.05	mA
I <sub>OH</sub>	V <sub>CCB</sub> =3.3V	MAX	-24	-24	mA
I <sub>OL</sub>			24	24	
I <sub>OH</sub>	V <sub>CCB</sub> =2.7V	MAX	-12	-24	mA
I <sub>OL</sub>			12	24	
I <sub>OH</sub>	V <sub>CCA</sub> =4.5V	MAX	-24	-24	mA
I <sub>OL</sub>			24	24	

**SWITCHING CHARACTERISTICS**

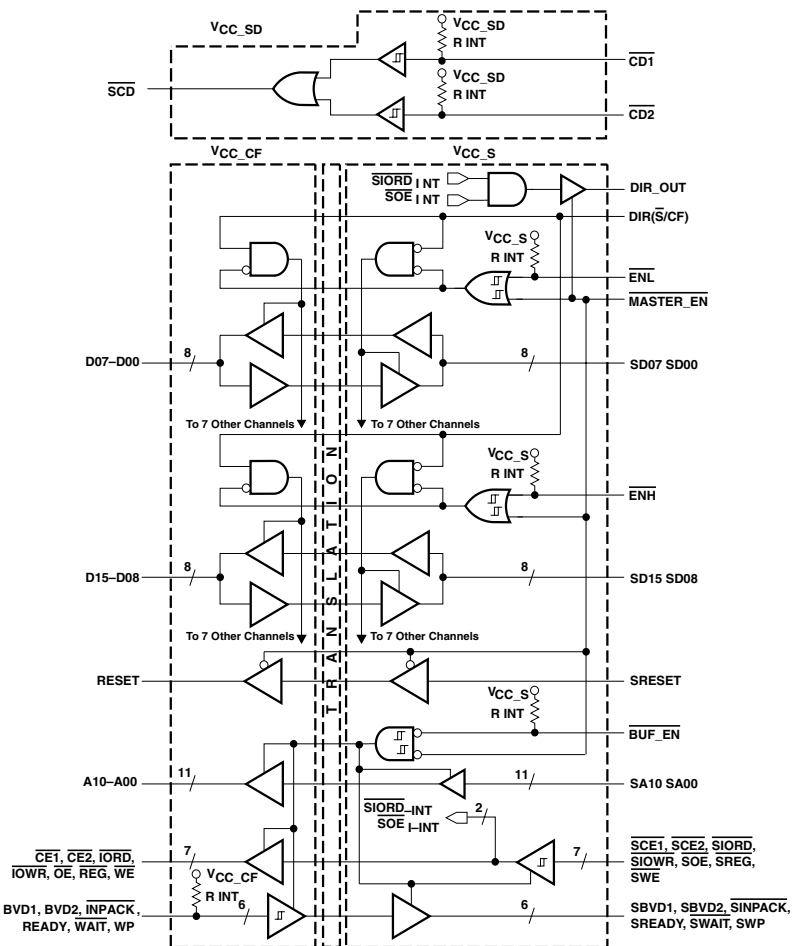
PARAMETER	INPUT	OUTPUT	MAX or MIN	LVC		LVCC		
				V <sub>CCA</sub> =5.5V V <sub>CCB</sub> =2.7V	V <sub>CCA</sub> =5.5V V <sub>CCB</sub> =3.6V	V <sub>CCA</sub> =5.5V V <sub>CCB</sub> =5.5V	V <sub>CCA</sub> =5.5V V <sub>CCB</sub> =2.7V	V <sub>CCA</sub> =5.5V V <sub>CCB</sub> =3.6V
t <sub>PLH</sub>	A	B	MAX	6.3	6.3	7.1	7.0	7.0
t <sub>PHL</sub>				6.7	6.7	6.0	7.0	7.0
t <sub>PLH</sub>	B	A	MAX	6.1	6.1	6.8	6.2	6.2
t <sub>PHL</sub>				5.0	5.0	6.1	5.3	5.3
t <sub>PZL</sub>	$\overline{OE}$	A	MAX	9.0	9.0	9.0	9.0	9.0
t <sub>PZH</sub>				8.1	8.1	8.3	8.0	8.0
t <sub>PZL</sub>	$\overline{OE}$	B	MAX	8.8	8.8	8.2	10.0	10.0
t <sub>PZH</sub>				9.8	9.8	8.1	10.2	10.2
t <sub>PLZ</sub>	$\overline{OE}$	A	MAX	7.0	7.0	4.7	5.2	5.2
t <sub>PHZ</sub>				5.8	5.8	4.9	5.2	5.2
t <sub>PLZ</sub>	$\overline{OE}$	B	MAX	7.7	7.7	5.4	5.4	5.4
t <sub>PHZ</sub>				7.8	7.8	6.3	7.4	7.4

UNIT: ns

# LOW-POWER, DUAL-SUPPLY, LEVEL-TRANSLATING CompactFlash™ INTERFACE WITH 16-BIT DATA, 11-BIT ADDRESS, AND 13-BIT CONTROL LINES

- Designed to Optimize Power Savings in Portable Applications
- Matched Pinout with CompactFlash™ (CF) Connector Pin Configurations to Optimize PCB Layout
- Input-Disable Feature Allows Floating Input Conditions

### Logic Diagram



## FUNCTION TABLES

Lower 8-Bit Data Bus Transceivers (D07-D00, SD07-SD00)

INPUTS			OPERATION
MASTER_EN	ENL	DIR ( $\bar{S}/CF$ )	
L	L	H	SD data to D bus
L	L	L	D data to SD bus
L	H	X	Isolation. D07-D00 and SD07-SD00 inputs can float.
H	X	X	Isolation, low power mode

X = H or L

Upper 8-Bit Data Bus Transceivers (D15-D08, SD15-SD08)

INPUTS			OPERATION
MASTER_EN	ENH	DIR ( $\bar{S}/CF$ )	
L	L	H	SD data to D bus
L	L	L	D data to SD bus
L	H	X	Isolation. D15-D08 and SD15-SD08 inputs can float.
H	X	X	Isolation, low power mode

X = H or L

Address Bus Buffers

INPUTS			OUTPUT A
MASTER_EN	BUF_EN	SA	
L	L	H	H
L	L	L	L
L	H	X	Z. SA inputs can float.
H	X	X	Z, low power mode

X = H or L

Command Line Buffers  
(BVD1, BVD2, INPACK, OE, IORD, IOWR,  
READY, REG, CE1, CE2, WAIT, WE, WP, )

INPUTS			OUTPUT
MASTER_EN	BUF_EN	INPUT	
L	L	H	H
L	L	L	L
L	H	X	Z. Command line buffer inputs can float.
H	X	X	Z, low power mode

X = H or L

Reset

INPUTS		OUTPUT RESET
MASTER_EN	SRESET	
L	H	H
L	L	L
H	X	Z, low power mode

X = H or L

DIR\_OUT

INPUTS				OUTPUT DIR_OUT
BUF_EN	MASTER_EN	SOE	SIORD	
L	L	L	L	L
L	L	L	H	L
L	L	H	L	L
L	L	H	H	H
H	L	X	X	L
X	H	X	X	Z, low power mode

X = H or L

## ELECTRICAL CHARACTERISTICS AND RECOMMENDED OPERATING CONDITIONS

PARAMETER		MAX or MIN	LV 5V	LV 3.3V	LV 2.5V	LV 1.8V	UNIT
I <sub>CC,SD</sub>	CD1 and CD2 = V <sub>CC,SD</sub>	MAX	0.001	-	-	-	mA
	CD1 or CD2 = GND, CD1 or CD2 = V <sub>CC,SD</sub>	MAX	0.01	-	-	-	mA
I <sub>CC,S</sub> *	Inputs SD12-SD00, SA10-SA00, SCE1, SCE2, SIORD SIOWR, SOE, SREG, SWE	MAX	-	0.003	0.003	0.003	mA
	Control inputs (ENL, ENH, BUF_EN)	V <sub>CC,S</sub>	MAX	-	0.003	0.003	0.003
GND, Other = V <sub>CC,S</sub>		MAX	-	0.036	0.036	0.036	mA
I <sub>CC,CF</sub>	Input ( D15- D00 )	MAX	-	0.003	0.003	0.003	mA
	Input ( BVD1, BVD2, INPACK, READY, WAIT, WP )	V <sub>CC,CF</sub>	MAX	-	0.003	0.003	0.003
GND, Other = V <sub>CC,CF</sub>		MAX	-	0.06	0.06	0.06	mA
I <sub>OH</sub>	Card detect	MAX	-12	-8	-4	-2	mA
I <sub>OL</sub>			12	8	4	2	mA
I <sub>OH</sub>	System port	MAX	-	12	6	2	mA
I <sub>OL</sub>			-	12	6	2	mA
I <sub>OH</sub>	CF port	MAX	16	12	-	-	mA
I <sub>OL</sub>			16	12	-	-	mA

\*I<sub>0,SD</sub> = 0

## SWITCHING CHARACTERISTICS

PARAMETER	INPUT	OUTPUT	MAX or MIN	V <sub>CC,SD</sub>	LV 5V	LV 3.3V	LV 2.5V	LV 1.8V
t <sub>PLH</sub>	CD1 or CD2	SCD	MAX	5.5	5.5	6.8	9.1	15.5
t <sub>PHL</sub>				5.5	5.5	6.8	9.1	15.5

PARAMETER	INPUT	OUTPUT	MAX or MIN	V <sub>CC,CF</sub>	LV V <sub>CC,S</sub> 3.3V	LV V <sub>CC,S</sub> 2.5V	LV V <sub>CC,S</sub> 1.8V
t <sub>PLH</sub>	CF input	S output	MAX	3.3V	8.8	10	12.9
t <sub>PHL</sub>					8.8	10	12.9
t <sub>PLH</sub>	CF input	S output	MAX	5V	7	8.6	13.9
t <sub>PHL</sub>					7	8.6	13.9
t <sub>PZH</sub>	MASTER_EN	S output	MAX	3.3V	18.3	22.6	35.5
t <sub>PZL</sub>					18.3	22.6	35.5
t <sub>PZH</sub>	MASTER_EN	S output	MAX	5V	18.2	22.6	35.6
t <sub>PZL</sub>					18.2	22.6	35.6
t <sub>PHZ</sub>	MASTER_EN	S output	MAX	3.3V	13.2	14.5	25.1
t <sub>PLZ</sub>					13.2	14.5	25.1
t <sub>PHZ</sub>	MASTER_EN	S output	MAX	5V	18.2	14.5	23.3
t <sub>PLZ</sub>					18.2	14.5	23.3
t <sub>PZH</sub>	BUF_EN	S output	MAX	3.3V	18.3	22.6	35.5
t <sub>PZL</sub>					18.3	22.6	35.5
t <sub>PZH</sub>	BUF_EN	S output	MAX	5V	18.2	22.6	35.6
t <sub>PZL</sub>					18.2	22.6	35.6
t <sub>PHZ</sub>	BUF_EN	S output	MAX	3.3V	12.3	14.5	24.2
t <sub>PLZ</sub>					12.3	14.5	24.2
t <sub>PHZ</sub>	BUF_EN	S output	MAX	5V	12.4	14.2	22.8
t <sub>PLZ</sub>					12.4	14.2	22.8
t <sub>PLH</sub>	D	SD	MAX	3.3V	8.8	10	13.7
t <sub>PHL</sub>					8.8	10	13.7
t <sub>PLH</sub>	D	SD	MAX	5V	7	12.4	13.9
t <sub>PHL</sub>					7	12.4	13.9
t <sub>PLH</sub>	SD	D	MAX	3.3V	7.6	8.2	11.1
t <sub>PHL</sub>					7.6	8.2	11.1
t <sub>PLH</sub>	SD	D	MAX	5V	6	7	9.6
t <sub>PHL</sub>					6	7	9.6

UNIT : ns

PARAMETER	INPUT	OUTPUT	MAX or MIN	V <sub>CC_CF</sub>	LV V <sub>CC_S</sub> 3.3V	LV V <sub>CC_S</sub> 2.5V	LV V <sub>CC_S</sub> 1.8V
t <sub>PZH</sub>	MASTER_EN	D	MAX	3.3V	21.4	23	27.9
t <sub>PZL</sub>					21.4	23	27.9
t <sub>PHZ</sub>	MASTER_EN	D	MAX	5V	20.3	21.8	31
t <sub>PZL</sub>					20.3	21.8	31
t <sub>PZH</sub>	MASTER_EN	SD	MAX	3.3V	18.3	22.6	36.3
t <sub>PZL</sub>					18.3	22.6	36.3
t <sub>PHZ</sub>	MASTER_EN	SD	MAX	5V	18.2	22.6	36.2
t <sub>PZL</sub>					18.2	22.6	36.2
t <sub>PHZ</sub>	MASTER_EN	D	MAX	3.3V	15	16.4	20.2
t <sub>PLZ</sub>					15	16.4	20.2
t <sub>PHZ</sub>	MASTER_EN	D	MAX	5V	12.5	13.8	17.8
t <sub>PLZ</sub>					12.5	13.8	17.8
t <sub>PHZ</sub>	MASTER_EN	SD	MAX	3.3V	12	14.5	24.2
t <sub>PLZ</sub>					12	14.5	24.2
t <sub>PHZ</sub>	MASTER_EN	SD	MAX	5V	18.2	14.2	22.8
t <sub>PLZ</sub>					18.2	14.2	22.8
t <sub>PZH</sub>	ENL or ENH	D	MAX	3.3V	21.4	22.8	27.2
t <sub>PZL</sub>					21.4	22.8	27.2
t <sub>PZH</sub>	ENL or ENH	D	MAX	5V	20.3	21.6	27.8
t <sub>PZL</sub>					20.3	21.6	27.8
t <sub>PZH</sub>	ENL or ENH	SD	MAX	3.3V	18.3	22.6	35.5
t <sub>PZL</sub>					18.3	22.6	35.5
t <sub>PZH</sub>	ENL or ENH	SD	MAX	5V	18.2	22.6	35.6
t <sub>PZL</sub>					18.2	22.6	35.6
t <sub>PHZ</sub>	ENL or ENH	D	MAX	3.3V	15	16.4	20.2
t <sub>PLZ</sub>					15	16.4	20.2
t <sub>PHZ</sub>	ENL or ENH	D	MAX	5V	12	13.1	16.6
t <sub>PLZ</sub>					12	13.1	16.6
t <sub>PHZ</sub>	ENL or ENH	SD	MAX	3.3V	12	14.5	24.2
t <sub>PLZ</sub>					12	14.5	24.2
t <sub>PHZ</sub>	ENL or ENH	SD	MAX	5V	18.2	14.2	22.8
t <sub>PLZ</sub>					18.2	14.2	22.8

UNIT : ns

# 164245

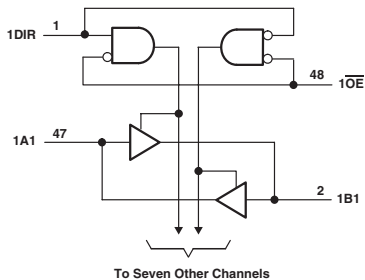
## 16-BIT TRANSCEIVER AND 3.3-V TO 5-V SHIFTER WITH 3-STATE OUTPUTS

- SN74ALVC164245:  
A port has  $V_{CCA}$ , which is set to operate at 2.5 V and 3.3 V  
B port has  $V_{CCB}$ , which is set to operate at 3.3 V and 5 V
- SN74AVCB164245, SN74AVCBH164245:  
The A-port is designed to track  $V_{CCA}$ ,  $V_{CCA}$  accepts any supply voltage from 1.4 V to 3.6 V  
The B-port is designed to track  $V_{CCB}$ ,  $V_{CCB}$  accepts any supply voltage from 1.4 V to 3.6 V

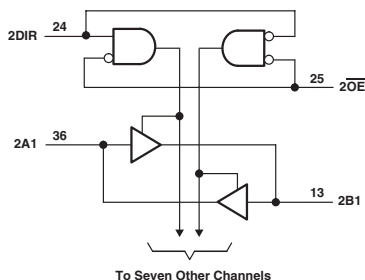
**FUNCTION TABLE**  
(each 8-bit section)

INPUTS		OPERATION
$\overline{OE}$	DIR	
L	L	B data to A bus
L	H	A data to B bus
H	X	Isolation

### Logic Diagram



To Seven Other Channels



To Seven Other Channels

### ELECTRICAL CHARACTERISTICS AND RECOMMENDED OPERATING CONDITIONS

PARAMETER	MAX or MIN	ALVC	AVCA	AVCAH	AVCB	AVCBH	UNIT	
$I_{CC}$	$V_{CCA}=3.6V$ $V_{CCB}=5.5V$	MAX	0.04	-	-	-	mA	
	$V_{CCA}=2.3V$ $V_{CCB}=3.3V$	MAX	0.02	-	-	-	mA	
	$V_{CCA}=3.6V$ $V_{CCB}=3.6V$	MAX	-	0.04	0.04	0.04	0.04	mA
	$V_{CCA}=3.6V$ $V_{CCB}=0V$	MAX	-	-0.04	-0.04	-0.04	-0.04	mA
	$V_{CCA}=0V$ $V_{CCB}=3.6V$	MAX	-	0.04	0.04	0.04	0.04	mA
	$V_{CCA}=2.7V$ $V_{CCB}=2.7V$	MAX	-	0.03	0.03	0.03	0.03	mA
	$V_{CCA}=1.6V$ $V_{CCB}=1.6V$	MAX	-	0.02	0.02	0.02	0.02	mA
$I_{OH}$	$V_{CCB}=3.3V$	MAX	-24	-12	-12	-12	-12	mA
		MIN	24	12	12	12	12	
$I_{OL}$	$V_{CCA}=3.0V$	MAX	-24	-12	-12	-12	-12	mA
		MIN	24	12	12	12	12	
$I_{OH}$	$V_{CCA}=2.3V$	MAX	-18	-8	-8	-8	-8	mA
		MIN	18	8	8	8	8	
$I_{OL}$	$V_{CCA}=1.4V$	MAX	-	-2	-2	-2	-2	mA
		MIN	-	2	2	2	2	



## SWITCHING CHARACTERISTICS

PARAMETER	INPUT	OUTPUT	MAX or MIN	ALVC		
				VCCB=3.3V	VCCB=5.5V	VCCB=5.5V
				VCCA=2.3V	VCCA=2.7V	VCCA=3.3V
EP LH	A	B	MAX	7.6	5.9	5.8
EP HL				7.6	5.9	5.8
EP LH	B	A	MAX	7.6	6.7	5.8
EP HL				7.6	6.7	5.8
EP ZL	$\overline{OE}$	B	MAX	11.5	9.3	8.9
EP ZH				11.5	9.3	8.9
EP ZL	$\overline{OE}$	A	MAX	12.3	10.2	9.1
EP ZH				12.3	10.2	9.1
EP LZ	$\overline{OE}$	B	MAX	10.5	9.2	9.5
EP HZ				10.5	9.2	9.5
EP LZ	$\overline{OE}$	A	MAX	9.3	9.0	8.6
EP HZ				9.3	9.0	8.6

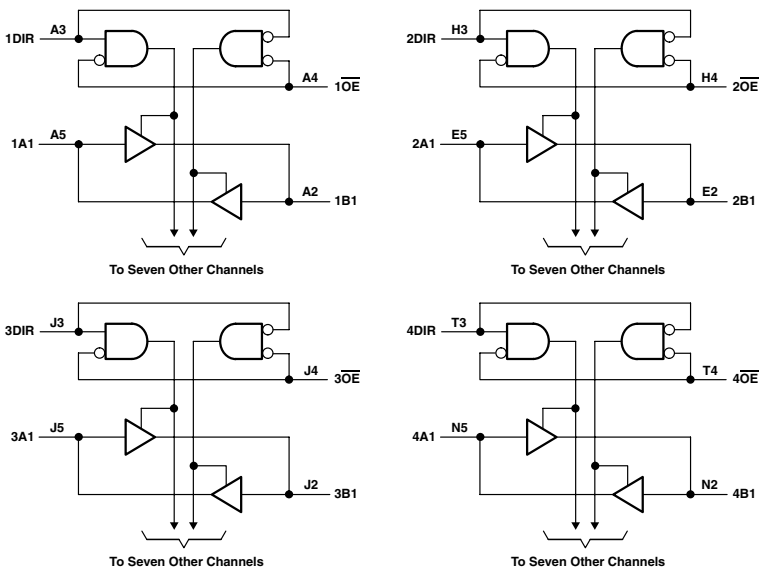
PARAMETER	INPUT	OUTPUT	MAX or MIN	AVCA/AVCAH					
				VCCA=1.4V	VCCA=1.4V	VCCA=2.3V	VCCA=2.3V	VCCA=3.6V	VCCA=3.6V
				VCCB=2.3V	VCCB=3.6V	VCCB=1.4V	VCCB=3.6V	VCCB=1.4V	VCCB=2.3V
EP LH	A	B	MAX	5.5	5.8	6.0	3.4	5.9	3.7
EP HL				5.5	5.8	6.0	3.4	5.9	3.7
EP LH	B	A	MAX	7.6	7.3	4.6	3.7	4.5	3.3
EP HL				7.6	7.3	4.6	3.7	4.5	3.3
EP ZL	$\overline{OE}$	B	MAX	10.8	10.7	4.1	5.3	2.6	4.1
EP ZH				10.8	10.7	4.1	5.3	2.6	4.1
EP ZL	$\overline{OE}$	A	MAX	6.3	5.6	7.4	4.5	7.0	5.0
EP ZH				6.3	5.6	7.4	4.5	7.0	5.0
EP LZ	$\overline{OE}$	B	MAX	6.5	6.4	4.5	3.7	5.4	3.6
EP HZ				6.5	6.4	4.5	3.7	5.4	3.6
EP LZ	$\overline{OE}$	A	MAX	5.3	6.1	5.7	4.0	5.4	3.3
EP HZ				5.3	6.1	5.7	4.0	5.4	3.3

PARAMETER	INPUT	OUTPUT	MAX or MIN	AVCB/AVCBH					
				VCCA=1.4V	VCCA=1.4V	VCCA=2.3V	VCCA=2.3V	VCCA=3.6V	VCCA=3.6V
				VCCB=2.3V	VCCB=3.6V	VCCB=1.4V	VCCB=3.6V	VCCB=1.4V	VCCB=2.3V
EP LH	A	B	MAX	5.5	5.8	6.0	3.4	5.9	3.7
EP HL				5.5	5.8	6.0	3.4	5.9	3.7
EP LH	B	A	MAX	7.6	7.3	4.6	3.7	4.5	3.3
EP HL				7.6	7.3	4.6	3.7	4.5	3.3
EP ZL	$\overline{OE}$	B	MAX	10.0	9.8	5.7	5.1	4.9	4.3
EP ZH				10.0	9.8	5.7	5.1	4.9	4.3
EP ZL	$\overline{OE}$	A	MAX	5.2	4.2	8.5	4.2	8.3	5.2
EP ZH				5.2	4.2	8.5	4.2	8.3	5.2
EP LZ	$\overline{OE}$	B	MAX	5.1	4.8	5.8	3.3	6.9	3.8
EP HZ				5.1	4.8	5.8	3.3	6.9	3.8
EP LZ	$\overline{OE}$	A	MAX	3.6	3.0	7.0	3.0	7.0	3.5
EP HZ				3.6	3.0	7.0	3.0	7.0	3.5

UNIT: ns

## 32-BIT DUAL-SUPPLY BUS TRANSCEIVER WITH CONFIGURABLE VOLTAGE TRANSLATION AND 3-STATE OUTPUTS

### Logic Diagram



**FUNCTION TABLE**  
(each 8-bit section)

INPUTS		OPERATION
OE	DIR	
L	L	B data to A bus
L	H	A data to B bus
H	X	Isolation

## ELECTRICAL CHARACTERISTICS AND RECOMMENDED OPERATING CONDITIONS

PARAMETER		MAX or MIN	AVCB	UNIT
I <sub>CC</sub>	V <sub>CCA</sub> =3.6V V <sub>CCB</sub> =3.6V	MAX	0.08	mA
	V <sub>CCA</sub> =3.6V V <sub>CCB</sub> =0V	MAX	-0.08	mA
	V <sub>CCA</sub> =0V V <sub>CCB</sub> =3.6V	MAX	0.08	mA
	V <sub>CCA</sub> =2.7V V <sub>CCB</sub> =2.7V	MAX	0.04	mA
	V <sub>CCA</sub> =1.6V V <sub>CCB</sub> =1.6V	MAX	0.04	mA
I <sub>OH</sub>	V <sub>CCB</sub> =3.3V	MAX	-12	mA
I <sub>OL</sub>			12	
I <sub>OH</sub>	V <sub>CCA</sub> =3.0V	MAX	-12	mA
I <sub>OL</sub>			12	
I <sub>OH</sub>	V <sub>CCA</sub> =2.3V	MAX	-8	mA
I <sub>OL</sub>			8	
I <sub>OH</sub>	V <sub>CCA</sub> =1.4V	MAX	-2	mA
I <sub>OL</sub>			2	

## SWITCHING CHARACTERISTICS

PARAMETER	INPUT	OUTPUT	MAX or MIN	AVCB					
				V <sub>CCA</sub> =1.4V V <sub>CCB</sub> =2.3V	V <sub>CCA</sub> =1.4V V <sub>CCB</sub> =3.6V	V <sub>CCA</sub> =2.3V V <sub>CCB</sub> =1.4V	V <sub>CCA</sub> =2.3V V <sub>CCB</sub> =3.6V	V <sub>CCA</sub> =3.6V V <sub>CCB</sub> =1.4V	V <sub>CCA</sub> =3.6V V <sub>CCB</sub> =2.3V
t <sub>PLH</sub>	A	B	MAX	5.5	5.8	6.0	3.4	5.9	3.7
t <sub>PHL</sub>				5.5	5.8	6.0	3.4	5.9	3.7
t <sub>PLH</sub>	B	A	MAX	5.9	5.9	5.4	3.7	5.8	3.3
t <sub>PHL</sub>				5.9	5.9	5.4	3.7	5.8	3.3
t <sub>PZL</sub>	0E	B	MAX	7.6	7.5	6.1	4.2	5.1	5.2
t <sub>PZH</sub>				7.6	7.5	6.1	4.2	5.1	5.2
t <sub>PZL</sub>	0E	A	MAX	10.0	9.8	5.7	5.1	4.9	4.3
t <sub>PZH</sub>				10.0	9.8	5.7	5.1	4.9	4.3
t <sub>PLZ</sub>	0E	B	MAX	5.8	5.7	6.0	3.0	5.5	3.5
t <sub>PHZ</sub>				5.8	5.7	6.0	3.0	5.5	3.5
t <sub>PLZ</sub>	0E	A	MAX	5.1	4.8	5.8	3.3	6.9	3.8
t <sub>PHZ</sub>				5.1	4.8	5.8	3.3	6.9	3.8

UNIT: ns

# **FUNCTION**

**1G / 2G / 3G**



**LITTLE LOGIC GATE (AND/NAND/OR/NOR/EX-OR)**

Description	No. of Input	Circuit	Input	Output	Device	Technology				
						Advanced CMOS		Low-Voltage CMOS		Low-Power CMOS
						AHC	AHCT	LVC	AUC	AUP
POSITIVE AND	2	1			1G08	●	●	●	●	●
		2			2G08			●	●	
		3	1		1G11			●	*	
POSITIVE NAND	2	1		OD	1G00	●	●	●	●	●
			SCH	1G38			●			
				1G132			●			
	2		OD	2G00				●		
		SCH	2G38			●				
			2G132							
3	1			1G10			●	*		
POSITIVE OR	2	1			1G32	●	●	●	●	●
	3	1			2G32			●	●	
					1G332			●		
POSITIVE NOR	2	1			1G02	●	●	●	●	●
		2			2G02			●	●	
	3	1			1G27			●	●	
EXCLUSIVE OR	2	1			1G86	●	●	●	●	
		2			2G86			●	●	
	3	1			1G386			●		
POSITIVE AND-OR	3	1			1G0832			●		
POSITIVE OR-AND	3	1			1G3208			●		

Explanatory notes [Input] SCH: Schmitt-Trigger Inputs

[Output] BUF: Buffered Output OC: Open-Collector Output 3S: 3-State Output

Status ●: Product available in technology indicated \*: New product planned in technology indicated

**LITTLE LOGIC GATE (INVERTER / NON-INVERTER)**

Description	No. of Input	Circuit	Input	Output	Device	Technology				
						Advanced CMOS		Low-Voltage CMOS		Low-Power CMOS
						AHC	AHCT	LVC	AUC	AUP
INVERTING	1	1		BUF	1G04	●	●	●	●	●
			UBF	1GU04	●		●	●		
			UBF/BUF	1GX04			●			
			OC	1G06			●	●	●	●
			SCH	1G14	●	●	●	●	●	●
				1G14			●	●	●	●
	2		BUF	2G04			●	●	●	●
		UBF	2GU04			●	●	●	●	●
		OC	2G06			●	●	●	●	●
		SCH	2G14			●	●	●	*	
			2G14			●	●	●	●	●
			2G14			●	●	●	●	●
3		BUF	3G04			●	●	●	●	
	UBF	3GU04			●	●	●	●	●	
	OC	3G06			●	●	●	●	●	
	SCH	3G14			●	●	●	●	●	
NON-INVERTING	1	1		OC	1G07			●	●	●
			SCH	1G17			●	●	●	
			BUF	1G34			●			●
			OC	2G07			●	●		
			SCH	2G17			●			
				2G17			●			
	2		BUF	2G34			●	●		
		OC	3G07			●	●	●	●	
		SCH	3G17			●				
			3G17			●				
			3G17			●				
			3G17			●				
3	1	SCH	3G17			●				
		BUF	3G34			●				

Explanatory notes [Input] SCH: Schmitt-Trigger Inputs

[Output] BUF: Buffered Output OC: Open-Collector Output 3S: 3-State Output

Status ●: Product available in technology indicated \*: New product planned in technology indicated

**LITTLE LOGIC BUFFER/DRIVER**

Description	Circuit	Output	Device	Technology				
				Advanced CMOS		Low-Voltage CMOS		Low-Power CMOS
				AHC	AHCT	LVC	AUC	AUP
NON-INVERTING	1	3S	1G125	●	●	●	●	●
		3S	1G126	●	●	●	●	●
		3S	2G125			●	●	
	2	3S	2G126			●	●	
		3S	2G241			●	●	
		3S	2G240			●	●	
INVERTING	1	3S	1G240			●	●	●
	2	3S	2G240			●	●	

Explanatory notes [Output] 3S: 3-State Output R3S: Series Resistor and 3-State output OC: Open-Collector Output

Status ●: Product available in technology indicated \*: New product planned in technology indicated

**LITTLE LOGIC LATCH**

Type	Circuit	PRE-CLR	Output	Q · $\bar{Q}$	Device	Technology				
						Advanced CMOS		Low-Voltage CMOS		Low-Power CMOS
						AHC	AHCT	LVC	AUC	AUP
D	4		3S	Q	373			●		

Explanatory notes [Type] S-R: S-R Latch AD: Addressable Latch BIS: Bistable Latch

R-B: Read-Back Latch D: D-Type Transparent Latch

**LITTLE LOGIC D-TYPE FLIP-FLOP**

Trigger	Circuit	Edge	PRE-CLR	Output	Q · $\bar{Q}$	Device	Technology				
							Advanced CMOS		Low-Voltage CMOS		Low-Power CMOS
							AHC	AHCT	LVC	AUC	AUP
POS	1	S	B	2S	B	1G74			●	●	
		S		2S	Q	1G79			●	●	
		S		2S	$\bar{Q}$	1G80			●	●	
			C	2S	Q	1G175			●		
				3S	Q	1G374			●		
		S	B	2S	B	2G74			●		
		D		2S	Q	2G79			●	●	
		D		2S	$\bar{Q}$	2G80			●	●	

Explanatory notes [Trigger] POS: POSITIVE EDGE, NEG: NEGATIVE EDGE

[PRE-CLR] B: Preset and Clear, C: Clear only

[Edge] S: Single Edge Triggered, D: Dual Edge Triggered

[Output] 2S: Totem pole Output 3S: 3-State Output

[Q ·  $\bar{Q}$ ] B: Q ·  $\bar{Q}$ -Output Q: Q-Output  $\bar{Q}$ :  $\bar{Q}$ -Output

Status ●: Product available in technology indicated \*: New product planned in technology indicated

**LITTLE LOGIC DATA SELECTOR/MULTIPLEXER**

No. of Input/Output	Output	Circuit	Device	Technology				
				Advanced CMOS		Low-Voltage CMOS		Low-Power CMOS
				AHC	AHCT	LVC	AUC	AUP
1/2	3S	1	1G18			●		
2/1	2S	1	2G157			●		

Explanatory notes [Output] 2S: Totem Pole Output 3S: 3-State Output OC: Open-Collector Output

Status ●: Product available in technology indicated \*: New product planned in technology indicated

**LITTLE LOGIC MONOSTABLE MULTIVIBRATOR**

Circuit	CLR	Retrigger	Device	Technology				
				Advanced CMOS		Low-Voltage CMOS		Low-Power CMOS
				AHC	AHCT	LVC	AUC	AUP
1	C	1	1G123			●		

Explanatory notes [CLR] C: With Clear

[Retrigger] R: With Retrigger

## LITTLE LOGIC DECODER/DEMULTIPLEXER

No. of Input/Output	Output	Circuit	Type	Technology				
				Advanced CMOS		Low-Voltage CMOS		Low-Power CMOS
				AHC	AHCT	LVC	AUC	AUP
1/1	2S	1	1G19			●	●	
2/3	2S	1	1G29			●		
2/4	2S	1	1G139			●		

Explanatory notes [Output] 2S: Totem Pole Output 3S: 3-State Output OC: Open-Collector Output

Status ●: Product available in technology indicated \*: New product planned in technology indicated

## LITTLE LOGIC ANALOG SWITCH

Description	Type	Technology				
		Advanced CMOS		Low-Voltage CMOS		Low-Power CMOS
		AHC	AHCT	LVC	AUC	AUP
DUAL ANALOG MULTIPLEXER/DEMULTIPLEXER	1G3157			●		
DUAL ANALOG MULTIPLEXER/DEMULTIPLEXER	2G53			●	●	
SINGLE BILATERAL ANALOG SWITCH	1G66			●	●	
DUAL BILATERAL ANALOG SWITCH	2G66			●	●	

Status ●: Product available in technology indicated \*: New product planned in technology indicated

## LITTLE LOGIC MULTIFUNCTION GATE

Description	Input	Type	Technology				
			Advanced CMOS		Low-Voltage CMOS		Low-Power CMOS
			AHC	AHCT	LVC	AUC	AUP
CONFIGURABLE MULTI-FUNCTION GATE AND gate/ AND with both inputs inverted NAND with inverted input OR with inverted input NOR gate / NOR with both inputs inverted XNOR	3	1G57			●		●
CONFIGURABLE MULTI-FUNCTION GATE AND with inverted input NAND gate, NAND with both inputs inverted OR gate / OR with both inputs inverted NOR with inverted input XOR gate	3	1G58			●		●
CONFIGURABLE MULTI-FUNCTION GATE 2-to-1 data selector AND gate OR gate with one inverted input NAND gate with one inverted input AND gate with one inverted input NOR gate with one inverted input OR gate Inverter Noninverted buffer	3	1G97			●		●
CONFIGURABLE MULTI-FUNCTION GATE 2-to-1 data selector with inverted output NAND gate NOR gate with one inverted input AND gate with one inverted input NAND gate with one inverted input OR gate with one inverted input NOR gate Noninverted buffer Inverter	3	1G98			●		●
ULTRA-CONFIGURABLE MULTI-FUNCTION GATE PRIMARY FUNCTION 3-state buffer 3-state inverter 3-state 2-in-1 data selector MUX 3-state 2-in-1 data selector MUX, inverted out 3-state 2-input AND 3-state 2-input AND, one input inverted 3-state 2-input AND, both inputs inverted 3-state 2-input NAND 3-state 2-input NAND, one input inverted 3-state 2-input NAND, both inputs inverted 3-state 2-input XOR 3-state 2-input XNOR COMPLEMENTARY FUNCTION 3-state 2-input NOR 3-state 2-input NOR, one input inverted 3-state 2-input NOR, both inputs inverted 3-state 2-input OR 3-state 2-input OR, one input inverted 3-state 2-input OR, both inputs inverted 3-state 2-input XOR, one input inverted	4	1G99			●		●

Status ●: Product available in technology indicated \*: New product planned in technology indicated





# **PIN ASSIGNMENTS**

**1G / 2G / 3G**

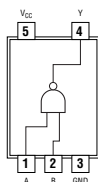


# Pin Assignments

## 1G00

### SINGLE 2-INPUT POSITIVE-NAND GATE

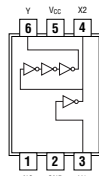
$$Y = \overline{A \cdot B}$$



See page 91

## 1GX04

### CRYSTAL OSCILLATOR DRIVER



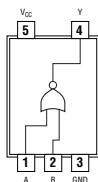
NC-No internal connection

See page 93

## 1G02

### SINGLE 2-INPUT POSITIVE-NOR GATE

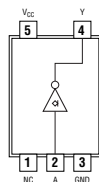
$$Y = \overline{A + B}$$



See page 91

## 1G06

### SINGLE INVERTER BUFFER/DRIVER WITH OPEN-DRAIN OUTPUT



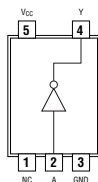
NC-No internal connection

See page 94

## 1G04

### SINGLE INVERTER GATE

$$Y = \overline{A}$$

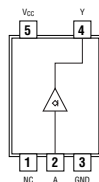


NC-No internal connection

See page 92

## 1G07

### SINGLE BUFFER/DRIVER WITH OPEN-DRAIN OUTPUT



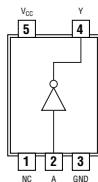
NC-No internal connection

See page 94

## 1GU04

### SINGLE INVERTER

$$Y = \overline{A}$$



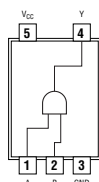
NC-No internal connection

See page 92

## 1G08

### SINGLE 2-INPUT POSITIVE-AND GATE

$$Y = A \cdot B$$



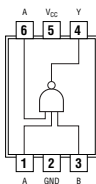
See page 95

# Pin Assignments

## 1G10

### SINGLE 3-INPUT POSITIVE-NAND GATE

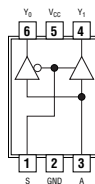
$$Y = \overline{A \cdot B \cdot C}$$



See page 95

## 1G18

### 1-OF-2 NONINVERTING DEMULTIPLEXER WITH 3-STATE DESELECTED OUTPUT

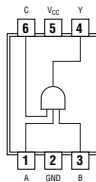


See page 97

## 1G11

### SINGLE 3-INPUT POSITIVE-AND GATE

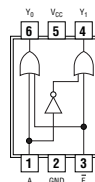
$$Y = A \cdot B \cdot C$$



See page 96

## 1G19

### 1-OF-2 DECODER/DEMULTIPLEXER

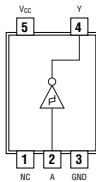


See page 98

## 1G14

### SINGLE SCHMITT-TRIGGER INVERTER GATE

$$Y = \overline{A}$$



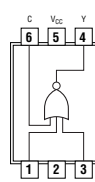
NC-No internal connection

See page 96

## 1G27

### 3-INPUT POSITIVE-NOR GATE

$$Y = \overline{A + B + C}$$

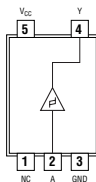


See page 98

## 1G17

### SINGLE SCHMITT-TRIGGER BUFFER

$$Y = A$$

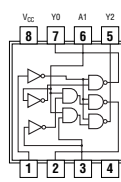


NC-No internal connection

See page 97

## 1G29

### 2-OF-3 DECODER/DEMULTIPLEXER



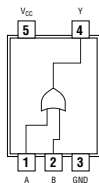
See page 99

# Pin Assignments

## 1G32

### SINGLE 2-INPUT POSITIVE-OR GATE

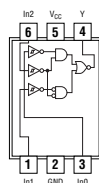
$$Y = A + B$$



See page 100

## 1G58

### CONFIGURABLE MULTIFUNCTION GATE

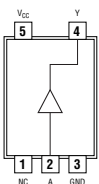


See page 102

## 1G34

### SINGLE BUFFER GATE

$$Y = A$$

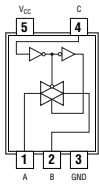


See page 100

NC-No internal connection

## 1G66

### SINGLE BILATERAL ANALOG SWITCH

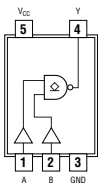


See page 102

## 1G38

### SINGLE 2-INPUT NAND GATE WITH OPEN-DRAIN OUTPUT

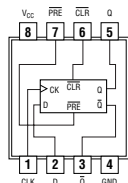
$$Y = \overline{A \cdot B} \text{ or } Y = \overline{A + B}$$



See page 101

## 1G74

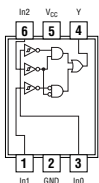
### SINGLE POSITIVE-EDGE-TRIGGERED D-TYPE FLIP-FLOP WITH CLEAR AND PRESET



See page 103

## 1G57

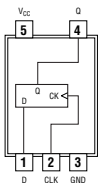
### CONFIGURABLE MULTIFUNCTION GATE



See page 101

## 1G79

### SINGLE POSITIVE-EDGE-TRIGGERED D-TYPE FLIP-FLOP

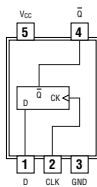


See page 104

# Pin Assignments

## 1G80

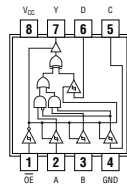
SINGLE POSITIVE-EDGE-TRIGGERED  
D-TYPE FLIP-FLOP



See page 105

## 1G99

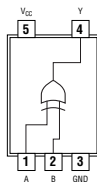
SINGLE RETRIGGERABLE MONOSTABLE MULTIVIBRATOR  
WITH SCHMITT-TRIGGER INPUTS



See page 108

## 1G86

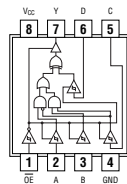
SINGLE 2-INPUT EXCLUSIVE-OR GATE  
 $Y = A \oplus B$



See page 106

## 1G123

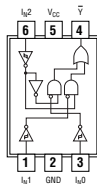
SINGLE RETRIGGERABLE MONOSTABLE MULTIVIBRATOR  
WITH SCHMITT-TRIGGER INPUTS



See page 109

## 1G97

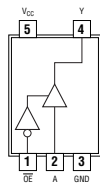
CONFIGURABLE MULTIPLE-FUNCTION GATE



See page 106

## 1G125

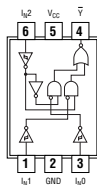
SINGLE BUS BUFFER GATE  
WITH 3-STATE OUTPUT  
 $Y = A$



See page 110

## 1G98

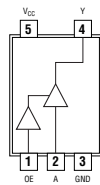
CONFIGURABLE MULTIPLE-FUNCTION GATE



See page 107

## 1G126

SINGLE BUS BUFFER GATE  
WITH 3-STATE OUTPUT  
 $Y = A$



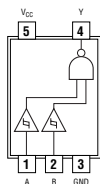
See page 110

# Pin Assignments

## 1G132

SINGLE 2-INPUT NAND GATE WITH SCHMITT-TRIGGER INPUTS

$$Y = \overline{A \cdot B} \text{ or } Y = \overline{A + B}$$

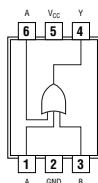


See page 111

## 1G332

SINGLE 3-INPUT POSITIVE-OR GATE

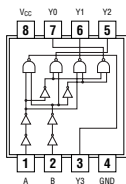
$$Y = A + B + C$$



See page 114

## 1G139

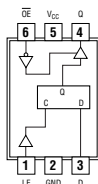
2-TO-4 LINE DECODER



See page 112

## 1G373

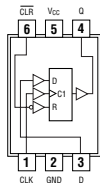
SINGLE D-TYPE LATCH WITH 3-STATE OUTPUT



See page 115

## 1G175

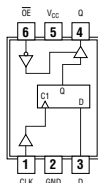
SINGLE D-TYPE FLIP-FLOP WITH ASYNCHRONOUS CLEAR



See page 113

## 1G374

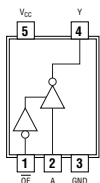
SINGLE D-TYPE FLIP-FLOP WITH 3-STATE OUTPUT



See page 116

## 1G240

SINGLE BUFFER/DRIVER WITH 3-STATE OUTPUT

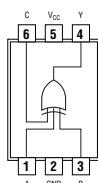


See page 114

## 1G386

SINGLE 3-INPUT EXCLUSIVE-XOR GATE

$$Y = A \oplus B \oplus C$$



See page 117

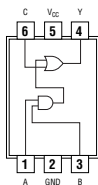


# Pin Assignments

## 1G0832

SINGLE 3-INPUT POSITIVE AND-OR GATE

$$Y = (A \cdot B) + C$$

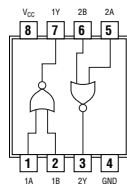


See page 117

## 2G02

DUAL 2-INPUT POSITIVE-NOR GATE

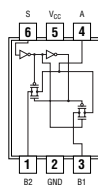
$$Y = \overline{A + B}$$



See page 120

## 1G3157

SINGLE-POLE, DOUBLE-THROW ANALOG SWITCH

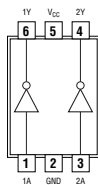


See page 118

## 2G04

DUAL INVERTER GATE

$$Y = \overline{A}$$

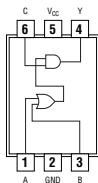


See page 121

## 1G3208

SINGLE 3-INPUT POSITIVE OR-AND GATE

$$Y = (A + B) \cdot C$$

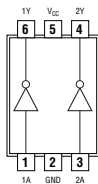


See page 119

## 2GU04

DUAL INVERTER GATE

$$Y = \overline{A}$$

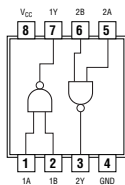


See page 121

## 2G00

DUAL 2-INPUT POSITIVE-NAND GATE

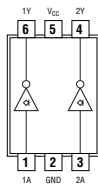
$$Y = \overline{A \cdot B}$$



See page 120

## 2G06

DUAL INVERTER BUFFER/DRIVER WITH OPEN-DRAIN OUTPUTS

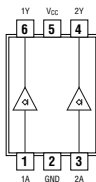


See page 122

# Pin Assignments

## 2G07

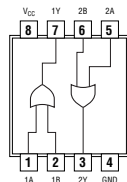
DUAL BUFFER/DRIVER  
WITH OPEN-DRAIN OUTPUTS



See page 122

## 2G32

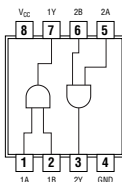
DUAL 2-INPUT POSITIVE-OR GATE  
 $Y = A + B$



See page 124

## 2G08

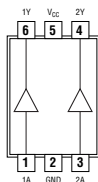
DUAL 2-INPUT POSITIVE-AND GATE  
 $Y = A \cdot B$



See page 123

## 2G34

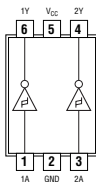
DUAL INVERTER GATE  
 $Y = \bar{A}$



See page 125

## 2G14

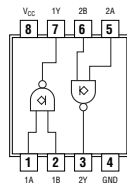
DUAL INVERTER GATE  
 $Y = \bar{A}$



See page 123

## 2G38

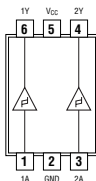
SINGLE 2-INPUT NAND GATE WITH OPEN-DRAIN OUTPUT  
 $Y = \overline{A \cdot B}$  or  $Y = \bar{A} + \bar{B}$



See page 125

## 2G17

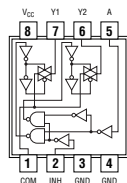
DUAL SCHMITT-TRIGGER BUFFER  
 $Y = A$



See page 124

## 2G53

SINGLE-POLE DOUBLE-THROW (SPDT) ANALOG SWITCH OR  
2:1 ANALOG MULTIPLEXER/DEMULTIPLEXER

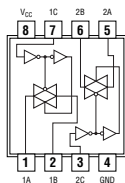


See page 126

# Pin Assignments

## 2G66

DUAL BILATERAL ANALOG SWITCH

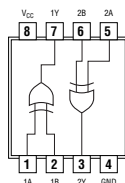


See page 126

## 2G86

DUAL 2-INPUT EXCLUSIVE-OR GATE

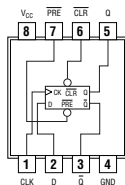
$$Y = A \oplus B$$



See page 130

## 2G74

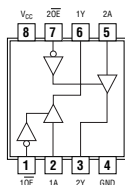
SINGLE POSITIVE-EDGE-TRIGGERED  
D-TYPE FLIP-FLOP WITH CLEAR AND PRESET



See page 127

## 2G125

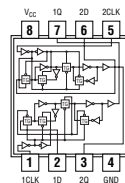
DUAL BUS BUFFER GATE WITH 3-STATE OUTPUTS



See page 130

## 2G79

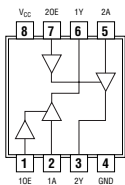
DUAL POSITIVE-EDGE-TRIGGERED D-TYPE FLIP-FLOP



See page 128

## 2G126

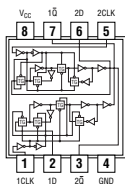
DUAL BUS BUFFER GATE WITH 3-STATE OUTPUTS



See page 131

## 2G80

DUAL POSITIVE-EDGE-TRIGGERED D-TYPE FLIP-FLOP

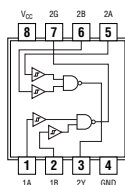


See page 129

## 2G132

SINGLE 2-INPUT NAND GATE WITH OPEN-DRAIN OUTPUT

$$Y = A \cdot B \text{ or } Y = \overline{A + B}$$

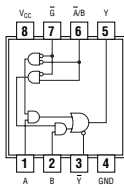


See page 131

# Pin Assignments

## 2G157

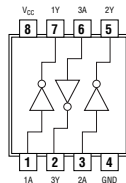
SINGLE 2-LINE TO 1-LINE DATA  
SELECTOR/MULTIPLEXER



See page 132

## 3GU04

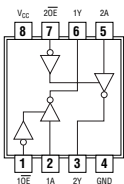
TRIPLE INVERTER GATE  
 $Y = \bar{A}$



See page 134

## 2G240

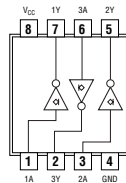
DUAL BUFFERS/DRIVERS WITH 3-STATE OUTPUTS



See page 133

## 3G06

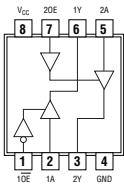
TRIPLE INVERTER BUFFER/DRIVER  
WITH OPEN-DRAIN OUTPUTS



See page 135

## 2G241

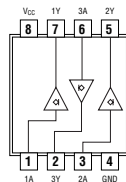
DUAL BUFFER/DRIVER WITH 3-STATE OUTPUTS



See page 133

## 3G07

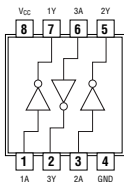
TRIPLE BUFFER/DRIVER  
WITH OPEN-DRAIN OUTPUTS



See page 135

## 3G04

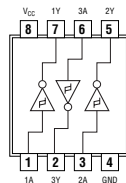
TRIPLE INVERTER GATE  
 $Y = \bar{A}$



See page 134

## 3G14

TRIPLE SCHMITT-TRIGGER INVERTER  
 $Y = \bar{A}$



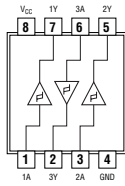
See page 136

# Pin Assignments

## 3G17

### TRIPLE SCHMITT-TRIGGER BUFFER

$$Y = A$$

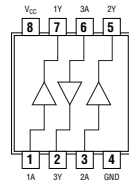


See page 136

## 3G34

### TRIPLE BUFFER GATE

$$Y = A$$



See page 137

**FUNCTION  
AND  
ELECTRICAL  
CHARACTERISTICS**

**1G / 2G / 3G**



# 1G00

## SINGLE 2-INPUT POSITIVE-NAND GATE

$$\bullet Y = \overline{A \cdot B}$$

### Logic Diagram



### FUNCTION TABLE

INPUTS		OUTPUT
A	B	Y
H	H	L
L	X	H
X	L	H

### ELECTRICAL CHARACTERISTICS AND RECOMMENDED OPERATING CONDITIONS

PARAMETER	MAX or MIN	AHC	AHCT	VLC 5V	VLC 3.3V	VLC 2.5V	VLC 1.8V	AUC 2.5V	AUC 1.8V	AUP 3.3V	AUP 2.5V	AUP 1.8V	AUP 1.1V	UNIT
I <sub>CC</sub>	MAX	0.01	0.01	0.01	0.01	0.01	0.01	0.01	0.01	0.0009	0.0009	0.0009	0.0009	mA
I <sub>OH</sub>	MAX	-8	-8	-32	-24	-8	-4	-9	-8	-4	-3.1	-1.9	-1.1	mA
I <sub>OL</sub>	MAX	8	8	32	24	8	4	9	8	4	3.1	1.9	1.1	mA

### SWITCHING CHARACTERISTICS

PARAMETER	INPUT	OUTPUT	MAX or MIN	AHC	AHCT	VLC 5V	VLC 3.3V	VLC 2.5V	VLC 1.8V	AUC 2.5V	AUC 1.8V	AUP 3.3V	AUP 2.5V	AUP 1.8V	AUP 1.1V
t <sub>PLH</sub>	A or B	Y	MAX	8.5	9	4	4.7	5.5	9	2	2.2	5.2	6.8	9.8	18.8
				8.5	9	4	4.7	5.5	9	2	2.2	5.2	6.8	9.8	18.8

UNIT:ns

# 1G02

## SINGLE 2-INPUT POSITIVE-NOR GATE

$$\bullet Y = \overline{A + B}$$

### Logic Diagram (positive logic)



### FUNCTION TABLE

INPUTS		OUTPUT
A	B	Y
H	X	L
X	H	L
L	L	H

### ELECTRICAL CHARACTERISTICS AND RECOMMENDED OPERATING CONDITIONS

PARAMETER	MAX or MIN	AHC	AHCT	VLC 5V	VLC 3.3V	VLC 2.5V	VLC 1.8V	AUC 3.3V	AUC 2.5V	AUC 1.8V	AUP 3.3V	AUP 2.5V	AUP 1.8V	AUP 1.1V	UNIT
I <sub>CC</sub>	MAX	0.01	0.01	0.01	0.01	0.01	0.01	0.01	0.0009	0.0009	0.0009	0.0009	0.0009	0.0009	mA
I <sub>OH</sub>	MAX	-8	-8	-32	-24	-8	-4	-9	-8	-4	-3.1	-1.9	-1.1	mA	
I <sub>OL</sub>	MAX	8	8	32	24	8	4	9	8	4	3.1	1.9	1.1	mA	

### SWITCHING CHARACTERISTICS

PARAMETER	INPUT	OUTPUT	MAX or MIN	AHC	AHCT	VLC 5V	VLC 3.3V	VLC 2.5V	VLC 1.8V	AUC 2.5V	AUC 1.8V	AUP 3.3V	AUP 2.5V	AUP 1.8V	AUP 1.1V
t <sub>PLH</sub>	A or B	Y	MAX	8.5	9	4	4.5	5.5	8	2.1	2.4	5	6.5	9.5	17.9
				8.5	9	4	4.5	5.5	8	2.1	2.4	5	6.5	9.5	17.9

UNIT:ns



# 1G04

## SINGLE INVERTER GATE

$$\bullet Y = \bar{A}$$

### Logic Diagram

5pin Package



4pin Package



### FUNCTION TABLE

INPUT A	OUTPUT Y
H	L
L	H

### ELECTRICAL CHARACTERISTICS AND RECOMMENDED OPERATING CONDITIONS

PARAMETER	MAX or MIN	AHC	AHCT	LVC 5V	LVC 3.3V	LVC 2.5V	LVC 1.8V	AUC 2.5V	AUC 1.8V	AUP 3.3V	AUP 2.5V	AUP 1.8V	AUP 1.1V	UNIT
$I_{CC}$	MAX	0.01	0.01	0.01	0.01	0.01	0.01	0.01	0.01	0.0009	0.0009	0.0009	0.0009	mA
$I_{OH}$	MAX	-8	-8	-32	-24	-8	-4	-9	-8	-4	-3.1	-1.9	-1.1	mA
$I_{OL}$	MAX	8	8	32	24	8	4	9	8	4	3.1	1.9	1.1	mA

### SWITCHING CHARACTERISTICS

PARAMETER	INPUT	OUTPUT	MAX or MIN	AHC	AHCT	LVC 5V	LVC 3.3V	LVC 2.5V	LVC 1.8V	AUC 2.5V	AUC 1.8V	AUP 3.3V	AUP 2.5V	AUP 1.8V	AUP 1.1V
$t_{PLH}$	A	Y	MAX	8.5	8.5	3.7	4.2	5.2	7.5	1.9	2.2	4.5	5.6	7.9	15
$t_{PHL}$				8.5	8.5	3.7	4.2	5.2	7.5	1.9	2.2	4.5	5.6	7.9	15

UNIT:ns

# 1GU04

## SINGLE INVERTER GATE

$$\bullet Y = \bar{A}$$

● Unbuffered Output

● Supply Voltage Range : 2V to 5.5V

### Logic Diagram

5pin Package



4pin Package



### FUNCTION TABLE

INPUT A	OUTPUT Y
H	L
L	H

### ELECTRICAL CHARACTERISTICS AND RECOMMENDED OPERATING CONDITIONS

PARAMETER	MAX or MIN	AHC	LVC 5V	LVC 3.3V	LVC 2.5V	LVC 1.8V	AUC 2.5V	AUC 1.8V	UNIT
$I_{CC}$	MAX	0.01	0.01	0.01	0.01	0.01	0.01	0.01	mA
$I_{OH}$	MAX	-8	-32	-24	-8	-4	-9	-8	mA
$I_{OL}$	MAX	8	32	24	8	4	9	8	mA

### SWITCHING CHARACTERISTICS

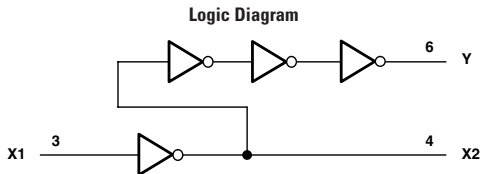
PARAMETER	INPUT	OUTPUT	MAX or MIN	AHC	LVC 5V	LVC 3.3V	LVC 2.5V	LVC 1.8V	AUC 2.5V	AUC 1.8V
$t_{PLH}$	A	Y	MAX	8	3	3.7	4	5	2.1	2.4
$t_{PHL}$				8	3	3.7	4	5	2.1	2.4

UNIT:ns

# 1GX04

## CRYSTAL OSCILLATOR DRIVER

- One Unbuffered Inverter (1GU04)
- One Buffered Inverter (1G04)
- Suitable for Commonly Used Clock Frequencies
- Optimized for Use in Crystal Oscillator Applications



### FUNCTION TABLE

OUTPUT X1	INPUTS	
	X2	Y
H	L	H
L	H	L

### ELECTRICAL CHARACTERISTICS AND RECOMMENDED OPERATING CONDITIONS

PARAMETER	MAX or MIN	LVC 5V	LVC 3.3V	LVC 2.5V	LVC 1.8V	UNIT
I <sub>CC</sub>	MAX	0.01	0.01	0.01	0.01	mA
I <sub>OH</sub>	MAX	-32	-24	-8	-4	mA
I <sub>OL</sub>	MAX	32	24	8	4	mA

### SWITCHING CHARACTERISTICS

PARAMETER	INPUT	OUTPUT	MAX or MIN	LVC 5V	LVC 3.3V	LVC 2.5V	LVC 1.8V
t <sub>PLH</sub>	X1	X2	MAX	3	3.7	4	7
t <sub>PHL</sub>				3	3.7	4	7
t <sub>PLH</sub>	X1	Y*	MAX	5	7.8	7.4	18
t <sub>PHL</sub>				5	7.8	7.4	18

UNIT : ns

\*X2 : no external load

# 1G06

## SINGLE INVERTER BUFFER/DRIVER WITH OPEN-DRAIN OUTPUT

### Logic Diagram

5pin Package



4pin Package



### FUNCTION TABLE

INPUT A	OUTPUT Y
H	L
L	H

### ELECTRICAL CHARACTERISTICS AND RECOMMENDED OPERATING CONDITIONS

PARAMETER	MAX or MIN	V <sub>CC</sub> 5V	V <sub>CC</sub> 3.3V	V <sub>CC</sub> 2.5V	V <sub>CC</sub> 1.8V	A <sub>UC</sub> 2.5V	A <sub>UC</sub> 1.8V	A <sub>UP</sub> 3.3V	A <sub>UP</sub> 2.5V	A <sub>UP</sub> 1.8V	A <sub>UP</sub> 1.1V	UNIT
I <sub>CC</sub>	MAX	0.01	0.01	0.01	0.01	0.01	0.01	0.0009	0.0009	0.0009	0.0009	mA
V <sub>O</sub>	MAX	5.5	5.5	5.5	5.5	3.6	3.6	3.6	3.6	3.6	3.6	V
I <sub>OL</sub>	MAX	32	24	8	4	9	8	4	3.1	1.9	1.1	mA

### SWITCHING CHARACTERISTICS

PARAMETER	INPUT	OUTPUT	MAX or MIN	V <sub>CC</sub> 5V	V <sub>CC</sub> 3.3V	V <sub>CC</sub> 2.5V	V <sub>CC</sub> 1.8V	A <sub>UC</sub> 2.5V	A <sub>UC</sub> 1.8V	A <sub>UP</sub> 3.3V	A <sub>UP</sub> 2.5V	A <sub>UP</sub> 1.8V	A <sub>UP</sub> 1.1V
t <sub>PLH</sub>	A	Y	MAX	3	4	4	6.5	1.8	2.5	4.9	4.5	6.7	14.1
t <sub>PHL</sub>				3	4	4	6.5	1.8	2.5	4.9	4.5	6.7	14.1

UNIT:ns

# 1G07

## SINGLE BUFFER/DRIVER WITH OPEN-DRAIN OUTPUT

### Logic Diagram

5pin Package



4pin Package



### FUNCTION TABLE

INPUT A	OUTPUT Y
H	H
L	L

### ELECTRICAL CHARACTERISTICS AND RECOMMENDED OPERATING CONDITIONS

PARAMETER	MAX or MIN	V <sub>CC</sub> 5V	V <sub>CC</sub> 3.3V	V <sub>CC</sub> 2.5V	V <sub>CC</sub> 1.8V	A <sub>UC</sub> 2.5V	A <sub>UC</sub> 1.8V	A <sub>UP</sub> 3.3V	A <sub>UP</sub> 2.5V	A <sub>UP</sub> 1.8V	A <sub>UP</sub> 1.1V	UNIT
I <sub>CC</sub>	MAX	0.01	0.01	0.01	0.01	0.01	0.01	0.0009	0.0009	0.0009	0.0009	mA
I <sub>OH</sub>	MAX	5.5	5.5	5.5	5.5	3.6	3.6	3.6	3.6	3.6	3.6	V
I <sub>OL</sub>	MAX	32	24	8	4	9	8	4	3.1	1.9	1.1	mA

### SWITCHING CHARACTERISTICS

PARAMETER	INPUT	OUTPUT	MAX or MIN	V <sub>CC</sub> 5V	V <sub>CC</sub> 3.3V	V <sub>CC</sub> 2.5V	V <sub>CC</sub> 1.8V	A <sub>UC</sub> 2.5V	A <sub>UC</sub> 1.8V	A <sub>UP</sub> 3.3V	A <sub>UP</sub> 2.5V	A <sub>UP</sub> 1.8V	A <sub>UP</sub> 1.1V
t <sub>PLH</sub>	A	Y	MAX	3.5	4.2	5.5	8.3	1.8	2.5	4.5	4.8	7.1	16.2
t <sub>PHL</sub>				3.5	4.2	5.5	8.3	1.8	2.5	4.5	4.8	7.1	16.2

UNIT:ns

# 1G08

## SINGLE 2-INPUT POSITIVE-AND GATE

$$\bullet Y = A \cdot B$$

Logic Diagram



### FUNCTION TABLE

INPUTS			OUTPUT
A	B		Y
H	H		H
L	X		L
X	L		L

### ELECTRICAL CHARACTERISTICS AND RECOMMENDED OPERATING CONDITIONS

PARAMETER	MAX or MIN	AHC	AHCT	LVC 5V	LVC 3.3V	LVC 2.5V	LVC 1.8V	AUC 2.5V	AUC 1.8V	AUP 3.3V	AUP 2.5V	AUP 1.8V	AUP 1.1V	UNIT
I <sub>CC</sub>	MAX	0.01	0.01	0.01	0.01	0.01	0.01	0.01	0.01	0.0009	0.0009	0.0009	0.0009	mA
I <sub>OH</sub>	MAX	-8	-8	-32	-24	-8	-4	-9	-8	-4	-3.1	-1.9	-1.1	mA
I <sub>OL</sub>	MAX	8	8	32	24	8	4	9	8	4	3.1	1.9	1.1	mA

### SWITCHING CHARACTERISTICS

PARAMETER	INPUT	OUTPUT	MAX or MIN	AHC	AHCT	LVC 5V	LVC 3.3V	LVC 2.5V	LVC 1.8V	AUC 2.5V	AUC 1.8V	AUP 3.3V	AUP 2.5V	AUP 1.8V	AUP 1.1V		
t <sub>PLH</sub>	A or B	Y	MAX			9	9	4	4.5	5.5	8	2	2.4	4.7	6.1	9	17.2
t <sub>PHL</sub>						9	9	4	4.5	5.5	8	2	2.4	4.7	6.1	9	17.2

UNIT:ns

# 1G10

## SINGLE 3-INPUT POSITIVE-NAND GATE

$$\bullet Y = \overline{A \cdot B \cdot C}$$

Logic Diagram



### FUNCTION TABLE

INPUTS			OUTPUT
A	B	C	Y
H	H	H	L
L	X	X	H
X	L	X	H
X	X	L	H

### ELECTRICAL CHARACTERISTICS AND RECOMMENDED OPERATING CONDITIONS

PARAMETER	MAX or MIN	LVC 5V	LVC 3.3V	LVC 2.5V	LVC 1.8V	AUC 2.5V	AUC 1.8V	UNIT
I <sub>CC</sub>	MAX	0.01	0.01	0.01	0.01	0.01	0.01	mA
I <sub>OH</sub>	MAX	-32	-24	-8	-4	-9	-8	mA
I <sub>OL</sub>	MAX	32	24	8	4	9	8	mA

### SWITCHING CHARACTERISTICS

PARAMETER	INPUT	OUTPUT	MAX or MIN	LVC 5V	LVC 3.3V	LVC 2.5V	LVC 1.8V	AUC 2.5V	AUC 1.8V
t <sub>PLH</sub>	A, B or C	Y	MAX	3.6	5.0	6.5	18.0	TBD	TBD
t <sub>PHL</sub>				3.6	5.0	6.5	18.0	TBD	TBD

UNIT:ns

# 1G11

## SINGLE 3-INPUT POSITIVE-AND GATE

$$Y = A \cdot B \cdot C$$

### Logic Diagram



### FUNCTION TABLE

INPUTS			OUTPUT
A	B	C	Y
H	H	H	H
L	X	X	L
X	L	X	L
X	X	L	L

### ELECTRICAL CHARACTERISTICS AND RECOMMENDED OPERATING CONDITIONS

PARAMETER	MAX or MIN	VLC 5V	VLC 3.3V	VLC 2.5V	VLC 1.8V	AUC 2.5V	AUC 1.8V	UNIT
$I_{CC}$	MAX	0.01	0.01	0.01	0.01	0.01	0.01	mA
$I_{OH}$	MAX	-32	-24	-8	-4	-9	-8	mA
$I_{OL}$	MAX	32	24	8	4	9	8	mA

### SWITCHING CHARACTERISTICS

PARAMETER	INPUT	OUTPUT	MAX or MIN	VLC 5V	VLC 3.3V	VLC 2.5V	VLC 1.8V	AUC 2.5V	AUC 1.8V
$t_{PLH}$	A, B or C	Y	MAX	3.5	4.9	6.2	17.2	TBD	TBD
$t_{PHL}$				3.5	4.9	6.2	17.2	TBD	TBD

UNIT:ns

# 1G14

## SINGLE SCHMITT-TRIGGER INVERTER GATE

$$Y = \bar{A}$$

### Logic Diagram

5pin Package



4pin Package



### FUNCTION TABLE

INPUT	OUTPUT
A	Y
H	L
L	H

### ELECTRICAL CHARACTERISTICS AND RECOMMENDED OPERATING CONDITIONS

PARAMETER	MAX or MIN	AHC	AHCT	VLC 5V	VLC 3.3V	VLC 2.5V	VLC 1.8V	AUC 2.5V	AUC 1.8V	AUP 3.3V	AUP 2.5V	AUP 1.8V	AUP 1.1V	UNIT
$I_{CC}$	MAX	0.01	0.01	0.01	0.01	0.01	0.01	0.01	0.01	0.0009	0.0009	0.0009	0.0009	mA
$I_{OH}$	MAX	-8	-8	-32	-24	-8	-4	-9	-8	-4	-3.1	-1.9	-1.1	mA
$I_{OL}$	MAX	8	8	32	24	8	4	9	8	4	3.1	1.9	1.1	mA

### SWITCHING CHARACTERISTICS

PARAMETER	INPUT	OUTPUT	MAX or MIN	AHC	AHCT	VLC 5V	VLC 3.3V	VLC 2.5V	VLC 1.8V	AUC 2.5V	AUC 1.8V	AUP 3.3V	AUP 2.5V	AUP 1.8V	AUP 1.1V
$t_{PLH}$	A	Y	MAX	12	9	5	5.5	6.5	11	2.5	2.5	5.6	6.8	9.5	16.7
$t_{PHL}$				12	9	5	5.5	6.5	11	2.5	2.5	5.6	6.8	9.5	16.7

UNIT:ns

# 1G17

## SINGLE SCHMITT-TRIGGER BUFFER

● Y = A

### FUNCTION TABLE

INPUT A	OUTPUT Y
H	H
L	L

### ELECTRICAL CHARACTERISTICS AND RECOMMENDED OPERATING CONDITIONS

PARAMETER	MAX or MIN	V <sub>CC</sub> 5V	V <sub>CC</sub> 3.3V	V <sub>CC</sub> 2.5V	V <sub>CC</sub> 1.8V	AUC 2.5V	AUC 1.8V	AUP 3.3V	AUP 2.5V	AUP 1.8V	AUP 1.1V	UNIT
I <sub>CC</sub>	MAX	0.01	0.01	0.01	0.01	0.01	0.01	0.0009	0.0009	0.0009	0.0009	mA
I <sub>OH</sub>	MAX	-32	-24	-8	-4	-9	-8	-4	-3.1	-1.9	-1.1	mA
I <sub>OL</sub>	MAX	32	24	8	4	9	8	4	3.1	1.9	1.1	mA

### SWITCHING CHARACTERISTICS

PARAMETER	INPUT	OUTPUT	MAX or MIN	V <sub>CC</sub> 5V	V <sub>CC</sub> 3.3V	V <sub>CC</sub> 2.5V	V <sub>CC</sub> 1.8V	AUC 2.5V	AUC 1.8V	AUP 3.3V	AUP 2.5V	AUP 1.8V	AUP 1.1V
t <sub>PLH</sub>	A	Y	MAX	5	5.5	6.5	11	2.5	2.4	5.7	6.8	9	15.6
t <sub>PHL</sub>				5	5.5	6.5	11	2.5	2.4	5.7	6.8	9	15.6

UNIT:ns

### Logic Diagram

5pin Package



4pin Package



# 1G18

## 1-OF-2 NONINVERTING DEMULTIPLEXER WITH 3-STATE DESELECTED OUTPUT

### FUNCTION TABLE

INPUTS		OUTPUTS	
S	A	Y <sub>0</sub>	Y <sub>1</sub>
L	L	L	Z
L	H	H	Z
H	L	Z	L
H	H	Z	H

### ELECTRICAL CHARACTERISTICS AND RECOMMENDED OPERATING CONDITIONS

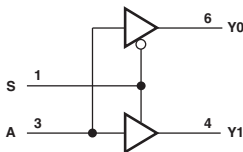
PARAMETER	MAX or MIN	V <sub>CC</sub> 5V	V <sub>CC</sub> 3.3V	V <sub>CC</sub> 2.5V	V <sub>CC</sub> 1.8V	UNIT
I <sub>CC</sub>	MAX	0.01	0.01	0.01	0.01	mA
I <sub>OH</sub>	MAX	-32	-24	-8	-4	mA
I <sub>OL</sub>	MAX	32	24	8	4	mA

### SWITCHING CHARACTERISTICS

PARAMETER	INPUT	OUTPUT	MAX or MIN	V <sub>CC</sub> 5V	V <sub>CC</sub> 3.3V	V <sub>CC</sub> 2.5V	V <sub>CC</sub> 1.8V
t <sub>PLH</sub>	A	Y	MAX	3.2	4.2	5	9.3
t <sub>PHL</sub>				3.2	4.2	5	9.3
t <sub>PZL</sub>	S	Y	MAX	3.4	4.6	5.6	10.2
t <sub>PZH</sub>				3.4	4.6	5.6	10.2
t <sub>PLZ</sub>	S	Y	MAX	3.3	4.9	5.3	12.7
t <sub>PHZ</sub>				3.3	4.9	5.3	12.7

UNIT:ns

### Logic Diagram



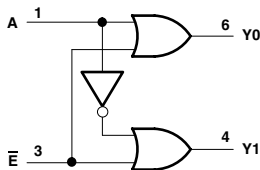
# 1G19

## 1-OF-2 DECODER/DEMULTIPLEXER

FUNCTION TABLE

INPUTS		OUTPUTS	
$\bar{E}$	A	Y <sub>0</sub>	Y <sub>1</sub>
L	L	L	H
L	H	H	L
H	X	H	H

Logic Diagram



ELECTRICAL CHARACTERISTICS AND RECOMMENDED OPERATING CONDITIONS

PARAMETER	MAX or MIN	VLC 5V	VLC 3.3V	VLC 2.5V	VLC 1.8V	UNIT	AUC 2.5V	AUC 1.8V
I <sub>CC</sub>	MAX	0.01	0.01	0.01	0.01	mA	0.01	0.01
I <sub>DH</sub>	MAX	-32	-24	-8	-4	mA	-9	-8
I <sub>OL</sub>	MAX	32	24	8	4	mA	9	8

SWITCHING CHARACTERISTICS

PARAMETER	INPUT	OUTPUT	MAX or MIN	VLC 5V	VLC 3.3V	VLC 2.5V	VLC 1.8V	AUC 2.5V	AUC 1.8V
t <sub>PLH</sub>	A or $\bar{E}$	Y	MAX	3.9	5.2	6.5	16.1	2.0	2.8
t <sub>PHL</sub>				3.9	5.2	6.5	16.1	2.0	2.8

UNIT:ns

# 1G27

## SINGLE 3-INPUT POSITIVE-NOR GATE

$$Y = \overline{A + B + C}$$

Logic Diagram



FUNCTION TABLE

INPUTS			OUTPUT
A	B	C	Y
H	X	X	L
X	H	X	L
X	X	H	L
L	L	L	H

ELECTRICAL CHARACTERISTICS AND RECOMMENDED OPERATING CONDITIONS

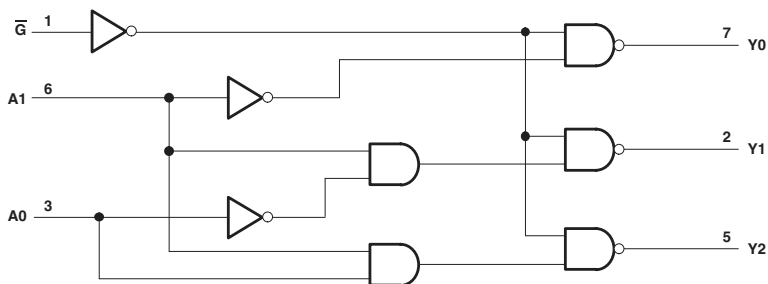
PARAMETER	MAX or MIN	VLC 5V	VLC 3.3V	VLC 2.5V	VLC 1.8V	UNIT
I <sub>CC</sub>	MAX	0.01	0.01	0.01	0.01	mA
I <sub>DH</sub>	MAX	-32	-24	-8	-4	mA
I <sub>OL</sub>	MAX	32	24	8	4	mA

SWITCHING CHARACTERISTICS

PARAMETER	INPUT	OUTPUT	MAX or MIN	VLC 5V	VLC 3.3V	VLC 2.5V	VLC 1.8V
t <sub>PLH</sub>	A, B or C	Y	MAX	3.6	5.4	7.1	20.5
t <sub>PHL</sub>				3.6	5.4	7.1	20.5

UNIT:ns

Logic Diagram



FUNCTION TABLE

INPUTS			OUTPUTS		
$\bar{G}$	A1	A0	Y0	Y1	Y2
L	L	X	L	H	H
L	H	L	H	L	H
L	H	H	H	H	L
H	X	X	H	H	H

ELECTRICAL CHARACTERISTICS AND RECOMMENDED OPERATING CONDITIONS

PARAMETER	MAX or MIN	LVC 5V	LVC 3.3V	LVC 2.5V	LVC 1.8V	UNIT
$I_{CC}$	MAX	0.01	0.01	0.01	0.01	mA
$I_{OH}$	MAX	-32	-24	-8	-4	mA
$I_{OL}$	MAX	32	24	8	4	mA

SWITCHING CHARACTERISTICS

PARAMETER	INPUT	OUTPUT	MAX or MIN	LVC 5V	LVC 3.3V	LVC 2.5V	LVC 1.8V
$t_{PLH}$	A or $\bar{G}$	Y	MAX	5.1	6.1	7.5	15.8
$t_{PHL}$				5.1	6.1	7.5	15.8

UNIT : ns



# 1G32

## SINGLE 2-INPUT POSITIVE-OR GATE

$$\bullet Y = A + B$$

### Logic Diagram



### FUNCTION TABLE

INPUTS		OUTPUT
A	B	Y
H	X	H
X	H	H
L	L	L

### ELECTRICAL CHARACTERISTICS AND RECOMMENDED OPERATING CONDITIONS

PARAMETER	MAX or MIN	AHC	AHCT	LVC 5V	LVC 3.3V	LVC 2.5V	LVC 1.8V	AUC 2.5V	AUC 1.8V	AUP 3.3V	AUP 2.5V	AUP 1.8V	AUP 1.1V	UNIT
$I_{CC}$	MAX	0.01	0.01	0.01	0.01	0.01	0.01	0.01	0.01	0.0009	0.0009	0.0009	0.0009	mA
$I_{OH}$	MAX	-8	-8	-32	-24	-8	-4	-9	-8	-4	-3.1	-1.9	-1.1	mA
$I_{OL}$	MAX	8	8	32	24	8	4	9	8	4	3.1	1.9	1.1	mA

### SWITCHING CHARACTERISTICS

PARAMETER	INPUT	OUTPUT	MAX or MIN	AHC	AHCT	LVC 5V	LVC 3.3V	LVC 2.5V	LVC 1.8V	AUC 2.5V	AUC 1.8V	AUP 3.3V	AUP 2.5V	AUP 1.8V	AUP 1.1V
$t_{PLH}$	A or B	Y	MAX	8.5	9	4	4.5	5.5	8	2.1	2.4	5	6.6	9.6	18.4
$t_{PHL}$				8.5	9	4	4.5	5.5	8	2.1	2.4	5	6.6	9.6	18.4

UNIT: ns

# 1G34

## SINGLE BUFFER GATE

$$\bullet Y = A$$

### Logic Diagram

5pin Package



4pin Package



### FUNCTION TABLE

INPUT	OUTPUT
A	Y
H	H
L	L

### ELECTRICAL CHARACTERISTICS AND RECOMMENDED OPERATING CONDITIONS

PARAMETER	MAX or MIN	LVC 5V	LVC 3.3V	LVC 2.5V	LVC 1.8V	AUP 3.3V	AUP 2.5V	AUP 1.8V	AUP 1.1V	UNIT
$I_{CC}$	MAX	0.001	0.001	0.001	0.001	0.009	0.009	0.009	0.009	mA
$I_{OH}$	MAX	-32	-24	-8	-4	-4	-3.1	-1.9	-1.1	mA
$I_{OL}$	MAX	32	24	8	4	4	3.1	1.9	1.1	mA

### SWITCHING CHARACTERISTICS

PARAMETER	INPUT	OUTPUT	MAX or MIN	LVC 5V	LVC 3.3V	LVC 2.5V	LVC 1.8V	AUP 3.3V	AUP 2.5V	AUP 1.8V	AUP 1.1V
$t_{PLH}$	A	Y	MAX	3.2	4.1	4.4	8.6	4.8	5.8	8.3	15.4
$t_{PHL}$				3.2	4.1	4.4	8.6	4.8	5.8	8.3	15.4

UNIT: ns

# 1G38

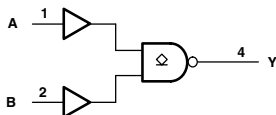
## SINGLE 2-INPUT NAND GATE WITH OPEN-DRAIN OUTPUT

●  $Y = \overline{A \cdot B}$  or  $Y = \overline{A} + \overline{B}$

### FUNCTION TABLE

INPUTS		OUTPUT
A	B	Y
L	L	H
L	H	H
H	L	H
H	H	L

### Logic Diagram



### ELECTRICAL CHARACTERISTICS AND RECOMMENDED OPERATING CONDITIONS

PARAMETER	MAX or MIN	VCC 5V	VCC 3.3V	VCC 2.5V	VCC 1.8V	UNIT
I <sub>CC</sub>	MAX	0.01	0.01	0.01	0.01	mA
V <sub>O</sub>	MAX	5.5	5.5	5.5	5.5	mA
I <sub>OL</sub>	MAX	32	24	8	4	mA

### SWITCHING CHARACTERISTICS

PARAMETER	INPUT	OUTPUT	MAX or MIN	VCC 5V	VCC 3.3V	VCC 2.5V	VCC 1.8V
t <sub>PLH</sub>	A or B	Y	MAX	3.9	4.5	6	10
t <sub>PHL</sub>				3.9	4.5	6	10

UNIT: ns

# 1G57

## CONFIGURABLE MULTIPLE-FUNCTION GATE

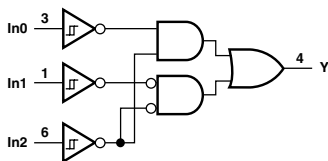
### FUNCTION SELECTION TABLE

2-input AND
2-input AND with both inputs inverted
2-input NAND with inverted input
2-input OR with inverted input
2-input NOR
2-input NOR with both inputs inverted
2-input XNOR

### FUNCTION TABLE

INPUTS			OUTPUT
In2	In1	In0	Y
L	L	L	H
L	L	H	L
L	H	L	H
L	H	H	L
H	L	L	L
H	L	H	L
H	H	L	H
H	H	H	H

### Logic Diagram



### ELECTRICAL CHARACTERISTICS AND RECOMMENDED OPERATING CONDITIONS

PARAMETER	MAX or MIN	VCC 5V	VCC 3.3V	VCC 2.5V	VCC 1.8V	AUP 3.3V	AUP 2.5V	AUP 1.8V	AUP 1.1V	UNIT
I <sub>CC</sub>	MAX	0.01	0.01	0.01	0.01	0.0009	0.0009	0.0009	0.0009	mA
I <sub>OH</sub>	MAX	-32	-24	-8	-4	-4	-3.1	-1.9	-1.1	mA
I <sub>OL</sub>	MAX	32	24	8	4	4	3.1	1.9	1.1	mA

### SWITCHING CHARACTERISTICS

PARAMETER	INPUT	OUTPUT	MAX or MIN	VCC 5V	VCC 3.3V	VCC 2.5V	VCC 1.8V	AUP 3.3V	AUP 2.5V	AUP 1.8V	AUP 1.1V
t <sub>PLH</sub>	Any In	Y	MAX	5.1	6.3	8.3	14.4	6.1	7.3	10	18.1
t <sub>PHL</sub>				5.1	6.3	8.3	14.4	6.1	7.3	10	18.1

UNIT: ns

# 1G58

## CONFIGURABLE MULTIPLE-FUNCTION GATE

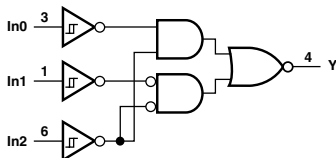
### FUNCTION SELECTION TABLE

2-input AND with inverted input
2-input NAND
2-input NAND with both inputs inverted
2-input OR
2-input OR with both inputs inverted
2-input NOR with inverted input
2-input XOR

### FUNCTION TABLE

INPUTS			OUTPUT
In2	In1	In0	Y
L	L	L	L
L	L	H	H
L	H	L	L
L	H	H	H
H	L	L	H
H	L	H	H
H	H	L	L
H	H	H	L

### Logic Diagram



### ELECTRICAL CHARACTERISTICS AND RECOMMENDED OPERATING CONDITIONS

PARAMETER	MAX or MIN	VLC 5V	VLC 3.3V	VLC 2.5V	VLC 1.8V	AUP 3.3V	AUP 2.5V	AUP 1.8V	AUP 1.1V	UNIT
I <sub>CC</sub>	MAX	0.01	0.01	0.01	0.01	0.0009	0.0009	0.0009	0.0009	mA
I <sub>OH</sub>	MAX	-32	-24	-8	-4	-4	-3.1	-1.9	-1.1	mA
I <sub>OL</sub>	MAX	32	24	8	4	4	3.1	1.9	1.1	mA

### SWITCHING CHARACTERISTICS

PARAMETER	INPUT	OUTPUT	MAX or MIN	VLC 5V	VLC 3.3V	VLC 2.5V	VLC 1.8V	AUP 3.3V	AUP 2.5V	AUP 1.8V	AUP 1.1V
t <sub>PLH</sub>	Any In	Y	MAX	5.1	6.3	8.3	14.4	6.3	7.6	10.2	19
t <sub>PHL</sub>				5.1	6.3	8.3	14.4	6.3	7.6	10.2	19

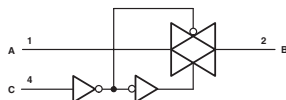
UNIT:ns

# 1G66

## SINGLE BILATERAL ANALOG SWITCH

- High On-Off Outputs Voltage Ratio
- High Degree of Linearity

### Logic Diagram



### FUNCTION TABLE

CONTROL INPUT (C)	SWITCH
L	OFF
H	ON

### ELECTRICAL CHARACTERISTICS AND RECOMMENDED OPERATING CONDITIONS

PARAMETER	MAX or MIN	VLC 5V	VLC 3.3V	VLC 2.5V	VLC 1.8V	AUC 2.5V	AUC 1.8V	UNIT
I <sub>CC</sub>	MAX	0.01	0.01	0.01	0.01	0.01	0.01	mA
R <sub>ON</sub>	MAX	10	15	20	30	15	20	Ω
R <sub>ON(P)</sub>	MAX	15	20	30	120	20	80	Ω

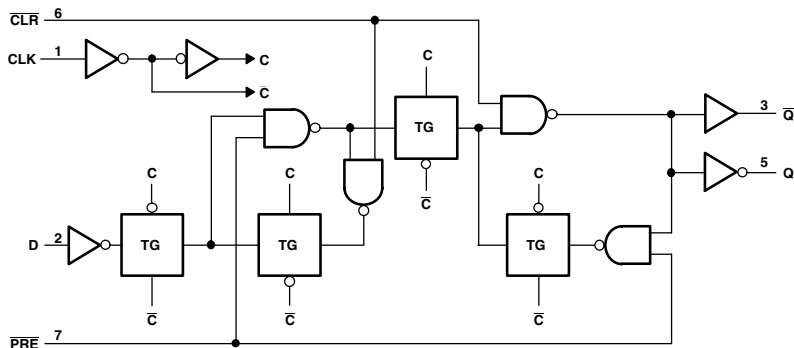
### SWITCHING CHARACTERISTICS

PARAMETER	INPUT	OUTPUT	MAX or MIN	VLC 5V	VLC 3.3V	VLC 2.5V	VLC 1.8V	AUC 2.5V	AUC 1.8V
t <sub>PLH</sub>	A or B	B or A	MAX	0.6	0.8	1.2	2	0.3	0.3
t <sub>PHL</sub>				0.6	0.8	1.2	2	0.3	0.3
t <sub>PZH</sub>	C	B or A	MAX	4.2	5	6.5	12	1.4	2.3
t <sub>PZL</sub>				4.2	5	6.5	12	1.4	2.3
t <sub>PHZ</sub>	C	B or A	MAX	5	6.5	6.9	10	1.5	2.9
t <sub>PLZ</sub>				5	6.5	6.9	10	1.5	2.9

UNIT : ns

## SINGLE POSITIVE-EDGE-TRIGGERED D-TYPE FLIP-FLOP WITH CLEAR AND PRESET

Logic Diagram



FUNCTION TABLE

INPUTS				OUTPUTS	
PRE	CLR	CLK	D	Q	$\bar{Q}$
L	H	X	X	H	L
X	L	X	X	L	H
H	H	↑	H	H	L
H	H	↑	L	L	H
H	H	L	X	$Q_0$	$\bar{Q}_0$

ELECTRICAL CHARACTERISTICS AND RECOMMENDED OPERATING CONDITIONS

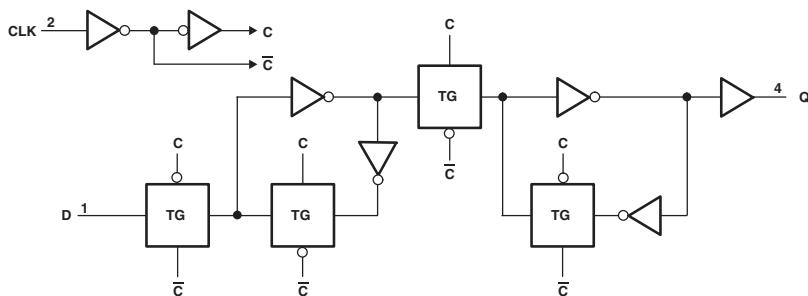
PARAMETER	MAX or MIN	AUC 2.5V	AUC 1.8V	AUP 3.3V	AUP 2.5V	AUP 1.8V	AUP 1.1V	UNIT
$I_{CC}$	MAX	0.01	0.01	0.0009	0.0009	0.0009	0.0009	mA
$I_{OH}$	MAX	-9	-8	-4	-3.1	-1.9	-1.1	mA
$I_{OL}$	MAX	9	8	4	3.1	1.9	1.1	mA

TIMING REQUIREMENTS AND SWITCHING CHARACTERISTICS

PARAMETER	INPUT	OUTPUT	MAX or MIN	AUC 2.5V	AUC 1.8V	AUP 3.3V	AUP 2.5V	AUP 1.8V	AUP 1.1V
$t_{max}$			MIN	275	250	160	130	60	50
$t_w$	Pulse duration	CLK	MIN	1	1	2	2	2	2
		$\overline{PRE}$ or $\overline{CLR}$	low	MIN	1	1	2	2	2
$t_{su}$	Setup time, before CLK ↑	Data	high	MIN	0.4	0.5	0.5	0.5	1
		Data	low	MIN	0.4	0.5	1	1	1
		$\overline{PRE}$ or $\overline{CLR}$	inactive	MIN	0.4	0.7	0.5	0.5	0.5
$t_h$	Hold time, data after CLK ↑		MIN	0.3	0.3	0	0	0	0
$t_{PLH}$	CLK	Q	MAX	1.8	2.4	5.3	7	10.4	21.8
$t_{PHL}$				1.8	2.4	5.3	7	10.4	21.8
$t_{PLH}$	CLK	$\bar{Q}$	MAX	1.8	2.4	5.2	6.7	9.9	20.3
$t_{PHL}$				1.8	2.4	5.2	6.7	9.9	20.3
$t_{PLH}$	$\overline{PRE}$ or $\overline{CLR}$	Q or $\bar{Q}$	MAX	2.1	2.8	5.8	7.4	10.8	21.4
$t_{PHL}$				2.1	2.8	5.8	7.4	10.8	21.4

UNIT  $f_{max}$ : MHz other: ns

Logic Diagram



FUNCTION TABLE

INPUTS		OUTPUT
CLK	D	Q
↑	H	H
↑	L	L
L	X	Q <sub>0</sub>

ELECTRICAL CHARACTERISTICS AND RECOMMENDED OPERATING CONDITIONS

PARAMETER	MAX or MIN	LVC 5V	LVC 3.3V	LVC 2.5V	LVC 1.8V	AUC 2.5V	AUC 1.8V	AUP 3.3V	AUP 2.5V	AUP 1.8V	AUP 1.1V	UNIT
I <sub>CC</sub>	MAX	0.01	0.01	0.01	0.01	0.01	0.01	0.0009	0.0009	0.0009	0.0009	mA
I <sub>OH</sub>	MAX	-32	-24	-8	-4	-9	-8	-4	-3.1	-1.9	-1.1	mA
I <sub>OL</sub>	MAX	32	24	8	4	9	8	4	3.1	1.9	1.1	mA

TIMING REQUIREMENTS AND SWITCHING CHARACTERISTICS

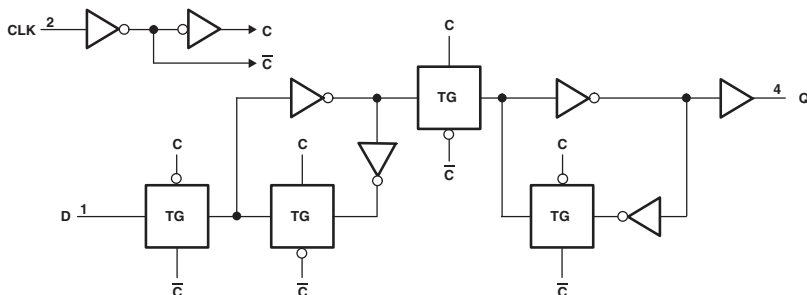
PARAMETER	INPUT	OUTPUT	MAX or MIN	LVC 5V	LVC 3.3V	LVC 2.5V	LVC 1.8V	AUC 2.5V	AUC 1.8V	AUP 3.3V	AUP 2.5V	AUP 1.8V	AUP 1.1V
f <sub>max</sub>			MIN	160	160	160	160	275	250	260	250	240	160
t <sub>w</sub>	CLK high or low		MIN	2.5	2.5	2.5	2.5	1.7	1.7	1.9	1.7	1.6	2.2
t <sub>su</sub>	Before CLK ↑, Data high		MIN	1.2	1.3	1.4	2.2	0.7	0.5	0.6	0.7	0.9	1.4
				1.2	1.3	1.4	2.6	0.7	0.5	1	1	1.1	1.8
t <sub>h</sub>	Data after CLK ↑		MIN	0.5	1.0	0.4	0.3	0.1	0	0	0	0	0
t <sub>PHL</sub>	CLK	Q	MAX	4.5	5	7	9.9	1.8	2.4	4.5	5.7	8	14.4
t <sub>PHL</sub>				4.5	5	7	9.9	1.8	2.4	4.5	5.7	8	14.4

UNIT f<sub>max</sub>: MHz other: ns

# 1G80

## SINGLE POSITIVE-EDGE-TRIGGERED D-TYPE FLIP-FLOP

Logic Diagram



FUNCTION TABLE

INPUTS		OUTPUT
CLK	D	Q
↑	H	L
↑	L	H
L	X	Q <sub>0</sub>

ELECTRICAL CHARACTERISTICS AND RECOMMENDED OPERATING CONDITIONS

PARAMETER	MAX or MIN	VLC 5V	VLC 3.3V	VLC 2.5V	VLC 1.8V	AUC 2.5V	AUC 1.8V	AUP 3.3V	AUP 2.5V	AUP 1.8V	AUP 1.1V	UNIT
I <sub>CC</sub>	MAX	0.01	0.01	0.01	0.01	0.01	0.01	0.0009	0.0009	0.0009	0.0009	mA
I <sub>OH</sub>	MAX	-32	-24	-8	-4	-9	-8	-4	-3.1	-1.9	-1.1	mA
I <sub>OL</sub>	MAX	32	24	8	4	9	8	4	3.1	1.9	1.1	mA

TIMING REQUIREMENTS AND SWITCHING CHARACTERISTICS

PARAMETER	INPUT	OUTPUT	MAX or MIN	VLC 5V	VLC 3.3V	VLC 2.5V	VLC 1.8V	AUC 2.5V	AUC 1.8V	AUP 3.3V	AUP 2.5V	AUP 1.8V	AUP 1.1V
f <sub>max</sub>			MIN	160	160	160	160	275	250	260	250	240	170
t <sub>w</sub>	CLK high or low		MIN	2.5	2.5	2.5	2.5	1.7	1.7	1.9	1.7	1.6	2.5
t <sub>su</sub>	Before CLK ↑, Data high		MIN	1.1	1.3	1.5	2.3	0.5	0.6	0.4	0.6	0.8	1.2
				1.1	1.3	1.5	2.5	0.5	0.6	0.7	0.8	1.1	2
t <sub>h</sub>	Data after CLK ↑		MIN	0.4	0.9	0.2	0	0.1	0.1	0	0	0	0
τ <sub>PLH</sub>	CLK	Q̄	MAX	4.5	5.2	7	9.9	1.8	2.4	4.9	6.3	7.3	17.7
τ <sub>PHL</sub>				4.5	5.2	7	9.9	1.8	2.4	4.9	6.3	7.3	17.7

UNIT f<sub>max</sub>: MHz other: ns

# 1G86

## SINGLE 2-INPUT EXCLUSIVE-OR GATE

$$Y = A \oplus B$$

### FUNCTION TABLE

INPUTS		OUTPUT
A	B	Y
L	L	L
L	H	H
H	L	H
H	H	L

### ELECTRICAL CHARACTERISTICS AND RECOMMENDED OPERATING CONDITIONS

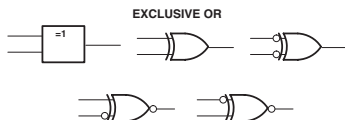
PARAMETER	MAX or MIN	AHC	AHCT	LVC 5V	LVC 3.3V	LVC 2.5V	LVC 1.8V	AUC 2.5V	AUC 1.8V	UNIT
I <sub>CC</sub>	MAX	0.01	0.01	0.01	0.01	0.01	0.01	0.01	0.01	mA
I <sub>OH</sub>	MAX	-8	-8	-32	-24	-8	-4	-9	-8	mA
I <sub>OL</sub>	MAX	8	8	32	24	8	4	9	8	mA

### SWITCHING CHARACTERISTICS

PARAMETER	INPUT	OUTPUT	MAX or MIN	AHC	AHCT	LVC 5V	LVC 3.3V	LVC 2.5V	LVC 1.8V	AUC 2.5V	AUC 1.8V
T <sub>PH</sub>	A or B	Y	MAX	10	9	4	5	5.5	9.9	2	2.6
				10	9	4	5	5.5	9.9	2	2.6

UNIT:ns

### Logic Diagram



An exclusive-OR gate has many applications, some of which can be represented better by alternative logic symbols.

# 1G97

## CONFIGURABLE MULTIPLE-FUNCTION GATE

### FUNCTION SELECTION TABLE

2-to-1 data selector
2-input AND gate
2-input OR gate with one inverted input
2-input NAND gate with one inverted input
2-input AND gate with one inverted input
2-input NOR gate with one inverted input
2-input OR gate
Inverter
Noninverted buffer

### FUNCTION TABLE

INPUTS			OUTPUT
In2	In1	In0	Y
L	L	L	L
L	L	H	L
L	H	L	H
L	H	H	H
H	L	L	L
H	L	H	H
H	H	L	L
H	H	H	H

### ELECTRICAL CHARACTERISTICS AND RECOMMENDED OPERATING CONDITIONS

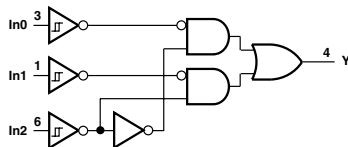
PARAMETER	MAX or MIN	LVC 5V	LVC 3.3V	LVC 2.5V	LVC 1.8V	AUP 3.3V	AUP 2.5V	AUP 1.8V	AUP 1.1V	UNIT
I <sub>CC</sub>	MAX	0.01	0.01	0.01	0.01	0.0009	0.0009	0.0009	0.0009	mA
I <sub>OH</sub>	MAX	-32	-24	-8	-4	-4	-3.1	-1.9	-1.1	mA
I <sub>OL</sub>	MAX	32	24	8	4	4	3.1	1.9	1.1	mA

### SWITCHING CHARACTERISTICS

PARAMETER	INPUT	OUTPUT	MAX or MIN	LVC 5V	LVC 3.3V	LVC 2.5V	LVC 1.8V	AUP 3.3V	AUP 2.5V	AUP 1.8V	AUP 1.1V
T <sub>PH</sub>	Any In	Y	MAX	5.1	6.3	8.3	14.4	6.4	7.8	10.5	19.2
				5.1	6.3	8.3	14.4	6.4	7.8	10.5	19.2

UNIT:ns

### Logic Diagram



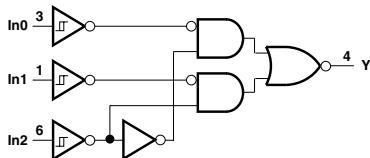
# 1G98

## CONFIGURABLE MULTIPLE-FUNCTION GATE

### FUNCTION SELECTION TABLE

2-to-1 data selector with inverted output
2-input NAND gate
2-input NOR gate with one inverted input
2-input AND gate with one inverted input
2-input NAND gate with one inverted input
2-input OR gate with one inverted input
2-input NOR gate
Noninverted buffer
Inverter

### Logic Diagram



### FUNCTION TABLE

INPUTS			OUTPUT
In2	In1	In0	Y
L	L	L	H
L	L	H	H
L	H	L	L
L	H	H	L
H	L	L	H
H	L	H	L
H	H	L	H
H	H	H	L

### ELECTRICAL CHARACTERISTICS AND RECOMMENDED OPERATING CONDITIONS

PARAMETER	MAX or MIN	V <sub>CC</sub> 5V	V <sub>CC</sub> 3.3V	V <sub>CC</sub> 2.5V	V <sub>CC</sub> 1.8V	AUP 3.3V	AUP 2.5V	AUP 1.8V	AUP 1.1V	UNIT
I <sub>CC</sub>	MAX	0.01	0.01	0.01	0.01	0.0009	0.0009	0.0009	0.0009	mA
I <sub>OH</sub>	MAX	-32	-24	-8	-4	-4	-3.1	-1.9	-1.1	mA
I <sub>OL</sub>	MAX	32	24	8	4	4	3.1	1.9	1.1	mA

### SWITCHING CHARACTERISTICS

PARAMETER	INPUT	OUTPUT	MAX or MIN	V <sub>CC</sub> 5V	V <sub>CC</sub> 3.3V	V <sub>CC</sub> 2.5V	V <sub>CC</sub> 1.8V	AUP 3.3V	AUP 2.5V	AUP 1.8V	AUP 1.1V
t <sub>PLH</sub>	Any In	Y	MAX	5.1	6.3	8.3	14.4	6	7.3	10.2	19
t <sub>PHL</sub>				5.1	6.3	8.3	14.4	6	7.3	10.2	19

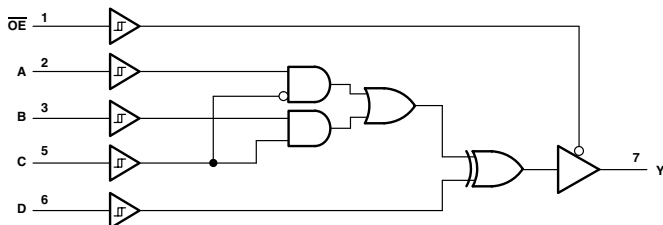
UNIT:ns



## SINGLE RETRIGGERABLE MONOSTABLE MULTIVIBRATOR WITH SCHMITT-TRIGGER INPUTS

- Offers Nine Different Logic Functions in a Single Package

Logic Diagram



FUNCTION TABLE

INPUTS					OUTPUT
OE	D	C	B	A	Y
L	L	L	L	L	L
L	L	L	L	H	H
L	L	L	H	L	L
L	L	L	H	H	H
L	L	H	L	L	L
L	L	H	L	H	L
L	L	H	H	L	H
L	L	H	H	H	H
L	H	L	L	L	H
L	H	L	L	H	L
L	H	L	H	L	H
L	H	L	H	H	L
L	H	H	L	L	H
L	H	H	L	H	H
L	H	H	H	L	L
L	H	H	H	H	H
H	H or L	H or L	H or L	H or L	Z

PRIMARY FUNCTION

3-state buffer
3-state inverter
3-state 2-in-1 data selector MUX
3-state 2-in-1 data selector MUX, inverted out
3-state 2-input AND
3-state 2-input AND, one input inverted
3-state 2-input AND, both inputs inverted
3-state 2-input NAND
3-state 2-input NAND, one input inverted
3-state 2-input NAND, both inputs inverted
3-state 2-input XOR
3-state 2-input XNOR

COMPLEMENTARY FUNCTION

3-state 2-input NOR, both inputs inverted
3-state 2-input NOR, one input inverted
3-state 2-input NOR
3-state 2-input OR, both inputs inverted
3-state 2-input OR, one input inverted
3-state 2-input OR
3-state 2-input XOR, one input inverted

ELECTRICAL CHARACTERISTICS AND RECOMMENDED OPERATING CONDITIONS

PARAMETER	MAX or MIN	VLC 5V	VLC 3.3V	VLC 2.5V	VLC 1.8V	AUP 3.3V	AUP 2.5V	AUP 1.8V	AUP 1.1V	UNIT
I <sub>CC</sub>	MAX	0.01	0.01	0.01	0.01	0.0009	0.0009	0.0009	0.0009	mA
I <sub>DH</sub>	MAX	-32	-24	-8	-4	-4	-3.1	-1.9	-1.1	mA
I <sub>OL</sub>	MAX	32	24	8	4	4	3.1	1.9	1.1	mA

SWITCHING CHARACTERISTICS

PARAMETER	INPUT	OUTPUT	MAX or MIN	VLC 5V	VLC 3.3V	VLC 2.5V	VLC 1.8V	AUP 3.3V	AUP 2.5V	AUP 1.8V	AUP 1.1V
I <sub>PLH</sub>	A	Y	MAX	5.5	8.4	11.7	30.8	8.4	10.5	14.5	29.8
				5.5	8.4	11.7	30.8	8.4	10.5	14.5	29.8
I <sub>PHL</sub>	A	Y	MAX	5.4	8.2	11.3	28.9	8.4	10.5	14.5	29.8
				5.4	8.2	11.3	28.9	8.4	10.5	14.5	29.8
I <sub>PLH</sub>	B	Y	MAX	5.7	8.6	12.3	29.8	8.4	10.5	14.5	29.8
				5.7	8.6	12.3	29.8	8.4	10.5	14.5	29.8
I <sub>PHL</sub>	B	Y	MAX	5.2	7.6	10.7	25.7	8.4	10.5	14.5	29.8
				5.2	7.6	10.7	25.7	8.4	10.5	14.5	29.8
I <sub>PLH</sub>	C	Y	MAX	5.7	8.6	12.3	29.8	8.4	10.5	14.5	29.8
				5.7	8.6	12.3	29.8	8.4	10.5	14.5	29.8
I <sub>PHL</sub>	C	Y	MAX	5.2	7.6	10.7	25.7	8.4	10.5	14.5	29.8
				5.2	7.6	10.7	25.7	8.4	10.5	14.5	29.8
I <sub>PLH</sub>	D	Y	MAX	5.2	7.6	10.7	25.7	8.4	10.5	14.5	29.8
				5.2	7.6	10.7	25.7	8.4	10.5	14.5	29.8
I <sub>PZH</sub>	OE	Y	MAX	4.7	7	11.3	25.2	8.2	9.9	14.8	29.3
				4.7	7	11.3	25.2	8.2	9.9	14.8	29.3
I <sub>PHZ</sub>	OE	Y	MAX	4.5	5.6	5.8	15	5.8	5.5	7.9	10
				4.5	5.6	5.8	15	5.8	5.5	7.9	10

UNIT: ns

## SINGLE RETRIGGERABLE MONOSTABLE MULTIVIBRATOR WITH SCHMITT-TRIGGER INPUTS

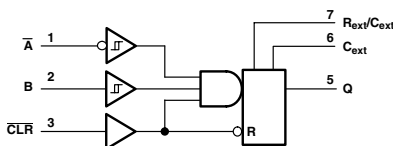
- Schmitt-Triggered Circuitry on  $\bar{A}$  and B Inputs for Slow Input Transition Rates
- Edge Triggered From Active-High or Active-Low Gated Logic Inputs
- Retriggerable for Very Long Outputs Pulses, up to 100% Duty Cycle
- Overriding Clear Terminates Output Pulse
- Glitch-Free Power-Up Reset on Outputs

## FUNCTION TABLE

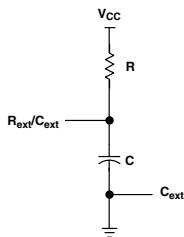
INPUTS			OUTPUT
CLR	$\bar{A}$	B	Q
L	X	X	L
X	H	X	L <sup>(1)</sup>
X	X	L	L <sup>(1)</sup>
H	L	↑	⌋
H	↓	H	⌋
↑	L	H	⌋

(1) These outputs are based on the assumption that the indicated steady-state conditions at the A and B inputs have been set up long enough to complete any pulse started before the setup.

## Logic Diagram



## REQUIRED TIMING CIRCUIT



## ELECTRICAL CHARACTERISTICS AND RECOMMENDED OPERATING CONDITIONS

PARAMETER		MAX or MIN	LVC 5V	LVC 3.3V	LVC 2.5V	LVC 1.8V	UNIT
I <sub>CC</sub>	Quiescent	MAX	0.01	-	-	-	mA
I <sub>CC</sub>	Active State	MAX	0.975	0.65	0.28	0.22	mA
I <sub>QH</sub>		MAX	-32	-24	-8	-4	mA
I <sub>OL</sub>		MAX	32	24	8	4	mA

## TIMING REQUIREMENTS

PARAMETER		MAX or MIN	LVC 5V	LVC 3.3V	LVC 2.5V	LVC 1.8V
t <sub>wIN</sub>	CLR	MAX	2.5	3	4	8
	$\bar{A}$ or B trigger	MAX	2.5	3	4	8

UNIT : ns

## SWITCHING CHARACTERISTICS

PARAMETER	INPUT	OUTPUT	MAX or MIN	LVC 5V	LVC 3.3V	LVC 2.5V	LVC 1.8V
t <sub>PLH</sub>	$\bar{A}$ or B	Q	MAX	8.2	12.5	18.5	57
t <sub>PHL</sub>				8.2	12.5	18.5	57
t <sub>PLH</sub>	CLR	Q	MAX	6	8.6	12.5	36.5
t <sub>PHL</sub>				6	8.6	12.5	36.5
t <sub>PLH</sub>	CLR trigger	Q	MAX	7.5	11.5	17	59
t <sub>PHL</sub>				7.5	11.5	17	59

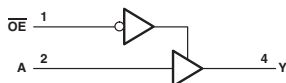
UNIT : ns

# 1G125

## Logic Diagram

### SINGLE BUS BUFFER GATE WITH 3-STATE OUTPUT

$$\bullet Y = A$$



#### FUNCTION TABLE

INPUTS		OUTPUT
OE	A	Y
L	H	H
L	L	L
H	X	Z

#### ELECTRICAL CHARACTERISTICS AND RECOMMENDED OPERATING CONDITIONS

PARAMETER	MAX or MIN	AHC	AHCT	LVC 5V	LVC 3.3V	LVC 2.5V	LVC 1.8V	AUC 2.5V	AUC 1.8V	AUP 3.3V	AUP 2.5V	AUP 1.8V	AUP 1.1V	UNIT
I <sub>CC</sub>	MAX	0.01	0.01	0.01	0.01	0.01	0.01	0.01	0.01	0.0009	0.0009	0.0009	0.0009	mA
I <sub>DH</sub>	MAX	-8	-8	-32	-24	-8	-4	-9	-8	-4	-3.1	-1.9	-1.1	mA
I <sub>OL</sub>	MAX	8	8	32	24	8	4	9	8	4	3.1	1.9	1.1	mA

#### SWITCHING CHARACTERISTICS

PARAMETER	INPUT	OUTPUT	MAX or MIN	AHC	AHCT	LVC 5V	LVC 3.3V	LVC 2.5V	LVC 1.8V	AUC 2.5V	AUC 1.8V	AUP 3.3V	AUP 2.5V	AUP 1.8V	AUP 1.1V
t <sub>PLH</sub>	A	Y	MAX	8.5	8.5	4	4.5	5.5	9	1.7	2.5	5.2	6.4	9.1	16.6
				8.5	8.5	4	4.5	5.5	9	1.7	2.5	5.2	6.4	9.1	16.6
t <sub>PHL</sub>	A	Y	MAX	8	8	5	5.3	6.6	10.1	1.9	2.6	6.4	7.8	11	20.2
				8	8	5	5.3	6.6	10.1	1.9	2.6	6.4	7.8	11	20.2
t <sub>PZH</sub>	OE	Y	MAX	10	10	4.2	5	5	9.2	1.7	3.1	5.6	5.4	7.5	14
				10	10	4.2	5	5	9.2	1.7	3.1	5.6	5.4	7.5	14
t <sub>PHZ</sub>	OE	Y	MAX	10	10	4.2	5	5	9.2	1.7	3.1	5.6	5.4	7.5	14
				10	10	4.2	5	5	9.2	1.7	3.1	5.6	5.4	7.5	14

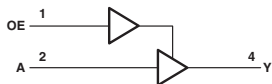
UNIT:ns

# 1G126

## Logic Diagram

### SINGLE BUS BUFFER GATE WITH 3-STATE OUTPUT

$$\bullet Y = A$$



#### FUNCTION TABLE

INPUTS		OUTPUT
OE	A	Y
H	H	H
H	L	L
L	X	Z

#### ELECTRICAL CHARACTERISTICS AND RECOMMENDED OPERATING CONDITIONS

PARAMETER	MAX or MIN	AHC	AHCT	LVC 5V	LVC 3.3V	LVC 2.5V	LVC 1.8V	AUC 2.5V	AUC 1.8V	AUP 3.3V	AUP 2.5V	AUP 1.8V	AUP 1.1V	UNIT
I <sub>CC</sub>	MAX	0.01	0.01	0.01	0.01	0.01	0.01	0.01	0.01	0.0009	0.0009	0.0009	0.0009	mA
I <sub>DH</sub>	MAX	-8	-8	-32	-24	-8	-4	-9	-8	-4	-3.1	-1.9	-1.1	mA
I <sub>OL</sub>	MAX	8	8	32	24	8	4	9	8	4	3.1	1.9	1.1	mA

#### SWITCHING CHARACTERISTICS

PARAMETER	INPUT	OUTPUT	MAX or MIN	AHC	AHCT	LVC 5V	LVC 3.3V	LVC 2.5V	LVC 1.8V	AUC 2.5V	AUC 1.8V	AUP 3.3V	AUP 2.5V	AUP 1.8V	AUP 1.1V
t <sub>PLH</sub>	A	Y	MAX	8.5	8.5	4	4.5	5.5	8	1.7	2.5	5.2	6.4	9.1	16.6
				8.5	8.5	4	4.5	5.5	8	1.7	2.5	5.2	6.4	9.1	16.6
t <sub>PHL</sub>	A	Y	MAX	8	8	5	5.3	6.6	9.4	1.9	2.5	6.4	7.8	11	20.2
				8	8	5	5.3	6.6	9.4	1.9	2.5	6.4	7.8	11	20.2
t <sub>PZH</sub>	OE	Y	MAX	10	10	4.2	5.5	5.5	9.8	2.1	3.1	5.6	5.4	7.5	14
				10	10	4.2	5.5	5.5	9.8	2.1	3.1	5.6	5.4	7.5	14
t <sub>PHZ</sub>	OE	Y	MAX	10	10	4.2	5.5	5.5	9.8	2.1	3.1	5.6	5.4	7.5	14
				10	10	4.2	5.5	5.5	9.8	2.1	3.1	5.6	5.4	7.5	14

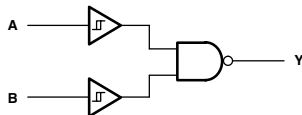
UNIT:ns

# 1G132

## SINGLE 2-INPUT NAND GATE WITH SCHMITT-TRIGGER INPUTS

●  $Y = \overline{A \cdot B}$  or  $Y = \overline{\overline{A} + \overline{B}}$

Logic Diagram



FUNCTION TABLE

INPUTS		OUTPUT
A	B	Y
L	L	H
L	H	H
H	L	H
H	H	L

ELECTRICAL CHARACTERISTICS AND RECOMMENDED OPERATING CONDITIONS

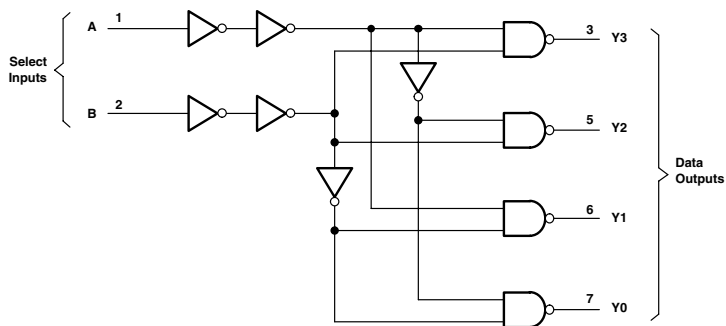
PARAMETER	MAX or MIN	VLC 5V	VLC 3.3V	VLC 2.5V	VLC 1.8V	UNIT
$I_{CC}$	MAX	0.01	0.01	0.01	0.01	mA
$I_{OH}$	MAX	-32	-24	-8	-4	mA
$I_{OL}$	MAX	32	24	8	4	mA

SWITCHING CHARACTERISTICS

PARAMETER	INPUT	OUTPUT	MAX or MIN	VLC 5V	VLC 3.3V	VLC 2.5V	VLC 1.8V
$t_{PLH}$	A or B	Y	MAX	5	6	7.5	16
$t_{PHL}$				5	6	7.5	16

UNIT : ns

Logic Diagram



FUNCTION TABLE

INPUTS		OUTPUTS			
B	A	Y0	Y1	Y2	Y3
L	L	L	H	H	H
L	H	H	L	H	H
H	L	H	H	L	H
H	H	H	H	H	L

ELECTRICAL CHARACTERISTICS AND RECOMMENDED OPERATING CONDITIONS

PARAMETER	MAX or MIN	LVC 5V	LVC 3.3V	LVC 2.5V	LVC 1.8V	UNIT
$I_{CC}$	MAX	0.01	0.01	0.01	0.01	mA
$I_{OH}$	MAX	-32	-24	-8	-4	mA
$I_{OL}$	MAX	32	24	8	4	mA

SWITCHING CHARACTERISTICS

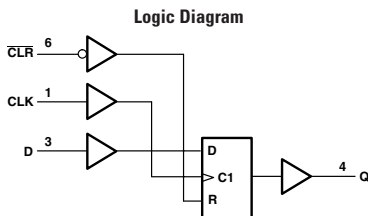
PARAMETER	INPUT	OUTPUT	MAX or MIN	LVC 5V	LVC 3.3V	LVC 2.5V	LVC 1.8V
$t_{PLH}$	A or B	Y	MAX	4.2	5.9	8.2	16.7
$t_{PHL}$				4.2	5.9	8.2	16.7

UNIT : ns

# 1G175

## SINGLE D-TYPE FLIP-FLOP WITH ASYNCHRONOUS CLEAR

- Complementary Outputs ( $Q$ ,  $\bar{Q}$ )
- Buffered Clock and Direct Clear Inputs
- Asynchronous Clear Function



**FUNCTION TABLE**

INPUTS			OUTPUT
CLR	CLK	D	Q
H	↑	L	L
H	↑	H	H
H	H or L	X	$Q_0$
L	X	X	L

**ELECTRICAL CHARACTERISTICS AND RECOMMENDED OPERATING CONDITIONS**

PARAMETER	MAX or MIN	LVC 5V	LVC 3.3V	LVC 2.5V	LVC 1.8V	UNIT
$I_{CC}$	MAX	0.01	0.01	0.01	0.01	mA
$I_{OH}$	MAX	-32	-24	-8	-4	mA
$I_{OL}$	MAX	32	24	8	4	mA

**TIMING REQUIREMENTS AND SWITCHING CHARACTERISTICS**

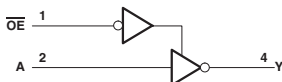
PARAMETER	INPUT	OUTPUT	MAX or MIN	LVC 5V	LVC 3.3V	LVC 2.5V	LVC 1.8V
$f_{max}$			MIN	175	150	125	100
$t_w$ Pulse duration	CLR	Low	MIN	2.5	2.8	3	5.6
	CLK	High or low	MIN	2.5	2.8	3	3.5
$t_{su}$ Setup time, before CLK ↑	Data		MIN	1.5	2	2.5	3
	CLR inactive		MIN	0.5	0.5	0	0
$t_h$ Hold time, data after CLK ↑			MIN	0.5	0.5	0	0
$t_{PLH}$	CLK	Q	MAX	4	5.7	7.1	13.4
$t_{PHL}$				4	5.7	7.1	13.4
$t_{PLH}$	CLR	Q	MAX	4.1	5.8	7	12.9
$t_{PHL}$				4.1	5.8	7	12.9

UNIT  $f_{max}$ : MHz other: ns

# 1G240

## SINGLE BUFFER/DRIVER WITH 3-STATE OUTPUT

### Logic Diagram



### FUNCTION TABLE

INPUTS		OUTPUT
OE	A	Y
L	H	L
L	L	H
H	X	Z

### ELECTRICAL CHARACTERISTICS AND RECOMMENDED OPERATING CONDITIONS

PARAMETER	MAX or MIN	VLC 5V	VLC 3.3V	VLC 2.5V	VLC 1.8V	AUC 2.5V	AUC 1.8V	AUP 3.3V	AUP 2.5V	AUP 1.8V	AUP 1.1V	UNIT
I <sub>CC</sub>	MAX	0.01	0.01	0.01	0.01	0.01	0.01	0.0009	0.0009	0.0009	0.0009	mA
I <sub>OH</sub>	MAX	-32	-24	-8	-4	-9	-8	-4	-3.1	-1.9	-1.1	mA
I <sub>OL</sub>	MAX	32	24	8	4	9	8	4	3.1	1.9	1.1	mA

### SWITCHING CHARACTERISTICS

PARAMETER	INPUT	OUTPUT	MAX or MIN	VLC 5V	VLC 3.3V	VLC 2.5V	VLC 1.8V	AUC 2.5V	AUC 1.8V	AUP 3.3V	AUP 2.5V	AUP 1.8V	AUP 1.1V
t <sub>PLH</sub>	A	Y	MAX	4	4.5	5.5	8.6	1.7	2.5	5.2	6.3	9.1	17.3
t <sub>PHL</sub>				4	4.5	5.5	8.6	1.7	2.5	5.2	6.3	9.1	17.3
t <sub>PZH</sub>	OE	Y	MAX	5.2	5.4	6.5	10.0	1.9	2.6	6.3	7.7	10.9	20.9
t <sub>PZL</sub>				5.2	5.4	6.5	10.0	1.9	2.6	6.3	7.7	10.9	20.9
t <sub>PHZ</sub>	OE	Y	MAX	4.1	5.2	4.9	9.4	1.7	3.1	9.1	7.3	10.1	12.9
t <sub>PLZ</sub>				4.1	5.2	4.9	9.4	1.7	3.1	9.1	7.3	10.1	12.9

UNIT:ns

# 1G332

## SINGLE 3-INPUT POSITIVE-OR GATE

### Logic Diagram



●  $Y = A + B + C$

### FUNCTION TABLE

INPUTS			OUTPUT
A	B	C	Y
H	X	X	H
X	H	X	H
X	X	H	H
L	L	L	L

### ELECTRICAL CHARACTERISTICS AND RECOMMENDED OPERATING CONDITIONS

PARAMETER	MAX or MIN	VLC 5V	VLC 3.3V	VLC 2.5V	VLC 1.8V	UNIT
I <sub>CC</sub>	MAX	0.01	0.01	0.01	0.01	mA
I <sub>OH</sub>	MAX	-32	-24	-8	-4	mA
I <sub>OL</sub>	MAX	32	24	8	4	mA

### SWITCHING CHARACTERISTICS

PARAMETER	INPUT	OUTPUT	MAX or MIN	VLC 5V	VLC 3.3V	VLC 2.5V	VLC 1.8V
t <sub>PLH</sub>	A, B or C	Y	MAX	3.5	4.8	6.2	17.2
t <sub>PHL</sub>				3.5	4.8	6.2	17.2

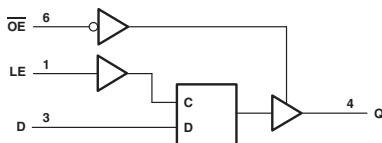
UNIT:ns

# 1G373

## SINGLE D-TYPE LATCH WITH 3-STATE OUTPUT

- 3-State Outputs
- Buffered Control Inputs

Logic Diagram



FUNCTION TABLE

INPUTS			OUTPUT
OE	LE	D	Q
L	H	L	L
L	H	H	H
L	L	X	Q <sub>O</sub>
H	X	X	Z

ELECTRICAL CHARACTERISTICS AND RECOMMENDED OPERATING CONDITIONS

PARAMETER	MAX or MIN	LVC 5V	LVC 3.3V	LVC 2.5V	LVC 1.8V	UNIT
I <sub>CC</sub>	MAX	0.01	0.01	0.01	0.01	mA
I <sub>OH</sub>	MAX	-32	-24	-8	-4	mA
I <sub>OL</sub>	MAX	32	24	8	4	mA

TIMING REQUIREMENTS AND SWITCHING CHARACTERISTICS

PARAMETER	INPUT	OUTPUT	MAX or MIN	LVC 5V	LVC 3.3V	LVC 2.5V	LVC 1.8V
t <sub>w</sub>	Pulse duration, LE high		MIN	3	3	3	3
t <sub>su</sub>	Setup time, data before LE ↓		MIN	1.5	1.5	2	2.4
t <sub>h</sub>	Hold time, data after LE ↓		MIN	1.5	1.5	1.5	2.5
t <sub>PLH</sub>	D	Q	MAX	4	5.4	7.3	16
t <sub>PHL</sub>				4	5.4	7.3	16
t <sub>PLH</sub>	LE	Q	MAX	4	5.5	7.4	16.3
t <sub>PHL</sub>				4	5.5	7.4	16.3
t <sub>PZH</sub>	OE	Q	MAX	3.7	5.1	6.3	13
t <sub>PZL</sub>				3.7	5.1	6.3	13
t <sub>PHZ</sub>	OE	Q	MAX	4.6	6.5	5.9	17.4
t <sub>PLZ</sub>				4.6	6.5	5.9	17.4

UNIT : ns

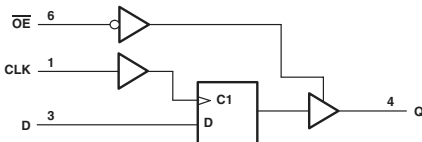


# 1G374

## SINGLE D-TYPE FLIP-FLOP WITH 3-STATE OUTPUT

- 3-State Outputs
- Buffered Control Inputs

Logic Diagram



FUNCTION TABLE

INPUTS			OUTPUT
$\overline{OE}$	CLK	D	Q
L	↑	L	L
L	↑	H	H
L	H or L	X	Q
H	X	X	Z

ELECTRICAL CHARACTERISTICS AND RECOMMENDED OPERATING CONDITIONS

PARAMETER	MAX or MIN	LVC 5V	LVC 3.3V	LVC 2.5V	LVC 1.8V	UNIT
$I_{CC}$	MAX	0.01	0.01	0.01	0.01	mA
$I_{OH}$	MAX	-32	-24	-8	-4	mA
$I_{OL}$	MAX	32	24	8	4	mA

TIMING REQUIREMENTS AND SWITCHING CHARACTERISTICS

PARAMETER	INPUT	OUTPUT	MAX or MIN	LVC 5V	LVC 3.3V	LVC 2.5V	LVC 1.8V
$f_{max}$			MIN	175	150	125	100
$t_w$	Pulse duration, CLK high or low		MIN	2.5	2.8	3	3.3
$t_{su}$	Setup time, data before CLK ↑		MIN	1.5	2	2.5	3.5
$t_h$	Hold time, data after CLK ↑		MIN	1.5	1.5	1.6	3.4
$t_{PLH}$	CLK	Q	MAX	4	6	8.2	18.3
$t_{PHL}$				4	6	8.2	18.3
$t_{PZH}$	$\overline{OE}$	Q	MAX	3.5	5	6.3	13
$t_{PZL}$				3.5	5	6.3	13
$t_{PHZ}$	$\overline{OE}$	Q	MAX	3.1	4.5	5.3	14
$t_{PLZ}$				3.1	4.5	5.3	14

UNIT  $f_{max}$ : MHz other: ns

## SINGLE 3-INPUT EXCLUSIVE-XOR GATE

$$Y = A \oplus B \oplus C$$



FUNCTION TABLE

INPUTS			OUTPUT
A	B	C	Y
L	L	L	L
L	L	H	H
L	H	L	H
L	H	H	L
H	L	L	H
H	L	H	L
H	H	L	L
H	H	H	H

ELECTRICAL CHARACTERISTICS AND RECOMMENDED OPERATING CONDITIONS

PARAMETER	MAX or MIN	LVC 5V	LVC 3.3V	LVC 2.5V	LVC 1.8V	UNIT
I <sub>CC</sub>	MAX	0.01	0.01	0.01	0.01	mA
I <sub>OH</sub>	MAX	-32	-24	-8	-4	mA
I <sub>OL</sub>	MAX	32	24	8	4	mA

SWITCHING CHARACTERISTICS

PARAMETER	INPUT	OUTPUT	MAX or MIN	LVC 5V	LVC 3.3V	LVC 2.5V	LVC 1.8V
t <sub>PLH</sub>	A, B or C	Y	MAX	4	5	5.5	12
t <sub>PHL</sub>				4	5	5.5	12

UNIT:ns

## 1G0832

## SINGLE 3-INPUT POSITIVE AND-OR GATE

$$Y = (A \cdot B) + C$$

- Can Be Used in Three Combinations

AND-OR Gate

AND Gate

OR Gate

Logic Diagram



FUNCTION SELECTION TABLE

2-Input AND Gate
2-Input OR Gate
$Y = (A \cdot B) + C$

FUNCTION TABLE

INPUTS			OUTPUT
A	B	C	Y
X	X	H	H
H	H	X	H
X	L	L	L
L	X	L	L

X = Valid H or L

ELECTRICAL CHARACTERISTICS AND RECOMMENDED OPERATING CONDITIONS

PARAMETER	MAX or MIN	LVC 5V	LVC 3.3V	LVC 2.5V	LVC 1.8V	UNIT
I <sub>CC</sub>	MAX	0.01	0.01	0.01	0.01	mA
I <sub>OH</sub>	MAX	-32	-24	-8	-4	mA
I <sub>OL</sub>	MAX	32	24	8	4	mA

SWITCHING CHARACTERISTICS

PARAMETER	INPUT	OUTPUT	MAX or MIN	LVC 5V	LVC 3.3V	LVC 2.5V	LVC 1.8V
t <sub>PLH</sub>	A, B, or C	Y	MAX	4	5.9	7.6	17.5
t <sub>PHL</sub>				4	5.9	7.6	17.5

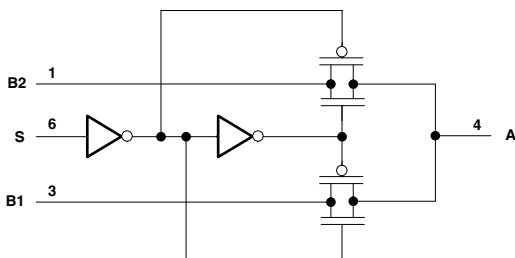
UNIT: ns

# 1G3157

## SINGLE-POLE, DOUBLE-THROW ANALOG SWITCH

- Useful for Both Analog and Digital Applications
- Specified Break-Before-Make Switching
- Rail-to-Rail Signal Handling
- High Degree of Linearity

Logic Diagram



FUNCTION TABLE

CONTROL INPUT S	ON CHANNEL
L	B1
H	B2

RECOMMENDED OPERATING CONDITIONS

PARAMETER	MAX or MIN	LVC 5V	LVC 3.3V	LVC 2.5V	LVC 1.8V	UNIT
$I_{CC}$	MAX	0.01	0.01	0.01	0.01	mA

ELECTRICAL CHARACTERISTICS

PARAMETER	MAX or MIN	LVC 5V	LVC 3.3V	LVC 2.5V	LVC 1.8V	UNIT				
$I_O$		30	-30	24	-24	8	-8	4	-4	mA
$R_{ON}$	MAX	7	15	9	20	12	30	20	50	$\Omega$

UNIT:ns

SWITCHING CHARACTERISTICS

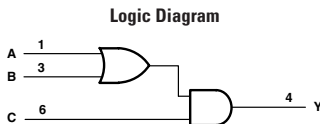
PARAMETER	INPUT	OUTPUT	MAX or MIN	LVC 5V	LVC 3.3V	LVC 2.5V	LVC 1.8V
$t_{PLH}$	A or Bn	Bn or A	MAX	0.3	0.8	1.2	2
$t_{PHL}$				0.3	0.8	1.2	2
$t_{PZH}$	S	Bn	MAX	5.7	7.6	14	24
$t_{PZL}$				5.7	7.6	14	24
$t_{PHZ}$	S	Bn	MAX	3.8	5.3	7.5	13
$t_{PLZ}$				3.8	5.3	7.5	13

UNIT:ns

# 1G3208

## SINGLE 3-INPUT POSITIVE OR-AND GATE

- $Y = (A + B) \cdot C$
- Can Be Used in Three Combinations  
OR-AND Gate  
OR Gate  
AND Gate



### FUNCTION SELECTION TABLE

2-Input AND Gate
2-Input OR Gate
$Y = (A + B) \cdot C$

### FUNCTION TABLE

INPUTS			OUTPUT
A	B	C	Y
H	X	H	H
X	H	H	H
X	X	L	L
L	L	H	L

X = Valid H or L

### ELECTRICAL CHARACTERISTICS AND RECOMMENDED OPERATING CONDITIONS

PARAMETER	MAX or MIN	LVC 5V	LVC 3.3V	LVC 2.5V	LVC 1.8V	UNIT
$I_{CC}$	MAX	0.01	0.01	0.01	0.01	mA
$I_{OH}$	MAX	-32	-24	-8	-4	mA
$I_{OL}$	MAX	32	24	8	4	mA

### SWITCHING CHARACTERISTICS

PARAMETER	INPUT	OUTPUT	MAX or MIN	LVC 5V	LVC 3.3V	LVC 2.5V	LVC 1.8V
$t_{PLH}$	A, B, or C	Y	MAX	4	5.9	7.6	17.5
$t_{PHL}$				4	5.9	7.6	17.5

UNIT : ns

## 2G00

### DUAL 2-INPUT POSITIVE-NAND GATE

$$\bullet Y = \overline{A \cdot B}$$

FUNCTION TABLE  
(each gate)

INPUTS		OUTPUT
A	B	Y
H	H	L
L	X	H
X	L	H

ELECTRICAL CHARACTERISTICS AND RECOMMENDED OPERATING CONDITIONS

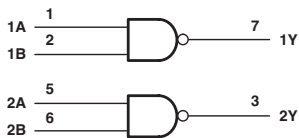
PARAMETER	MAX or MIN	VLC 5V	VLC 3.3V	VLC 2.5V	VLC 1.8V	AUC 2.5V	AUC 1.8V	UNIT
I <sub>CC</sub>	MAX	0.01	0.01	0.01	0.01	0.01	0.01	mA
I <sub>OH</sub>	MAX	-32	-24	-8	-4	-9	-8	mA
I <sub>OL</sub>	MAX	32	24	8	4	9	8	mA

SWITCHING CHARACTERISTICS

PARAMETER	INPUT	OUTPUT	MAX or MIN	VLC 5V	VLC 3.3V	VLC 2.5V	VLC 1.8V	AUC 2.5V	AUC 1.8V
t <sub>PLH</sub>	A or B	Y	MAX	3.3	4.3	4.8	8.6	1.7	2.1
t <sub>PHL</sub>				3.3	4.3	4.8	8.6	1.7	2.1

UNIT:ns

Logic Diagram



## 2G02

### DUAL 2-INPUT POSITIVE-NOR GATE

$$\bullet Y = \overline{A + B}$$

FUNCTION TABLE  
(each gate)

INPUTS		OUTPUT
A	B	Y
H	X	L
X	H	L
L	L	H

ELECTRICAL CHARACTERISTICS AND RECOMMENDED OPERATING CONDITIONS

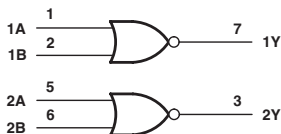
PARAMETER	MAX or MIN	VLC 5V	VLC 3.3V	VLC 2.5V	VLC 1.8V	AUC 2.5V	AUC 1.8V	UNIT
I <sub>CC</sub>	MAX	0.01	0.01	0.01	0.01	0.01	0.01	mA
I <sub>OH</sub>	MAX	-32	-24	-8	-4	-9	-8	mA
I <sub>OL</sub>	MAX	32	24	8	4	9	8	mA

SWITCHING CHARACTERISTICS

PARAMETER	INPUT	OUTPUT	MAX or MIN	VLC 5V	VLC 3.3V	VLC 2.5V	VLC 1.8V	AUC 2.5V	AUC 1.8V
t <sub>PLH</sub>	A or B	Y	MAX	4.4	4.9	5.4	8.9	1.9	2.4
t <sub>PHL</sub>				4.4	4.9	5.4	8.9	1.9	2.4

UNIT:ns

Logic Diagram

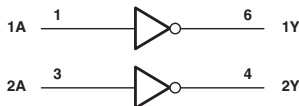


## 2G04

### DUAL INVERTER GATE

$$\bullet Y = \bar{A}$$

Logic Diagram



#### FUNCTION TABLE

(each inverter)

INPUT A	OUTPUT Y
H	L
L	H

#### ELECTRICAL CHARACTERISTICS AND RECOMMENDED OPERATING CONDITIONS

PARAMETER	MAX or MIN	LVC 5V	LVC 3.3V	LVC 2.5V	LVC 1.8V	AUC 2.5V	AUC 1.8V	UNIT
$I_{CC}$	MAX	0.01	0.01	0.01	0.01	0.01	0.01	mA
$I_{OH}$	MAX	-32	-24	-8	-4	-9	-8	mA
$I_{OL}$	MAX	32	24	8	4	9	8	mA

#### SWITCHING CHARACTERISTICS

PARAMETER	INPUT	OUTPUT	MAX or MIN	LVC 5V	LVC 3.3V	LVC 2.5V	LVC 1.8V	AUC 2.5V	AUC 1.8V
$t_{PLH}$	A	Y	MAX	3.2	4.1	4.4	8	1.5	2
$t_{PHL}$				3.2	4.1	4.4	8	1.5	2

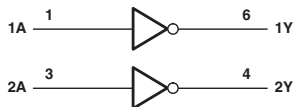
UNIT:ns

## 2GU04

### DUAL INVERTER GATE

$$\bullet Y = \bar{A}$$

Logic Diagram



#### FUNCTION TABLE

(each inverter)

INPUT A	OUTPUT Y
H	L
L	H

#### ELECTRICAL CHARACTERISTICS AND RECOMMENDED OPERATING CONDITIONS

PARAMETER	MAX or MIN	LVC 5V	LVC 3.3V	LVC 2.5V	LVC 1.8V	AUC 2.5V	AUC 1.8V	UNIT
$I_{CC}$	MAX	0.01	0.01	0.01	0.01	0.01	0.01	mA
$I_{OH}$	MAX	-32	-24	-8	-4	-9	-8	mA
$I_{OL}$	MAX	32	24	8	4	9	8	mA

#### SWITCHING CHARACTERISTICS

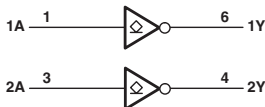
PARAMETER	INPUT	OUTPUT	MAX or MIN	LVC 5V	LVC 3.3V	LVC 2.5V	LVC 1.8V	AUC 2.5V	AUC 1.8V
$t_{PLH}$	A	Y	MAX	3	3.7	4	5.5	2	2.7
$t_{PHL}$				3	3.7	4	5.5	2	2.7

UNIT:ns

## 2G06

### DUAL INVERTER BUFFER/DRIVER WITH OPEN-DRAIN OUTPUTS

Logic Diagram



FUNCTION TABLE  
(each inverter)

INPUT A	OUTPUT Y
H	L
L	H

ELECTRICAL CHARACTERISTICS AND RECOMMENDED OPERATING CONDITIONS

PARAMETER	MAX or MIN	V <sub>CC</sub> 5V	V <sub>CC</sub> 3.3V	V <sub>CC</sub> 2.5V	V <sub>CC</sub> 1.8V	A <sub>UC</sub> 2.5V	A <sub>UC</sub> 1.8V	UNIT
I <sub>CC</sub>	MAX	0.01	0.01	0.01	0.01	0.01	0.01	mA
V <sub>0</sub>	MAX	5.5	5.5	5.5	5.5	3.6	3.6	V
I <sub>OL</sub>	MAX	32	24	8	4	9	8	mA

SWITCHING CHARACTERISTICS

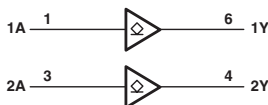
PARAMETER	INPUT	OUTPUT	MAX or MIN	V <sub>CC</sub> 5V	V <sub>CC</sub> 3.3V	V <sub>CC</sub> 2.5V	V <sub>CC</sub> 1.8V	A <sub>UC</sub> 2.5V	A <sub>UC</sub> 1.8V
t <sub>PLH</sub>	A	Y	MAX	2.9	3.4	3.9	7.2	1.2	2.5
				2.9	3.4	3.9	7.2	1.8	2.3

UNIT:ns

## 2G07

### DUAL BUFFER/DRIVER WITH OPEN-DRAIN OUTPUTS

Logic Diagram



FUNCTION TABLE  
(each buffer/deiver)

INPUT A	OUTPUT Y
H	H
L	L

ELECTRICAL CHARACTERISTICS AND RECOMMENDED OPERATING CONDITIONS

PARAMETER	MAX or MIN	V <sub>CC</sub> 5V	V <sub>CC</sub> 3.3V	V <sub>CC</sub> 2.5V	V <sub>CC</sub> 1.8V	A <sub>UC</sub> 2.5V	A <sub>UC</sub> 1.8V	UNIT
I <sub>CC</sub>	MAX	0.01	0.01	0.01	0.01	0.01	0.01	mA
V <sub>0</sub>	MAX	5.5	5.5	5.5	5.5	3.6	3.6	V
I <sub>OL</sub>	MAX	32	24	8	4	9	8	mA

SWITCHING CHARACTERISTICS

PARAMETER	INPUT	OUTPUT	MAX or MIN	V <sub>CC</sub> 5V	V <sub>CC</sub> 3.3V	V <sub>CC</sub> 2.5V	V <sub>CC</sub> 1.8V	A <sub>UC</sub> 2.5V	A <sub>UC</sub> 1.8V
t <sub>PLH</sub>	A	Y	MAX	2.9	3.7	4.4	8.6	1.2	2.5
				2.9	3.7	4.4	8.6	1.8	2.3

UNIT:ns

## 2G08

### DUAL 2-INPUT POSITIVE-AND GATE

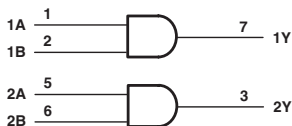
$$\bullet Y = A \cdot B$$

#### FUNCTION TABLE

(each gate)

INPUTS		OUTPUT
A	B	Y
H	H	H
L	X	L
X	L	L

#### Logic Diagram



#### ELECTRICAL CHARACTERISTICS AND RECOMMENDED OPERATING CONDITIONS

PARAMETER	MAX or MIN	LVC 5V	LVC 3.3V	LVC 2.5V	LVC 1.8V	AUC 2.5V	AUC 1.8V	UNIT
I <sub>CC</sub>	MAX	0.01	0.01	0.01	0.01	0.01	0.01	mA
I <sub>OH</sub>	MAX	-32	-24	-8	-4	-9	-8	mA
I <sub>OL</sub>	MAX	32	24	8	4	9	8	mA

#### SWITCHING CHARACTERISTICS

PARAMETER	INPUT	OUTPUT	MAX or MIN	LVC 5V	LVC 3.3V	LVC 2.5V	LVC 1.8V	AUC 2.5V	AUC 1.8V
t <sub>PLH</sub>	A or B	Y	MAX	3.8	4.7	5.1	9	1.6	2.1
t <sub>PHL</sub>				3.8	4.7	5.1	9	1.6	2.1

UNIT:ns

## 2G14

### DUAL SCHMITT-TRIGGER INVERTER

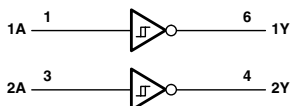
$$\bullet Y = \overline{A}$$

#### FUNCTION TABLE

(each inverter)

INPUT	OUTPUT
A	Y
H	L
L	H

#### Logic Diagram



#### ELECTRICAL CHARACTERISTICS AND RECOMMENDED OPERATING CONDITIONS

PARAMETER	MAX or MIN	LVC 5V	LVC 3.3V	LVC 2.5V	LVC 1.8V	AUC 2.5V	AUC 1.8V	UNIT
I <sub>CC</sub>	MAX	0.01	0.01	0.01	0.01	0.01	0.01	mA
I <sub>OH</sub>	MAX	-32	-24	-8	-4	-9	-8	mA
I <sub>OL</sub>	MAX	32	24	8	4	9	8	mA

#### SWITCHING CHARACTERISTICS

PARAMETER	INPUT	OUTPUT	MAX or MIN	LVC 5V	LVC 3.3V	LVC 2.5V	LVC 1.8V	AUC 2.5V	AUC 1.8V
t <sub>PLH</sub>	A	Y	MAX	4.3	5.4	5.7	9.5	TBD	TBD
t <sub>PHL</sub>				4.3	5.4	5.7	9.5	TBD	TBD

UNIT:ns



## 2G17

### DUAL SCHMITT-TRIGGER BUFFER

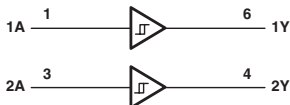
●  $Y = A$

#### FUNCTION TABLE

(each inverter)

INPUT A	OUTPUT Y
H	H
L	L

Logic Diagram



#### ELECTRICAL CHARACTERISTICS AND RECOMMENDED OPERATING CONDITIONS

PARAMETER	MAX or MIN	VLC 5V	VLC 3.3V	VLC 2.5V	VLC 1.8V	UNIT
$I_{CC}$	MAX	0.01	0.01	0.01	0.01	mA
$I_{OH}$	MAX	-32	-24	-8	-4	mA
$I_{OL}$	MAX	32	24	8	4	mA

#### SWITCHING CHARACTERISTICS

PARAMETER	INPUT	OUTPUT	MAX or MIN	VLC 5V	VLC 3.3V	VLC 2.5V	VLC 1.8V
$t_{PLH}$	A	Y	MAX	4.3	5.4	5.7	9.3
$t_{PHL}$				4.3	5.4	5.7	9.3

UNIT:ns

## 2G32

### DUAL 2-INPUT POSITIVE-OR GATE

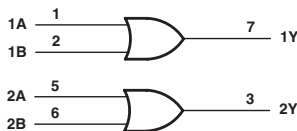
●  $Y = A + B$

#### FUNCTION TABLE

(each gate)

INPUTS		OUTPUT Y
A	B	
H	X	H
X	H	H
L	L	L

Logic Diagram



#### ELECTRICAL CHARACTERISTICS AND RECOMMENDED OPERATING CONDITIONS

PARAMETER	MAX or MIN	VLC 5V	VLC 3.3V	VLC 2.5V	VLC 1.8V	AUC 2.5V	AUC 1.8V	UNIT
$I_{CC}$	MAX	0.01	0.01	0.01	0.01	0.01	0.01	mA
$I_{OH}$	MAX	-32	-24	-8	-4	-9	-8	mA
$I_{OL}$	MAX	32	24	8	4	9	8	mA

#### SWITCHING CHARACTERISTICS

PARAMETER	INPUT	OUTPUT	MAX or MIN	VLC 5V	VLC 3.3V	VLC 2.5V	VLC 1.8V	AUC 2.5V	AUC 1.8V
$t_{PLH}$	A or B	Y	MAX	3.2	3.8	4.4	8	1.7	2.1
$t_{PHL}$				3.2	3.8	4.4	8	1.7	2.1

UNIT:ns

## 2G34

### DUAL BUFFER GATE

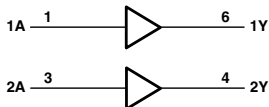
●  $Y = A$

#### FUNCTION TABLE

(each gate)

INPUT A	OUTPUT Y
H	H
L	L

#### Logic Diagram



#### ELECTRICAL CHARACTERISTICS AND RECOMMENDED OPERATING CONDITIONS

PARAMETER	MAX or MIN	LVC 5V	LVC 3.3V	LVC 2.5V	LVC 1.8V	AUC 2.5V	AUC 1.8V	UNIT
$I_{CC}$	MAX	0.01	0.01	0.01	0.01	0.01	0.01	mA
$I_{OH}$	MAX	-32	-24	-8	-4	-9	-8	mA
$I_{OL}$	MAX	32	24	8	4	9	8	mA

#### SWITCHING CHARACTERISTICS

PARAMETER	INPUT	OUTPUT	MAX or MIN	LVC 5V	LVC 3.3V	LVC 2.5V	LVC 1.8V	AUC 2.5V	AUC 1.8V
$t_{PLH}$	A	Y	MAX	3.2	4.1	4.4	8.6	1.8	2.4
$t_{PHL}$				3.2	4.1	4.4	8.6	1.8	2.4

UNIT: ns

## 2G38

### SINGLE 2-INPUT NAND GATE WITH OPEN-DRAIN OUTPUT

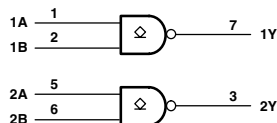
●  $Y = \overline{A \cdot B}$  or  $Y = \overline{A} + \overline{B}$

#### FUNCTION TABLE

(each gate)

INPUTS		OUTPUT Y
A	B	
L	L	H
L	H	H
H	L	H
H	H	L

#### Logic Diagram



#### ELECTRICAL CHARACTERISTICS AND RECOMMENDED OPERATING CONDITIONS

PARAMETER	MAX or MIN	LVC 5V	LVC 3.3V	LVC 2.5V	LVC 1.8V	UNIT
$I_{CC}$	MAX	0.01	0.01	0.01	0.01	mA
$V_{OD}$	MAX	5.5	5.5	5.5	5.5	mA
$I_{OL}$	MAX	32	24	8	4	mA

#### SWITCHING CHARACTERISTICS

PARAMETER	INPUT	OUTPUT	MAX or MIN	LVC 5V	LVC 3.3V	LVC 2.5V	LVC 1.8V
$t_{PLH}$	A or B	Y	MAX	3.9	4.5	6	10
$t_{PHL}$				3.9	4.5	6	10

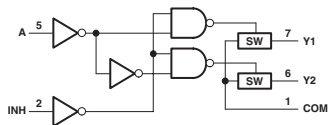
UNIT: ns

## 2G53

### SINGLE-POLE DOUBLE-THROW (SPDT) ANALOG SWITCH 2:1 ANALOG MULTIPLEXER/DEMULTIPLEXER

- High On-Off Outputs Voltage Ratio
- High Degree of Linearity

#### Logic Diagram



#### FUNCTION TABLE

CONTROL INPUTS		ON CHANNEL
INH	A	
L	L	Y1
L	H	Y2
H	X	None

#### ELECTRICAL CHARACTERISTICS AND RECOMMENDED OPERATING CONDITIONS

PARAMETER	MAX or MIN	VLC 5V	VLC 3.3V	VLC 2.5V	VLC 1.8V	AUC 2.5V	AUC 1.8V	UNIT
I <sub>CC</sub>	MAX	0.001	0.001	0.001	0.001	0.01	0.01	mA
R <sub>ON</sub>	MAX	13	17	20	30	15	20	mΩ
R <sub>ON(P)</sub>	MAX	15	20	30	120	20	80	mΩ

#### SWITCHING CHARACTERISTICS

PARAMETER	INPUT	OUTPUT	MAX or MIN	VLC 5V	VLC 3.3V	VLC 2.5V	VLC 1.8V	AUC 2.5V	AUC 1.8V
t <sub>PLH</sub>	COM or Y	Y or COM	MAX	0.6	0.8	1.2	2	0.2	0.4
				0.6	0.8	1.2	2	0.2	0.4
t <sub>PZH</sub>	INH	COM or Y	MAX	4.5	5.4	6.1	9	2.2	3.1
				4.5	5.4	6.1	9	2.2	3.1
t <sub>PZL</sub>	INH	COM or Y	MAX	8	8.1	8.3	10.9	2.2	3.4
				8	8.1	8.3	10.9	2.2	3.4
t <sub>PHZ</sub>	A	COM or Y	MAX	5.4	5.8	7.2	10.3	2.2	3.0
				5.4	5.8	7.2	10.3	2.2	3.0
t <sub>PHZ</sub>	A	COM or Y	MAX	5	7.2	7.9	9.4	2.3	3.0
				5	7.2	7.9	9.4	2.3	3.0
t <sub>PLZ</sub>	A	COM or Y	MAX	5	7.2	7.9	9.4	2.3	3.0
				5	7.2	7.9	9.4	2.3	3.0

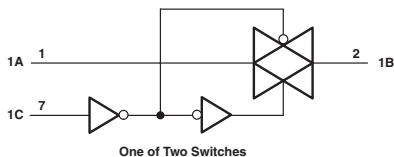
UNIT:ns

## 2G66

### DUAL BILATERAL ANALOG SWITCH

- High On-Off Outputs Voltage Ratio
- High Degree of Linearity
- Rail-to-Rail Input/Output

#### Logic Diagram, each switch



One of Two Switches

#### FUNCTION TABLE

(each section)

CONTROL INPUT (C)	SWITCH
L	OFF
H	ON

#### ELECTRICAL CHARACTERISTICS AND RECOMMENDED OPERATING CONDITIONS

PARAMETER	MAX or MIN	VLC 5V	VLC 3.3V	VLC 2.5V	VLC 1.8V	AUC 2.5V	AUC 1.8V	UNIT
I <sub>CC</sub>	MAX	0.01	0.01	0.01	0.01	0.01	0.01	mA
R <sub>ON</sub>	MAX	10	15	20	30	15	20	mΩ
R <sub>ON(P)</sub>	MAX	15	20	30	120	20	80	mΩ

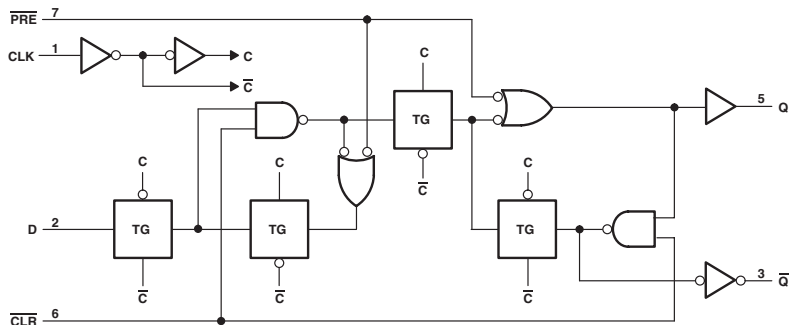
#### SWITCHING CHARACTERISTICS

PARAMETER	INPUT	OUTPUT	MAX or MIN	VLC 5V	VLC 3.3V	VLC 2.5V	VLC 1.8V	AUC 2.5V	AUC 1.8V
t <sub>PLH</sub>	A or B	B or A	MAX	0.6	0.8	1.2	2	0.7	0.7
				0.6	0.8	1.2	2	0.7	0.7
t <sub>PZH</sub>	C	A or B	MAX	3.9	4.4	5.6	10	2.3	2.7
				3.9	4.4	5.6	10	2.3	2.7
t <sub>PHZ</sub>	C	A or B	MAX	6.3	7.2	6.9	10.5	2	3.4
				6.3	7.2	6.9	10.5	2	3.4
t <sub>PLZ</sub>	C	A or B	MAX	6.3	7.2	6.9	10.5	2	3.4
				6.3	7.2	6.9	10.5	2	3.4

UNIT:ns

## SINGLE POSITIVE-EDGE-TRIGGERED D-TYPE FLIP-FLOP WITH CLEAR AND PRESET

Logic Diagram



FUNCTION TABLE

INPUTS				OUTPUTS	
PRE	CLR	CLK	D	Q	$\bar{Q}$
L	H	X	X	H	L
H	L	X	X	L	H
L	L	X	X	H <sup>†</sup>	H <sup>†</sup>
H	H	↑	H	H	L
H	H	↑	L	L	H
H	H	L	X	Q <sub>0</sub>	$\bar{Q}_0$

<sup>†</sup> This configuration is nonstable; that is, it does not persist when PRE or CLR returns to its inactive (high) level.

## ELECTRICAL CHARACTERISTICS AND RECOMMENDED OPERATING CONDITIONS

PARAMETER	MAX or MIN	LVC 5V	LVC 3.3V	LVC 2.5V	LVC 1.8V	UNIT
I <sub>CC</sub>	MAX	0.01	0.01	0.01	0.01	mA
I <sub>OH</sub>	MAX	-32	-16	-8	-4	mA
I <sub>OL</sub>	MAX	32	16	8	4	mA

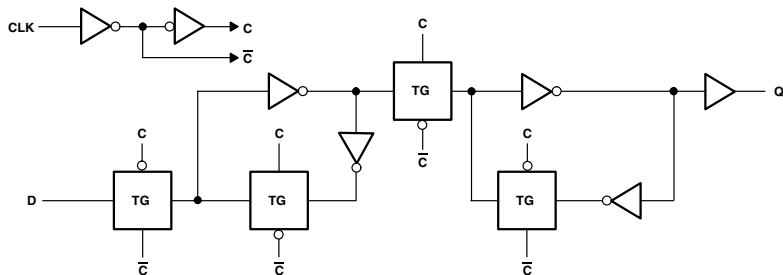
## TIMING REQUIREMENTS AND SWITCHING CHARACTERISTICS

PARAMETER	INPUT	OUTPUT	MAX or MIN	LVC 5V	LVC 3.3V	LVC 2.5V	LVC 1.8V
f <sub>max</sub>			MIN	200	175	175	80
t <sub>w</sub>	CLK		MIN	2	2.7	2.7	6.2
	PRE or CLR low			2	2.7	2.7	6.2
t <sub>su</sub>	Data		MIN	1.1	1.3	1.7	2.9
	PRE or CLR inactive			1	1.2	1.4	1.9
t <sub>h</sub>			MIN	0.5	1.2	0.3	0
t <sub>PLH</sub>	CLK	Q	MAX	4.1	5.9	7.1	13.4
		$\bar{Q}$		4.1	5.9	7.1	13.4
t <sub>PHL</sub>	CLK	Q	MAX	4.4	6.2	7.7	14.4
		$\bar{Q}$		4.4	6.2	7.7	14.4
t <sub>PLH</sub>	PRE or CLR	Q or $\bar{Q}$	MAX	4.1	5.9	7	12.9
				4.1	5.9	7	12.9

UNIT:ns

## DUAL POSITIVE-EDGE-TRIGGERED D-TYPE FLIP-FLOP

Logic Diagram



FUNCTION TABLE

INPUTS		OUTPUT
CLK	D	Q
↑	H	H
↑	L	L
L	X	Q <sub>0</sub>

ELECTRICAL CHARACTERISTICS AND RECOMMENDED OPERATING CONDITIONS

PARAMETER	MAX or MIN	VLC 5V	VLC 3.3V	VLC 2.5V	VLC 1.8V	AUC 2.5V	AUC 1.8V	UNIT
I <sub>CC</sub>	MAX	0.005	0.005	0.005	0.005	0.01	0.01	mA
I <sub>OH</sub>	MAX	-32	-24	-8	-4	-9	-8	mA
I <sub>OL</sub>	MAX	32	24	8	4	9	8	mA

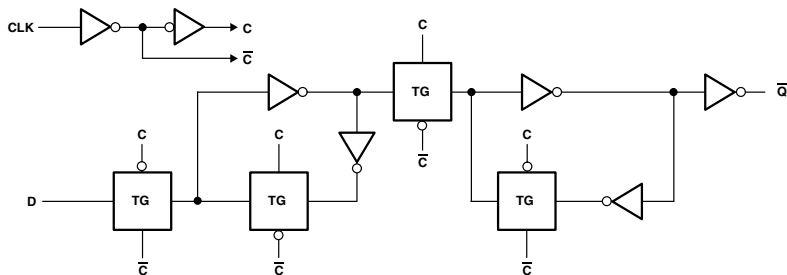
TIMING REQUIREMENTS AND SWITCHING CHARACTERISTICS

PARAMETER	INPUT	OUTPUT	MAX or MIN	VLC 5V	VLC 3.3V	VLC 2.5V	VLC 1.8V	AUC 2.5V	AUC 1.8V
f <sub>max</sub>			MIN	160	160	160	160	275	250
t <sub>w</sub>	CLK high or low		MIN	2.5	2.5	2.5	2.5	1	1
t <sub>su</sub>	Before CLK ↑, Data high		MIN	0.9	1.1	1.4	2.2	0.5	0.6
	Before CLK ↓, Data low			0.9	1.1	1.4	2.2	0.5	0.6
t <sub>h</sub>	Data after CLK ↑		MIN	0.5	0.7	0.8	1.4	0.1	0.1
I <sub>PLH</sub>	CLK	Q	MAX	4.5	5.2	7.0	9.9	1.8	2.4
				4.5	5.2	7.0	9.9	1.8	2.4

UNIT f<sub>max</sub>: MHz other: ns

## DUAL POSITIVE-EDGE-TRIGGERED D-TYPE FLIP-FLOP

Logic Diagram


**FUNCTION TABLE**  
 (each flip-flop)

INPUTS		OUTPUT
CLK	D	Q
↑	H	L
↑	L	H
L	X	Q <sub>0</sub>

ELECTRICAL CHARACTERISTICS AND RECOMMENDED OPERATING CONDITIONS

PARAMETER	MAX or MIN	LVC 5V	LVC 3.3V	LVC 2.5V	LVC 1.8V	AUC 2.5V	AUC 1.8V	UNIT
I <sub>CC</sub>	MAX	0.005	0.005	0.005	0.005	0.01	0.01	mA
I <sub>OH</sub>	MAX	-32	-24	-8	-4	-9	-8	mA
I <sub>OL</sub>	MAX	32	24	8	4	9	8	mA

TIMING REQUIREMENTS AND SWITCHING CHARACTERISTICS

PARAMETER	INPUT	OUTPUT	MAX or MIN	LVC 5V	LVC 3.3V	LVC 2.5V	LVC 1.8V	AUC 2.5V	AUC 1.8V
f <sub>max</sub>			MIN	160	160	160	160	275	250
t <sub>w</sub>	CLK high or low		MIN	2.5	2.5	2.5	2.5	1	1
t <sub>su</sub>	Before CLK ↑, Data high		MIN	0.9	1.1	1.4	2.2	0.5	0.6
	Before CLK ↑, Data low			0.9	1.1	1.4	2.2	0.5	0.6
t <sub>h</sub>	Data after CLK ↑		MIN	0.6	0.8	1.0	1.6	0.5	0.1
t <sub>PLH</sub>	CLK	Q	MAX	4.5	5.2	7.0	13.9	1.8	2.4
t <sub>PHL</sub>				4.5	5.2	7.0	13.9	1.8	2.4

UNIT f<sub>max</sub>: MHz other: ns

## 2G86

### DUAL 2-INPUT EXCLUSIVE-OR GATE

$$\bullet Y = A \oplus B$$

#### FUNCTION TABLE

(each gate)

INPUTS		OUTPUT
A	B	Y
L	L	L
L	H	H
H	L	H
H	H	L

#### ELECTRICAL CHARACTERISTICS AND RECOMMENDED OPERATING CONDITIONS

PARAMETER	MAX or MIN	VLC 5V	VLC 3.3V	VLC 2.5V	VLC 1.8V	AUC 2.5V	AUC 1.8V	UNIT
$I_{CC}$	MAX	0.01	0.01	0.01	0.01	0.01	0.01	mA
$I_{OH}$	MAX	-32	-24	-8	-4	-9	-8	mA
$I_{OL}$	MAX	32	24	8	4	9	8	mA

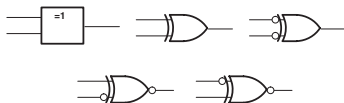
#### SWITCHING CHARACTERISTICS

PARAMETER	INPUT	OUTPUT	MAX or MIN	VLC 5V	VLC 3.3V	VLC 2.5V	VLC 1.8V	AUC 2.5V	AUC 1.8V
$t_{PLH}$	A or B	Y	MAX	3.6	4.7	5.7	9.9	2.0	2.6
$t_{PHL}$				3.6	4.7	5.7	9.9	2.0	2.6

UNIT:ns

#### Logic Diagram

EXCLUSIVE OR



An exclusive-OR gate has many applications, some of which can be represented better by alternative logic symbols.

## 2G125

### DUAL BUS BUFFER GATE WITH 3-STATE OUTPUTS

#### FUNCTION TABLE

(each buffer)

INPUTS		OUTPUT
$\overline{OE}$	A	Y
L	H	H
L	L	L
H	X	Z

#### ELECTRICAL CHARACTERISTICS AND RECOMMENDED OPERATING CONDITIONS

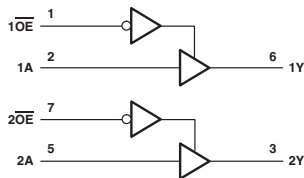
PARAMETER	MAX or MIN	VLC 5V	VLC 3.3V	VLC 2.5V	VLC 1.8V	AUC 2.5V	AUC 1.8V	UNIT
$I_{CC}$	MAX	0.01	0.01	0.01	0.01	0.01	0.01	mA
$I_{OH}$	MAX	-32	-24	-8	-4	-9	-8	mA
$I_{OL}$	MAX	32	24	8	4	9	8	mA

#### SWITCHING CHARACTERISTICS

PARAMETER	INPUT	OUTPUT	MAX or MIN	VLC 5V	VLC 3.3V	VLC 2.5V	VLC 1.8V	AUC 2.5V	AUC 1.8V
$t_{PLH}$	A	Y	MAX	3.7	4.3	4.8	9.1	1.8	2.6
$t_{PHL}$				3.7	4.3	4.8	9.1	1.8	2.6
$t_{PZH}$	$\overline{OE}$	Y	MAX	3.8	4.7	5.6	9.9	2.2	2.9
$t_{PZL}$				3.8	4.7	5.6	9.9	2.2	2.9
$t_{PHZ}$	$\overline{OE}$	Y	MAX	3.4	4.6	5.8	11.6	2	3.6
$t_{PLZ}$				3.4	4.6	5.8	11.6	2	3.6

UNIT:ns

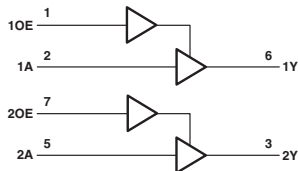
#### Logic Diagram



## 2G126

### DUAL BUS BUFFER GATE WITH 3-STATE OUTPUTS

#### Logic Diagram



**FUNCTION TABLE**  
(each buffer)

INPUTS		OUTPUT
OE	A	Y
H	H	H
H	L	L
L	X	Z

ELECTRICAL CHARACTERISTICS AND RECOMMENDED OPERATING CONDITIONS

PARAMETER	MAX or MIN	VLC 5V	VLC 3.3V	VLC 2.5V	VLC 1.8V	AUC 2.5V	AUC 1.8V	UNIT
I <sub>CC</sub>	MAX	0.01	0.01	0.01	0.01	0.01	0.01	mA
I <sub>OH</sub>	MAX	-32	-24	-8	-4	-9	-8	mA
I <sub>OL</sub>	MAX	32	24	8	4	9	8	mA

SWITCHING CHARACTERISTICS

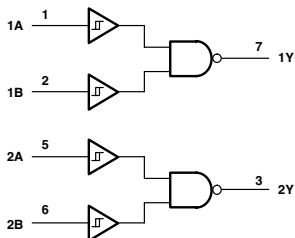
PARAMETER	INPUT	OUTPUT	MAX or MIN	VLC 5V	VLC 3.3V	VLC 2.5V	VLC 1.8V	AUC 2.5V	AUC 1.8V
t <sub>PLH</sub>	A	Y	MAX	3.2	4	4.9	9.8	1.8	2.3
				3.2	4	4.9	9.8	1.8	2.3
t <sub>PZH</sub>	OE	Y	MAX	3.1	4.1	5	10	2.2	2.4
				3.1	4.1	5	10	2.2	2.4
t <sub>PHZ</sub>	OE	Y	MAX	3.3	4.4	5.7	12.6	1.8	3.3
				3.3	4.4	5.7	12.6	1.8	3.3

UNIT: ns

## 2G132

### DUAL 2-INPUT NAND GATE WITH SCHMITT-TRIGGER INPUT

#### Logic Diagram



$$\bullet Y = \overline{A \cdot B} \text{ or } Y = \overline{\overline{A} + \overline{B}}$$

**FUNCTION TABLE**  
(each gate)

INPUTS		OUTPUT
A	B	Y
L	L	H
L	H	H
H	L	H
H	H	L

ELECTRICAL CHARACTERISTICS AND RECOMMENDED OPERATING CONDITIONS

PARAMETER	MAX or MIN	VLC 5V	VLC 3.3V	VLC 2.5V	VLC 1.8V	UNIT
I <sub>CC</sub>	MAX	0.01	0.01	0.01	0.01	mA
I <sub>OH</sub>	MAX	-32	-24	-8	-4	mA
I <sub>OL</sub>	MAX	32	24	8	4	mA

SWITCHING CHARACTERISTICS

PARAMETER	INPUT	OUTPUT	MAX or MIN	VLC 5V	VLC 3.3V	VLC 2.5V	VLC 1.8V
t <sub>PLH</sub>	A or B	Y	MAX	5	6	7.5	16
				5	6	7.5	16

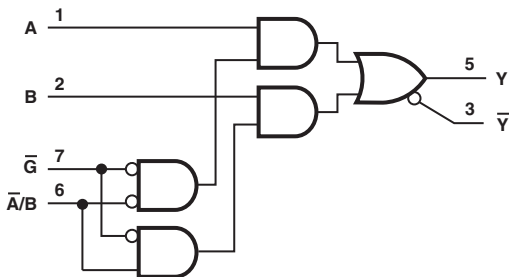
UNIT: ns



# 2G157

## SINGLE 2-LINE TO 1-LINE DATA SELECTOR/MULTIPLEXER

Logic Diagram



FUNCTION TABLE

INPUTS				OUTPUTS	
G	A/B	A	B	Y	Y
H	X	X	X	L	L
L	L	L	X	L	H
L	L	H	X	H	L
L	H	X	L	L	H
L	H	X	H	H	L

ELECTRICAL CHARACTERISTICS AND RECOMMENDED OPERATING CONDITIONS

PARAMETER	MAX or MIN	VLC 5V	VLC 3.3V	VLC 2.5V	VLC 1.8V	UNIT
I <sub>cc</sub>	MAX	0.01	0.01	0.01	0.01	mA
I <sub>oh</sub>	MAX	-32	-24	-8	-4	mA
I <sub>ol</sub>	MAX	32	24	8	4	mA

SWITCHING CHARACTERISTICS

PARAMETER	INPUT	OUTPUT	MAX or MIN	VLC 5V	VLC 3.3V	VLC 2.5V	VLC 1.8V
t <sub>PLH</sub>	A or B	Y or Y	MAX	4	6	8	14
t <sub>PHL</sub>				4	6	8	14
t <sub>PLH</sub>	A-bar/B	Y or Y	MAX	4	6	9	16
t <sub>PHL</sub>				4	6	9	16
t <sub>PLH</sub>	G	Y or Y	MAX	4	6	8	14
t <sub>PHL</sub>				4	6	8	14

UNIT:ns

## 2G240

### DUAL BUFFERS/DRIVERS WITH 3-STATE OUTPUTS

**FUNCTION TABLE**  
(each buffer)

INPUTS		OUTPUT
OE	A	Y
L	H	H
L	L	H
H	X	Z

ELECTRICAL CHARACTERISTICS AND RECOMMENDED OPERATING CONDITIONS

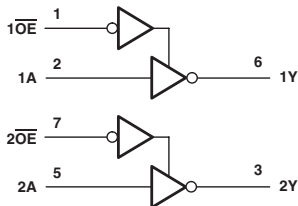
PARAMETER	MAX or MIN	VLC 5V	VLC 3.3V	VLC 2.5V	VLC 1.8V	AUC 2.5V	AUC 1.8V	UNIT
I <sub>CC</sub>	MAX	0.01	0.01	0.01	0.01	0.01	0.01	mA
I <sub>OH</sub>	MAX	-32	-24	-8	-4	-9	-8	mA
I <sub>OL</sub>	MAX	32	24	8	4	9	8	mA

SWITCHING CHARACTERISTICS

PARAMETER	INPUT	OUTPUT	MAX or MIN	VLC 5V	VLC 3.3V	VLC 2.5V	VLC 1.8V	AUC 2.5V	AUC 1.8V
t <sub>PLH</sub>	A	Y	MAX	4	4.6	5.5	11.3	1.7	2.5
				4	4.6	5.5	11.3	1.7	2.5
t <sub>PZH</sub>	OE	Y	MAX	5	5.4	6.6	11.7	2.1	3.1
				5	5.4	6.6	11.7	2.1	3.1
t <sub>PLZ</sub>	OE	Y	MAX	4.2	5.5	5.7	12.8	1.9	3.7
				4.2	5.5	5.7	12.8	1.9	3.7

UNIT:ns

Logic Diagram



## 2G241

### DUAL BUFFER/DRIVER WITH 3-STATE OUTPUTS

**FUNCTION TABLE**

INPUTS		OUTPUT	INPUTS		OUTPUT
1OE	1A	1Y	2OE	2A	2Y
L	H	H	H	H	H
L	L	L	H	L	L
H	X	Z	L	X	Z

ELECTRICAL CHARACTERISTICS AND RECOMMENDED OPERATING CONDITIONS

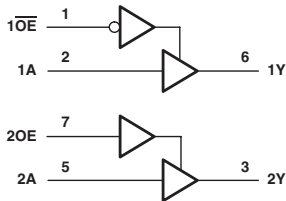
PARAMETER	MAX or MIN	VLC 5V	VLC 3.3V	VLC 2.5V	VLC 1.8V	AUC 2.5V	AUC 1.8V	UNIT
I <sub>CC</sub>	MAX	0.01	0.01	0.01	0.01	0.01	0.01	mA
I <sub>OH</sub>	MAX	-32	-24	-8	-4	-9	-8	mA
I <sub>OL</sub>	MAX	32	24	8	4	9	8	mA

SWITCHING CHARACTERISTICS

PARAMETER	INPUT	OUTPUT	MAX or MIN	VLC 5V	VLC 3.3V	VLC 2.5V	VLC 1.8V	AUC 2.5V	AUC 1.8V
t <sub>PLH</sub>	A	Y	MAX	3.7	4.3	4.8	8.8	1.8	2.5
				3.7	4.3	4.8	8.8	1.8	2.5
t <sub>PZH</sub>	OE	Y	MAX	3.8	4.7	5.6	9.9	2	2.8
				3.8	4.7	5.6	9.9	2	2.8
t <sub>PLZ</sub>	OE	Y	MAX	3.4	4.4	5.8	11.6	2.1	3.6
				3.4	4.4	5.8	11.6	2.1	3.6
t <sub>PZH</sub>	OE	Y	MAX	3.3	4.1	4.7	8.8	2	2.8
				3.3	4.1	4.7	8.8	2	2.8
t <sub>PLZ</sub>	OE	Y	MAX	3.3	4.2	5.2	12.5	2.1	8.6
				3.3	4.2	5.2	12.5	2.1	8.6

UNIT:ns

Logic Diagram



## 3G04

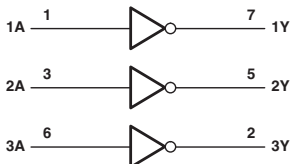
### TRIPLE INVERTER GATE

$$\bullet Y = \bar{A}$$

FUNCTION TABLE  
(each inverter)

INPUT A	OUTPUT Y
H	L
L	H

Logic Diagram



ELECTRICAL CHARACTERISTICS AND RECOMMENDED OPERATING CONDITIONS

PARAMETER	MAX or MIN	VLC 5V	VLC 3.3V	VLC 2.5V	VLC 1.8V	UNIT
$I_{CC}$	MAX	0.01	0.01	0.01	0.01	mA
$I_{OH}$	MAX	-32	-24	-8	-4	mA
$I_{OL}$	MAX	32	24	8	4	mA

SWITCHING CHARACTERISTICS

PARAMETER	INPUT	OUTPUT	MAX or MIN	VLC 5V	VLC 3.3V	VLC 2.5V	VLC 1.8V
$t_{PLH}$	A	Y	MAX	3.2	4.1	4.4	7.9
$t_{PHL}$				3.2	4.1	4.4	7.9

UNIT: ns

## 3GU04

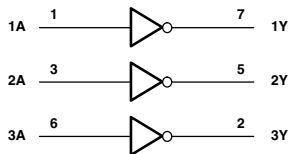
### TRIPLE INVERTER GATE

$$\bullet Y = \bar{A}$$

FUNCTION TABLE  
(each inverter)

INPUT A	OUTPUT Y
H	L
L	H

Logic Diagram



ELECTRICAL CHARACTERISTICS AND RECOMMENDED OPERATING CONDITIONS

PARAMETER	MAX or MIN	VLC 5V	VLC 3.3V	VLC 2.5V	VLC 1.8V	UNIT
$I_{CC}$	MAX	0.01	0.01	0.01	0.01	mA
$I_{OH}$	MAX	-32	-24	-8	-4	mA
$I_{OL}$	MAX	32	24	8	4	mA

SWITCHING CHARACTERISTICS

PARAMETER	INPUT	OUTPUT	MAX or MIN	VLC 5V	VLC 3.3V	VLC 2.5V	VLC 1.8V
$t_{PLH}$	A	Y	MAX	3.2	3.9	4	9.2
$t_{PHL}$				3.2	3.9	4	9.2

UNIT: ns

## 3G06

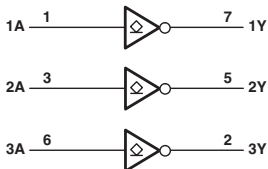
### TRIPLE INVERTER BUFFER/DRIVER WITH OPEN-DRAIN OUTPUTS

#### FUNCTION TABLE

(each inverter)

INPUT A	OUTPUT Y
H	L
L	H

#### Logic Diagram



#### ELECTRICAL CHARACTERISTICS AND RECOMMENDED OPERATING CONDITIONS

PARAMETER	MAX or MIN	LVC 5V	LVC 3.3V	LVC 2.5V	LVC 1.8V	UNIT
I <sub>CC</sub>	MAX	0.01	0.01	0.01	0.01	mA
V <sub>O</sub>	MAX	5.5	5.5	5.5	5.5	mA
I <sub>OL</sub>	MAX	32	24	8	4	mA

#### SWITCHING CHARACTERISTICS

PARAMETER	INPUT	OUTPUT	MAX or MIN	LVC 5V	LVC 3.3V	LVC 2.5V	LVC 1.8V
t <sub>PLH</sub>	A	Y	MAX	2.9	3.4	3.9	7.2
t <sub>PHL</sub>				2.9	3.4	3.9	7.2

UNIT:ns

## 3G07

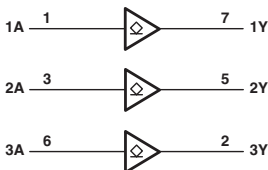
### TRIPLE BUFFER/DRIVER WITH OPEN-DRAIN OUTPUTS

#### FUNCTION TABLE

(each buffer/driver)

INPUT A	OUTPUT Y
H	H
L	L

#### Logic Diagram



#### ELECTRICAL CHARACTERISTICS AND RECOMMENDED OPERATING CONDITIONS

PARAMETER	MAX or MIN	LVC 5V	LVC 3.3V	LVC 2.5V	LVC 1.8V	UNIT
I <sub>CC</sub>	MAX	0.01	0.01	0.01	0.01	mA
V <sub>O</sub>	MAX	5.5	5.5	5.5	5.5	mA
I <sub>OL</sub>	MAX	32	24	8	4	mA

#### SWITCHING CHARACTERISTICS

PARAMETER	INPUT	OUTPUT	MAX or MIN	LVC 5V	LVC 3.3V	LVC 2.5V	LVC 1.8V
t <sub>PLH</sub>	A	Y	MAX	2.9	3.7	4.3	7.8
t <sub>PHL</sub>				2.9	3.7	4.3	7.8

UNIT:ns

## 3G14

### TRIPLE SCHMITT-TRIGGER INVERTER

$$\bullet Y = \bar{A}$$

FUNCTION TABLE  
(each inverter)

INPUT A	OUTPUT Y
H	L
L	H

ELECTRICAL CHARACTERISTICS AND RECOMMENDED OPERATING CONDITIONS

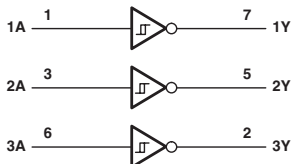
PARAMETER	MAX or MIN	VLC 5V	VLC 3.3V	VLC 2.5V	VLC 1.8V	UNIT
$I_{CC}$	MAX	0.01	0.01	0.01	0.01	mA
$I_{OH}$	MAX	-32	-24	-8	-4	mA
$I_{OL}$	MAX	32	24	8	4	mA

SWITCHING CHARACTERISTICS

PARAMETER	INPUT	OUTPUT	MAX or MIN	VLC 5V	VLC 3.3V	VLC 2.5V	VLC 1.8V
$t_{PLH}$	A	Y	MAX	4.3	5.4	5.7	9.2
$t_{PHL}$				4.3	5.4	5.7	9.2

UNIT:ns

Logic Diagram



## 3G17

### TRIPLE SCHMITT-TRIGGER BUFFER

$$\bullet Y = A$$

FUNCTION TABLE

INPUT A	OUTPUT Y
H	H
L	L

ELECTRICAL CHARACTERISTICS AND RECOMMENDED OPERATING CONDITIONS

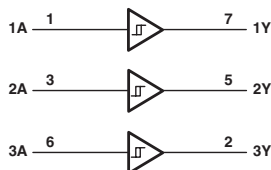
PARAMETER	MAX or MIN	VLC 5V	VLC 3.3V	VLC 2.5V	VLC 1.8V	UNIT
$I_{CC}$	MAX	0.01	0.01	0.01	0.01	mA
$I_{OH}$	MAX	-32	-24	-8	-4	mA
$I_{OL}$	MAX	32	24	8	4	mA

SWITCHING CHARACTERISTICS

PARAMETER	INPUT	OUTPUT	MAX or MIN	VLC 5V	VLC 3.3V	VLC 2.5V	VLC 1.8V
$t_{PLH}$	A	Y	MAX	4.1	5.4	6.2	9.2
$t_{PHL}$				4.1	5.4	6.2	9.2

UNIT:ns

Logic Diagram



# 3G34

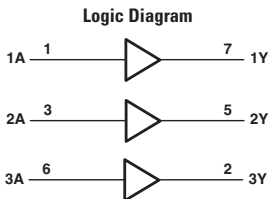
## TRIPLE BUFFER GATE

●  $Y = A$

### FUNCTION TABLE

(each gate)

INPUT	OUTPUT
A	Y
H	H
L	L



### ELECTRICAL CHARACTERISTICS AND RECOMMENDED OPERATING CONDITIONS

PARAMETER	MAX or MIN	LVC 5V	LVC 3.3V	LVC 2.5V	LVC 1.8V	UNIT
$I_{CC}$	MAX	0.01	0.01	0.01	0.01	mA
$I_{OH}$	MAX	-32	-24	-8	-4	mA
$I_{OL}$	MAX	32	24	8	4	mA

### SWITCHING CHARACTERISTICS

PARAMETER	INPUT	OUTPUT	MAX or MIN	LVC 5V	LVC 3.3V	LVC 2.5V	LVC 1.8V
$t_{PLH}$	A	Y	MAX	3.2	4.1	4.4	7.9
$t_{PHL}$				3.2	4.1	4.4	7.9

UNIT:ns



# **FUNCTION**

**Standard**











**BUFFER / DRIVER (INVERTING, INVERTING AND NON-INVERTING, ADDRESS DRIVERS)**

Description	No. of Output	Output	Device	Technology																						
				Bipolar				CMOS		BICMOS				Advanced CMOS												
				TTL	LS	S	ALS	AS	F	HC	HCT	BCT	ABT	LVT	ALVT	AC	ACT	AHC	AHCT	LV	LV-AT	LVC	ALVC	AVC	AUC	
INVERTING	6	3S	366	X	X						X/●															
		3S	368	X	A	●	A					●/●	-/●													
		3S	436			X																				
		3S	437	X																						
		3S	231				X	X																		
		3S	240		●	●	●	●	A	●	●	●	●	●	●	●	●	●	●	●	●	●	●	●	●	●
	3S	456								X/-																
	3S	466		X		X																				
	3S	468		X		X																				
	3S	540		●		●	1		X	●/●	●/●	●/●	●/●	●/●	●/●	●/●	●/●	●/●	●/●	●/●	●/●	●/●	●/●	●/●	●/●	
	3S	655												X/-	X/-											
	3S	746				X																				
	OC	756			X		●			●/●																
	OC	763				X																				
	3S	1240				X					●/●	●/●														
	R3S	2240				X																				
	R3S	2540				X																				
	3S	25240									X/-															
	OC	25756									X/-															
	3S	828												X/-	X/-								●/●			
	R3S	2828									X/-															
	3S	29828									X/B/-															
	11	R3S	5401									●														
	12	R3S	5403									●														
	16	3S	16240								●/●	●/●	●/●	●/●	X	●/●	●/●	●/●	●/●	●/●	●/●	●/●	●/●	●/●	●/●	●/●
		3S	16540								●/●	●/●	●/●	●/●			X	●/●	●/●	●/●	●/●	●/●	●/●	●/●	●/●	
		R3S	162240									●/●													-	
		R3S	162540																						X	
		20	3S	16828													X								X	
	32	3S	32240																				Z●/●			
	INVERTING AND NON-INVERTING	8	3S	230				X	X																	
			OC	762					X																	
ADDRESS DRIVERS	1-2	3S	16830																					H*		
		R3S	162830																					H●		
	1-4	3S	16344																						H●	
		3S	16831																						H●	
		3S	16832																						H●	
		R3S	162344																						H●	
		R3S	162831																						●	
		R3S	162832																						H●	

Explanatory notes [Output] 3S: 3-State Output R3S: Series Resistor and 3-State Output OC: Open-Collector Output

Status ●: Product available in technology indicated \* : New product planned in technology indicated

X: Discontinued ■: Not recommended for new designs

HC: SN74HCxx / CD74HCxx

HCT: SN74HCTxx / CD74HCTxx

BCT: SN74BCTxx / SN64BCTxx

AC: 74AC11xxx (Product available in reduced-noise advanced CMOS: 11000 Series) / SN74ACxx / CD74ACxx

ACT: 74ACT11xxx (Product available in reduced-noise advanced CMOS: 11000 Series) / SN74ACTxx / CD74ACTxx

**BUS TRANSCEIVER (NON-INVERTING)**

Description	No. of Output	Output	Device	Technology																					
				Bipolar				CMOS				BICMOS				Advanced CMOS									
				TTL	LS	S	ALS	AS	F	HC	HCT	BCT	ABT	LVT	ALVT	AC	ACT	AHC	AHCT	LV	LV-AT	LVC	ALVC	AVC	AUC
4	3S	226			X																				
	3S	440	X																						
	OC	441	X																						
	3S	442	●																						
	3S	443	X																						
	3S	444	X																						
	OC	448	X																						
	3S	449	X																						
	3S	243	●	●A	X	X	-	●	-	●															
	3S	1243																							
NON-INVERTING	3S	245	●	●A	●A1	●	●	●	●	●	●	●	●	●B	●B	●HA	●	●	●	●	●A	●	●	●	●
	3S	470															X/H	X/H					●A	●HA	●Z
	3S	472															X/H	X/H							
	3S	474															X/H	X/H							
	3S	543				●				●-	●A	●H					X/H	●-				●A			
	OC	615			X																				
	OC	621	X	●A	●A1	X	X																		
	3S	623	●	●A	●A1	X	X	●-	●-	●-	●						X/H	●-	●						
	3SIOC	639	●	●A	●A1	X																			
	OC	641	●	●A	●A1	●																			
	3S	645	●	●A	●A1	●	●-	●-																	
	3S	646	●	●A	●A1	●	●	●	●	●	●	●	●	●	●A	●H		X/H	X/H	●			●A		
	OC	647	X																						
	3S	652	●	●A	●A1	●	●	●	●	●	●	●	●	●A	●H		X/H	●-	●				●A		
	3SIOC	654	X	●																					
	3S	657					●											X/H	X/H						
	3S	659						X/-	X/-	X/-															
	3S	665						X/-	X/-																
	3S	852					X											X/H	X/H						
	3S	856					X											X/H	X/H						
	3S	877					X											X/H	X/H						
	3S	999																							
	3S	1245				●A																			
	3S	1645				●A																			
	3S	2245									●-	●R	●H										●A		
	3S	2623				X																			
	3S	2645				X																			
	3S	2952																X/-	●A	●H			●A		
	3S	25245																X/-	●H						
	3S	25543																X/-							
	3SIOC	29833				X												X/-							
	3SIOC	29853				X												X/-							
	3S	25641																X/-							
	3S	25646																X/-							
	3S	25647																X/-							
	3S	25652																X/-							
	3S	25654																X/-							
	8+1P	3SIOC	833															X/-	X/-						
		3SIOC	853															X/-	X/-						
		3SIOC	29833				X											X/-							
9	3S	863															X/-	X/-				●A			
	3S	29863				●											●B/-								
9 x 4	3S	16409																					●H	●HR	
	3S	861															X/-	X/-				●A			
10	3S	29861				X											X/B/-								

**Explanatory notes** [No. of Output] +P: With Parity Bit

[Output] 3S: 3-State Output R3: Series Resistor and 3-State Output

[Output] OC: Open-Collector Output 3SIOC: 3-State Output / Open-Collector Output

**Status** ●: Product available in technology indicated \* : New product planned in technology indicated

X: Discontinued ■: Not recommended for new designs

HC: SN74HCxx / CD74HCxx

HCT: SN74HCTxx / CD74HCTxx

BCT: SN74BCTxx / SN64BCTxx

AC: 74AC11xxx (Product available in reduced-noise advanced CMOS: 11000 Series) / SN74ACxx / CD74ACxx

ACT: 74ACT11xxx (Product available in reduced-noise advanced CMOS: 11000 Series) / SN74ACTxx / CD74ACTxx







J/K FLIP-FLOP

Trigger	Circuit	PRE • CLR	Output	Q • Q̄	Device	Technology																		
						Bipolar					CMOS				BICMOS			Advanced CMOS						
						TTL	LS	S	ALS	AS	F	HC	HCT	BCT	ABT	LVT	ALVT	AC	ACT	AHC	AHCT	LV	LV-AT	LVC
POS	1	B	2S	B	72	X																		
		B	2S	B	70	X																		
	2	B	2S	B	73	X	●	●	●	●	●	●	●	●	●	●	●	●	●	●	●	●	●	●
		B	2S	B	109	X	●	●	●	●	●	●	●	●	●	●	●	●	●	●	●	●	●	●
NEG	2	B	2S	B	110	X																		
		B	2S	B	111	X																		
	4	B	2S	Q	376	X																		
		B	2S	B	76	X	×																	
	2	B	2S	B	78	X																		
		B	2S	B	107	●	●	●	●	●	●	●	●	●	●	●	●	●	●	●	●	●	●	●
		B	2S	B	112	●	●	●	●	●	●	●	●	●	●	●	●	●	●	●	●	●	●	●
		B	2S	B	113	●	●	●	●	●	●	●	●	●	●	●	●	●	●	●	●	●	●	●
4	B	2S	B	114	×	×	×	×	×	×	×	×	×	×	×	×	×	×	×	×	×	×	×	
	B	2S	Q	276	X																			

D-TYPE FLIP-FLOP

Trigger	Circuit	PRE • CLR	Output	Q • Q̄	Device	Technology																	
						Bipolar					CMOS				BICMOS			Advanced CMOS					
						TTL	LS	S	ALS	AS	F	HC	HCT	BCT	ABT	LVT	ALVT	AC	ACT	AHC	AHCT	LV	LV-AT
POS	2	B	2S	B	74	X	●	●	●	●	●	●	●	●	●	●	●	●	●	●	●	●	●
		C	2S	B	171	X																	
	4	C	2S	B	175	X	●	●	●	●	●	●	●	●	●	●	●	●	●	●	●	●	●
		B	2S	B	379	X																	
	6	C	2S	Q	174	X	●	●	●	●	●	●	●	●	●	●	●	●	●	●	●	●	●
		B	2S	Q	378	X	●	●	●	●	●	●	●	●	●	●	●	●	●	●	●	●	●
	8	C	2S	Q	273	X	●	●	●	●	●	●	●	●	●	●	●	●	●	●	●	●	●
			3S	Q	374	●	●	●	●	●	●	●	●	●	●	●	●	●	●	●	●	●	●
		2S	Q	377	●	●	●	●	●	●	●	●	●	●	●	●	●	●	●	●	●	●	●
			3S	Q	478																		
		3S	Q̄	534	●	●	●	●	●	●	●	●	●	●	●	●	●	●	●	●	●	●	●
			Q̄	564	●	●	●	●	●	●	●	●	●	●	●	●	●	●	●	●	●	●	●
		3S	Q	574	●	●	●	●	●	●	●	●	●	●	●	●	●	●	●	●	●	●	●
			Q	575	●	●	●	●	●	●	●	●	●	●	●	●	●	●	●	●	●	●	●
		3S	Q	576	●	●	●	●	●	●	●	●	●	●	●	●	●	●	●	●	●	●	●
			Q̄	577	●	●	●	●	●	●	●	●	●	●	●	●	●	●	●	●	●	●	●
		3S	Q	825	●	●	●	●	●	●	●	●	●	●	●	●	●	●	●	●	●	●	●
			Q	826	×																		
	C	3S	Q	874	●	●	●	●	●	●	●	●	●	●	●	●	●	●	●	●	●	●	
		Q̄	876	●	●	●	●	●	●	●	●	●	●	●	●	●	●	●	●	●	●	●	
	C	3S	Q	878	×	×																	
		Q	879	X	×																		
	3S	Q	874	●	●	●	●	●	●	●	●	●	●	●	●	●	●	●	●	●	●	●	
		Q̄	874	●	●	●	●	●	●	●	●	●	●	●	●	●	●	●	●	●	●	●	
	3S	Q	29825	×	×																		
		Q	29826	×	×																		
	C	3S	Q	823	●	●	●	●	●	●	●	●	●	●	●	●	●	●	●	●	●	●	
		Q̄	824	X	×																		
	C	3S	Q	29823	×	×																	
		Q̄	29824	×	×																		
	3S	Q	821	●	●	●	●	●	●	●	●	●	●	●	●	●	●	●	●	●	●	●	
		Q̄	822	×	×																		
	3S	Q	16821	×	×																		
		Q̄	29821	●	●	●	●	●	●	●	●	●	●	●	●	●	●	●	●	●	●	●	
	3S	Q	29822	×	×																		
		Q̄	16820																				
	3S	Q	16820																				
		Q̄	162820																				
	16	3S	Q	16374																			
		Q̄	16534																				
	3S	Q	162374																				
		Q̄	16823																				
	C	3S	Q	162823																			
		Q̄	162823																				
	3S	Q	16721																				
		Q̄	16821																				
	3S	Q	162721																				
		Q̄	162821																				
3S	Q	16722																					
	Q̄	32374																					
32	3S	Q	322374																				
	Q̄	322374																					

Explanatory notes [Trigger] POS: Positive edge NEG: Negative Edge

[PRE - CLR] B: Preset and Clear C: Clear Only

[Output] 2S: Totem pole Output 3S: 3-State Output

[Q-Q̄] B: Q-Output Q: Q-Output Q̄: Q̄-Output

Status ●: Product available in technology indicated \* : New product planned in technology indicated

×: Discontinued ■: Not recommended for new designs

HC: SN74HCxx / CD74HCxx

HCT: SN74HCTxx / CD74HCTxx

BCT: SN74BCTxx / SN64BCTxx

AC: 74AC11xxx (Product available in reduced-noise advanced CMOS: 11000 Series) / SN74ACxx / CD74ACxx

ACT: 74ACT11xxx (Product available in reduced-noise advanced CMOS: 11000 Series) / SN74ACTxx / CD74ACTxx

LATCH

Type	Circuit	Output	PRE • CLR	Q • Q̄	Device	Technology																		
						Bipolar				CMOS				BiCMOS				Advanced CMOS						
						TTL	LS	S	ALS	AS	F	HC	HCT	BCT	ABT	LVT	ALVT	AC	ACT	AHC	AHCT	LV	LV-AT	LVC
S-R	4	2S		Q	279	X	●	●																
AD	8	2S		Q	259	X	●	●																
	8	2S		Q	4724																			
BIS	4	2S		Q	75	X	●																	
	4	2S		Q	77																			
	4	2S		Q	375																			
	8	2S		Q	100	X																		
R-B	8	3S		Q	990																			
	8	3S		Q	991																			
	8	3S	B	Q	666																			
	8	3S	C	Q	996																			
	8	3S	B	Q̄	667																			
	9	3S	C	Q	992																			
	9	3S	C	Q̄	993																			
	10	3S		Q	994																			
	10	3S		Q̄	995																			
	D	8	2S	C	Q	116	X																	
8		3S		Q	373																			
8		3S		Q	2373																			
8		3S		Q̄	533																			
8		3S		Q	573																			
8		3S		Q̄	563																			
8		3S	S	Q	580																			
8		3S	C	Q	873																			
8		3S	P	Q	880																			
8		3S	B	Q	845																			
8		3S	B	Q	29845																			
8		3S	B	Q̄	846																			
8		3S	B	Q̄	29846																			
9		3S	B	Q	843																			
9		3S	B	Q	1543																			
9		3S	B	Q	29843																			
9		3S	B	Q̄	844																			
9		3S	B	Q̄	29844																			
10		3S		Q	841																			
10		3S		Q	29841																			
10		3S		Q̄	842																			
10		3S		Q̄	29842																			
12/24		3S		Q	16260																			
12/24		3S		Q	16260																			
16		3S		Q	16373																			
16		3S		Q̄	16533																			
16		3S		Q	162373																			
18		3S	B	Q	16843																			
20		3S		Q	16841																			
20		3S		Q	162841																			
32		3S		Q	32373																			

Explanatory notes [Type] S-R: S-R Latch AD: Addressable Latch BIS: Bistable Latch

[Type] R-B: Read-Back Latch D: D-Type Transparent Latch

[PRE - CLR] B: Preset and Clear C: Clear Only

[Output] 2S: Totem pole Output 3S: 3-State Output

[Q - Q̄] B: Q̄-Output Q: Q-Output Q̄: Q-Output

Status ●: Product available in technology indicated \* : New product planned in technology indicated

X: Discontinued ■: Not recommended for new designs

HC: SN74HCxx / CD74HCxx

HCT: SN74HCTxx / CD74HCTxx



**REGISTER (ETC)**

Description	Device	Technology																				
		Bipolar					CMOS			BICMOS				Advanced CMOS								
		TTL	LS	S	ALS	AS	F	HC	HCT	BCT	ABT	LVT	ALVT	AC	ACT	AHC	AHCT	LV	LVC	ALVC	AVC	AUC
REGISTER FILES 8W x 2B	172	X																				
REGISTER FILES 4W x 4B	170	X	X																			
REGISTER FILES 4W x 4B	670		●																			
REGISTER FILES 16W x 5B	670																					
REGISTER FILES 16W x 5B	858																					
REGISTER FILES 16W x 6B	871																					
REGISTER FILES 32W x 4B	859																					
MUX WITH STRAGE	298	X	●																			
MUX WITH STRAGE	398	X																				
4BIT BUS-BUFFER REGISTER	173	X	●A																			
8BIT STORAGE REGISTER	396	X																				
8BIT DIAGNOSTICS/PIPELINE REGISTER	816																					
	819																					
	29816																					

Status ●: Product available in technology indicated \*: New product planned in technology indicated

X: Discontinued ■: Not recommended for new designs

HC: SN74HCxx / CD74HCxx

HCT: SN74HCTxx / CD74HCTxx

BCT: SN74BCTxx / SN64BCTxx

AC: 74AC11xxx (Product available in reduced-noise advanced CMOS: 11000 Series) / SN74ACxx / CD74ACxx

ACT: 74ACT11xxx (Product available in reduced-noise advanced CMOS: 11000 Series) / SN74ACTxx / CD74ACTxx

**MONOSTABLE MULTIVIBRATOR**

Circuit	CLR	Retrigger	Device	Technology																		
				Bipolar					CMOS			BICMOS				Advanced CMOS						
				TTL	LS	S	ALS	AS	F	HC	HCT	BCT	ABT	LVT	ALVT	AC	ACT	AHC	AHCT	LV	LVC	ALVC
1			121	●																		
	C	R	122	X	●																	
	C	R	422	X																		
2	C	R	123	●	●																	
	C		221	●	●																	
	C	R	423		●																	
	C	R	4538																			

Explanatory notes [CLR] C: With Clear

[Retrigger] R: With Retrigger

Status ●: Product available in technology indicated \*: New product planned in technology indicated

X: Discontinued ■: Not recommended for new designs

HC: SN74HCxx / CD74HCxx

HCT: SN74HCTxx / CD74HCTxx

BCT: SN74BCTxx / SN64BCTxx

AC: 74AC11xxx (Product available in reduced-noise advanced CMOS: 11000 Series) / SN74ACxx / CD74ACxx

ACT: 74ACT11xxx (Product available in reduced-noise advanced CMOS: 11000 Series) / SN74ACTxx / CD74ACTxx

DECADE/BINARY COUNTER

DEC • BIN	ASYN • SYN	No. of Bit	UP/DOWN Mode	CLR	LOAD	ETC	Device	Technology																									
								Bipolar				CMOS				BiCMOS				Advanced CMOS													
								TTL	LS	S	ALS	AS	F	HC	HCT	BCT	ABT	LVT	ALVT	AC	ACT	AHC	AHCT	LV	LVC	ALVC	AVC	AUC					
DEC	A	4		A			68	X																									
				9			90	X	●																								
							290	X	X																								
				A	D		390	X	●								X/●	-/●															
				A	A		176	X																									
				A	A		196	X	X	X																							
				A	9	D	490	X	X								X/-																
							560									X																	
	S	4	Y	S	S		162	X	●	X	A	X	X	B	X	X	X	X	X	X	X	X	X	X	X	X	X	X	X	X			
				A	S		160	X	●	X	A	X	X	B	X	X	X	X	X	X	X	X	X	X	X	X	X	X	X	X	X		
				A	S		690	X																									
				S	S		692	X																									
				S	S		568						X	X	X	X								X	X	X	X	X	X	X	X	X	
				S	S		168					X	X	X	X	X								X	X	X	X	X	X	X	X	X	
				S	S		668	X																X	X	X	X	X	X	X	X	X	
				A	A		190	X	X		X	X	A	X	●									X	X	X	X	X	X	X	X	X	
				A	S		696	X																									
				S	S		698	X																									
				A	A		192	X	X		X						X/●							X	X	X	X	X	X	X	X	X	
				A	A	J	4017										X/●							X	X	X	X	X	X	X	X	X	

BIN	A	4		A			69	X																								
							93	X	●								-/●	-/●														
							293	X	●																							
				A	D		393	X	●								●/●	-/●														
				A	A		177	X																								
				A	A		197	X	X	X																						
				7	A		4024										X/●	-/●														
				12	A		4040										●/●	-/●														
	S	4	Y	A			4020								●/●	-/●																
				A			4060									●/●	-/●															
				A			4061										X/-															
				S	S		561	X	●	A	●	B	●	A	●	●	-/●						X/H	●	X/H	●						
				S	S		693	X																X/H	●	X/H	●					
				A	S		161	X	●	A	●	B	●	A	●	●	-/●						X/H	●	X/H	●						
				A	S		691	X																X/H	●	X/H	●					
					D		4518											-/●														
				S	S		669																									
				S	S		699	X																								
				S	S		169			●	B	●	A	●	●									X/H	●	X/H	●					
				A	A		191	X	●	A	●	B	●	A	●	●	-/●							X/H	●	X/H	●					
A	S		697	X	●																											
A	A		183	X	●								X/A	●	-/●					X/H	●	X/H	●									
A	A		569										●							X/H	●	X/H	●									
A	S		461																	X/H	●	X/H	●									
S	S		463																	X/H	●	X/H	●									
A	A	R	590			●							●	A						X/H	●	X/H	●									
A	A	R	591	X																												
A	A	R	592			●															X/H	●	X/H	●								
A	A	R	593			●															X/H	●	X/H	●								
A	J		4022											X/-																		
A	J		7022											X/-																		
A	J		40103											-/●	-/●																	
S	S		469																		X/H	●	X/H	●								
S	S		579																		X/H	●	X/H	●								
S	S		869																		X/H	●	X/H	●								
A	S		867																		X/H	●	X/H	●								
OTH	A	1			12		92	X	●																							

Explanatory notes [DEC-BIN] DEC: Decoder BIN: Binary Counter OHE: Other

[ASYN-SYN] ASYN: Asynchronous SYN: Synchronous

[Up/Down] Y: Up/Down

[CLR] A: With Asynchronous Clear S: With Synchronous Clear

[LOAD] A: With Asynchronous Clear S: With Synchronous Clear 9: Preset 9

[ETC] D: 2-Curcuit R: With Series Register J: Johnson Counter 12: Devide By-Twelve Counter

Status ●: Product available in technology indicated \*: New product planned in technology indicated

X: Discontinued ■: Not recommended for new designs

HC: SN74HCxx / CD74HCxx

HCT: SN74HCxx / CD74HCTxx

BCT: SN74BCTxx / SN64BCTxx

AC: 74ACT11xxx (Product available in reduced-noise advanced CMOS: 11000 Series) / SN74ACxx / CD74ACxx

ACT: 74ACT11xxx (Product available in reduced-noise advanced CMOS: 11000 Series) / SN74ACTxx / CD74ACTxx

**RATE MULTIPLIER/FREQUENCY DIVIDERS**

Description	Device	Technology																				
		Bipolar					CMOS			BiCMOS				Advanced CMOS								
		TTL	LS	S	ALS	AS	F	HC	HCT	BCT	ABT	LVT	ALVT	AC	ACT	AHC	AHCT	LV	LVC	ALVC	AVC	AUC
FREQUENCY DIVIDERS	56	X																				
FREQUENCY DIVIDERS	57	X																				
6BIT BINARY RATE MULTIPLIER	97	●																				
DECADE RATE MULTIPLIER	167	X																				
PROGRAMABLE FREQUENCY DIVIDER/DIGITAL TIMERS	292	●																				
	294	●																				

Status ●: Product available in technology indicated \*: New product planned in technology indicated

X: Discontinued ■: Not recommended for new designs

HC: SN74HCxx / CD74HCxx

HCT: SN74HCTxx / CD74HCTxx

BCT: SN74BCTxx / SN64BCTxx

AC: 74AC11xxx (Product available in reduced-noise advanced CMOS: 11000 Series) / SN74ACxx / CD74ACxx

ACT: 74ACT11xxx (Product available in reduced-noise advanced CMOS: 11000 Series) / SN74ACTxx / CD74ACTxx

**DATA SELECTOR/MULTIPLEXER**

No. of Input/output	Output	Circuit	ETC	Device	Technology																		
					Bipolar					CMOS			BiCMOS				Advanced CMOS						
					TTL	LS	S	ALS	AS	F	HC	HCT	BCT	ABT	LVT	ALVT	AC	ACT	AHC	AHCT	LV	LVC	ALVC
16/1	2S	1		150	●											X/-	X/-						
	3S	1		250				●A								X/-	X/-						
	3S	1		850				X															
	3S	1		851				X															
	2S	1		4067						X/●	-/●												
8/1	2S	1		151	XA	●	●	●	●	●	●	●	●	●	●	X/-	X/-	●	●				
	2S	1		152																			
	3S	1		251	X	●	X	●	X	●	X	●	X	●	X	X/-	X/-	X	X				
	3S	1		354	X																		
	3S	1		356	X											X/-	-/●						
	3S	1		4051												-/●	-/●				●A		
	3S	1		4351												-/●	-/●						
	3S	1		4851												●/-							
	OC	1		355	X																		
OC	1		357	X																			
4/1	2S	2		352	X	X	X	X	X	X/-						X/-	X/-						
	3S	2		153	X	●	X	●	●	●	●	●	●	●	●	X/-	●	X/-	●	●			
	3S	2		253	●	●	●	●A	●	●	●	●	●	●	●	X/-	●	X/-	●	●			
	3S	2		353	X	X	X	X	X/-							X/-	X/-						
	3S	2		4052												-/●	-/●				●A		
	3S	2		4352												-/●							
	3S	4		16460																		X	
3S	4		162460																				
2/1	2S	1		157	X	●	●	●A	●	●A	●	●	●	●	●	X/-	●	X/-	●	●	●	●A	●A
	2S	1		158	●	X	●	●	●A	●	●	●	●	●	●	X/-	●	X/-	●	●	●		-
	2S	4	S	399	●																		
	3S	1		257	●B	●	●A	●	●	●	●	●	●	●	●	●/-	●	X/-	●	●		●A	
	3S	1		258	●B	X	●A	●	●	●	●	●	●	●	●	X/-	X/-	●	●				-
	3S	4		4053												-/●	-/●						
	3S	6	U	857																		●A	
	3S	8	S	604	X			●	X							X/-							
	OC	8	S	605	X																		
	3S	8	S	606	X																		
OC	8	S	607	X																			
16	3S	16	AD	16254																	X		

Explanatory notes [Output] 2S: Totem pole Output 3S: 3-State Output OC: Open-Collector Output [ETC] S: Storage Register

Status ●: Product available in technology indicated \*: New product planned in technology indicated

X: Discontinued ■: Not recommended for new designs

HC: SN74HCxx / CD74HCxx

HCT: SN74HCTxx / CD74HCTxx

BCT: SN74BCTxx / SN64BCTxx



**Display Decoder / Driver**

Function	V <sub>OH</sub> (V)	Device	Technology																			
			Bipolar				CMOS			BiCMOS			Advanced CMOS									
			TTL	LS	ALS	AS	F	HC	HCT	BCT	ABT	LVT	ALVT	AC	ACT	AHC	AHCT	LV	LVC	ALVC	AVC	AUC
D	30	45	●																			
D	60	141	×																			
D	15	145	●	●																		
D	7	445	×																			
7	30	46	×																			
7	15	47	●	●																		
7	5.5	48	×	×																		
7	5.5	49	×																			
7	30	246	×																			
7	15	247	×	●																		
7	7	347																				
7	7	447																				
7	5.5	248	×																			
7	5.5	249	×																			
B	7	142	×																			
B	7	143	×																			
B	7	144	×																			

Explanatory notes [Function] D: BCD TO DECIMAL, 7: BCD TO 7-SEGMENT, B: COUNTER/LATCH/DECODER/DRIVER  
[VOH] Off-Stage Output Voltage (V)

Status ●: Product available in technology indicated \* : New product planned in technology indicated

×: Discontinued ■: Not recommended for new designs

HC: SN74HCxx / CD74HCxx

HCT: SN74HCTxx / CD74HCTxx

BCT: SN74BCTxx / SN64BCTxx

AC: 74ACT1xxx (Product available in reduced-noise advanced CMOS: 11000 Series) / SN74ACxx / CD74ACxx

ACT: 74ACT11xxx (Product available in reduced-noise advanced CMOS: 11000 Series) / SN74ACTxx / CD74ACTxx

**COMPARATOR**

No. of Bit	Input	P=Q	P̄=Q̄	P>Q	P<Q	Output	Device	Technology															
								Bipolar				CMOS			BiCMOS			Advanced CMOS					
								TTL	LS	ALS	AS	F	HC	HCT	BCT	ABT	LVT	ALVT	AC	ACT	AHC	AHCT	LV
4	S	Y	N	Y	Y	2S	85	×	●	●	×				×/A/●	●/●							
6	S	N	Y	N	N	2S	29806			×													
8	20	Y	N	N	N	OC	518			●	×												
8	20	N	Y	N	N	2S	520			●	×									×/A/	×/A/		
8	20	N	Y	N	N	OC	522			●	×												
8	20	N	Y	Y	N	2S	682		●														
8	20	N	Y	Y	N	OC	683		×														
8	S	Y	N	Y	N	OC	519			×	×												
8	S	N	Y	N	N	2S	521			●	×									×/A/	×/A/		
8	S	N	Y	Y	N	2S	684		●														
8	S	N	Y	Y	N	OC	685		×														
8	S	N	Y	Y	N	2S	686		×														
8	S	N	Y	Y	N	OC	687		×														
8	S	N	Y	N	N	2S	688		●	×													
8	S	N	Y	N	N	OC	689		×	×													
8	S	Y	N	Y	Y	2S	860													×/A/	×/A/		
8	S	N	N	Y	Y	2S	865													×/A/	×/A/		
8	LP	N	N	Y	Y	2S	866													×/A/	×/A/		
8	LPQ	Y	N	Y	Y	OC	866																
9	-	N	Y	N	N	2S	29809			×													

Explanatory notes [Input] S: Standard 20: 20-kW Pullup Resistors LP: P-Port Latch LPQ: L,P-port Latch

[P=Q, P=Q̄, P>Q, P<Q] Y: Yes N: No

[Output] 2S: Totem Pole Output, OC: Open-Collector Output

Status ●: Product available in technology indicated \* : New product planned in technology indicated

×: Discontinued ■: Not recommended for new designs

HC: SN74HCxx / CD74HCxx

HCT: SN74HCTxx / CD74HCTxx

BCT: SN74BCTxx / SN64BCTxx



**ADDRESS COMPARATOR / FUSE-PROGRAMMABLE IDENTITY COMPARATOR**

Description	No. of Bit	ETC	Device	Technology																			
				Bipolar				CMOS				BiCMOS				Advanced CMOS							
				TTL	LS	S	ALS	AS	F	HC	HCT	BCT	ABT	LVT	ALVT	AC	ACT	AHC	AHCT	LV	LVC	ALVC	AVC
A	16-4	OE	677				×A		×/						×/	×/							
A	16-4	L	678				×		×/						×/	×/							
A	12-4	OE	679				●		×/														
A	12-4	L	680				×		×/														
F	16		526				×																
F	12		528				×																
F	8		527				×																

Explanatory notes [Function] A: Address Comparator F: Fuse-Programmable Identity Comparators  
[ETC] OE: Output-With Enable L: Output-With Latch

Status ●: Product available in technology indicated \*: New product planned in technology indicated

×: Discontinued ■: Not recommended for new designs

HC: SN74HCxx / CD74HCxx

HCT: SN74HCxx / CD74HCTxx

BCT: SN74BCTxx / SN64BCTxx

AC: 74AC11xxx (Product available in reduced-noise advanced CMOS: 11000 Series) / SN74ACxx / CD74ACxx

ACT: 74ACT11xxx (Product available in reduced-noise advanced CMOS: 11000 Series) / SN74ACTxx / CD74ACTxx

**PARITY GENERATOR / CHECKER**

No. of Bit	Device	Technology																					
		Bipolar				CMOS				BiCMOS				Advanced CMOS									
		TTL	LS	S	ALS	AS	F	HC	HCT	BCT	ABT	LVT	ALVT	AC	ACT	AHC	AHCT	LV	LVC	ALVC	AVC	AUC	
8	180	×						×/															
9	250		●	●	●	●	●	●	×/	●				×/	●								
9	286						●	×						×/		●							

Status ●: Product available in technology indicated \*: New product planned in technology indicated

×: Discontinued ■: Not recommended for new designs

HC: SN74HCxx / CD74HCxx

HCT: SN74HCxx / CD74HCTxx

BCT: SN74BCTxx / SN64BCTxx

AC: 74AC11xxx (Product available in reduced-noise advanced CMOS: 11000 Series) / SN74ACxx / CD74ACxx

ACT: 74ACT11xxx (Product available in reduced-noise advanced CMOS: 11000 Series) / SN74ACTxx / CD74ACTxx

**VOLTAGE CONTROLLED OSCILLATOR (VCO)**

Curcuit	Fmax (MHz)	COMPL Z OUT	ENABLE	RANGE INPUT	Rext	PLL	Device	Technology															
								Bipolar				CMOS				BiCMOS				Advanced CMOS			
								TTL	LS	S	ALS	AS	F	HC	HCT	BCT	ABT	LVT	ALVT	AC	ACT	AHC	AHCT
1	20	Y	Y	Y			624		●														
	20	Y	Y	Y	Y		628		●														
	24				Y	Y	7046																
2	20						627		×														
	20		Y	Y			629		●														
	20						625		×														
	20	Y	Y				626		×														
	60		Y	Y			124			●													
24					Y	Y	4046																

Status ●: Product available in technology indicated \*: New product planned in technology indicated

×: Discontinued ■: Not recommended for new designs

HC: SN74HCxx / CD74HCxx

HCT: SN74HCxx / CD74HCTxx

BCT: SN74BCTxx / SN64BCTxx

AC: 74AC11xxx (Product available in reduced-noise advanced CMOS: 11000 Series) / SN74ACxx / CD74ACxx

ACT: 74ACT11xxx (Product available in reduced-noise advanced CMOS: 11000 Series) / SN74ACTxx / CD74ACTxx

**ACCUMULATORS / ARITHMETIC LOGIC UNIT (ALU) / LOOK-AHEAD CARRY GENERATOR**

Description	Device	Technology																				
		Bipolar						CMOS			BICMOS			Advanced CMOS								
		TTL	LS	S	ALS	AS	F	HC	HCT	BCT	ABT	LVT	ALVT	AC	ACT	AHC	AHCT	LV	LVC	ALVC	AVC	AUC
4BIT PARALLEL BINARY ACCUMULATORS	281			X																		
4BIT PARALLEL BINARY ACCUMULATORS	681	X																				
4BIT ALU/FUNCTION GENERATORS	181	X	●	X		●A							X/H-	X/H-								
4BIT ALU/FUNCTION GENERATORS	381	X	X			X																
4BIT ALU/FUNCTION GENERATORS	881	X				X/A							X/H-	X/H-								
4BIT ALU WITH RIFLE CARRY	362	X				X																
LOOK AHEAD CARRY GENERATORS	254					X																
LOOK AHEAD CARRY GENERATORS	182	X		X		X																
LOOK AHEAD CARRY GENERATORS	282					X																
LOOK AHEAD CARRY GENERATORS	882					X/A							X/H-	X/H-								
QUAD SERIAL ADDER/SUBTRACTOR	385	X																				

Status ●: Product available in technology indicated \*; New product planned in technology indicated  
 X: Discontinued ■: Not recommended for new designs  
 HC: SN74HCxx / CD74HCxx  
 HCT: SN74HCTxx / CD74HCTxx  
 BCT: SN74BCTxx / SN64BCTxx  
 AC: 74AC11xxx (Product available in reduced-noise advanced CMOS: 11000 Series) / SN74ACxx / CD74ACxx  
 ACT: 74ACT11xxx (Product available in reduced-noise advanced CMOS: 11000 Series) / SN74ACTxx / CD74ACTxx

**ADDER**

Description	Device	Technology																				
		Bipolar						CMOS			BICMOS			Advanced CMOS								
		TTL	LS	S	ALS	AS	F	HC	HCT	BCT	ABT	LVT	ALVT	AC	ACT	AHC	AHCT	LV	LVC	ALVC	AVC	AUC
4BIT BINARY FULL ADDER	83	X	X																			
4BIT BINARY FULL ADDER	283	X	●	●		●	-●	-●					-/●	-/●								
DUAL CARRY SAVE FULL ADDER	183	X																				
GATED FULL ADDER	89	X																				
2BIT BINARY FULL ADDER	82	X																				

Status ●: Product available in technology indicated \*; New product planned in technology indicated  
 X: Discontinued ■: Not recommended for new designs  
 HC: SN74HCxx / CD74HCxx  
 HCT: SN74HCTxx / CD74HCTxx  
 BCT: SN74BCTxx / SN64BCTxx  
 AC: 74AC11xxx (Product available in reduced-noise advanced CMOS: 11000 Series) / SN74ACxx / CD74ACxx  
 ACT: 74ACT11xxx (Product available in reduced-noise advanced CMOS: 11000 Series) / SN74ACTxx / CD74ACTxx

**MULTIPLIER**

Description	Device	Technology																				
		Bipolar						CMOS			BICMOS			Advanced CMOS								
		TTL	LS	S	ALS	AS	F	HC	HCT	BCT	ABT	LVT	ALVT	AC	ACT	AHC	AHCT	LV	LVC	ALVC	AVC	AUC
2-4 PARALLEL BINARY MULTIPLIERS	261	X	X																			
4-4 PARALLEL BINARY MULTIPLIERS	264	X																				
4-4 PARALLEL BINARY MULTIPLIERS	285	X																				
2'S COMPLEMENT MULTIPLIERS	384	X																				

Status ●: Product available in technology indicated \*; New product planned in technology indicated  
 X: Discontinued ■: Not recommended for new designs  
 HC: SN74HCxx / CD74HCxx  
 HCT: SN74HCTxx / CD74HCTxx  
 BCT: SN74BCTxx / SN64BCTxx  
 AC: 74AC11xxx (Product available in reduced-noise advanced CMOS: 11000 Series) / SN74ACxx / CD74ACxx  
 ACT: 74ACT11xxx (Product available in reduced-noise advanced CMOS: 11000 Series) / SN74ACTxx / CD74ACTxx

**MEMORY**

Description	Device	Technology																				
		Bipolar						CMOS		BiCMOS				Advanced CMOS								
		TTL	LS	S	ALS	AS	F	HC	HCT	BCT	ABT	LVT	ALVT	AC	ACT	AHC	AHCT	LV	LVC	ALVC	AVC	AUC
MEMORY REFRESH CONTROLLERS	600	×																				
MEMORY REFRESH CONTROLLERS	601	×																				
MEMORY REFRESH CONTROLLERS	603	×																				
MEMORY CYCLE CONTROLLER	608	×																				
MEMORY MAPPERS	612	×																				
MEMORY MAPPERS	613	×																				
MEMORY MAPPERS WITH LATCH	610	×																				
MEMORY MAPPERS WITH LATCH	611	×																				
MULTI-MODE LATCH	412		×																			
3-8 MEMORY DECIDER	2414									●												

Status ●: Product available in technology indicated \*: New product planned in technology indicated

×: Discontinued ■: Not recommended for new designs

HC: SN74HCxx / CD74HCxx

HCT: SN74HCxx / CD74HCTxx

BCT: SN74BCTxx / SN64BCTxx

AC: 74AC11xxx (Product available in reduced-noise advanced CMOS: 11000 Series) / SN74ACxx / CD74ACxx

ACT: 74ACT11xxx (Product available in reduced-noise advanced CMOS: 11000 Series) / SN74ACTxx / CD74ACTxx

**CLOCK GENERATOR CIRCUIT**

Description	Device	Technology																				
		Bipolar						CMOS		BiCMOS				Advanced CMOS								
		TTL	LS	S	ALS	AS	F	HC	HCT	BCT	ABT	LVT	ALVT	AC	ACT	AHC	AHCT	LV	LVC	ALVC	AVC	AUC
QUAD COMPLEMENTARY-OUTPUT LOGIC	265	×																				
DUAL PULSE SYNCHRONIZERS/DRIVERS	120	×																				
CRYSTAL-CONTROLLED OSCILLATORS	320	×																				
CRYSTAL-CONTROLLED OSCILLATORS	321	×																				
DIGITAL PHASE-LOCK LOOP	297	●						●	●						●							

Status ●: Product available in technology indicated \*: New product planned in technology indicated

×: Discontinued ■: Not recommended for new designs

HC: SN74HCxx / CD74HCxx

HCT: SN74HCxx / CD74HCTxx

BCT: SN74BCTxx / SN64BCTxx

AC: 74AC11xxx (Product available in reduced-noise advanced CMOS: 11000 Series) / SN74ACxx / CD74ACxx

ACT: 74ACT11xxx (Product available in reduced-noise advanced CMOS: 11000 Series) / SN74ACTxx / CD74ACTxx

**SWITCH, SHIFTER, ERROR DETECTION CORRECTION CIRCUIT, HARD DISK DRIVER**

Description	Device	Technology																				
		Bipolar						CMOS		BiCMOS				Advanced CMOS								
		TTL	LS	S	ALS	AS	F	HC	HCT	BCT	ABT	LVT	ALVT	AC	ACT	AHC	AHCT	LV	LVC	ALVC	AVC	AUC
QUAD BILATERAL SWITCHES	4016																					
QUAD BILATERAL SWITCHES	4066							●	●	●	●					●			●	●		
ANALOG SWITCHES WITH LEVEL TRANSLATION	4316							●	●													
4BIT SHIFTERS	350		×																			
8BIT PARALLEL ERROR DETECTION CORRECTION CIRCUIT	636	×																				
	637	×																				
	616																					
	617				×																	
16BIT PARALLEL ERROR DETECTION CORRECTION CIRCUIT	630	×																				
	631	×																				
	632				×	×																
	633				×																	
	634				×	×																
	635				×																	
HARD DISK DRIVER	1250				×																	

Status ●: Product available in technology indicated \*: New product planned in technology indicated

×: Discontinued ■: Not recommended for new designs

HC: SN74HCxx / CD74HCxx

HCT: SN74HCxx / CD74HCTxx

BCT: SN74BCTxx / SN64BCTxx

AC: 74AC11xxx (Product available in reduced-noise advanced CMOS: 11000 Series) / SN74ACxx / CD74ACxx

ACT: 74ACT11xxx (Product available in reduced-noise advanced CMOS: 11000 Series) / SN74ACTxx / CD74ACTxx

# **PIN ASSIGNMENTS**

**Standard**



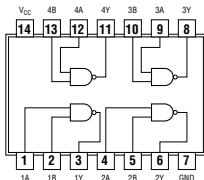
# Pin Assignments

## 00

### QUADRUPLE 2-INPUT POSITIVE-NAND GATES

positive logic:

$$Y = \overline{A \cdot B}$$



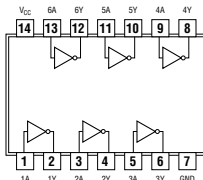
See page 231

## 04

### HEX INVERTERS

positive logic:

$$Y = \overline{A}$$



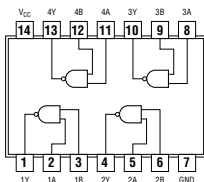
See page 235

## 01

### QUADRUPLE 2-INPUT POSITIVE-NAND GATES WITH OPEN-COLLECTOR OUTPUTS

positive logic:

$$Y = \overline{A \cdot B}$$



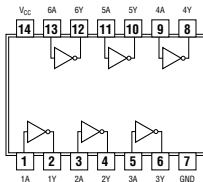
See page 232

## U04

### HEX INVERTERS

positive logic:

$$Y = \overline{A}$$



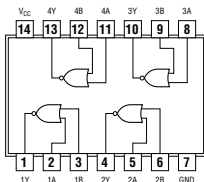
See page 236

## 02

### QUADRUPLE 2-INPUT POSITIVE-NOR GATES

positive logic:

$$Y = \overline{A + B}$$



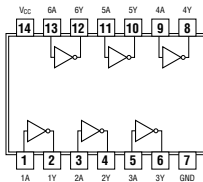
See page 233

## 05

### HEX INVERTERS WITH OPEN-DRAIN OUTPUTS

positive logic:

$$Y = \overline{A}$$



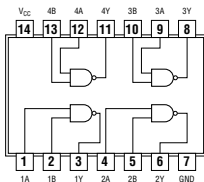
See page 236

## 03

### QUADRUPLE 2-INPUT POSITIVE-NAND GATES WITH OPEN-COLLECTOR OUTPUTS

positive logic:

$$Y = \overline{A \cdot B}$$



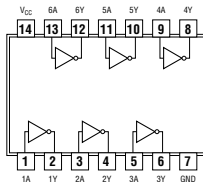
See page 234

## 06

### HEX INVERTER BUFFERS/DRIVERS WITH OPEN-DRAIN OUTPUTS

positive logic:

$$Y = \overline{A}$$



See page 237

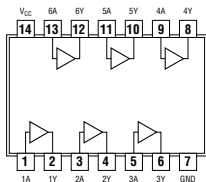
# Pin Assignments

## 07

### HEX BUFFERS/DRIVERS WITH OPEN-DRAIN OUTPUTS

positive logic:

$$Y = \bar{A}$$



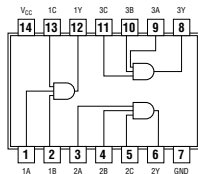
See page 237

## 11

### TRIPLE 3-INPUT POSITIVE-AND GATES

positive logic:

$$Y = A \cdot B \cdot C$$



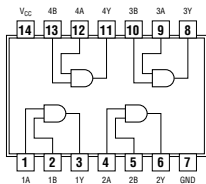
See page 241

## 08

### QUADRUPLE 2-INPUT POSITIVE-AND GATES

positive logic:

$$Y = A \cdot B$$



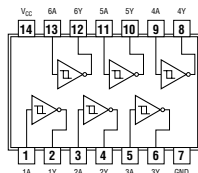
See page 238

## 14

### HEX SCHMITT-TRIGGER INVERTERS

positive logic:

$$Y = \bar{A}$$



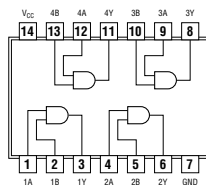
See page 242

## 09

### QUADRUPLE 2-INPUT POSITIVE-AND GATES WITH OPEN-COLLECTOR OUTPUTS

positive logic:

$$Y = A \cdot B$$



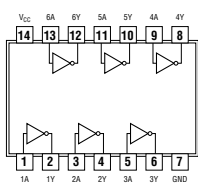
See page 239

## 16

### HEX INVERTER BUFFERS/DRIVERS WITH OPEN-COLLECTOR HIGH-VOLTAGE OUTPUTS

positive logic:

$$Y = \bar{A}$$



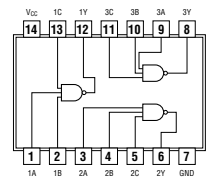
See page 243

## 10

### TRIPLE 3-INPUT POSITIVE-NAND GATES

positive logic:

$$Y = \overline{A \cdot B \cdot C}$$



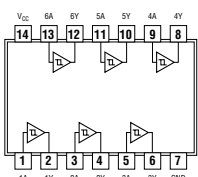
See page 240

## 17

### HEX SCHMITT-TRIGGER BUFFER

positive logic:

$$Y = A$$



See page 243

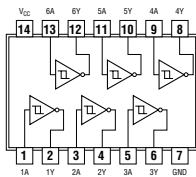
# Pin Assignments

**19**

**HEX SCHMITT-TRIGGER INVERTERS**

positive logic:

$Y = \bar{A}$



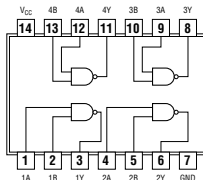
See page 244

**26**

**QUADRUPLE 2-INPUT HIGH-VOLTAGE INTERFACE POSITIVE-NAND GATES**

positive logic:

$Y = \bar{A}B$



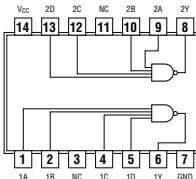
See page 247

**20**

**DUAL 4-INPUT POSITIVE-NAND GATES**

positive logic:

$Y = \bar{A} \cdot \bar{B} \cdot \bar{C} \cdot \bar{D}$



See page 245

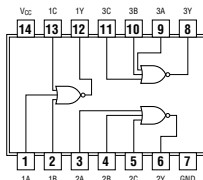
NC-No internal connection

**27**

**TRIPLE 3-INPUT POSITIVE-NOR GATES**

positive logic:

$Y = \bar{A} + \bar{B} + \bar{C}$



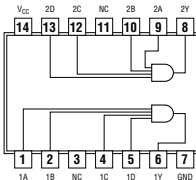
See page 247

**21**

**DUAL 4-INPUT POSITIVE-AND GATES**

positive logic:

$Y = A \cdot B \cdot C \cdot D$



See page 246

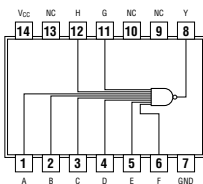
NC-No internal connection

**30**

**8-INPUT POSITIVE-NAND GATES**

positive logic:

$Y = \bar{A} \cdot \bar{B} \cdot \bar{C} \cdot \bar{D} \cdot \bar{E} \cdot \bar{F} \cdot \bar{G} \cdot \bar{H}$



See page 248

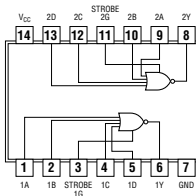
NC-No internal connection

**25**

**DUAL 4-INPUT POSITIVE-NOR GATES WITH STROBE**

positive logic:

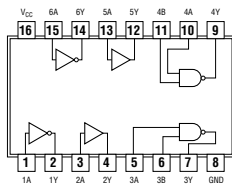
$Y = G(\bar{A} + \bar{B} + \bar{C} + \bar{D})$



See page 246

**31**

**DELAY ELEMENTS**



See page 248

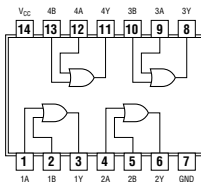


# Pin Assignments

**32**

**QUADRUPLE 2-INPUT POSITIVE-OR GATES**

positive logic:  
 $Y = A + B$

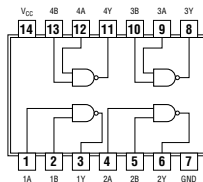


See page 249

**37**

**QUADRUPLE 2-INPUT POSITIVE-NAND BUFFERS**

positive logic:  
 $Y = \overline{A \cdot B}$

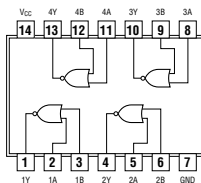


See page 252

**33**

**QUADRUPLE 2-INPUT POSITIVE-NOR BUFFERS WITH OPEN-COLLECTOR OUTPUTS**

positive logic:  
 $Y = \overline{A + B}$

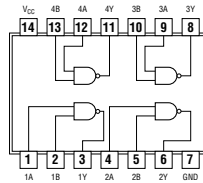


See page 250

**38**

**QUADRUPLE 2-INPUT POSITIVE-NAND BUFFERS WITH OPEN-COLLECTOR OUTPUTS**

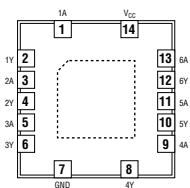
positive logic:  
 $Y = \overline{A \cdot B}$



See page 253

**34**

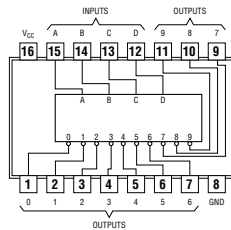
**HEX BUFFER GATE**



See page 250

**42**

**4-LINE-TO-10-LINE DECODERS (1 of 10)**

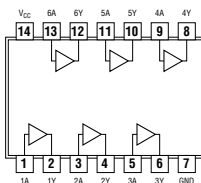


See page 254

**35**

**HEX NONINVERTERS WITH OPEN-COLLECTOR OUTPUTS**

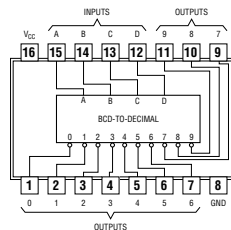
positive logic:  
 $Y = A$



See page 251

**45**

**BCD-TO-DECIMAL DECODERS/DRIVERS**

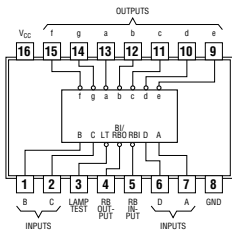


See page 256

# Pin Assignments

**47**

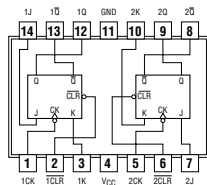
**BCD-TO-SEVEN-SEGMENT DECODERS/DRIVERS**



See page 258

**73**

**DUAL J-K FLIP-FLOPS WITH CLEAR**

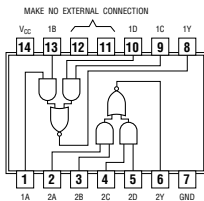


See page 262

**51**

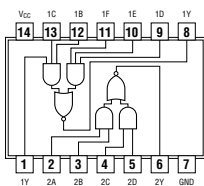
**AND-OR-INVERT GATES**  
**'51, 'S51 DUAL 2-WIDE 2-INPUT**

positive logic:  
 $Y = AB + CD$



**AND-OR-INVERT GATES**  
**'LS51 2-WIDE 3-INPUT, 2-WIDE 2-INPUT**

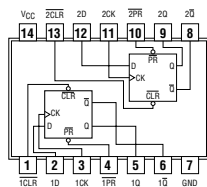
positive logic:  
 $1Y = (1A 1B 1C) + (1D 1E 1F)$   
 $2Y = (2A 2B) + (2C 2D)$



See page 260

**74**

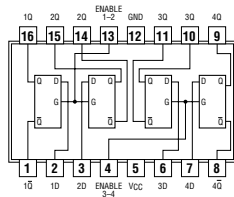
**DUAL D-TYPE POSITIVE-EDGE-TRIGGERED FLIP-FLOPS WITH CLEAR AND PRESET**



See page 264

**75**

**4-BIT BISTABLE LATCHES**

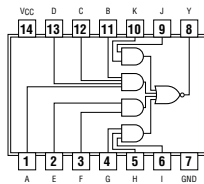


See page 266

**64**

**4-2-3-2 INPUT AND-OR INVERT GATES**

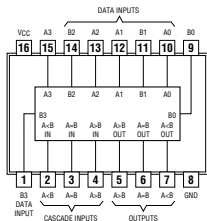
positive logic:  
 $Y = ABCD + EF + GHI + JK$



See page 261

**85**

**4-BIT MAGNITUDE COMPARATORS**



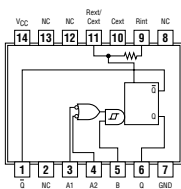
See page 267



# Pin Assignments

## 121

### MONOSTABLE MULTIVIBRATORS WITH SCHMITT-TRIGGER INPUTS



NC-No internal connection

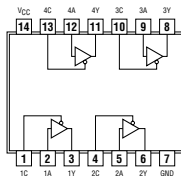
See page 280

## 125

### QUADRUPLE BUS BUFFER GATES WITH 3-STATE OUTPUTS

positive logic:

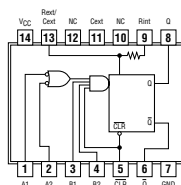
$$Y = A$$



See page 284

## 122

### RETRIGGERABLE MONOSTABLE MULTIVIBRATORS



NC-No internal connection

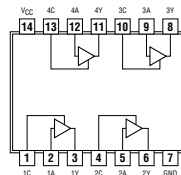
See page 281

## 126

### QUADRUPLE BUS BUFFER GATES WITH 3-STATE OUTPUTS

positive logic:

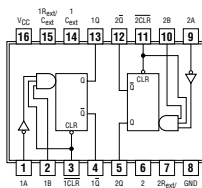
$$Y = A$$



See page 285

## 123

### DUAL RETRIGGERABLE MONOSTABLE MULTIVIBRATORS WITH SCHMITT-TRIGGER INPUTS



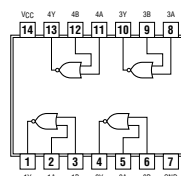
See page 282

## 128

### SN54128...75-Ω LINE DRIVER SN74128...50-Ω LINE DRIVER

positive logic:

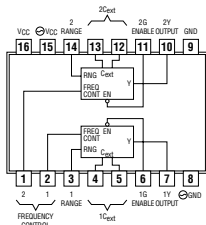
$$Y = A + B$$



See page 286

## 124

### DUAL VOLTAGE-CONTROLLED OSCILLATORS



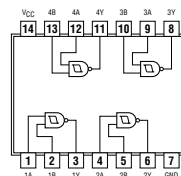
See page 283

## 132

### QUADRUPLE POSITIVE-NAND GATES WITH SCHMITT TRIGGER INPUTS

positive logic:

$$Y = A \cdot B$$



See page 286

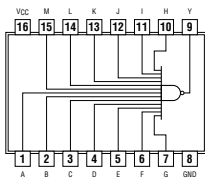
# Pin Assignments

## 133

### 13-INPUT POSITIVE-NAND GATES

positive logic:

$$Y = A \cdot B \cdot C \cdot D \cdot E \cdot F \cdot G \cdot H \cdot I \cdot J \cdot K \cdot L \cdot M$$



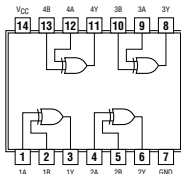
See page 287

## 136

### QUADRUPLE 2-INPUT EXCLUSIVE-OR GATES WITH OPEN COLLECTOR OUTPUTS

positive logic:

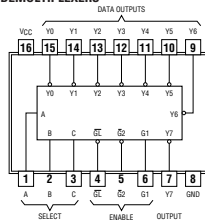
$$Y = A \cdot B = \bar{A}B + A\bar{B}$$



See page 287

## 137

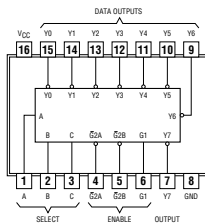
### 3-LINE TO 8-LINE DECODERS/DEMULTIPLERS WITH ADDRESS LATCHES



See page 288

## 138

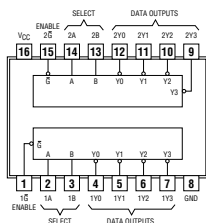
### 3-LINE TO 8-LINE DECODERS/DEMULTIPLERS



See page 290

## 139

### DUAL 2-LINE TO 4-LINE DECODERS/DEMULTIPLERS



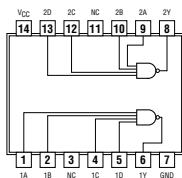
See page 292

## 140

### DUAL 4-INPUT POSITIVE-NAND 50-Ω LINE DRIVERS

positive logic:

$$Y = ABCD$$

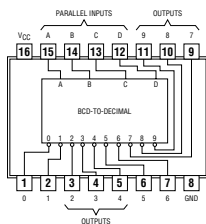


NC-No internal connection

See page 294

## 145

### BCD-TO-DECIMAL DECODERS/DRIVERS

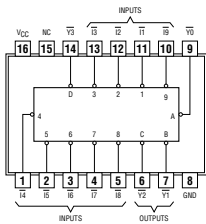


See page 295

# Pin Assignments

## 147

### 10-LINE TO 4-LINE BCD PRIORITY ENCODER

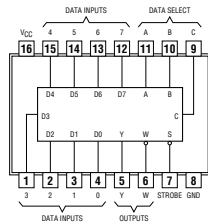


NC-No internal connection

See page 296

## 151

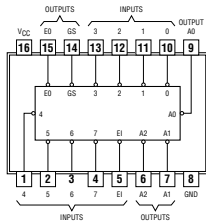
### 8-LINE TO 1-LINE DATA SELECTORS/MULTIPLEXERS



See page 302

## 148

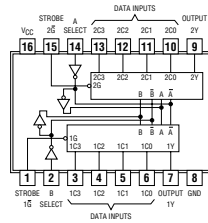
### 8-LINE TO 3-LINE PRIORITY ENCODERS



See page 298

## 153

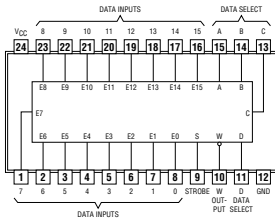
### DUAL 4-LINE TO 1-LINE DATA SELECTORS/MULTIPLEXERS



See page 304

## 150

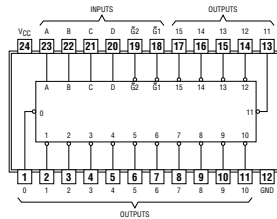
### 16-LINE TO 1-LINE DATA SELECTOR/MULTIPLEXER



See page 300

## 154

### 4-LINE TO 16-LINE DECODERS/DEMULTIPLEXERS



See page 306

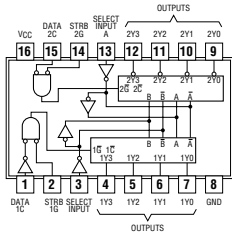
# Pin Assignments

**155**

DUAL 2-LINE TO 4-LINE DECODERS/DEMULPLEXERS

**156**

DUAL 2-LINE TO 4-LINE DECODERS/DEMULPLEXERS  
WITH OPEN-COLLECTOR OUTPUTS

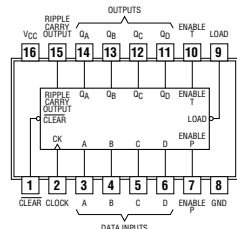


See page 308, 310

**161**

**163**

4-BIT SYNCHRONOUS BINARY COUNTERS

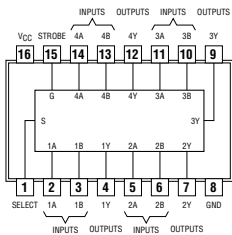


See page 318, 320

**157**

**158**

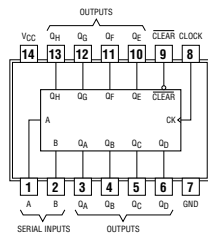
QUADRUPLE 2-LINE TO 1-LINE DATA SELECTORS/MULTIPLEXERS



See page 312, 314

**164**

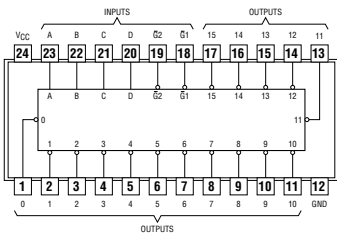
8-BIT PARALLEL-OUT SERIAL SHIFT REGISTERS



See page 322

**159**

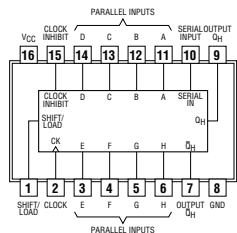
4-LINE TO 16-LINE DECODERS/DEMULPLEXERS  
WITH OPEN-COLLECTOR OUTPUTS



See page 316

**165**

PARALLEL-LOAD 8-BIT SHIFT REGISTERS



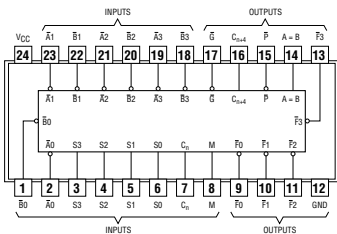
See page 324





## 181

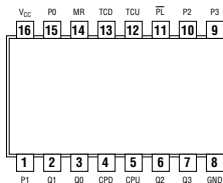
### ARITHMETIC LOGIC UNITS/FUNCTION GENERATORS



See page 336

## 192

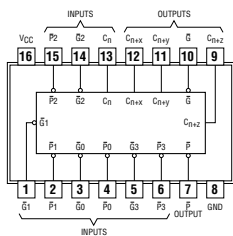
### PRESETTABLE SYNCHRONOUS 4-BIT UP/DOWN COUNTERS



See page 344

## 182

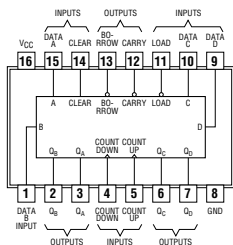
### LOOK-AHEAD CARRY GENERATOR



See page 338

## 193

### 4-BIT SYNCHRONOUS UP/DOWN COUNTERS (DUAL CLOCK WITH CLEAR)



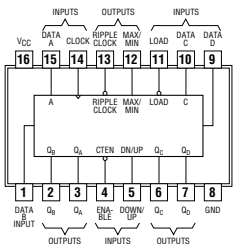
See page 346

## 190

### SYNCHRONOUS 4-BIT UP/DOWN DECADE AND BINARY COUNTERS

## 191

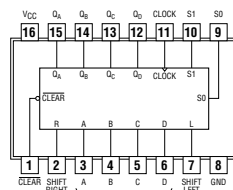
### 4-BIT SYNCHRONOUS UP/DOWN BINARY COUNTERS



See page 340, 342

## 194

### 4-BIT BIDIRECTIONAL UNIVERSAL SHIFT REGISTERS

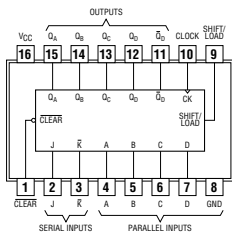


See page 348

# Pin Assignments

## 195

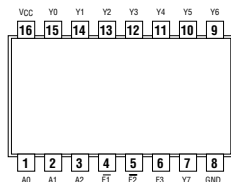
### 4-BIT PARALLEL-ACCESS SHIFT REGISTERS



See page 350

## 238

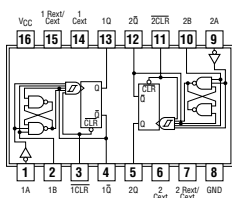
### 3-LINE TO 8-LINE DECODERS/DEMULTIPLEXERS



See page 356

## 221

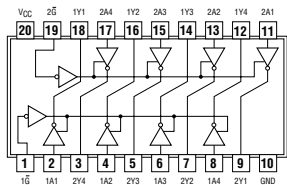
### DUAL MONOSTABLE MULTIVIBRATORS WITH SCHMITT-TRIGGER INPUTS



See page 352

## 240

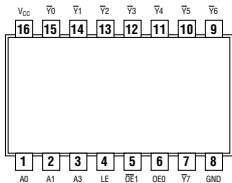
### OCTAL BUFFERS/DRIVERS WITH 3-STATE OUTPUTS



See page 358

## 237

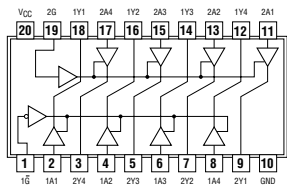
### 3-LINE TO 8-LINE DECODERS/DEMULTIPLEXERS WITH ADDRESS LATCHES



See page 354

## 241

### OCTAL BUFFERS/DRIVERS WITH 3-STATE OUTPUTS

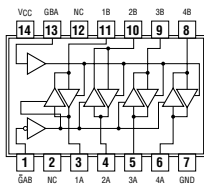


See page 360

# Pin Assignments

## 243

### QUADRUPLE BUS TRANSCEIVERS WITH 3-STATE OUTPUTS

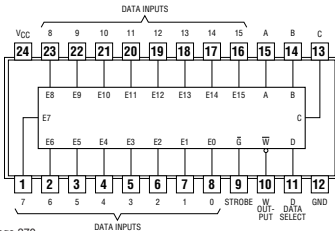


NC-No internal connection

See page 362

## 250

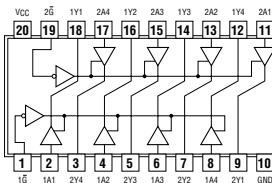
### 1-OF-16 DATA GENERATORS/MULTIPLEXERS WITH 3-STATE OUTPUTS



See page 370

## 244

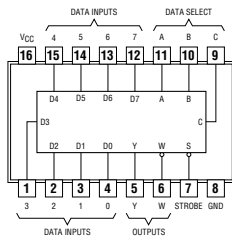
### OCTAL BUFFERS/DRIVERS WITH 3-STATE OUTPUTS



See page 364

## 251

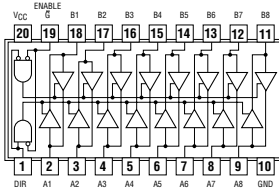
### DATA SELECTORS/MULTIPLEXERS WITH 3-STATE OUTPUTS



See page 372

## 245

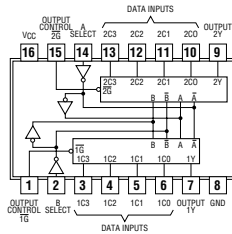
### OCTAL BUS TRANSCEIVERS WITH 3-STATE OUTPUTS



See page 366

## 253

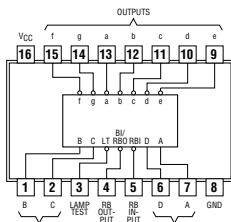
### DUAL 4-LINE TO 1-LINE DATA SELECTORS/MULTIPLEXERS WITH 3-STATE OUTPUTS



See page 374

## 247

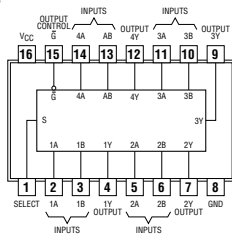
### BCD-TO-SEVEN-SEGMENT DECODERS/DRIVERS



See page 368

## 257

### QUADRUPLE 2-LINE TO 1-LINE DATA SELECTORS/MULTIPLEXERS WITH 3-STATE OUTPUTS

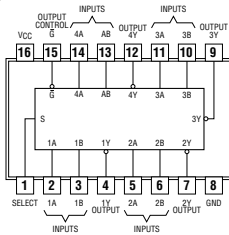


See page 376

# Pin Assignments

## 258

### QUADRUPLE 4-LINE TO 1-LINE DATA SELECTORS/MULTIPLEXERS WITH 3-STATE OUTPUTS

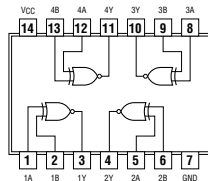


See page 378

## 266

### QUADRUPLE 2-INPUT EXCLUSIVE-NOR GATES WITH OPEN-DRAIN OUTPUTS

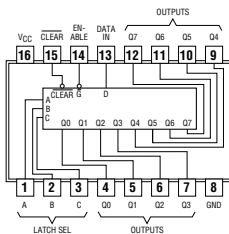
positive logic:  
 $Y = A \oplus B$



See page 383

## 259

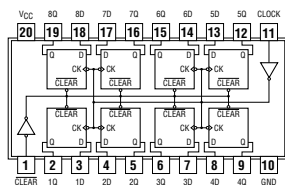
### 8-BIT ADDRESSABLE LATCHES



See page 380

## 273

### OCTAL D-TYPE FLIP-FLOPS WITH CLEAR

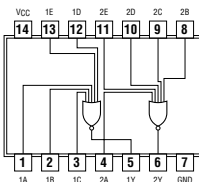


See page 384

## 260

### DUAL 5-INPUT POSITIVE-NOR GATES

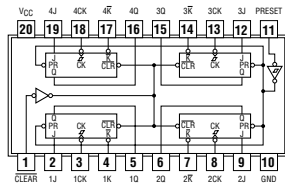
positive logic:  
 $Y = A + B + C + D + E$



See page 382

## 276

### QUADRUPLE J-K FLIP-FLOPS

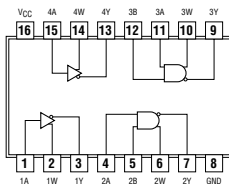


See page 386

## 265

### QUADRUPLE COMPLEMENTARY-OUTPUT ELEMENTS

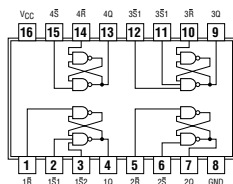
positive logic:  
 $Y = \bar{A}, W = A$   
 $Y = AB, W = AB$



See page 382

## 279

### QUADRUPLE S-R LATCHES

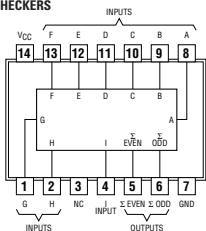


See page 387

# Pin Assignments

**280**

**9-BIT PARITY GENERATORS/CHECKERS**

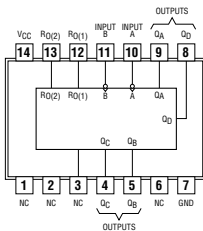


NC-No internal connection

See page 388

**293**

**4-BIT BINARY COUNTERS**

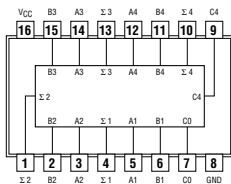


NC-No internal connection

See page 396

**283**

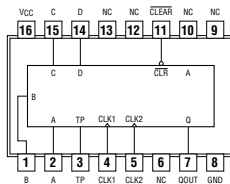
**4-BIT BINARY FULL ADDERS WITH FAST CARRY**



See page 390

**294**

**PROGRAMMABLE FREQUENCY DIVIDERS/DIGITAL TIMERS**

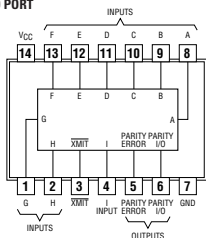


NC-No internal connection

See page 398

**286**

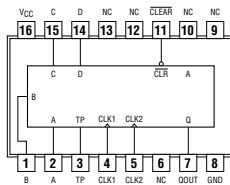
**9-BIT ODD/EVEN PARITY GENERATORS/CHECKERS WITH BUS DRIVER PARITY I/O PORT**



See page 392

**297**

**DIGITAL PHASE-LOCKED-LOOP FILTERS**

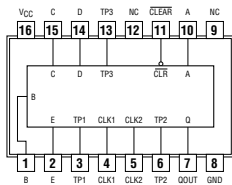


NC-No internal connection

See page 400

**292**

**PROGRAMMABLE FREQUENCY DIVIDERS/DIGITAL TIMERS**

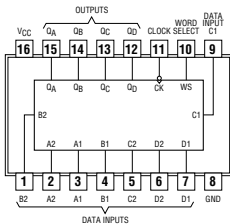


NC-No internal connection

See page 394

**298**

**QUADRUPLE 2-INPUT MULTIPLEXERS WITH STORAGE**

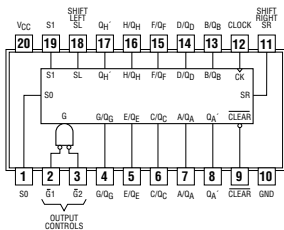


See page 402

# Pin Assignments

## 299

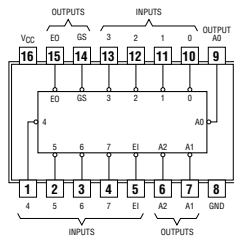
8-BIT UNIVERSAL SHIFT/STORAGE REGISTERS WITH 3-STATE OUTPUTS



See page 404

## 348

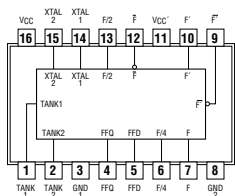
8-LINE TO 3-LINE PRIORITY ENCODERS WITH 3-STATE OUTPUTS



See page 410

## 321

CRYSTAL-CONTROLLED OSCILLATORS



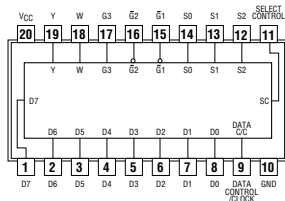
See page 406

## 354

8-LINE TO 1-LINE DATA SELECTORS/MULTIPLEXERS/TRANSPARENT REGISTERS WITH 3-STATE OUTPUTS

## 356

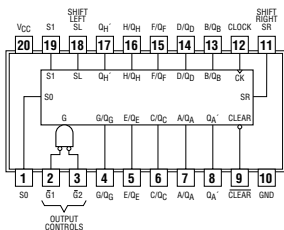
8-INPUT MULTIPLEXER/REGISTERS 3-STATE



See page 412, 414

## 323

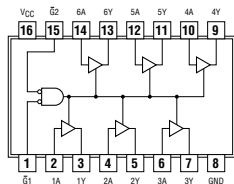
8-BIT UNIVERSAL SHIFT/STORAGE REGISTERS WITH SYNCHRONOUS CLEAR AND 3-STATE OUTPUTS



See page 408

## 365

HEX BUFFERS AND LINE DRIVERS WITH 3-STATE OUTPUTS

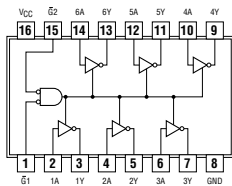


See page 416

# Pin Assignments

## 366

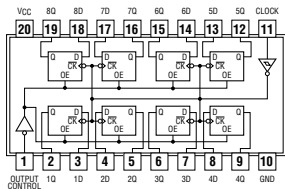
### HEX BUFFERS AND LINE DRIVERS WITH 3-STATE OUTPUTS



See page 417

## 374

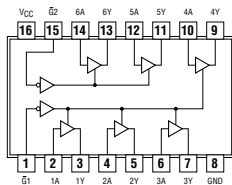
### OCTAL EDGE-TRIGGERED D-TYPE FLIP-FLOPS WITH 3-STATE OUTPUTS



See page 422

## 367

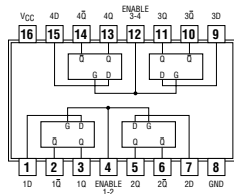
### HEX BUFFERS AND LINE DRIVERS WITH 3-STATE OUTPUTS



See page 418

## 375

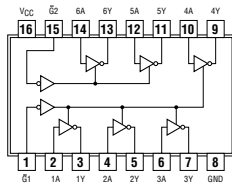
### 4-BIT BISTABLE LATCHES



See page 424

## 368

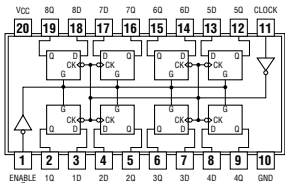
### HEX INVERTING BUFFERS AND LINE DRIVERS WITH 3-STATE OUTPUTS



See page 419

## 377

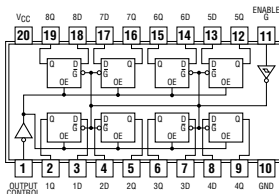
### OCTAL D-TYPE FLIP-FLOPS WITH CLOCK ENABLE



See page 425

## 373

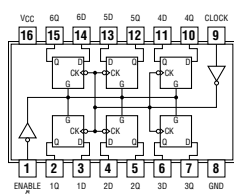
### OCTAL TRANSPARENT D-TYPE LATCHES WITH 3-STATE OUTPUTS



See page 420

## 378

### HEX D-TYPE FLIP-FLOPS WITH CLOCK ENABLE

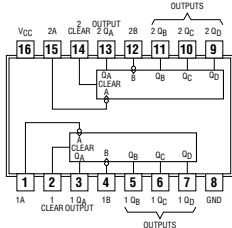


See page 426

# Pin Assignments

## 390

### DUAL 4-BIT DECADE COUNTERS

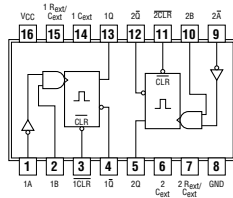


See page 427

## 423

### RETRIGGERABLE MONOSTABLE MULTIVIBRATORS

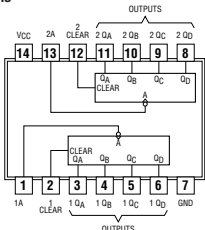
positive logic.  
Y = A



See page 431

## 393

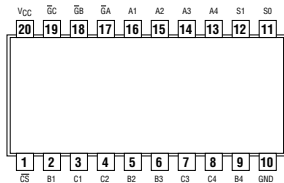
### DUAL 4-BIT BINARY COUNTERS



See page 428

## 442

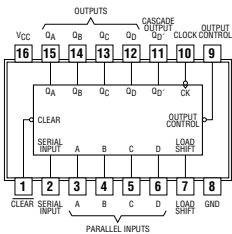
### QUADRUPLE TRIDIRECTIONAL BUS TRANSCEIVERS



See page 432

## 395

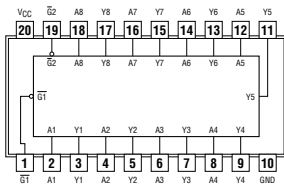
### CASCADABLE SHIFT REGISTERS



See page 429

## 465

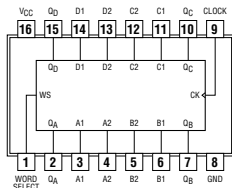
### OCTAL BUFFERS WITH 3-STATE OUTPUTS



See page 433

## 399

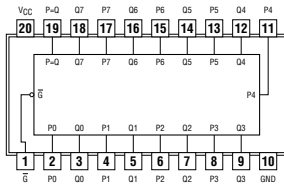
### QUADRUPLE 2-INPUT MULTIPLEXERS WITH STORAGE



See page 430

## 518

### OCTAL BINARY/BCD IDENTITY COMPARATORS WITH ENABLE



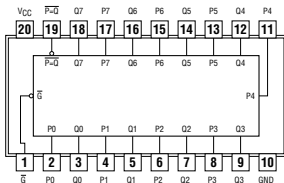
See page 433



# Pin Assignments

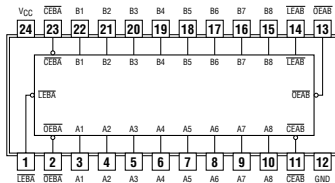
## 520 OCTAL BINARY/BCD IDENTITY COMPARATORS WITH ENABLE

### 521 8-BIT IDENTITY COMPARATORS WITH OPEN-COLLECTOR OUTPUTS



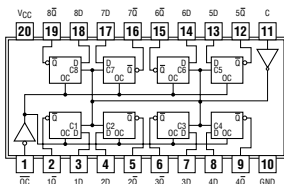
See page 434, 435

## 543 OCTAL REGISTERED TRANSCIEVERS WITH 3-STATE OUTPUTS



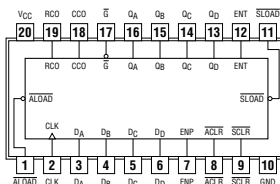
See page 440

## 533 OCTAL TRANSPARENT D-TYPE LATCHES WITH 3-STATE OUTPUTS



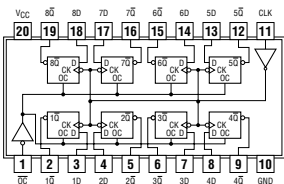
See page 436

## 561 SYNCHRONOUS 4-BIT COUNTERS WITH 3-STATE OUTPUTS



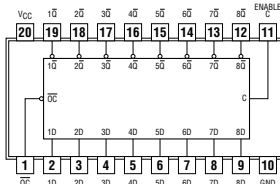
See page 442

## 534 OCTAL EDGE-TRIGGERED D-TYPE FLIP-FLOPS WITH 3-STATE OUTPUTS



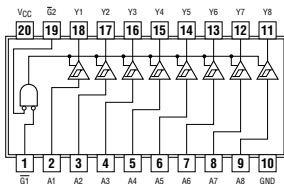
See page 437

## 563 OCTAL D-TYPE TRANSPARENT LATCHES WITH 3-STATE OUTPUTS



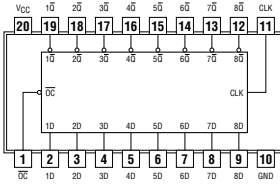
See page 444

## 540 541 OCTAL BUFFERS/DRIVERS WITH 3-STATE OUTPUTS



See page 438, 439

## 564 OCTAL D-TYPE EDGE-TRIGGERED FLIP-FLOPS WITH 3-STATE OUTPUTS

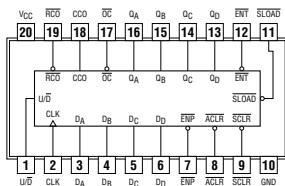


See page 445

# Pin Assignments

## 569

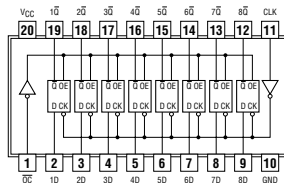
**SYNCHRONOUS 4-BIT UP/DOWN BINARY COUNTERS WITH 3-STATE OUTPUTS**



See page 446

## 576

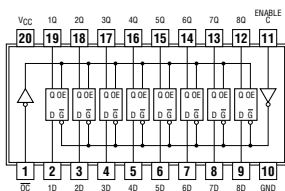
**OCTAL D-TYPE EDGE-TRIGGERED FLIP-FLOPS WITH 3-STATE OUTPUTS**



See page 453

## 573

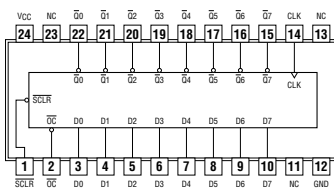
**OCTAL TRANSPARENT D-TYPE LATCHES WITH 3-STATE OUTPUTS**



See page 448

## 577

**OCTAL D-TYPE EDGE-TRIGGERED FLIP-FLOPS WITH 3-STATE OUTPUTS**

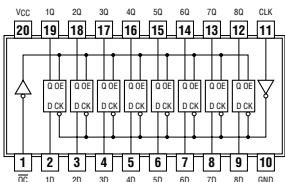


See page 454

NC-No internal connection

## 574

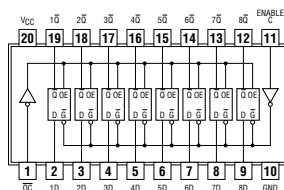
**OCTAL EDGE-TRIGGERED D-TYPE FLIP-FLOPS WITH 3-STATE OUTPUTS**



See page 450

## 580

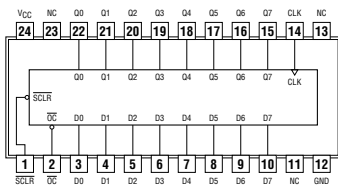
**OCTAL D-TYPE TRANSPARENT LATCHES WITH 3-STATE OUTPUTS**



See page 455

## 575

**OCTAL D-TYPE EDGE-TRIGGERED FLIP-FLOPS WITH 3-STATE OUTPUTS**

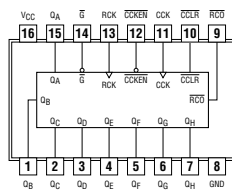


See page 452

NC-No internal connection

## 590

**8-BIT BINARY COUNTERS WITH 3-STATE OUTPUT REGISTERS**

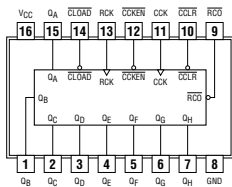


See page 456

# Pin Assignments

## 592

8-BIT BINARY COUNTERS WITH INPUT REGISTERS



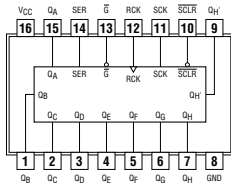
See page 458

## 595

8-BIT SHIFT REGISTERS WITH 3-STATE OUTPUT REGISTERS

## 596

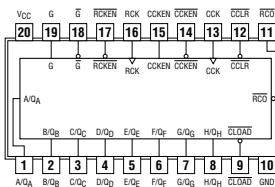
8-BIT SHIFT REGISTERS WITH OUTPUT LATCHES



See page 464, 466

## 593

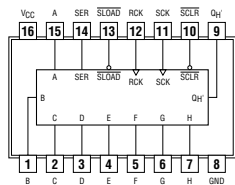
8-BIT BINARY COUNTERS WITH INPUT REGISTERS



See page 460

## 597

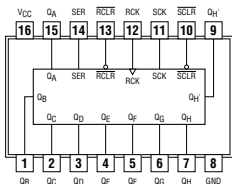
SERIAL-OUT SHIFT REGISTERS WITH INPUT LATCHES



See page 468

## 594

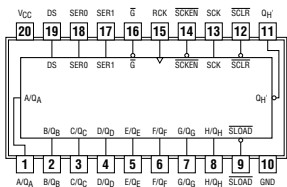
8-BIT SHIFT REGISTERS WITH OUTPUT REGISTERS



See page 462

## 598

8-BIT SHIFT REGISTERS WITH INPUT LATCHES

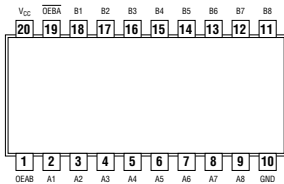


See page 470

## 620 OCTAL BUS TRANSCEIVERS WITH 3-STATE OUTPUTS

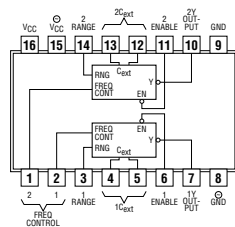
### 621 OCTAL BUS TRANSCEIVERS

### 623 OCTAL BUS TRANSCEIVERS WITH 3-STATE OUTPUTS



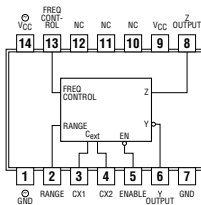
See page 472, 473, 474

## 629 DUAL VOLTAGE-CONTROLLED OSCILLATORS



See page 477

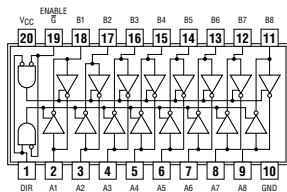
## 624 VOLTAGE-CONTROLLED OSCILLATORS



NC-No internal connection

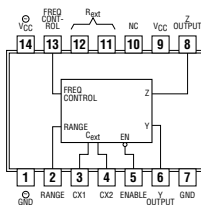
See page 475

## 638 OCTAL BUS TRANSCEIVERS



See page 478

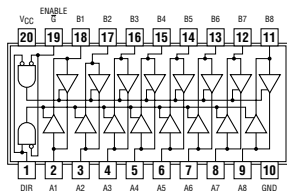
## 628 VOLTAGE-CONTROLLED OSCILLATORS



NC-No internal connection

See page 476

## 639 OCTAL BUS TRANSCEIVERS



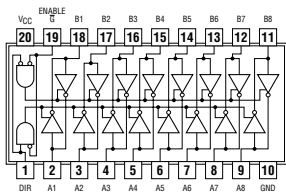
See page 479

## 640

OCTAL BUS TRANSCEIVERS WITH 3-STATE OUTPUTS

## 642

OCTAL BUS TRANSCEIVERS WITH OPEN-COLLECTOR OUTPUTS



See page 480, 482

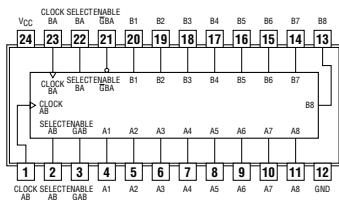
## 651

## 652

## 653

## 654

OCTAL BUS TRANSCEIVERS AND REGISTERS WITH 3-STATE OUTPUTS



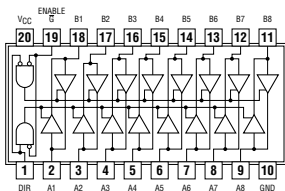
See page 490, 492, 494, 496

## 641

OCTAL BUS TRANSCEIVERS WITH OPEN-COLLECTOR OUTPUTS

## 645

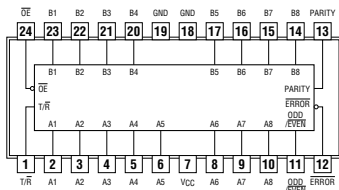
OCTAL BUS TRANSCEIVERS WITH 3-STATE OUTPUTS



See page 481, 483

## 657

OCTAL BUS TRANSCEIVERS WITH PARITY GENERATORS/CHECKERS AND 3-STATE OUTPUTS



See page 498

## 646

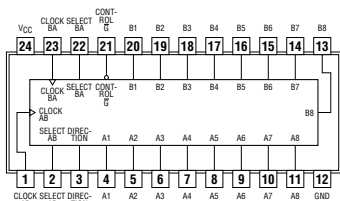
OCTAL BUS TRANSCEIVERS AND REGISTERS WITH 3-STATE OUTPUTS

## 647

OCTAL BUS TRANSCEIVERS AND REGISTERS WITH OPEN-COLLECTOR OUTPUTS

## 648

OCTAL BUS TRANSCEIVERS AND REGISTERS WITH 3-STATE OUTPUTS

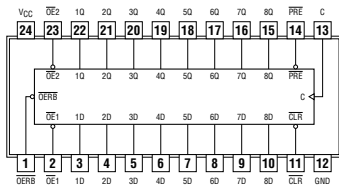


See page 484, 486, 488

## 666

## 667

8-BIT D-TYPE TRANSPARENT READ-BACK LATCHES WITH 3-STATE OUTPUTS

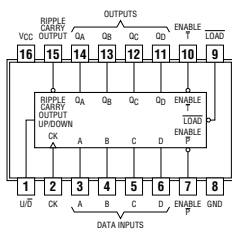


See page 500, 501

# Pin Assignments

## 669

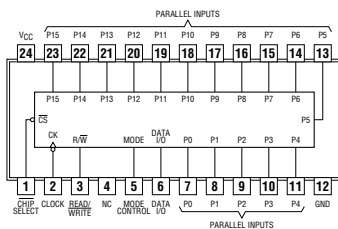
### SYNCHRONOUS 4-BIT UP/DOWN COUNTERS



See page 502

## 674

### 16-BIT SHIFT REGISTERS

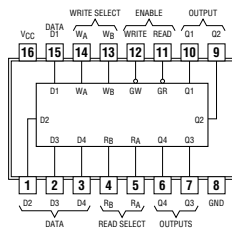


See page 508

NC-No internal connection

## 670

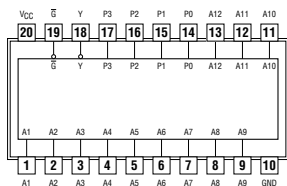
### 4-BY-4 REGISTER FILES WITH 3-STATE OUTPUTS



See page 504

## 679

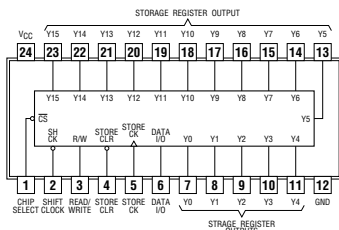
### 12-BIT ADDRESS COMPARATOR



See page 510

## 673

### 16-BIT SHIFT REGISTERS

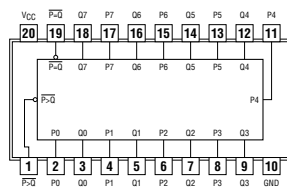


See page 506

## 682

## 684

### 8-BIT MAGNITUDE COMPARATORS

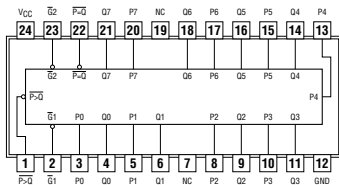


See page 512, 514

# Pin Assignments

## 686

### 8-BIT MAGNITUDE/IDENTITY COMPARATORS

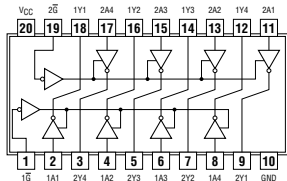


NC-No internal connection

See page 516

## 756

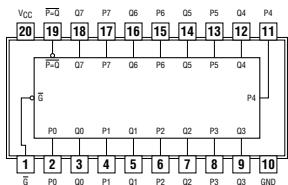
### OCTAL BUFFER/DRIVER WITH OPEN-COLLECTOR OUTPUTS



See page 524

## 688

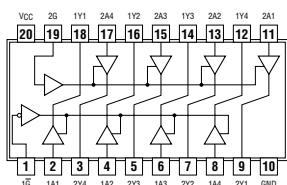
### 8-BIT IDENTITY COMPARATORS



See page 518

## 757

### OCTAL BUFFER/DRIVER WITH OPEN-COLLECTOR OUTPUTS

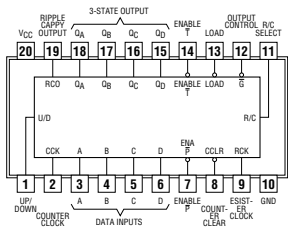


See page 525

## 697

## 699

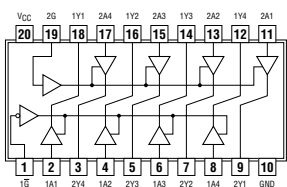
### SYNCHRONOUS UP/DOWN COUNTERS WITH OUTPUT REGISTERS AND MULTIPLEXED 3-STATE OUTPUTS



See page 520, 522

## 760

### OCTAL BUFFERS/DRIVERS WITH OPEN-COLLECTOR OUTPUTS



See page 526





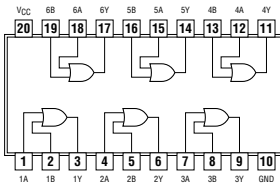
# Pin Assignments

## 832

### HEX 2-INPUT OR DRIVERS

positive logic:

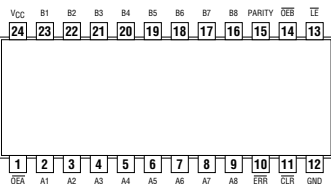
$$Y = A + B$$



See page 533

## 853

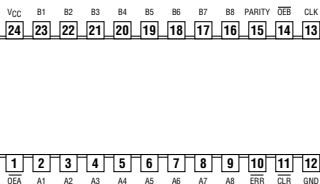
### 8-BIT TO 9-BIT PARITY BUS TRANSCEIVERS



See page 538

## 833

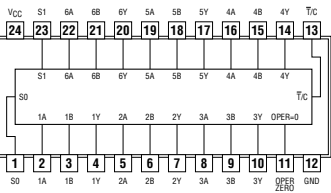
### 8-BIT TO 9-BIT PARITY BUS TRANSCEIVERS



See page 534

## 857

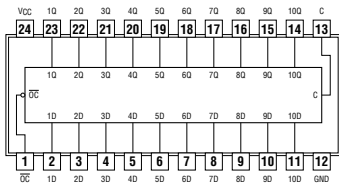
### HEX 2-TO-1 UNIVERSAL MULTIPLEXERS WITH 3-STATE OUTPUTS



See page 540

## 841

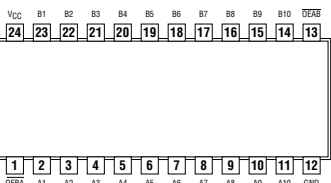
### 10-BIT BUS-INTERFACE D-TYPE LATCHES WITH 3-STATE OUTPUTS



See page 536

## 861

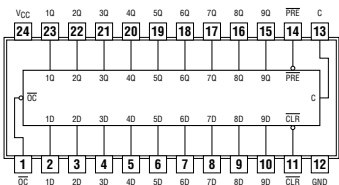
### 10-BIT TRANSCEIVERS WITH 3-STATE OUTPUTS



See page 542

## 843

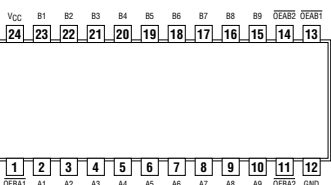
### 9-BIT BUS-INTERFACE D-TYPE LATCHES WITH 3-STATE OUTPUTS



See page 537

## 863

### 9-BIT BUS TRANSCEIVERS WITH 3-STATE OUTPUTS

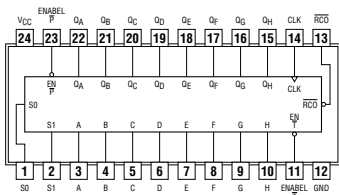


See page 543

## 867

### 869

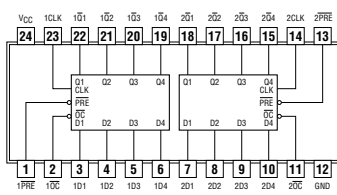
#### SYNCHRONOUS 8-BIT UP/DOWN COUNTERS



See page 544, 546

## 876

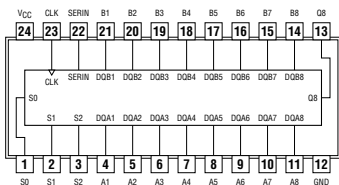
### DUAL 4-BIT D-TYPE EDGE-TRIGGERED FLIP-FLOPS WITH 3-STATE OUTPUTS



See page 552

## 870

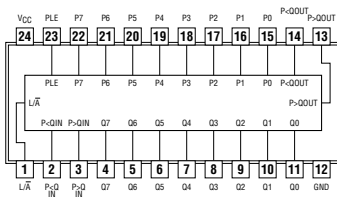
### DUAL 16-BY 4-BIT REGISTER FILES



See page 548

## 885

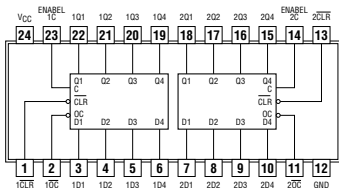
### 8-BIT MAGNITUDE COMPARATORS



See page 554

## 873

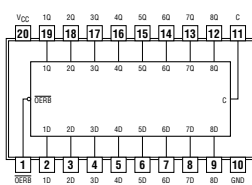
### DUAL 4-BIT D-TYPE LATCHES WITH 3-STATE OUTPUTS



See page 550

## 990

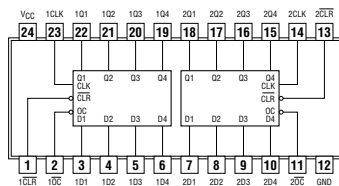
### 8-BIT D-TYPE TRANSPARENT READ-BACK LATCH



See page 556

## 874

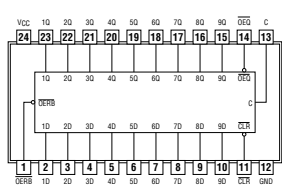
### DUAL 4-BIT D-TYPE EDGE-TRIGGERED FLIP-FLOPS WITH 3-STATE OUTPUTS



See page 551

## 992

### 9-BIT D-TYPE TRANSPARENT READ-BACK LATCH WITH 3-STATE OUTPUTS

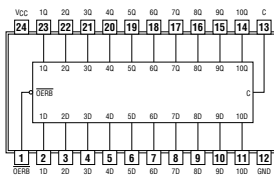


See page 557

# Pin Assignments

## 994

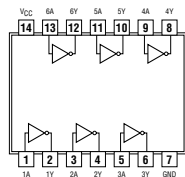
10-BIT D-TYPE TRANSPARENT READ-BACK LATCH



See page 558

## 1005

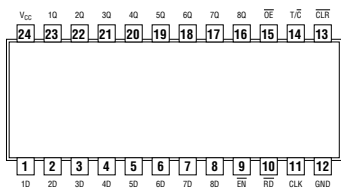
HEX INVERTING BUFFERS WITH OPEN-COLLECTOR OUTPUTS



See page 561

## 996

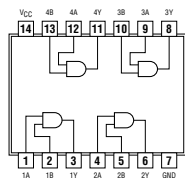
8-BIT D-TYPE EDGE-TRIGGERED READ-BACK LATCHES



See page 559

## 1008

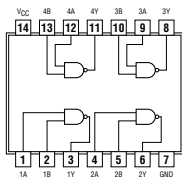
QUADRUPLE 2-INPUT POSITIVE-AND BUFFER/DRIVER



See page 561

## 1000

QUADRUPLE 2-INPUT POSITIVE-NAND BUFFERS/DRIVERS

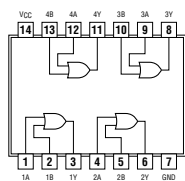


See page 560

## 1032

QUADRUPLE 2-INPUT POSITIVE-OR BUFFERS/DRIVERS

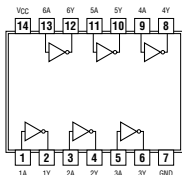
positive logic:  
 $Y = A + B$



See page 562

## 1004

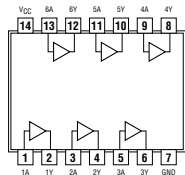
HEX INVERTING DRIVERS



See page 560

## 1034

HEX DRIVERS

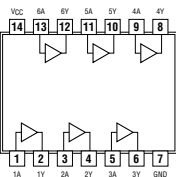


See page 562

# Pin Assignments

## 1035

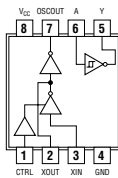
HEX NONINVERTING BUFFERS WITH OPEN-COLLECTOR OUTPUTS



See page 563

## 1404

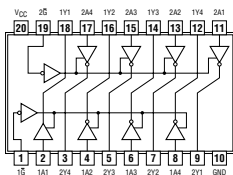
OSCILLATOR DRIVER FOR CRYSTAL OSCILLATOR OR CERAMIC RESONATOR



See page 565

## 1240

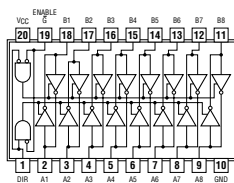
OCTAL BUFFER AND LINE DRIVER WITH 3-STATE OUTPUTS



See page 563

## 1640

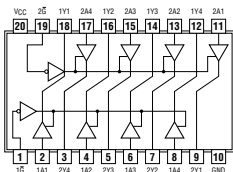
OCTAL BUS TRANSCEIVERS WITH 3-STATE OUTPUTS



See page 566

## 1244

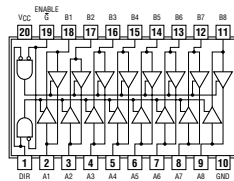
OCTAL BUFFERS AND DRIVERS WITH 3-STATE OUTPUTS



See page 564

## 1645

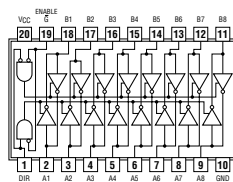
OCTAL BUS TRANSCEIVERS WITH 3-STATE OUTPUTS



See page 567

## 1245

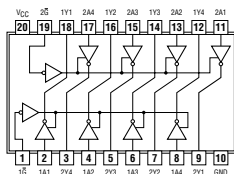
OCTAL BUS TRANSCEIVERS WITH 3-STATE OUTPUTS



See page 564

## 2240

OCTAL BUFFERS AND LINE/MOS DRIVERS WITH 3-STATE OUTPUTS

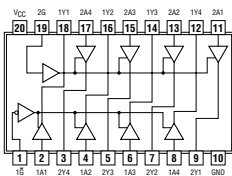


See page 568

# Pin Assignments

## 2241

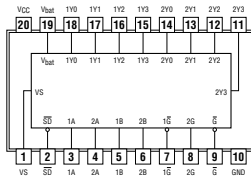
OCTAL BUFFERS AND LINE/MOS DRIVERS WITH 3-STATE OUTPUTS



See page 569

## 2414

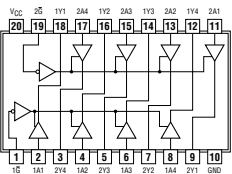
MEMORY DECODER WITH ON-CHIP SUPPLY VOLTAGE MONITOR



See page 573

## 2244

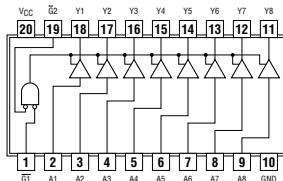
OCTAL BUFFERS AND LINE/MOS DRIVERS WITH 3-STATE OUTPUTS



See page 570

## 2541

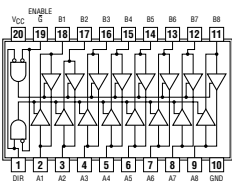
OCTAL LINE DRIVER/MOS DRIVER WITH 3-STATE OUTPUTS



See page 574

## 2245

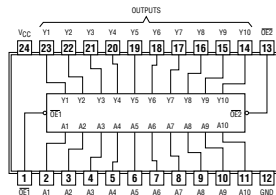
OCTAL TRANSCEIVER AND LINE/MOS DRIVERS WITH 3-STATE OUTPUTS



See page 571

## 2827

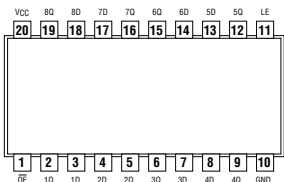
10-BIT BUFFERS/DRIVERS WITH 3-STATE OUTPUTS



See page 574

## 2373

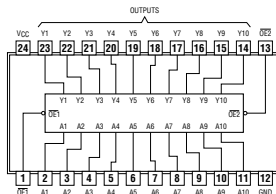
25-Ω OCTAL TRANSPARENT D-TYPE LATCH WITH 3-STATE OUTPUTS



See page 572

## 2828

10-BIT BUS/MOS MEMORY DRIVERS WITH 3-STATE INVERTING

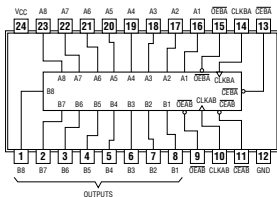


See page 575

# Pin Assignments

## 2952

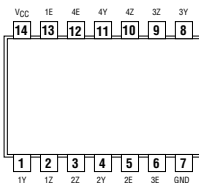
OCTAL BUS TRANSCEIVERS AND REGISTERS WITH 3-STATE OUTPUTS



See page 576

## 4016

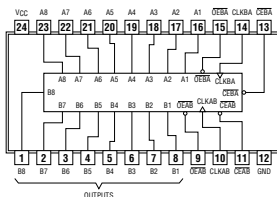
QUAD BILATERAL SWITCH



See page 581

## 2953

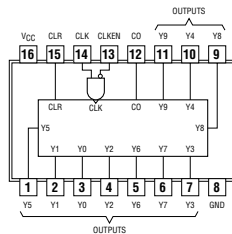
OCTAL BUS TRANSCEIVER AND REGISTER WITH 3-STATE OUTPUTS



See page 578

## 4017

DECADE COUNTERS/DIVIDER



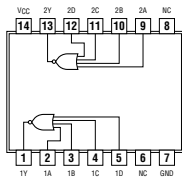
See page 582

## 4002

DUAL 4-INPUT POSITIVE-NOR GATES

positive logic:

$$Y = \overline{A + B + C + D}$$

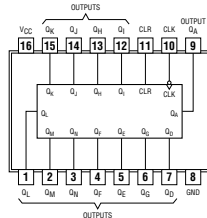


NC-No internal connection

See page 579

## 4020

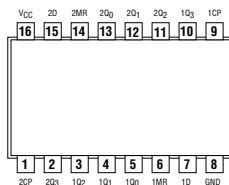
14-STAGE BINARY COUNTERS



See page 583

## 4015

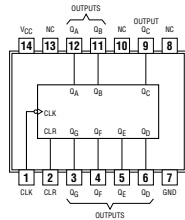
DUAL 4-STAGE STATIC SHIFT REGISTER



See page 580

## 4024

7-STAGE BINARY COUNTERS



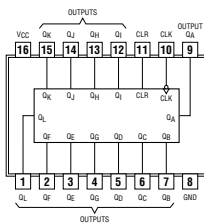
NC-No internal connection

See page 584

# Pin Assignments

## 4040

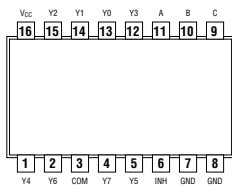
12-STAGE BINARY COUNTERS



See page 585

## 4051

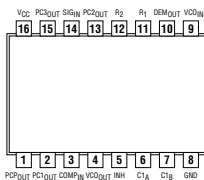
8-CHANNEL ANALOG  
MULTIPLEXERS/DEMULTIPLEXERS



See page 589

## 4046

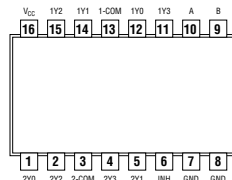
PHASE-LOCKED-LOOP WITH VCO



See page 586

## 4052

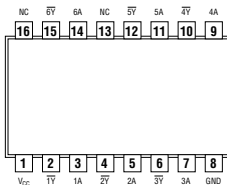
DUAL 4-CHANNEL ANALOG  
MULTIPLEXERS/DEMULTIPLEXERS



See page 590

## 4049

HEX INVERTING BUFFERS

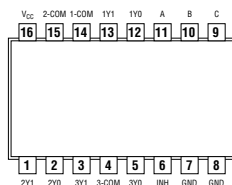


NC-No internal connection

See page 588

## 4053

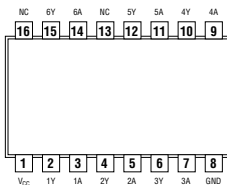
TRIPLE 2-CHANNEL ANALOG  
MULTIPLEXERS/DEMULTIPLEXERS



See page 591

## 4050

HEX NON-INVERTING BUFFERS

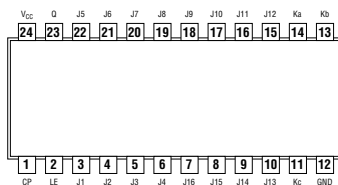


NC-No internal connection

See page 588

## 4059

CMOS PROGRAMMABLE DIVIDE-BY-N COUNTER

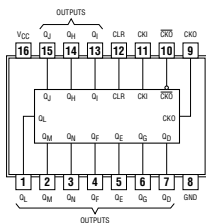


See page 592

# Pin Assignments

## 4060

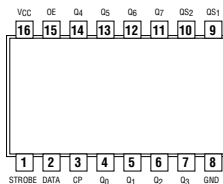
ASYNCHRONOUS 14-STAGE BINARY COUNTERS  
AND OSCILLATORS



See page 593

## 4094

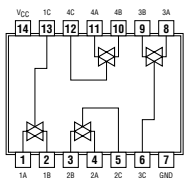
8-STAGE SHIFT AND STORE BUS REGISTER,  
THREE-STATE



See page 597

## 4066

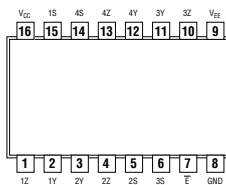
QUADRUPLE BILATERAL SWITCHES



See page 594

## 4316

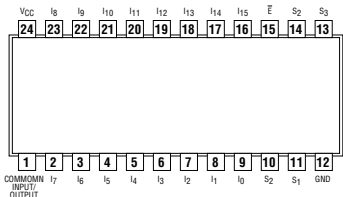
QUAD ANALOG SWITCH WITH LEVEL TRANSLATION



See page 598

## 4067

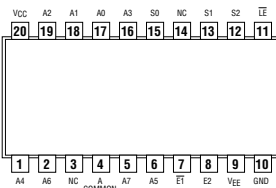
16-CHANNEL ANALOG MULTIPLEXER/DEMULTIPLEXER



See page 595

## 4351

ANALOG MULTIPLEXERS/DEMULTIPLEXERS  
WITH LATCH



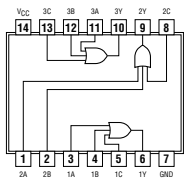
See page 599

NC-No internal connection

## 4075

TRIPLE 3-INPUT OR GATES

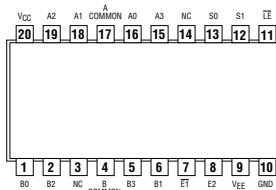
positive logic:  
 $Y = A + B + C$



See page 596

## 4352

ANALOG MULTIPLEXERS/DEMULTIPLEXERS  
WITH LATCH



See page 600

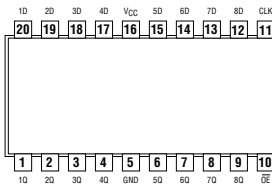
NC-No internal connection



# Pin Assignments

## 4374

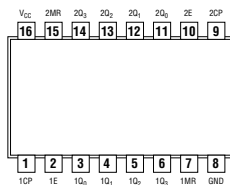
OCTAL EDGE-TRIGGERED D-TYPE DUAL-RANK  
FLIP-FLOP WITH 3-STAE OUTPUTS



See page 601

## 4518

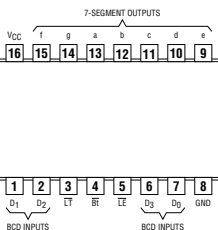
DUAL SYNCHRONOUS COUNTERS



See page 606

## 4511

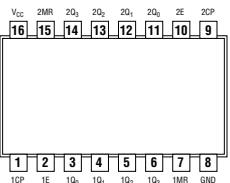
BCD-TO-7 SEGMENT LATCH/DECODER/DRIVERS



See page 602

## 4520

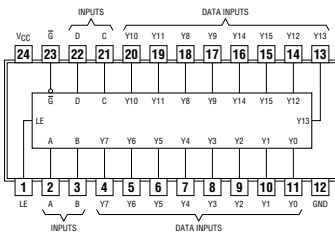
DUAL SYNCHRONOUS COUNTERS



See page 607

## 4514

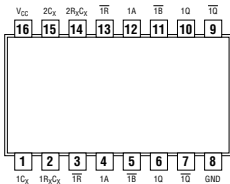
4-LINE TO 16-LINE DECODERS/DEMULTEPLEXERS WITH INPUT LATCHES



See page 604

## 4538

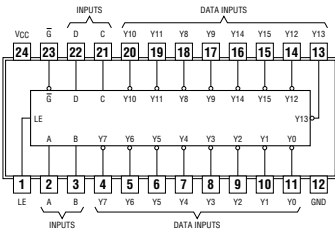
DUAL RETRIGGERABLE  
PRECISION MONO STABLE MULTIVIBRATOR



See page 608

## 4515

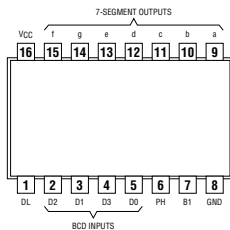
4-LINE TO 16-LINE DECODERS/DEMULTEPLEXERS WITH INPUT LATCHES



See page 605

## 4543

BCD-TO-7 SEGMENT LATCH/DECODER/DRIVERS

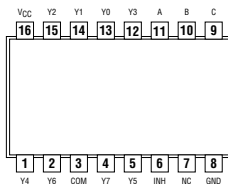


See page 610

# Pin Assignments

## 4851

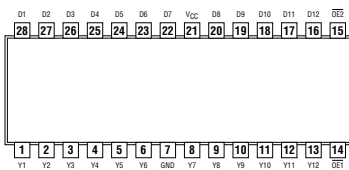
8-CHANNEL ANALOG MULTIPLEXER/DEMULTIPLEXER WITH INJECTION-CURRENT EFFECT CONTROL



See page 612

## 5402

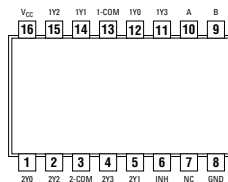
12-BIT LINE/MEMORY DRIVERS WITH 3-STATE OUTPUTS



See page 615

## 4852

DUAL 4-TO-1 CHANNEL ANALOG MULTIPLEXER/DEMULTIPLEXER WITH INJECTION-CURRENT EFFECT CONTROL

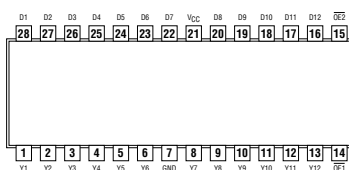


See page 612

NC-No internal connection

## 5403

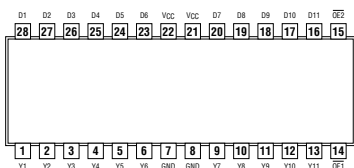
12-BIT LINE/MEMORY DRIVERS WITH 3-STATE OUTPUTS



See page 615

## 5400

11-BIT LINE/MEMORY DRIVERS WITH 3-STATE OUTPUTS

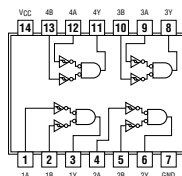


See page 614

## 7001

QUADRUPLE POSITIVE-AND GATES WITH SCHMITT-TRIGGER INPUTS

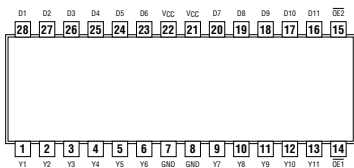
positive logic:  
 $Y = A \cdot B$



See page 616

## 5401

11-BIT LINE/MEMORY DRIVERS WITH 3-STATE OUTPUTS

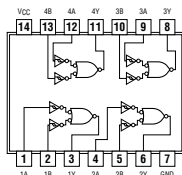


See page 614

## 7002

QUADRUPLE POSITIVE-NOR GATES WITH SCHMITT-TRIGGER INPUTS

positive logic:  
 $Y = A + B$



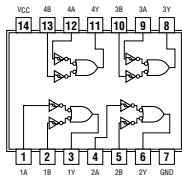
See page 616

## 7032

### QUADRUPLE POSITIVE-OR GATES WITH SCHMITT-TRIGGER INPUTS

positive logic:

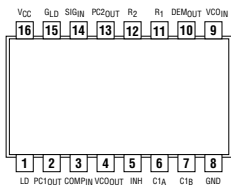
$$Y = A + B$$



See page 617

## 7046

### PHASE-LOCKED LOOP WITH VCO AND LOCK DETECTOR



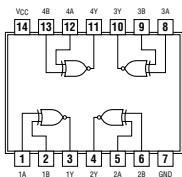
See page 618

## 7266

### QUAD 2-INPUT EXCLUSIVE-NOR GATES

positive logic:

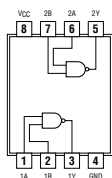
$$Y = \overline{A} \oplus \overline{B}$$



See page 619

## 8003

### DUAL 2-INPUT POSITIVE-NAND GATES

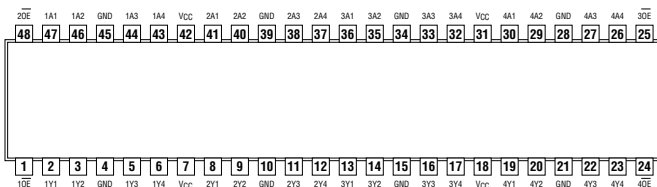


See page 619

# Pin Assignments

## 16240

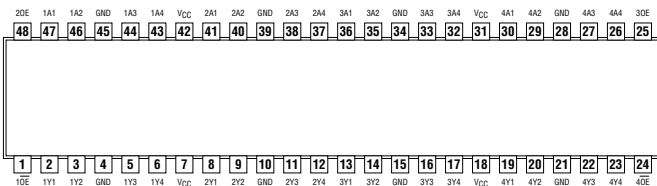
16-BIT BUS BUFFERS/DRIVERS  
WITH 3-STATE OUTPUTS



See page 620

## 16241

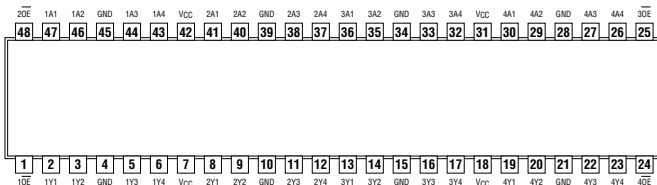
16-BIT BUS BUFFERS/DRIVERS  
WITH 3-STATE OUTPUTS



See page 622

## 16244

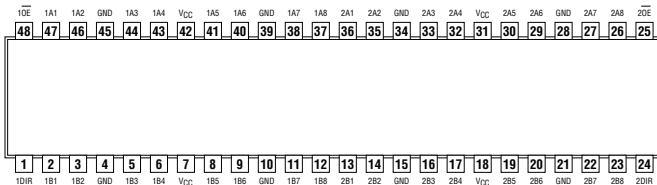
16-BIT BUS BUFFERS/DRIVERS  
WITH 3-STATE OUTPUTS



See page 624

## 16245

16-BIT BUS TRANSCEIVER  
WITH 3-STATE OUTPUTS

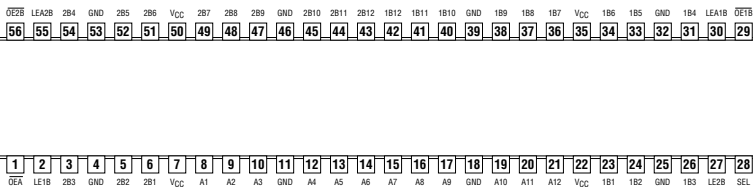


See page 626

# Pin Assignments

## 16260

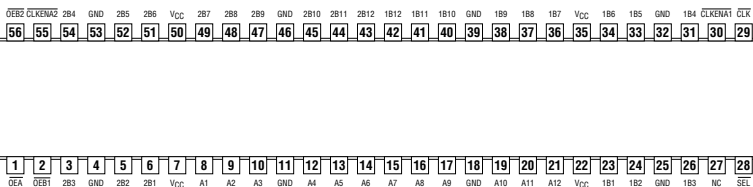
12-BIT TO 24-BIT MULTIPLEXED D-TYPE LATCH  
WITH 3-STATE OUTPUTS



See page 628

## 16269

12-BIT TO 24-BIT REGISTERED BUS TRANSCEIVER  
WITH 3-STATE OUTPUTS

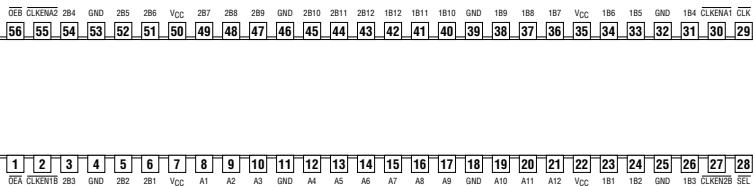


See page 630

NC-No internal connection

## 16270

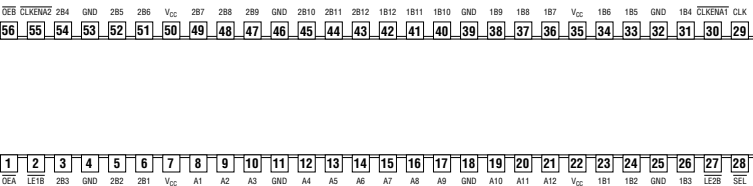
12-BIT TO 24-BIT REGISTERED BUS EXCHANGER  
WITH 3-STATE OUTPUTS



See page 632

## 16271

12-BIT TO 24-BIT MULTIPLEXED BUS EXCHANGER  
WITH 3-STATE OUTPUTS

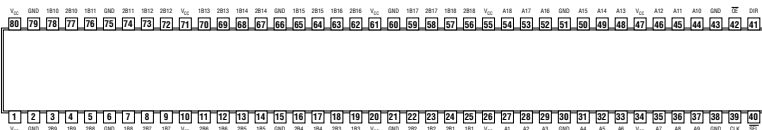


See page 634

# Pin Assignments

## 16282

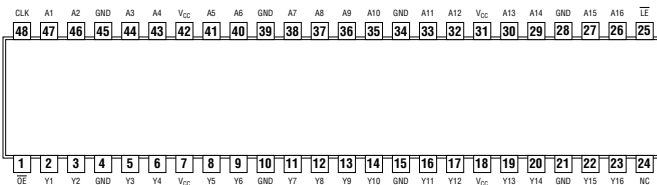
18-BIT TO 36-BIT REGISTERED BUS EXCHANGER  
WITH 3-STATE OUTPUTS



See page 636

## 16344

16-BIT UNIVERSAL BUS DRIVER  
WITH 3-STATE OUTPUTS

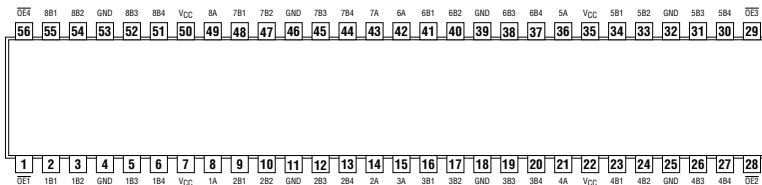


NC-No internal connection

See page 638

## 16344

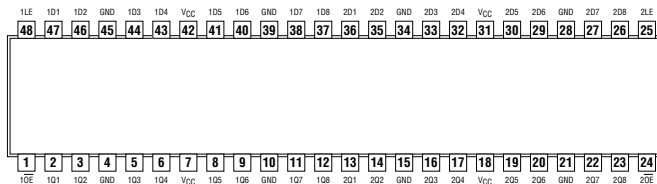
1-BIT TO 4-BIT ADDRESS DRIVER  
WITH 3-STATE OUTPUTS



See page 640

## 16373

16-BIT TRANSPARENT LATCHES  
WITH 3-STATE OUTPUTS

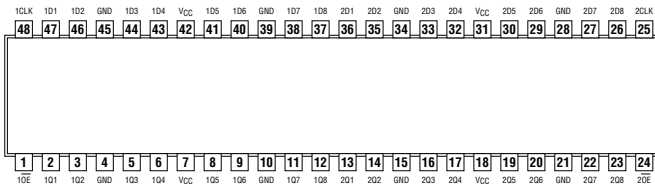


See page 642

# Pin Assignments

## 16374

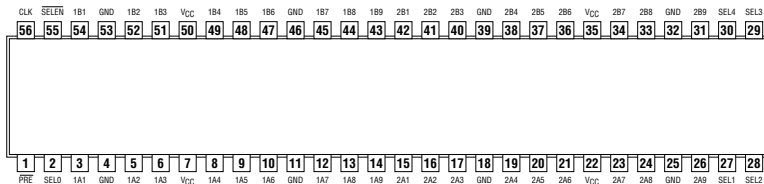
16-BIT EDGE-TRIGGERED D-TYPE FLIP-FLOPS  
WITH 3-STATE OUTPUTS



See page 644

## 16409

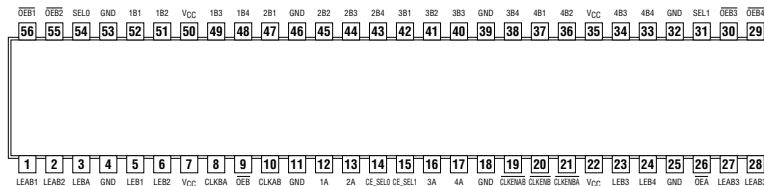
9-BIT, 4-PORT UNIVERSAL BUS EXCHANGER  
WITH 3-STATE OUTPUTS



See page 646

## 16460

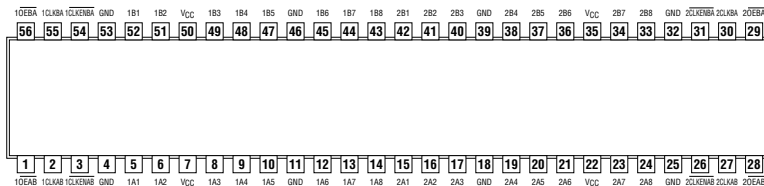
4-TO-1 MULTIPLEXED/DEMULPLEXED TRANSCEIVERS  
WITH 3-STATE OUTPUTS



See page 648

## 16470

16-BIT REGISTERED TRANSCEIVERS  
WITH 3-STATE OUTPUTS

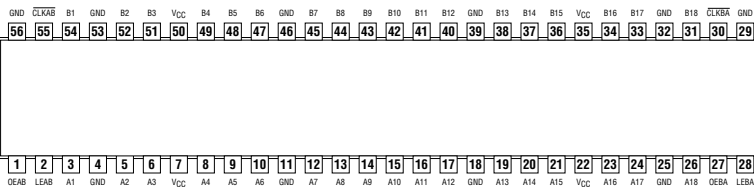


See page 650

# Pin Assignments

## 16500

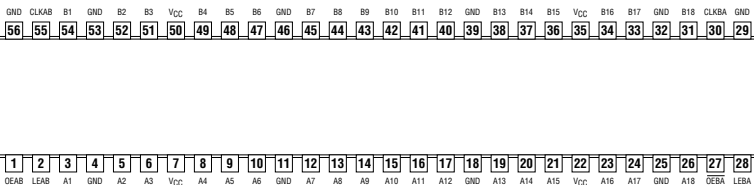
18-BIT UNIVERSAL BUS TRANSCEIVER  
WITH 3-STATE OUTPUTS



See page 652

## 16501

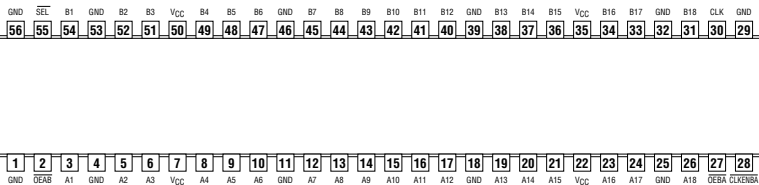
18-BIT UNIVERSAL BUS TRANSCEIVER  
WITH 3-STATE OUTPUTS



See page 654

## 16524

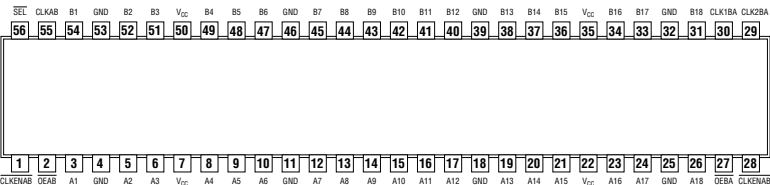
18-BIT REGISTERED BUS TRANSCEIVER  
WITH 3-STATE OUTPUTS



See page 656

## 16525

18-BIT REGISTERED BUS TRANSCEIVER  
WITH 3-STATE OUTPUTS



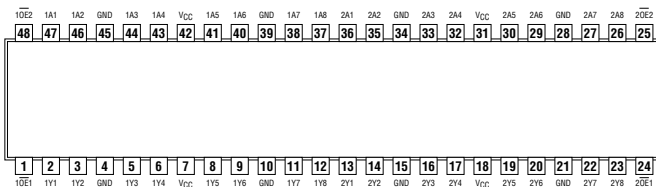
See page 656



# Pin Assignments

## 16540

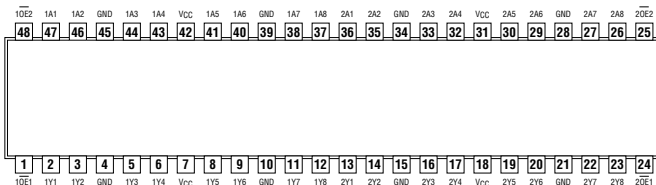
16-BIT BUFFERS/DRIVERS  
WITH 3-STATE OUTPUTS



See page 660

## 16541

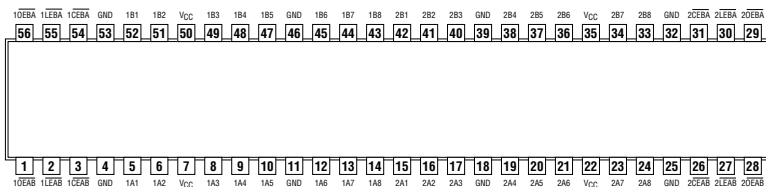
16-BIT BUFFERS/DRIVERS  
WITH 3-STATE OUTPUTS



See page 661

## 16543

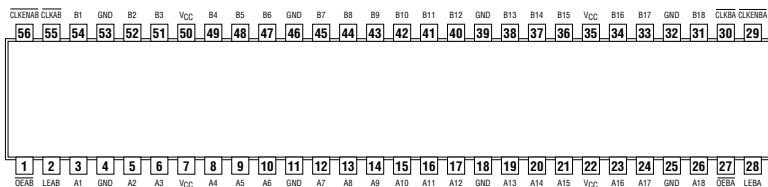
16-BIT REGISTERED TRANSCEIVERS  
WITH 3-STATE OUTPUTS



See page 662

## 16600

18-BIT UNIVERSAL BUS TRANSCEIVERS  
WITH 3-STATE OUTPUTS

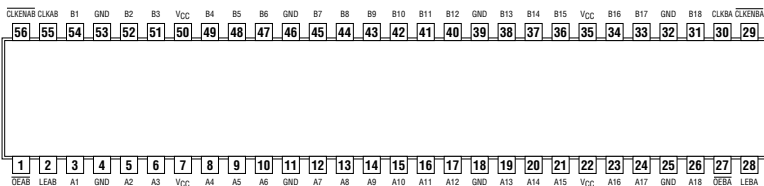


See page 664

# Pin Assignments

## 16601

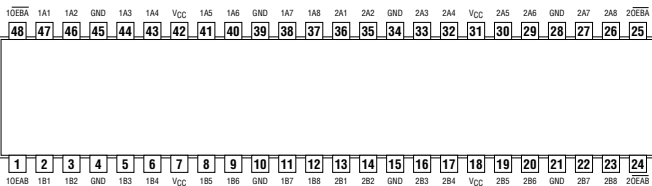
18-BIT UNIVERSAL BUS TRANSCEIVERS  
WITH 3-STATE OUTPUTS



See page 666

## 16620

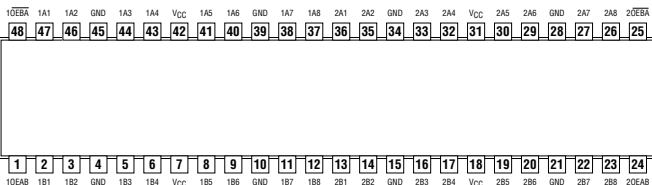
16-BIT BUS TRANSCEIVERS  
WITH 3-STATE OUTPUTS



See page 668

## 16623

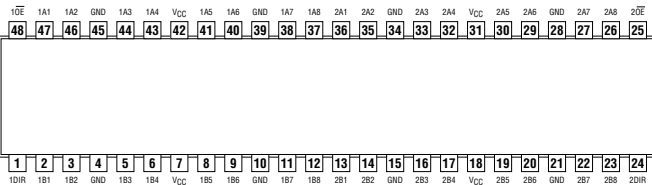
16-BIT BUS TRANSCEIVERS  
WITH 3-STATE OUTPUTS



See page 670

## 16640

16-BIT BUS TRANSCEIVER  
WITH 3-STATE OUTPUTS

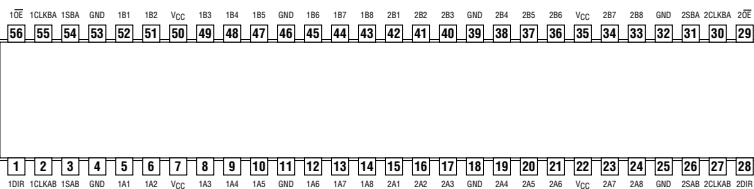


See page 671

# Pin Assignments

## 16646

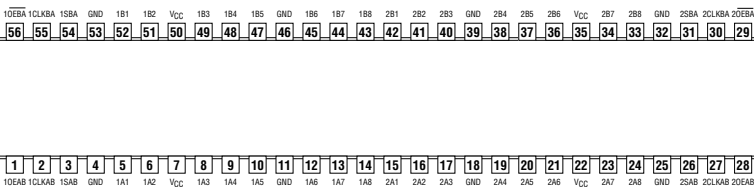
### 16-BIT BUS TRANSCEIVERS AND REGISTERS WITH 3-STATE OUTPUTS



See page 672

## 16651

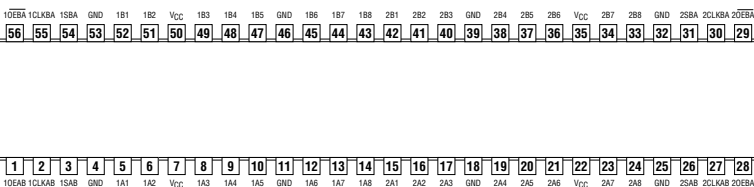
### 16-BIT BUS TRANSCEIVERS AND REGISTERS WITH 3-STATE OUTPUTS



See page 674

## 16652

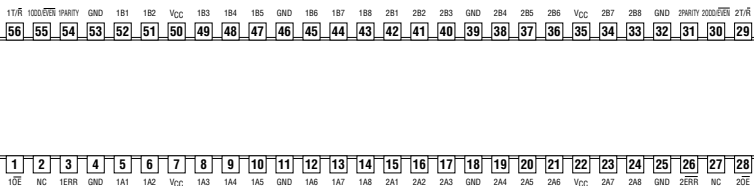
### 16-BIT BUS TRANSCEIVERS AND REGISTERS WITH 3-STATE OUTPUTS



See page 676

## 16657

### 16-BIT TRANSCEIVERS WITH PARITY GENERATORS/CHECKERS AND 3-STATE OUTPUTS



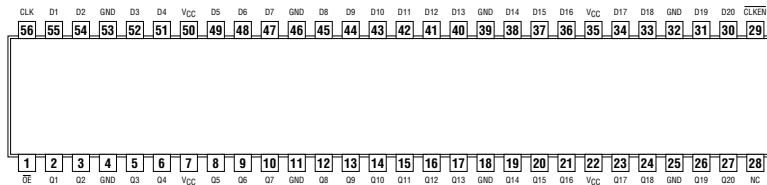
See page 678

NC-No internal connection

# Pin Assignments

## 16721

20-BIT FLIP-FLOP  
WITH 3-STATE OUTPUTS

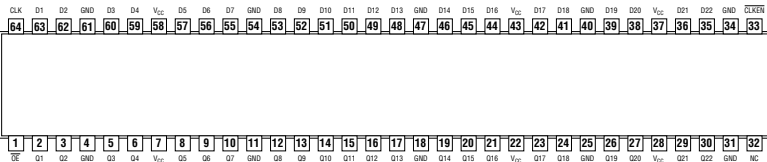


See page 680

NC-No internal connection

## 16722

22-BIT FLIP-FLOP WITH 3-STATE OUTPUTS

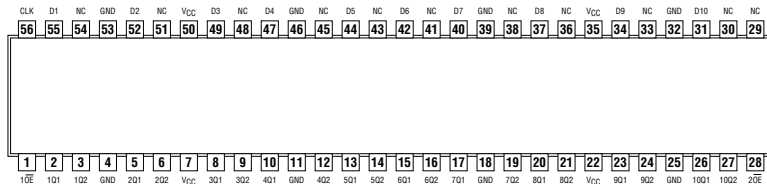


See page 681

NC-No internal connection

## 16820

10-BIT EDGE-TRIGGERED D-TYPE FLIP-FLOPS  
WITH DUAL OUTPUTS

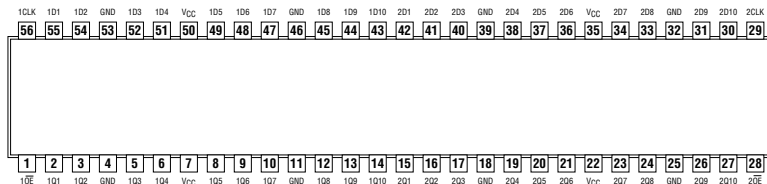


See page 682

NC-No internal connection

## 16821

20-BIT BUS INTERFACE FLIP-FLOPS  
WITH 3-STATE OUTPUTS

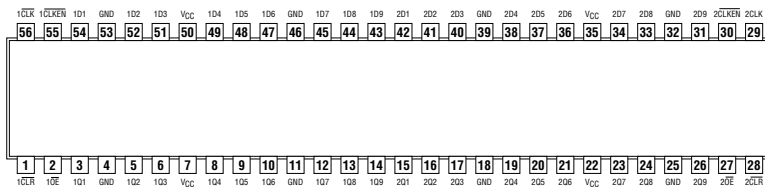


See page 683

# Pin Assignments

## 16823

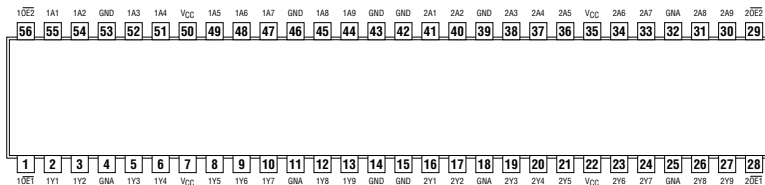
18-BIT EDGE-TRIGGERED D-TYPE FLIP-FLOPS  
WITH DUAL OUTPUTS



See page 684

## 16825

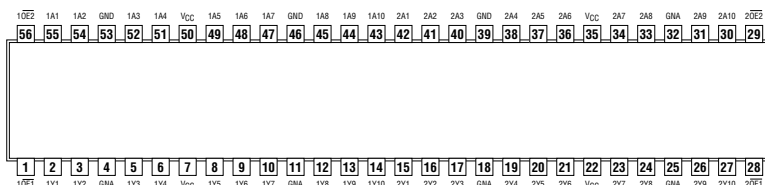
18-BIT BUS BUFFERS/DRIVERS  
WITH 3-STATE OUTPUTS



See page 685

## 16827

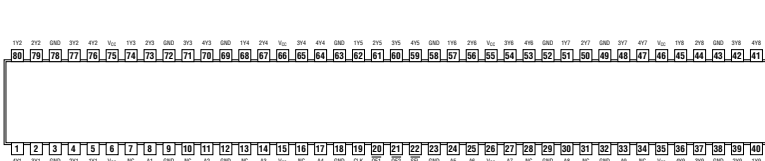
20-BIT BUS BUFFERS/DRIVERS  
WITH 3-STATE OUTPUTS



See page 686

## 16831

1-TO-4 ADDRESS REGISTER/DRIVER  
WITH 3-STATE OUTPUTS



See page 688

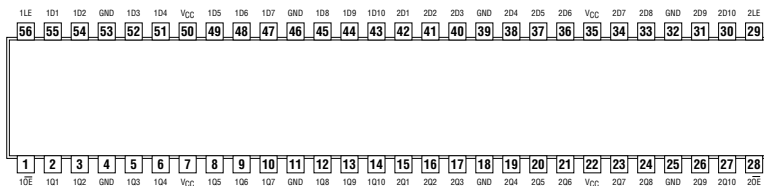
NC-No internal connection



# Pin Assignments

## 16841

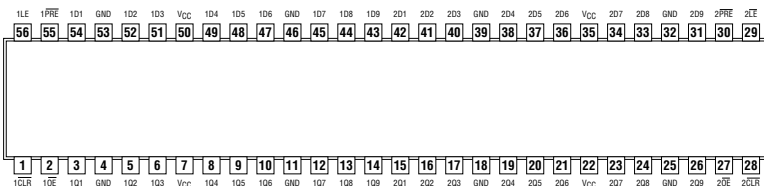
20-BIT BUS INTERFACE D-TYPE LATCHES  
WITH 3-STATE OUTPUTS



See page 694

## 16843

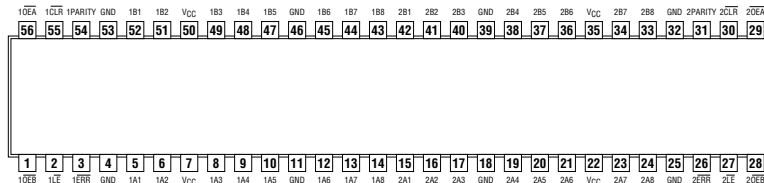
18-BIT BUS INTERFACE D-TYPE LATCHES WITH 3-STATE OUTPUTS



See page 695

## 16853

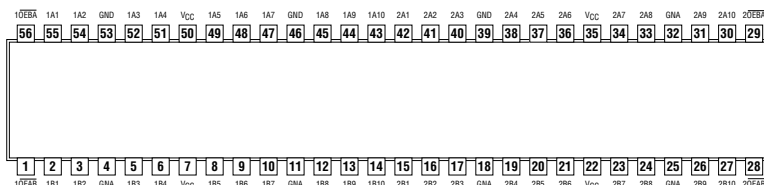
DUAL 8-BIT TO 9-BIT PARITY BUS TRANSCEIVERS



See page 696

## 16861

20-BIT BUS TRANSCEIVERS WITH 3-STATE OUTPUTS



See page 698

# Pin Assignments

## 16863

18-BIT BUS TRANSCEIVERS  
WITH 3-STATE OUTPUTS

10EBA	1A1	1A2	GND	1A3	1A4	V <sub>CC</sub>	1A5	1A6	1A7	GND	1A8	1A9	GND	GND	2A1	2A2	GND	2A3	2A4	2A5	V <sub>CC</sub>	2A6	2A7	GNA	2A8	2A9	20EBA
56	55	54	53	52	51	50	49	48	47	46	45	44	43	42	41	40	39	38	37	36	35	34	33	32	31	30	29
1	2	3	4	5	6	7	8	9	10	11	12	13	14	15	16	17	18	19	20	21	22	23	24	25	26	27	28
10EAB	1B1	1B2	GNA	1B3	1B4	V <sub>CC</sub>	1B5	1B6	1B7	GNA	1B8	1B9	GND	GND	2B1	2B2	GNA	2B3	2B4	2B5	V <sub>CC</sub>	2B6	2B7	GNA	2B8	2B9	20EAB

See page 699

## 16901

18-BIT UNIVERSAL BUS TRANSCEIVER  
WITH PARITY GENERATORS/CHECKERS

10LXBA	LEBA	CLKBA	1ERRB	1BPAP	GND	1B1	1B2	1B3	V <sub>CC</sub>	1B4	1B5	1B6	GND	1B7	1B8	2B1	2B2	GND	2B3	2B4	2B5	V <sub>CC</sub>	2B6	2B7	2B8	GND	2BPAP	2ERRB	DEBA	00ERR	20LXBA		
64	63	62	61	60	59	58	57	56	55	54	53	52	51	50	49	48	47	46	45	44	43	42	41	40	39	38	37	36	35	34	33		
1	2	3	4	5	6	7	8	9	10	11	12	13	14	15	16	17	18	19	20	21	22	23	24	25	26	27	28	29	30	31	32		
10LXBB	LEAB	CLKAB	1ERRA	1APAP	GND	1A1	1A2	1A3	V <sub>CC</sub>	1A4	1A5	1A6	GND	1A7	1A8	2A1	2A2	GND	2A3	2A4	2A5	V <sub>CC</sub>	2A6	2A7	2A8	GND	2APAP	2ERRA	DEAB	SEL	20LXBA		

See page 700

## 16903

3.3-V 12-BIT UNIVERSAL BUS DRIVER  
WITH PARITY CHECKER AND DUAL 3-STATE OUTPUTS

CLK	1A	11A	1ERRN	GND	11Y1	11Y2	V <sub>CC</sub>	2A	3A	4A	GND	12A	12Y1	12Y2	5A	6A	7A	GND	APAR	8A	1ERR	V <sub>CC</sub>	9A	MODE	GND	10A	PARV0	CLKEN
56	55	54	53	52	51	50	49	48	47	46	45	44	43	42	41	40	39	38	37	36	35	34	33	32	31	30	29	
1	2	3	4	5	6	7	8	9	10	11	12	13	14	15	16	17	18	19	20	21	22	23	24	25	26	27	28	
0E	1Y1	1Y2	GND	2Y1	2Y2	V <sub>CC</sub>	3Y1	3Y2	4Y1	GND	4Y2	5Y1	5Y2	6Y1	6Y2	7Y1	GND	7Y2	8Y1	8Y2	V <sub>CC</sub>	9Y1	9Y2	GND	10Y1	10Y2	PARDE	

See page 702

## 16952

16-BIT REGISTERED TRANSCEIVERS  
WITH 3-STATE OUTPUTS

10EBA	1CLXBA	2CLXBA	GND	1B1	1B2	V <sub>CC</sub>	1B3	1B4	1B5	GND	1B6	1B7	1B8	2B1	2B2	2B3	GND	2B4	2B5	2B6	V <sub>CC</sub>	2B7	2B8	GND	2CLXBA	2CLXBA	20EBA	
56	55	54	53	52	51	50	49	48	47	46	45	44	43	42	41	40	39	38	37	36	35	34	33	32	31	30	29	
1	2	3	4	5	6	7	8	9	10	11	12	13	14	15	16	17	18	19	20	21	22	23	24	25	26	27	28	
10EAB	1CLXBB	2CLXBB	GND	1A1	1A2	V <sub>CC</sub>	1A3	1A4	1A5	GND	1A6	1A7	1A8	2A1	2A2	2A3	GND	2A4	2A5	2A6	V <sub>CC</sub>	2A7	2A8	GND	2CLXBB	2CLXBB	20EAB	

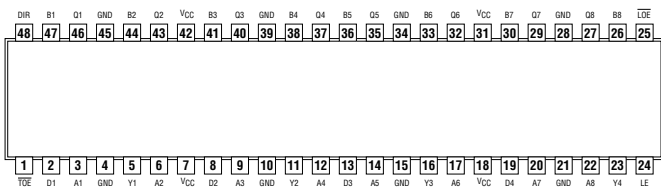
See page 704



# Pin Assignments

## 16973

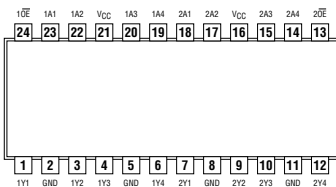
8-BIT BUS TRANSCEIVER AND TRANSPARENT D-TYPE LATCH  
WITH FOUR INDEPENDENT BUFFERS



See page 706

## 25244

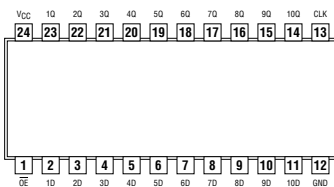
25-Ω OCTAL BUFFER/DRIVER WITH 3-STATE OUTPUTS



See page 708

## 29821

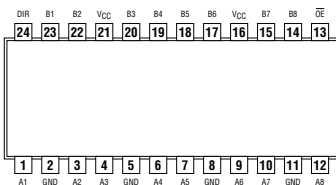
10-BIT BUS-INTERFACE FLIP-FLOPS WITH 3-STATE OUTPUTS



See page 711

## 25245

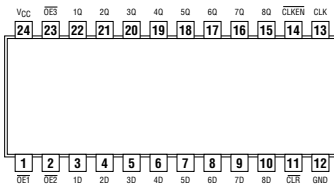
25-Ω OCTAL BUS TRANSCEIVERS WITH 3-STATE OUTPUTS



See page 709

## 29825

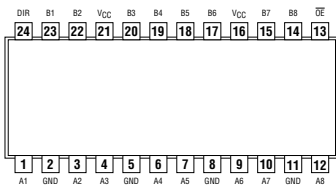
8-BIT BUS-INTERFACE FLIP-FLOPS WITH 3-STATE OUTPUTS



See page 712

## 25642

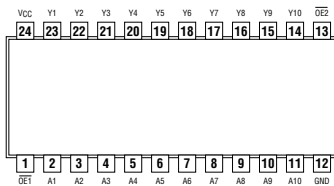
25-Ω OCTAL BUS TRANSCEIVER



See page 710

## 29827

29828  
10-BIT BUFFERS/DRIVERS WITH 3-STATE OUTPUTS

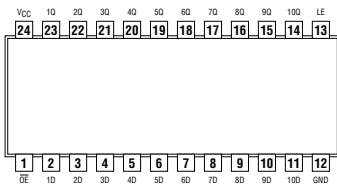


See page 713, 714

# Pin Assignments

## 29841

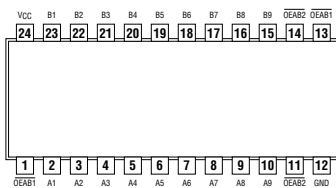
10-BIT BUS INTERFACE D-TYPE LATCHES WITH 3-STATE OUTPUTS



See page 715

## 29864

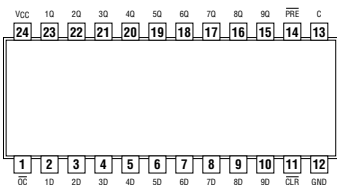
9-BIT BUS TRANSCEIVER WITH 3-STATE OUTPUTS



See page 721

## 29843

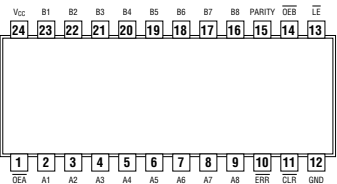
9-BIT BUS INTERFACE D-TYPE LATCHES WITH 3-STATE OUTPUTS



See page 716

## 29854

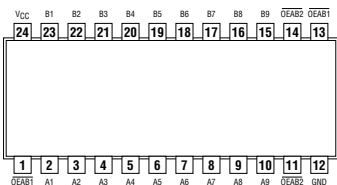
8-BIT TO 9-BIT PARITY BUS TRANSCEIVER



See page 718

## 29863

9-BIT BUS TRANSCEIVERS WITH 3-STATE OUTPUTS



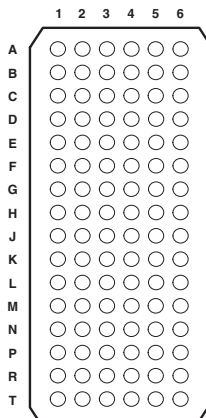
See page 720

# Pin Assignments

## 32240

32-BIT BUFFER/DRIVER

GKE PACKAGE  
(TOP VIEW)



terminal assignments

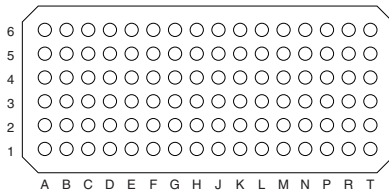
	1	2	3	4	5	6
A	1Y2	1Y1	1OE	2OE	1A1	1A2
B	1Y4	1Y3	GND	GND	1A3	1A4
C	2Y2	2Y1	1V <sub>CC</sub>	1V <sub>CC</sub>	2A1	2A2
D	2Y2	2Y3	GND	GND	2A3	2A4
E	3Y2	3Y1	GND	GND	3A1	3A2
F	3Y4	3Y3	1V <sub>CC</sub>	1V <sub>CC</sub>	3A3	3A4
G	4Y2	4Y1	GND	GND	4A1	4A2
H	4Y3	4Y4	4OE	3OE	4A4	4A3
J	5Y2	5Y1	5OE	6OE	5A1	5A2
K	5Y4	5Y3	GND	GND	5A3	5A4
L	6Y2	6Y1	2V <sub>CC</sub>	2V <sub>CC</sub>	6A1	6A2
M	6Y4	6Y3	GND	GND	6A3	6A4
N	7Y2	7Y1	GND	GND	7A1	7A2
P	7Y4	7Y3	2V <sub>CC</sub>	2V <sub>CC</sub>	7A3	7A4
R	8Y2	8Y1	GND	GND	8A1	8A2
T	8Y3	8Y4	8OE	7OE	8A4	8A3

See page 722

## 32244

32-BIT BUFFER/DRIVER  
WITH 3-STATE OUTPUTS

GKE PACKAGE  
(TOP VIEW)



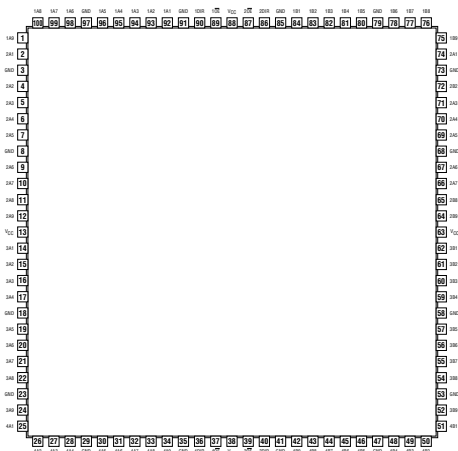
6	1A2	1A4	2A2	2A4	3A2	3A4	4A2	4A3	5A2	5A4	6A2	6A4	7A2	7A4	8A2	8A3
5	1A1	1A3	2A1	2A3	3A1	3A3	4A1	4A4	5A1	5A3	6A1	6A3	7A1	7A3	8A1	8A4
4	2OE	GND	V <sub>CC</sub>	GND	GND	V <sub>CC</sub>	GND	3OE	6OE	GND	V <sub>CC</sub>	GND	GND	V <sub>CC</sub>	GND	7OE
3	1OE	GND	V <sub>CC</sub>	GND	GND	V <sub>CC</sub>	GND	4OE	5DIR	GND	V <sub>CC</sub>	GND	GND	V <sub>CC</sub>	GND	8DIR
2	1Y1	1Y3	2Y1	2Y3	3Y1	3Y3	4Y1	4Y4	5Y1	5Y3	6Y1	6Y3	7Y1	7Y3	8Y1	8Y4
1	1Y2	1Y4	2Y2	2Y4	3Y2	3Y4	4Y2	4Y3	5Y2	5Y4	6Y2	6Y4	7Y2	7Y4	8Y2	8Y3
	A	B	C	D	E	F	G	H	J	K	L	M	N	P	R	T

See page 724

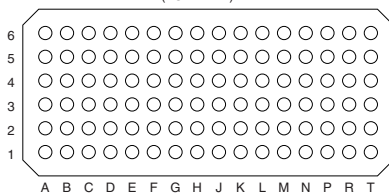
# Pin Assignments

## 32245

32-BIT BUS TRANSCEIVER  
WITH 3-STATE OUTPUTS



GKE PACKAGE  
(TOP VIEW)

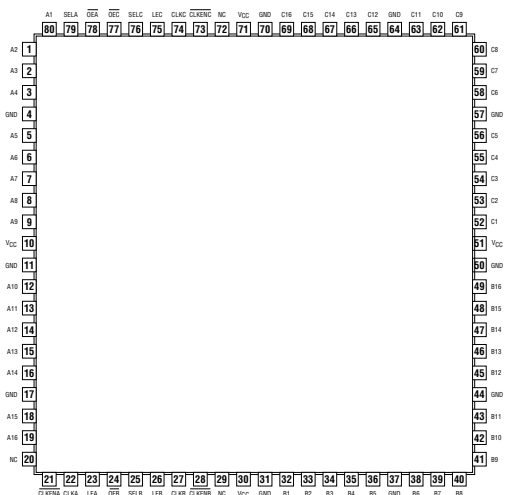


6	1A2	1A4	1A6	1A8	2A2	2A4	2A6	2A7	3A2	3A4	3A6	3A8	4A2	4A4	4A6	4A7
5	1A1	1A3	1A5	1A7	2A1	2A3	2A5	2A8	3A1	3A3	3A5	3A7	4A1	4A3	4A5	4A8
4	$\overline{1OE}$	GND	$V_{CC}$	GND	GND	$V_{CC}$	GND	$\overline{2OE}$	$\overline{3OE}$	GND	$V_{CC}$	GND	GND	$V_{CC}$	GND	$\overline{4OE}$
3	1DIR	GND	$V_{CC}$	GND	GND	$V_{CC}$	GND	2DIR	3DIR	GND	$V_{CC}$	GND	GND	$V_{CC}$	GND	4DIR
2	1B1	1B3	1B5	1B7	2B1	2B3	2B5	2B8	3B1	3B3	3B5	3B7	4B1	4B3	4B5	4B8
1	1B2	1B4	1B6	1B8	2B2	2B4	2B6	2B7	3B2	3B4	3B6	3B8	4B2	4B4	4B6	4B7
	A	B	C	D	E	F	G	H	J	K	L	M	N	P	R	T

# Pin Assignments

## 32316

### 16-BIT TRI-PORT UNIVERSAL BUS EXCHANGERS

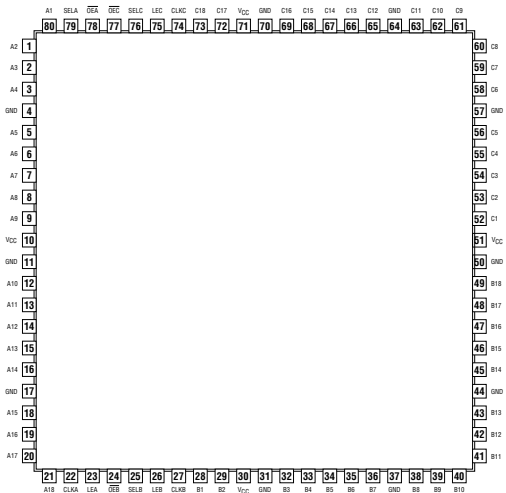


See page 728

NC-No internal connection

## 32318

### 18-BIT TRI-PORT UNIVERSAL BUS EXCHANGERS



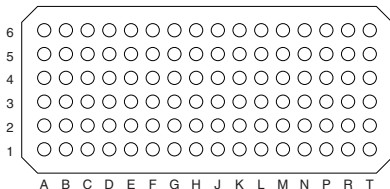
See page 730

# Pin Assignments

## 32373

32-BIT TRANSPARENT D-TYPE LATCH  
WITH 3-STATE OUTPUTS

GKE PACKAGE  
(TOP VIEW)



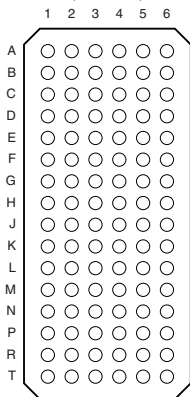
6	1D2	1D4	1D6	1D8	2D2	2D4	2D6	2D7	3D2	3D4	3D6	3D8	4D2	4D4	4D6	4D7
5	1D1	1D3	1D5	1D7	2D1	2D3	2D5	2D8	3D1	3D3	3D5	3D7	4D1	4D3	4D5	4D8
4	1LE	GND	V <sub>CC</sub>	GND	GND	V <sub>CC</sub>	GND	2LE	3LE	GND	V <sub>CC</sub>	GND	GND	V <sub>CC</sub>	GND	4LE
3	1OE	GND	V <sub>CC</sub>	GND	GND	V <sub>CC</sub>	GND	2OE	3OE	GND	V <sub>CC</sub>	GND	GND	V <sub>CC</sub>	GND	4OE
2	1Q1	1Q3	1Q5	1Q7	2Q1	2Q3	2Q5	2Q8	3Q1	3Q3	3Q5	3Q7	4Q1	4Q3	4Q5	4Q8
1	1Q2	1Q4	1Q6	1Q8	2Q2	2Q4	2Q6	2Q7	3Q2	3Q4	3Q6	3Q8	4Q2	4Q4	4Q6	4Q7
	A	B	C	D	E	F	G	H	J	K	L	M	N	P	R	T

See page 732

## 32374

32-BIT EDGE-TRIGGERED D-TYPE FLIP-FLOP  
WITH 3-STATE OUTPUTS

GKE PACKAGE  
(TOP VIEW)



terminal assignments

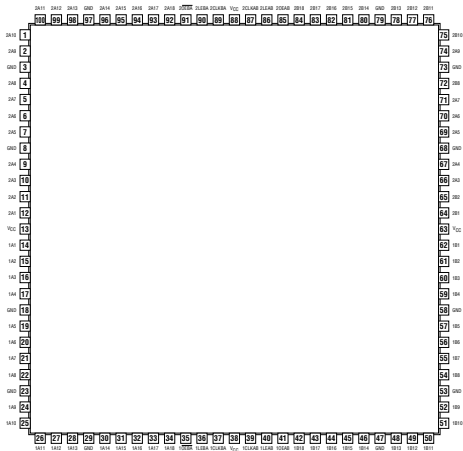
	1	2	3	4	5	6
A	1Q2	1Q1	1OE	1CLK	1D1	1D2
B	1Q4	1Q3	GND	GND	1D3	1D4
C	1Q6	1Q5	V <sub>CC</sub>	V <sub>CC</sub>	1D5	1D6
D	1Q8	1Q7	GND	GND	1D7	1D8
E	2Q2	2Q1	GND	GND	2D1	2D2
F	2Q4	2Q3	V <sub>CC</sub>	V <sub>CC</sub>	2D3	2D4
G	2Q6	2Q5	GND	GND	2D5	2D6
H	2Q8	2Q7	2OE	2CLK	2D7	2D8
J	3Q2	3Q1	3OE	3CLK	3D1	3D2
K	3Q4	3Q3	GND	GND	3D3	3D4
L	3Q6	3Q5	V <sub>CC</sub>	V <sub>CC</sub>	3D5	3D6
M	3Q8	3Q7	GND	GND	3D7	3D8
N	4Q2	4Q1	GND	GND	4D1	4D2
P	4Q4	4Q3	V <sub>CC</sub>	V <sub>CC</sub>	4D3	4D4
R	4Q6	4Q5	GND	GND	4D5	4D6
T	4Q7	4Q8	4OE	4CLK	4D8	4D7

See page 734

# Pin Assignments

## 32501

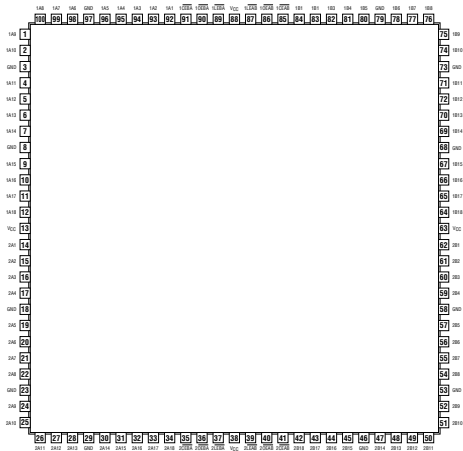
### 36-BIT UNIVERSAL BUS TRANSCEIVERS WITH 3-STATE OUTPUTS



See page 736

## 32543

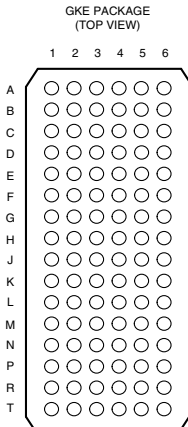
### 36-BIT REGISTERED BUS TRANSCEIVERS WITH 3-STATE OUTPUTS



See page 738

## 32973

**16-BIT BUS TRANSCEIVER AND TRANSPARENT D-TYPE LATCH  
WITH EIGHT INDEPENDENT BUFFERS**



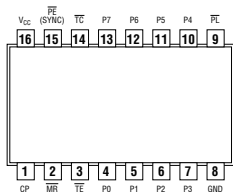
terminal assignments

	1	2	3	4	5	6
A	1A1	D1	1 $\overline{\text{TOE}}$	1DIR	1B1	1Q1
B	1A2	Y1	GND	GND	1B2	1Q2
C	1A3	D2	V <sub>CC</sub>	V <sub>CC</sub>	1B3	1Q3
D	1A4	Y2	GND	GND	1B4	1Q4
E	1A5	D3	GND	GND	1B5	1Q5
F	1A6	Y3	V <sub>CC</sub>	V <sub>CC</sub>	1B6	1Q6
G	1A7	D4	GND	GND	1B7	1Q7
H	1A8	Y4	1LE	1 $\overline{\text{LOE}}$	1B8	1Q8
J	2A1	D5	2 $\overline{\text{TOE}}$	2DIR	2B1	2Q1
K	2A2	Y5	GND	GND	2B2	2Q2
L	2A3	D6	V <sub>CC</sub>	V <sub>CC</sub>	2B3	2Q3
M	2A4	Y6	GND	GND	2B4	2Q4
N	2A5	D7	GND	GND	2B5	2Q5
P	2A6	Y7	V <sub>CC</sub>	V <sub>CC</sub>	2B6	2Q6
R	2A7	D8	GND	GND	2B7	2Q7
T	2A8	Y8	2LE	2 $\overline{\text{LOE}}$	2B8	2Q8

See page 740

## 40103

**8-STAGE SYNCHRONOUS DOWN COUNTERS**



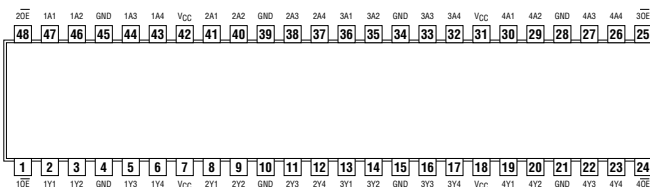
See page 742



# Pin Assignments

## 162240

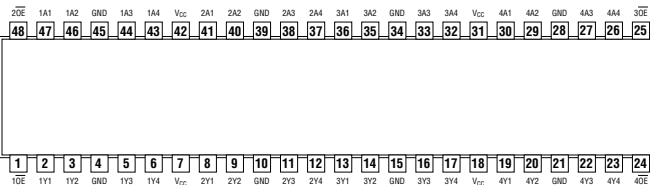
3.3-V ABT 16-BIT BUFFERS/DRIVERS  
WITH 3-STATE OUTPUTS



See page 744

## 162241

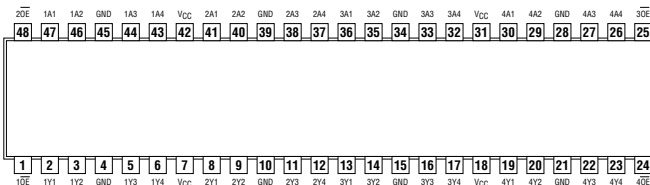
3.3-V ABT 16-BIT BUFFERS/DRIVERS  
WITH 3-STATE OUTPUTS



See page 745

## 162244

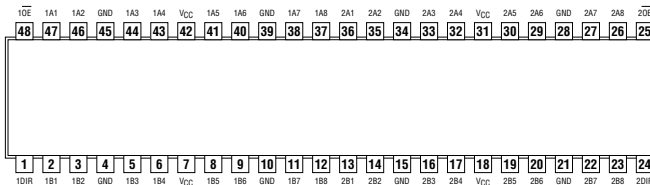
16-BIT BUFFERS/DRIVERS  
WITH 3-STATE OUTPUTS



See page 746

## 162245

16-BIT TRANSCEIVER  
WITH 3-STATE OUTPUTS

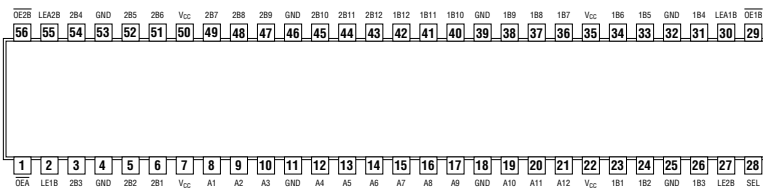


See page 747

# Pin Assignments

## 162260

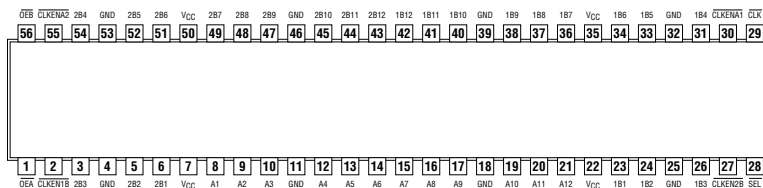
12-BIT TO 24-BIT MULTIPLEXED D-TYPE LATCH  
WITH 3-STATE OUTPUTS



See page 748

## 162268

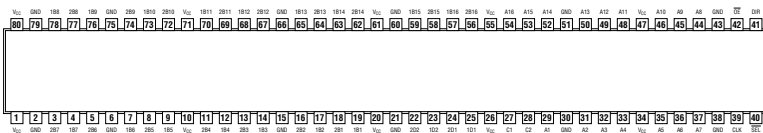
12-BIT TO 24-BIT REGISTERED BUS EXCHANGER  
WITH 3-STATE OUTPUTS



See page 750

## 162280

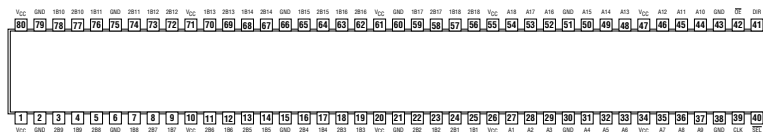
16-BIT TO 32-BIT REGISTERED BUS EXCHANGER  
WITH BYTE MASKS AND 3-STATE OUTPUTS



See page 752

## 162282

18-BIT TO 36-BIT REGISTERED BUS EXCHANGER  
WITH 3-STATE OUTPUTS

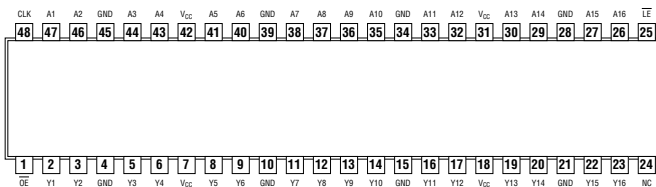


See page 754

## Pin Assignments

### 162334

16-BIT UNIVERSAL BUS DRIVER  
WITH 3-STATE OUTPUTS

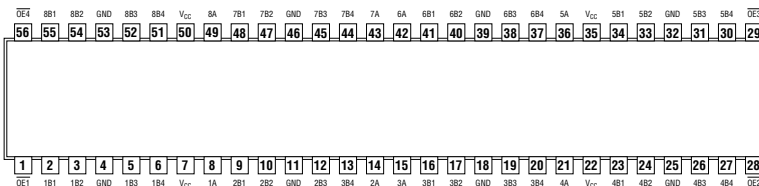


See page 756

NC-No internal connection

### 162344

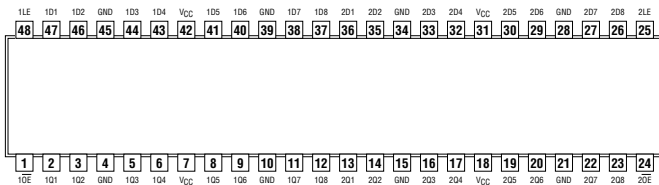
1-BIT TO 4-BIT ADDRESS DRIVER  
WITH 3-STATE OUTPUTS



See page 758

### 162373

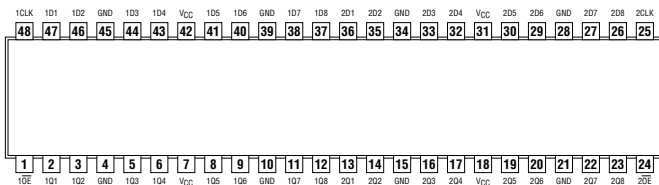
3.3-V ABT 16-BIT TRANSPARENT D-TYPE LATCHES  
WITH 3-STATE OUTPUTS



See page 760

### 162374

3.3-V ABT 16-BIT EDGE-TRIGGERED D-TYPE FLIP-FLOPS  
WITH 3-STATE OUTPUTS



See page 761

# Pin Assignments

## 162460

4-TO-1 MULTIPLEXED/DEMULTIPLEXED REGISTERED TRANSCEIVERS  
WITH 3-STATE OUTPUTS

OE <sub>B1</sub>	OE <sub>B2</sub>	SEL0	GND	1B1	1B2	V <sub>CC</sub>	1B3	1B4	2B1	GND	2B2	2B3	2B4	3B1	3B2	3B3	GND	3B4	4B1	4B2	V <sub>CC</sub>	4B3	4B4	GND	SEL1	OE <sub>B3</sub>	OE <sub>B4</sub>
56	55	54	53	52	51	50	49	48	47	46	45	44	43	42	41	40	39	38	37	36	35	34	33	32	31	30	29



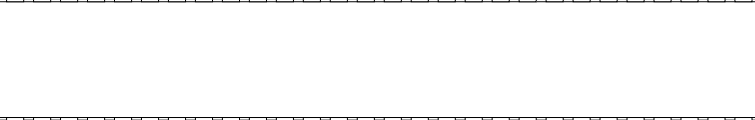
1	2	3	4	5	6	7	8	9	10	11	12	13	14	15	16	17	18	19	20	21	22	23	24	25	26	27	28
LEAB1	LEAB2	LEBA	GND	LEB1	LEB2	V <sub>CC</sub>	CLKBA	OE <sub>B</sub>	CLKAB	GND	1A	2A	OE_SEL0	OE_SEL1	3A	4A	GND	CLK <sub>ENB</sub>	CLK <sub>ENB</sub>	CLK <sub>ENBA</sub>	V <sub>CC</sub>	LEB3	LEBA	GND	OE <sub>A</sub>	LEAB3	LEAB3

See page 762

## 162500

18-BIT UNIVERSAL BUS TRANSCEIVER  
WITH 3-STATE OUTPUTS

GND	CLKAB	B1	GND	B2	B3	V <sub>CC</sub>	B4	B5	B6	GND	B7	B8	B9	B10	B11	B12	GND	B13	B14	B15	V <sub>CC</sub>	B16	B17	GND	B18	CLKBA	GND
56	55	54	53	52	51	50	49	48	47	46	45	44	43	42	41	40	39	38	37	36	35	34	33	32	31	30	29



1	2	3	4	5	6	7	8	9	10	11	12	13	14	15	16	17	18	19	20	21	22	23	24	25	26	27	28
OEAB	LEAB	A1	GND	A2	A3	V <sub>CC</sub>	A4	A5	A6	GND	A7	A8	A9	A10	A11	A12	GND	A13	A14	A15	V <sub>CC</sub>	A16	A17	GND	A18	OEBA	LEBA

See page 764

## 162501

18-BIT UNIVERSAL BUS TRANSCEIVERS  
WITH 3-STATE OUTPUTS

GND	CLKAB	B1	GND	B2	B3	V <sub>CC</sub>	B4	B5	B6	GND	B7	B8	B9	B10	B11	B12	GND	B13	B14	B15	V <sub>CC</sub>	B16	B17	GND	B18	CLKBA	GND
56	55	54	53	52	51	50	49	48	47	46	45	44	43	42	41	40	39	38	37	36	35	34	33	32	31	30	29



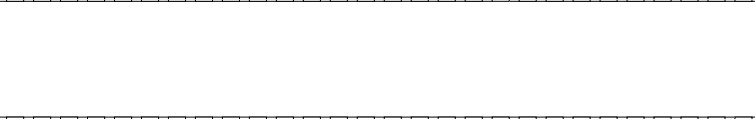
1	2	3	4	5	6	7	8	9	10	11	12	13	14	15	16	17	18	19	20	21	22	23	24	25	26	27	28
OEAB	LEAB	A1	GND	A2	A3	V <sub>CC</sub>	A4	A5	A6	GND	A7	A8	A9	A10	A11	A12	GND	A13	A14	A15	V <sub>CC</sub>	A16	A17	GND	A18	OEBA	LEBA

See page 766

## 162525

18-BIT REGISTERED BUS TRANSCEIVER  
WITH 3-STATE OUTPUTS

SEL	CLKAB	B1	GND	B2	B3	V <sub>CC</sub>	B4	B5	B6	GND	B7	B8	B9	B10	B11	B12	GND	B13	B14	B15	V <sub>CC</sub>	B16	B17	GND	B18	CLK <sub>ENB</sub>	CLK <sub>ENBA</sub>
56	55	54	53	52	51	50	49	48	47	46	45	44	43	42	41	40	39	38	37	36	35	34	33	32	31	30	29



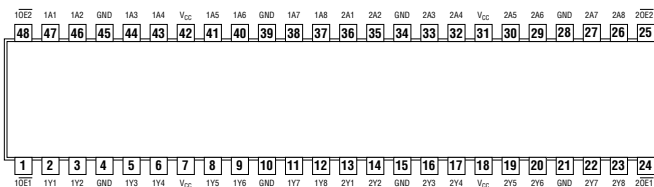
1	2	3	4	5	6	7	8	9	10	11	12	13	14	15	16	17	18	19	20	21	22	23	24	25	26	27	28
CLK <sub>ENB</sub>	OEAB	A1	GND	A2	A3	V <sub>CC</sub>	A4	A5	A6	GND	A7	A8	A9	A10	A11	A12	GND	A13	A14	A15	V <sub>CC</sub>	A16	A17	GND	A18	OEBA	CLK <sub>ENBA</sub>

See page 768

# Pin Assignments

## 162541

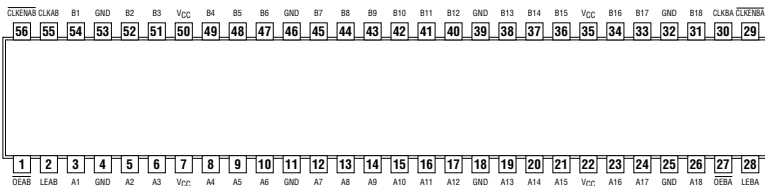
3.3-V ABT 16-BIT BUFFERS/DRIVERS  
WITH 3-STATE OUTPUTS



See page 770

## 162601

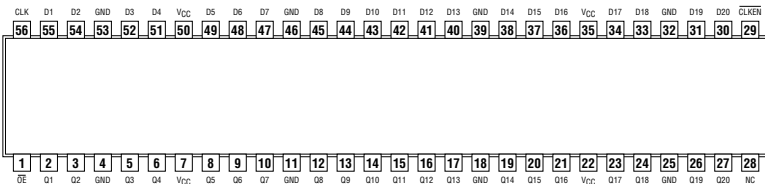
18-BIT UNIVERSAL BUS TRANSCEIVER  
WITH 3-STATE OUTPUTS



See page 772

## 162721

3.3-V 20-BIT FLIP-FLOP  
WITH 3-STATE OUTPUTS

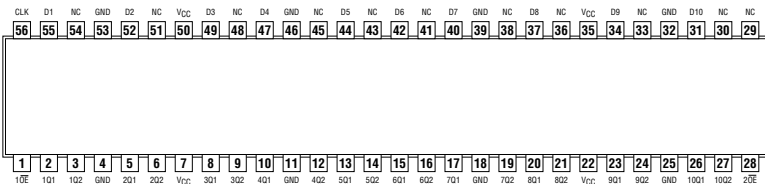


See page 774

NC-No internal connection

## 162820

3.3-V 10-BIT FLIP-FLOP WITH DUAL OUTPUTS  
AND 3-STATE OUTPUTS

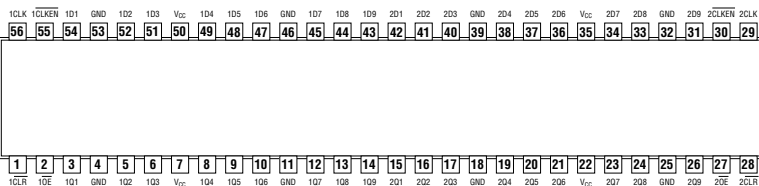


See page 775

NC-No internal connection

## 162823

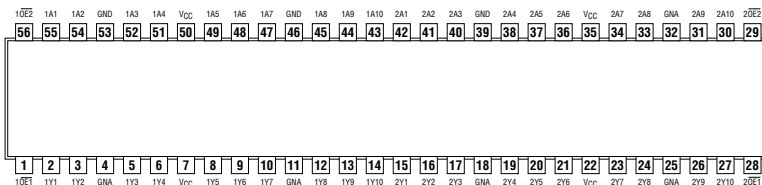
**18-BIT BUS-INTERFACE FLIP-FLOPS  
WITH 3-STATE OUTPUTS**



See page 776

## 162825

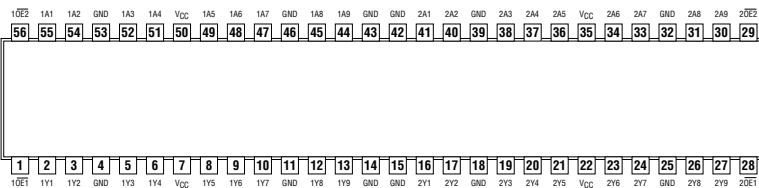
**18-BIT BUFFERS/DRIVERS WITH 3-STATE OUTPUTS**



See page 777

## 162827

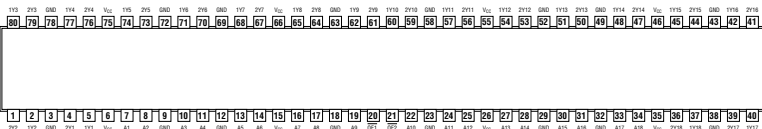
**20-BIT BUS BUFFERS/DRIVERS WITH 3-STATE OUTPUTS**



See page 778

## 162830

**1-BIT TO 2-BIT ADDRESS DRIVER WITH 3-STATE OUTPUTS**

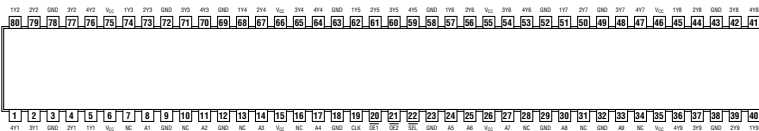


See page 779

# Pin Assignments

## 162831

1-BIT TO 4-BIT ADDRESS REGISTER/DRIVER  
WITH 3-STATE OUTPUTS

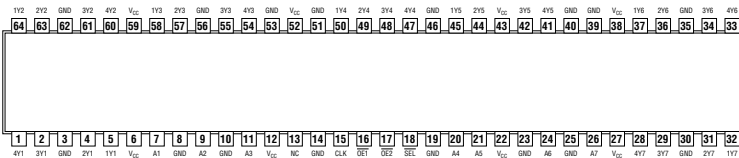


NC-No internal connection

See page 780

## 162832

1-BIT TO 4-BIT ADDRESS REGISTER/DRIVER  
WITH 3-STATE OUTPUTS

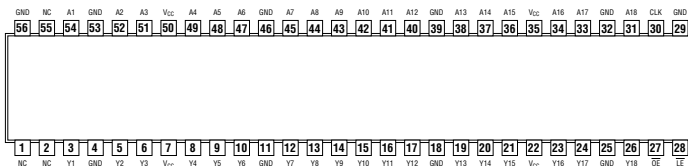


See page 781

## 162834

## 162835

18-BIT UNIVERSAL BUS DRIVER WITH 3-STATE OUTPUTS

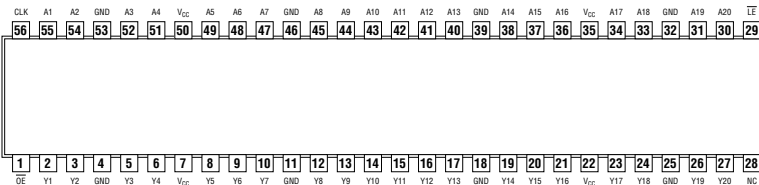


NC-No internal connection

See page 782, 783

## 162836

20-BIT UNIVERSAL BUS DRIVER WITH 3-STATE OUTPUTS



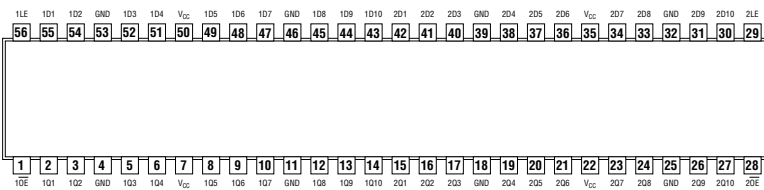
NC-No internal connection

See page 784

# Pin Assignments

## 162841

20-BIT BUS-INTERFACE D-TYPE LATCH  
WITH 3-STATE OUTPUTS



See page 785

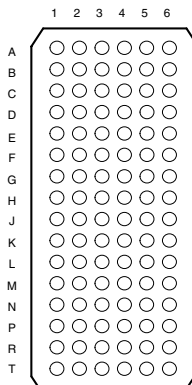


## Pin Assignments

### 322244

32-BIT BUFFER/DRIVER  
WITH 3-STATE OUTPUTS

GKE PACKAGE  
(TOP VIEW)



terminal assignments

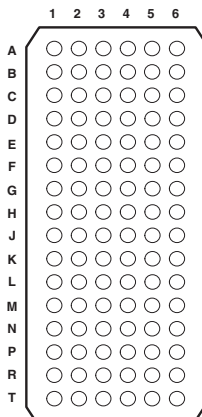
	1	2	3	4	5	6
A	1Y2	1Y1	1OE	2OE	1A1	1A2
B	1Y4	1Y3	GND	GND	1A3	1A4
C	2Y2	2Y1	VCC	VCC	2A1	2A2
D	2Y4	2Y3	GND	GND	2A3	2A4
E	3Y2	3Y1	GND	GND	3A1	3A2
F	3Y4	3Y3	VCC	VCC	3A3	3A4
G	4Y2	4Y1	GND	GND	4A1	4A2
H	4Y3	4Y4	4OE	3OE	4A4	4A3
J	5Y2	5Y1	5OE	6OE	5A1	5A2
K	5Y4	5Y3	GND	GND	5A3	5A4
L	6Y2	6Y1	VCC	VCC	6A1	6A2
M	6Y4	6Y3	GND	GND	6A3	6A4
N	7Y2	7Y1	GND	GND	7A1	7A2
P	7Y4	7Y3	VCC	VCC	7A3	7A4
R	8Y2	8Y1	GND	GND	8A1	8A2
T	8Y3	8Y4	8OE	7OE	8A4	8A3

See page 786

### 322374

3.3-V ABT 32-BIT EDGE-TRIGGERED D-TYPE FLIP-FLOP WITH 3-STATE OUTPUTS

GKE PACKAGE  
(TOP VIEW)



terminal assignments

	1	2	3	4	5	6
A	1Q2	1Q1	1OE	1CLK	1D1	1D2
B	1Q4	1Q3	GND	GND	1D3	1D4
C	1Q6	1Q5	VCC	VCC	1D5	1D6
D	1Q8	1Q7	GND	GND	1D7	1D8
E	2Q2	2Q1	GND	GND	2D1	2D2
F	2Q4	2Q3	VCC	VCC	2D3	2D4
G	2Q6	2Q6	GND	GND	2D5	2D6
H	2Q7	2Q8	2OE	2CLK	2D8	2D7
J	3Q2	3Q1	3OE	3CLK	3D1	3D2
K	3Q4	3Q3	GND	GND	3D3	3D4
L	3Q6	3Q5	VCC	VCC	3D5	3D6
M	3Q8	3Q7	GND	GND	3D7	3D8
N	4Q2	4Q1	GND	GND	4D1	4D2
P	4Q4	4Q3	VCC	VCC	4D3	4D4
R	4Q6	4Q5	GND	GND	4D5	4D6
T	4Q7	4Q8	4OE	4CLK	4D8	4D7

See page 787

**FUNCTION  
AND  
ELECTRICAL  
CHARACTERISTICS**

**Standard**



## QUADRUPLE 2-INPUT POSITIVE-NAND GATES

- $Y = \overline{A \cdot B}$
- 74AC11xxx: Product Available in Reduced-Noise Advanced CMOS (11000 Series)
- 74ACT11xxx: Product Available in Reduced-Noise Advanced CMOS (11000 Series)



## ELECTRICAL CHARACTERISTICS AND RECOMMENDED OPERATING CONDITIONS

PARAMETER	MAX or MIN	TTL	LS	S	ALS	AS	F	SN74 HC	CD74 HC	SN74 HCT	CD74 HCT	AC 11	SN74 AC	CD74 AC	UNIT
I <sub>CC</sub>	MAX	22	4.4	36	3	17.4	10.2	0.02	0.04	0.02	0.04	0.04	0.02	0.08	mA
I <sub>OH</sub>	MAX	-0.4	-0.4	-1	-0.4	-2	-1	-4	-4	-4	-4	-24	-24	-24	mA
I <sub>OL</sub>	MAX	16	8	20	8	20	20	4	4	4	4	24	24	24	mA

PARAMETER	MAX or MIN	ACT 11	SN74 ACT	CD74 ACT	AHC	AHCT	LV 3V	LV 5V	LVC 3V	ALVC 3V	AUC 1.8V	AUC 2.3V	UNIT
I <sub>CC</sub>	MAX	0.04	0.02	0.08	0.02	0.02	-	0.02	0.01	0.01	0.01	0.01	mA
I <sub>OH</sub>	MAX	-24	-24	-24	-8	-8	-6	-12	-24	-24	-8	-9	mA
I <sub>OL</sub>	MAX	24	24	24	8	8	6	12	24	24	8	9	mA

## SWITCHING CHARACTERISTICS

PARAMETER	INPUT	OUTPUT	MAX or MIN	TTL	LS	S	ALS	AS	F	SN74 HC	CD74 HC	SN74 HCT
t <sub>PLH</sub>	A or B	Y	MAX	22	15	4.5	11	4.5	6	23	27	25
t <sub>PHL</sub>	A or B	Y	MAX	15	15	5	8	4	5.3	23	27	25

PARAMETER	INPUT	OUTPUT	MAX or MIN	CD74 HCT	AC 11	SN74 AC	CD74 AC	ACT 11	SN74 ACT	CD74 ACT	AHC	AHCT
t <sub>PLH</sub>	A or B	Y	MAX	30	7.4	8.5	7.3	12.3	9.5	10.8	8.5	9
t <sub>PHL</sub>	A or B	Y	MAX	30	6.8	7	7.3	8.8	8	13.2	8.5	9

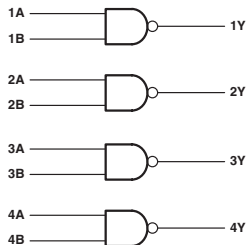
PARAMETER	INPUT	OUTPUT	MAX or MIN	LV 3V	LV 5V	LVC 3V	ALVC 3V	AUC 1.8V	AUC 2.3V
t <sub>PLH</sub>	A or B	Y	MAX	13	8.5	4.3	3	2.4	2
t <sub>PHL</sub>	A or B	Y	MAX	13	8.5	4.3	3	2.4	2

UNIT:ns

## 01

**QUADRUPLE 2-INPUT POSITIVE-NAND GATES  
WITH OPEN-COLLECTOR OUTPUTS**

$$\bullet Y = \overline{A \cdot B}$$

**Logic Diagram**

**ELECTRICAL CHARACTERISTICS AND RECOMMENDED OPERATING CONDITIONS**

PARAMETER	MAX or MIN	TTL	LS	ALS	HC	UNIT
$I_{CC}$	MAX	22	4.4	3	0.02	mA
$V_{OH}$	MAX	5.5	5.5	5.5	$V_{CC}$	V
$I_{OL}$	MAX	16	8	8	4	mA

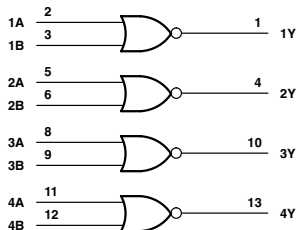
**SWITCHING CHARACTERISTICS**

PARAMETER	INPUT	OUTPUT	MAX or MIN	TTL	LS	ALS	HC
$t_{PLH}$	A or B	Y	MAX	55	32	54	31
$t_{PHL}$	A or B	Y	MAX	15	28	28	25

UNIT:ns

## QUADRUPLE 2-INPUT POSITIVE-NOR GATES

- $Y = \overline{A + B}$
- 74AC11xxx: Product Available in Reduced-Noise Advanced CMOS (11000 Series)
- 74ACT11xxx: Product Available in Reduced-Noise Advanced CMOS (11000 Series)



## ELECTRICAL CHARACTERISTICS AND RECOMMENDED OPERATING CONDITIONS

PARAMETER	MAX or MIN	TTL	LS	S	ALS	AS	F	SN74 HC	CD74 HC	SN74 HCT	CD74 HCT	UNIT
$I_{CC}$	MAX	27	5.4	45	4	20.1	13	0.02	0.04	0.02	0.04	mA
$I_{OH}$	MAX	-0.4	-0.4	-1	-0.4	-2	-1	-4	-4	-4	-4	mA
$I_{OL}$	MAX	16	8	20	8	20	20	4	4	4	4	mA

PARAMETER	MAX or MIN	AC 11	CD74 AC	ACT 11	CD74 ACT	AHC	AHCT	LV 3V	LV 5V	LVC 3V	AUC 1.8V	AUC 2.3V	UNIT
$I_{CC}$	MAX	0.04	0.08	0.04	0.08	0.02	0.02	-	0.02	0.01	0.01	0.01	mA
$I_{OH}$	MAX	-24	-24	-24	-24	-8	-8	-6	-12	-24	-8	-9	mA
$I_{OL}$	MAX	24	24	24	24	8	8	6	12	24	8	9	mA

## SWITCHING CHARACTERISTICS

PARAMETER	INPUT	OUTPUT	MAX or MIN	TTL	LS	S	ALS	AS	F	SN74 HC	CD74 HC	SN74 HCT	CD74 HCT
$t_{PLH}$	A or B	Y	MAX	22	15	5.5	12	4.5	6.5	23	27	25	32
$t_{PHL}$	A or B	Y	MAX	15	15	5.5	10	4.5	5.3	23	27	25	32

PARAMETER	INPUT	OUTPUT	MAX or MIN	AC 11	CD74 AC	ACT 11	CD74 ACT	AHC	AHCT	LV 3V	LV 5V	LVC 3V
$t_{PLH}$	A or B	Y	MAX	6.9	11.5	10.6	12.2	8.5	8.5	13	8.5	4.4
$t_{PHL}$	A or B	Y	MAX	6.4	11.5	8.7	12.2	8.5	8.5	13	8.5	4.4

PARAMETER	INPUT	OUTPUT	MAX or MIN	AUC 1.8V	AUC 2.3V
$t_{PLH}$	A or B	Y	MAX	2.4	2
$t_{PHL}$	A or B	Y	MAX	2.4	2

UNIT: ns

## QUADRUPLE 2-INPUT POSITIVE-NAND GATES WITH OPEN-COLLECTOR OUTPUTS



$$Y = \overline{A \cdot B}$$

### ELECTRICAL CHARACTERISTICS AND RECOMMENDED OPERATING CONDITIONS

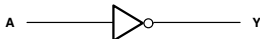
PARAMETER	MAX or MIN	TTL	LS	S	ALS	SN74 HC	CD74 HC	CD74 HCT	UNIT
$I_{CC}$	MAX	22	4.4	36	4	0.02	0.04	0.04	mA
$V_{OH}$	MAX	5.5	8	5.5	8	$V_{CC}$	$V_{CC}$	$V_{CC}$	V
$I_{OL}$	MAX	16	0.1	20	0.1	4	4	4	mA

### SWITCHING CHARACTERISTICS

PARAMETER	INPUT	OUTPUT	MAX or MIN	TTL	LS	S	ALS	SN74 HC	CD74 HC	CD74 HCT
$t_{PLH}$	A or B	Y	MAX	45	32	7.5	50	31	30	36
$t_{PHL}$	A or B	Y	MAX	15	28	7	13	25	30	36

UNIT: ns

## HEX INVERTERS



- $Y = \bar{A}$
- 74AC11xxx: Product Available in Reduced-Noise Advanced CMOS (11000 Series)
- 74ACT11xxx: Product Available in Reduced-Noise Advanced CMOS (11000 Series)

## ELECTRICAL CHARACTERISTICS AND RECOMMENDED OPERATING CONDITIONS

PARAMETER	MAX or MIN	TTL	LS	S	ALS	AS	F	SN74 HC	CD74 HC	SN74 HCT	CD74 HCT	AC 11	SN74 AC	UNIT
I <sub>CC</sub>	MAX	33	6.6	54	4.2	26.3	15.3	0.02	0.04	0.02	0.04	0.04	0.02	mA
I <sub>OH</sub>	MAX	-0.4	-0.4	-1	-0.4	-2	-1	-4	-4	-4	-4	-24	-24	mA
I <sub>OL</sub>	MAX	16	8	20	8	20	20	4	4	4	4	24	24	mA

PARAMETER	MAX or MIN	CD74 AC	ACT 11	SN74 ACT	CD74 ACT	AHC	AHCT	LV 3V	LV 5V	LVC 3V	ALVC 3V	AUC 1.8V	AUC 2.3V	UNIT
I <sub>CC</sub>	MAX	0.08	0.04	0.02	0.08	0.02	0.02	-	0.02	0.01	0.01	0.01	0.01	mA
I <sub>OH</sub>	MAX	-24	-24	-24	-24	-8	-8	-6	-12	-24	-24	-8	-9	mA
I <sub>OL</sub>	MAX	24	24	24	24	8	8	6	12	24	24	8	9	mA

## SWITCHING CHARACTERISTICS

PARAMETER	INPUT	OUTPUT	MAX or MIN	TTL	LS	S	ALS	AS	F	SN74 HC	CD74 HC	SN74 HCT
t <sub>PLH</sub>	A or B	Y	MAX	22	15	4.5	11	5	6	24	26	25
t <sub>PHL</sub>	A or B	Y	MAX	15	15	5	8	4	5.3	24	26	25

PARAMETER	INPUT	OUTPUT	MAX or MIN	CD74 HCT	AC 11	SN74 AC	CD74 AC	ACT 11	SN74 ACT	CD74 ACT	AHC	AHCT
t <sub>PLH</sub>	A or B	Y	MAX	29	7.1	7.5	6.5	9.7	9	9.3	8.5	8.5
t <sub>PHL</sub>	A or B	Y	MAX	29	6	7	6.5	9.6	8.5	9.3	8.5	8.5

PARAMETER	INPUT	OUTPUT	MAX or MIN	LV 3V	LV 5V	LVC 3V	ALVC 3V	AUC 1.8V	AUC 2.3V
t <sub>PLH</sub>	A or B	Y	MAX	12	8.5	4.5	2.8	2.5	2.0
t <sub>PHL</sub>	A or B	Y	MAX	12	8.5	4.5	2.8	2.5	2.0

UNIT: ns

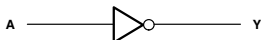


## U04

### HEX INVERTERS

- $Y = \bar{A}$
- Unbuffered Output

#### Logic Diagram (SN74)



#### ELECTRICAL CHARACTERISTICS AND RECOMMENDED OPERATING CONDITIONS

PARAMETER	MAX or MIN	SN74 HC	CD74 HC	AHC	LV 3V	LV 5V	LVC 3V	AUC 1.8V	AUC 2.3V	UNIT
$I_{CC}$	MAX	0.02	0.04	0.02	-	0.02	0.01	0.01	0.01	mA
$I_{OH}$	MAX	-4	-4	-8	-6	-12	-24	-8	-9	mA
$I_{OL}$	MAX	4	4	8	6	12	24	8	9	mA

#### SWITCHING CHARACTERISTICS

PARAMETER	INPUT	OUTPUT	MAX or MIN	SN74 HC	CD74 HC	AHC	LV 3V	LV 5V	LVC 3V	AUC 1.8V	AUC 2.3V
$t_{PLH}$	A or B	Y	MAX	20	21	8	13	8	3.8	2.0	1.7
$t_{PHL}$	A or B	Y	MAX	20	21	8	13	8	3.8	2.0	1.7

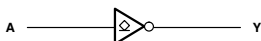
UNIT: ns

## 05

### HEX INVERTERS WITH OPEN-DRAIN OUTPUTS

- $Y = \bar{A}$

#### Logic Diagram (SN74)



#### ELECTRICAL CHARACTERISTICS AND RECOMMENDED OPERATING CONDITIONS

PARAMETER	MAX or MIN	TTL	LS	S	ALS	SN74 HC	CD74 AC	CD74 ACT	AHC	LV 3V	LV 5V	UNIT
$I_{CC}$	MAX	33	6.6	54	4.2	0.02	0.08	0.08	0.02	-	0.02	mA
$I_{OH}$	MAX	0.25	0.1	0.25	-	-	-24	-24	-	-	-	mA
$V_{OH}$	MAX	5.5	5.5	5.5	5.5	5.5	5.5	5.5	$V_{CC}$	5.5	5.5	V
$I_{OL}$	MAX	16	8	20	8	4	24	24	8	6	12	mA

#### SWITCHING CHARACTERISTICS

PARAMETER	INPUT	OUTPUT	MAX or MIN	TTL	LS	S	ALS	SN74 HC	CD74 AC	CD74 ACT	AHC	LV 3V	LV 5V
$t_{PLH}$	A or B	Y	MAX	55	32	7.5	54	29	-	-	-	12	8.5
$t_{PHL}$	A or B	Y	MAX	15	28	7	14	21	-	-	-	12	8.5
$t_{PLZ}$	A	Y	MAX	-	-	-	-	-	8.2	9.3	8.5	-	-
$t_{PZL}$	A	Y	MAX	-	-	-	-	-	6.5	10.8	8.5	-	-

UNIT: ns

## 06

HEX INVERTER BUFFERS/DRIVERS  
WITH OPEN-DRAIN OUTPUTS

## Logic Diagram



$$\bullet Y = \bar{A}$$

## ELECTRICAL CHARACTERISTICS AND RECOMMENDED OPERATING CONDITIONS

PARAMETER	MAX or MIN	TTL	LS	LV 3V	LV 5V	LVC 3V	AUC 1.8V	AUC 2.5V	UNIT
I <sub>CC</sub>	MAX	51	60	-	0.02	0.01	0.01	0.01	mA
I <sub>OH</sub>	MAX	0.25	0.25	-	±0.0025	-	-	-	mA
V <sub>OH</sub>	MAX	30	30	5.5	5.5	5.5	3.6	3.6	V
I <sub>OL</sub>	MAX	40	40	8	16	24	8	9	mA

## SWITCHING CHARACTERISTICS

PARAMETER	INPUT	OUTPUT	MAX or MIN	TTL	LS	LV 3V	LV 5V	LVC 3V	AUC 1.8V	AUC 2.5V
t <sub>PLH</sub>	A or B	Y	MAX	15	15	12	8.5	3.7	2.8	1.3
t <sub>PHL</sub>	A or B	Y	MAX	23	20	12	8.5	3.7	2.8	1.3

UNIT: ns

## 07

HEX BUFFERS/DRIVERS WITH OPEN-DRAIN  
OUTPUTS

## Logic Diagram



$$\bullet Y = A$$

## ELECTRICAL CHARACTERISTICS AND RECOMMENDED OPERATING CONDITIONS

PARAMETER	MAX or MIN	TTL	LS	LV 3V	LV 5V	LVC 3V	AUC 1.8V	AUC 2.5V	UNIT
I <sub>CC</sub>	MAX	41	45	-	0.02	0.01	0.01	0.01	mA
I <sub>OH</sub>	MAX	0.25	0.25	-	±0.0025	-	-	-	mA
V <sub>OH</sub>	MAX	30	30	5.5	5.5	5.5	3.6	3.6	V
I <sub>OL</sub>	MAX	40	40	8	16	24	8	9	mA

## SWITCHING CHARACTERISTICS

PARAMETER	INPUT	OUTPUT	MAX or MIN	TTL	LS	LV 3V	LV 5V	LVC 3V	AUC 1.8V	AUC 2.5V
t <sub>PLH</sub>	A or B	Y	MAX	15	10	12	8.5	2.9	2.3	1.3
t <sub>PHL</sub>	A or B	Y	MAX	26	30	12	8.5	2.9	2.3	1.3

UNIT: ns

## QUADRUPLE 2-INPUT POSITIVE-AND GATES



- $Y = A \cdot B$
- 74AC11xxx: Product Available in Reduced-Noise Advanced CMOS (11000 Series)
- 74ACT11xxx: Product Available in Reduced-Noise Advanced CMOS (11000 Series)

### ELECTRICAL CHARACTERISTICS AND RECOMMENDED OPERATING CONDITIONS

PARAMETER	MAX or MIN	TTL	LS	S	ALS	AS	F	SN74 HC	CD74 HC	SN74 HCT	CD74 HCT	AC 11	UNIT
I <sub>CC</sub>	MAX	33	8.8	57	4	24	12.9	0.02	0.04	0.02	0.04	0.04	mA
I <sub>OH</sub>	MAX	-0.8	-0.4	-1	-0.4	-2	-1	-4	-4	-4	-4	-24	mA
I <sub>OL</sub>	MAX	16	8	20	8	20	20	4	4	4	4	24	mA

PARAMETER	MAX or MIN	SN74 AC	CD74 AC	ACT 11	SN74 ACT	CD74 ACT	AHC	AHCT	LV 3V	LV 5V	LVC 3.3V	ALVC 3V	AUC 1.8V	AUC 2.3V	UNIT
I <sub>CC</sub>	MAX	0.02	0.08	0.04	0.02	0.08	0.02	0.02	-	0.02	0.01	0.01	0.01	0.01	mA
I <sub>OH</sub>	MAX	-24	-24	-24	-24	-24	-8	-8	-6	-12	-24	-24	-8	-9	mA
I <sub>OL</sub>	MAX	24	24	24	24	24	8	8	6	12	24	24	8	9	mA

### SWITCHING CHARACTERISTICS

PARAMETER	INPUT	OUTPUT	MAX or MIN	TTL	LS	S	ALS	AS	F	SN74 HC	CD74 HC	SN74 HCT
t <sub>PLH</sub>	A or B	Y	MAX	27	15	7	14	5.5	6.6	25	27	30
t <sub>PHL</sub>	A or B	Y	MAX	19	20	7.5	10	5.5	6.3	25	27	30

PARAMETER	INPUT	OUTPUT	MAX or MIN	CD74 HCT	AC 11	SN74 AC	CD74 AC	ACT 11	SN74 ACT	CD74 ACT	AHC	AHCT
t <sub>PLH</sub>	A or B	Y	MAX	38	6.9	8.5	8.7	9	10	12.9	9	9
t <sub>PHL</sub>	A or B	Y	MAX	38	6.5	7.5	8.7	8.2	10	12.9	9	9

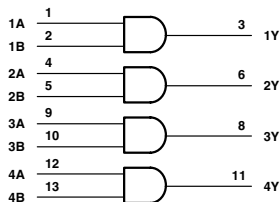
PARAMETER	INPUT	OUTPUT	MAX or MIN	LV 3V	LV 5V	LVC 3.3V	ALVC 3V	AUC 1.8V	AUC 2.3V
t <sub>PLH</sub>	A or B	Y	MAX	14	9	4.1	2.9	2.3	1.8
t <sub>PHL</sub>	A or B	Y	MAX	14	9	4.1	2.9	2.3	1.8

UNIT: ns

## QUADRUPLE 2-INPUT POSITIVE-AND GATES WITH OPEN-COLLECTOR OUTPUTS

●  $Y = A \cdot B$

### Logic Diagram



### ELECTRICAL CHARACTERISTICS AND RECOMMENDED OPERATING CONDITIONS

PARAMETER	MAX or MIN	TTL	LS	S	ALS	F	SN74 HC	UNIT
$I_{CC}$	MAX	33	8.8	57	4.2	26.3	15.3	mA
$I_{OH}$	MAX	-	0.1	0.25	0.1	-	-	mA
$V_{OH}$	MAX	5.5	5.5	5.5	5.5	5.5	$V_{CC}$	mA
$I_{OL}$	MAX	16	8	20	8	20	4	mA

### SWITCHING CHARACTERISTICS

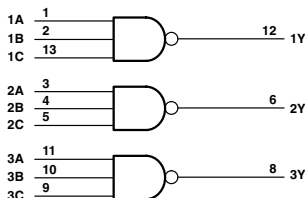
PARAMETER	INPUT	OUTPUT	MAX or MIN	TTL	LS	S	ALS	F	SN74 HC
$t_{PLH}$	A or B	Y	MAX	32	35	10	54	9.6	31
$t_{PHL}$	A or B	Y	MAX	24	35	10	15	4.8	25

UNIT: ns

## TRIPLE 3-INPUT POSITIVE-NAND GATES

- $Y = \overline{A \cdot B \cdot C}$
- 74AC11xxx: Product Available in Reduced-Noise Advanced CMOS (11000 Series)
- 74ACT11xxx: Product Available in Reduced-Noise Advanced CMOS (11000 Series)

### Logic Diagram (SN74)



FUNCTION TABLE  
(each gate)

INPUTS			OUTPUT
A	B	C	Y
H	H	H	L
L	X	X	H
X	L	X	H
X	X	L	H

ELECTRICAL CHARACTERISTICS AND RECOMMENDED OPERATING CONDITIONS

PARAMETER	MAX or MIN	TTL	LS	S	ALS	AS	F	SN74 HC	CD74 HC	SN74 HCT	CD74 HCT	AC 11	SN74 AC	CD74 AC	UNIT
$I_{CC}$	MAX	16.5	3.3	27	2.2	13	7.7	0.02	0.04	0.02	0.04	0.04	0.02	0.08	mA
$I_{OH}$	MAX	-0.4	-0.4	-1	-0.4	-2	-1	-4	-4	-4	-4	-24	-24	-24	mA
$I_{OL}$	MAX	16	8	20	8	20	20	4	4	4	4	24	24	24	mA

PARAMETER	MAX or MIN	ACT 11	SN74 ACT	CD74 ACT	LV 3V	LV 5V	LVC 3V	ALVC 3V	UNIT
$I_{CC}$	MAX	0.04	0.04	0.08	-	0.02	0.01	0.01	mA
$I_{OH}$	MAX	-24	-24	-24	-6	-12	-24	-24	mA
$I_{OL}$	MAX	24	24	24	6	12	24	24	mA

SWITCHING CHARACTERISTICS

PARAMETER	INPUT	OUTPUT	MAX or MIN	TTL	LS	S	ALS	AS	F	SN74 HC	CD74 HC	SN74 HCT	CD74 HCT
$t_{PLH}$	A, B or C	Y	MAX	22	15	4.5	11	4.5	6	24	30	19	36
$t_{PHL}$	A, B or C	Y	MAX	15	15	5	10	4.5	5.3	24	30	19	36

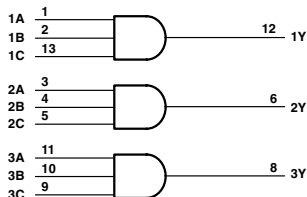
PARAMETER	INPUT	OUTPUT	MAX or MIN	AC 11	SN74 AC	CD74 AC	ACT 11	SN74 ACT	CD74 ACT	LV 3V	LV 5V	LVC 3V	ALVC 3V
$t_{PLH}$	A, B or C	Y	MAX	6.7	8	12.2	8.9	10	13.5	13.5	9	4.9	3
$t_{PHL}$	A, B or C	Y	MAX	7	6.5	12.2	8.2	9.5	13.5	13.5	9	4.9	3

UNIT: ns

## TRIPLE 3-INPUT POSITIVE-AND GATES

- $Y = A \cdot B \cdot C$
- 74AC11xxx: Product Available in Reduced-Noise Advanced CMOS (11000 Series)
- 74ACT11xxx: Product Available in Reduced-Noise Advanced CMOS (11000 Series)

Logic Diagram (SN74)



FUNCTION TABLE  
(each gate)

INPUTS			OUTPUT
A	B	C	Y
H	H	H	H
L	X	X	L
X	L	X	L
X	X	L	L

ELECTRICAL CHARACTERISTICS AND RECOMMENDED OPERATING CONDITIONS

PARAMETER	MAX or MIN	LS	S	ALS	AS	F	SN74 HC	CD74 HC	SN74 HCT	CD74 HCT	AC 11	SN74 AC	UNIT
$I_{CC}$	MAX	6.6	42	3	18	9.7	0.02	0.04	0.02	0.04	0.04	0.02	mA
$I_{OH}$	MAX	-0.4	-1	-0.4	-2	-1	-4	-4	-4	-4	-24	-24	mA
$I_{OL}$	MAX	8	20	8	20	20	4	4	4	4	24	24	mA

PARAMETER	MAX or MIN	ACT 11	SN74 ACT	LV 3V	LV 5V	UNIT
$I_{CC}$	MAX	0.04	0.02	-	0.02	mA
$I_{OH}$	MAX	-24	-24	-6	-12	mA
$I_{OL}$	MAX	24	24	6	12	mA

SWITCHING CHARACTERISTICS

PARAMETER	INPUT	OUTPUT	MAX or MIN	LS	S	ALS	AS	F	SN74 HC	CD74 HC	SN74 HCT	CD74 HCT
$t_{PLH}$	A, B or C	Y	MAX	15	7	13	6	6.6	25	30	21	42
$t_{PHL}$	A, B or C	Y	MAX	20	7.5	10	5.5	6.5	25	30	21	42

PARAMETER	INPUT	OUTPUT	MAX or MIN	AC 11	SN74 AC	ACT 11	SN74 ACT	LV 3V	LV 5V
$t_{PLH}$	A, B or C	Y	MAX	6.5	8.5	9.6	10.5	14	9
$t_{PHL}$	A, B or C	Y	MAX	6.9	7.5	8.7	10.5	14	9

UNIT: ns

## HEX SCHMITT-TRIGGER INVERTERS



- $Y = \bar{A}$
- 74AC11xxx: Product Available in Reduced-Noise Advanced CMOS (Series)
- 74ACT11xxx: Product Available in Reduced-Noise Advanced CMOS (11000 Series)

### ELECTRICAL CHARACTERISTICS AND RECOMMENDED OPERATING CONDITIONS

PARAMETER	MAX or MIN	TTL	LS	SN74 HC	CD74 HC	SN74 HCT	CD74 HCT	SN74 AC	CD74 AC	SN74 ACT	CD74 ACT	AHC	AHCT	UNIT
$I_{CC}$	MAX	60	21	0.02	0.04	0.02	0.04	0.02	0.08	0.02	0.08	0.02	0.02	mA
$I_{OH}$	MAX	-0.8	-0.4	-4	-4	-4	-4	-24	-24	-24	-24	-8	-8	mA
$I_{OL}$	MAX	16	8	4	4	4	4	24	24	24	24	8	8	mA

PARAMETER	MAX or MIN	LV 3V	LV 5V	LVC 3V	ALVC 3V	AUC 1.8V	AUC 2.5V	UNIT
$I_{CC}$	MAX	-	0.02	0.01	0.01	0.01	0.01	mA
$I_{OH}$	MAX	-6	-12	-24	-24	-8	-9	mA
$I_{OL}$	MAX	6	12	24	24	8	9	mA

### SWITCHING CHARACTERISTICS

PARAMETER	INPUT	OUTPUT	MAX or MIN	TTL	LS	SN74 HC	CD74 HC	SN74 HCT	CD74 HCT	SN74 AC	CD74 AC	SN74 ACT	CD74 ACT
$t_{PLH}$	A or B	Y	MAX	22	22	31	41	40	57	11	10.5	12.5	14.5
$t_{PHL}$	A or B	Y	MAX	22	22	31	41	40	57	9.5	10.5	11	9.5

PARAMETER	INPUT	OUTPUT	MAX or MIN	AHC	AHCT	LV 3V	LV 5V	LVC 3V	ALVC 3V	AUC 1.8V	AUC 2.5V
$t_{PLH}$	A or B	Y	MAX	12	9	18.5	12	6.4	3.4	3.5	2.7
$t_{PHL}$	A or B	Y	MAX	12	9	18.5	12	6.4	3.4	3.5	2.7

UNIT: ns

## 16

### HEX INVERTER BUFFERS/DRIVERS WITH OPEN-COLLECTOR HIGH-VOLTAGE OUTPUTS

●  $Y = \bar{A}$

#### ELECTRICAL CHARACTERISTICS AND RECOMMENDED OPERATING CONDITIONS

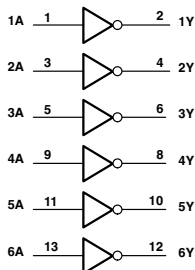
PARAMETER	MAX or MIN	TTL	UNIT
$I_{CC}$	MAX	51	mA
$V_{OH}$	MAX	15	V
$I_{OL}$	MAX	40	mA

#### SWITCHING CHARACTERISTICS

PARAMETER	INPUT	OUTPUT	MAX or MIN	TTL
$t_{PLH}$	A	Y	MAX	15
$t_{PHL}$	A	Y	MAX	23

UNIT: ns

#### Logic Diagram



## 17

### HEX SCHMITT-TRIGGER BUFFER

●  $Y = A$

#### ELECTRICAL CHARACTERISTICS AND RECOMMENDED OPERATING CONDITIONS

PARAMETER	MAX or MIN	TTL	AUC 1.8V	AUC 2.5V	UNIT
$I_{CC}$	MAX	41	0.01	0.01	mA
$I_{OH}$	MAX	0.25	-8	-9	mA
$I_{OL}$	MAX	40	8	9	mA

#### SWITCHING CHARACTERISTICS

PARAMETER	INPUT	OUTPUT	MAX or MIN	TTL	AUC 1.8V	AUC 2.5V
$t_{PLH}$	A	Y	MAX	15	2.4	1.9
$t_{PHL}$	A	Y	MAX	26	2.4	1.9

UNIT: ns

#### Logic Diagram

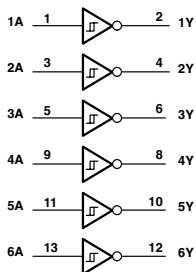




## HEX SCHMITT-TRIGGER INVERTERS

- $Y = \overline{A}$
- P-N-P Input Reduce System Loading  
( $I_{IL} = -0.05\text{mA MAX}$ )
- Excellent Noise Immunity with Typical Hysteresis of 0.8V

### Logic Diagram



### ELECTRICAL CHARACTERISTICS AND RECOMMENDED OPERATING CONDITIONS

PARAMETER	MAX or MIN	LS	UNIT
$I_{CC}$	MAX	30	mA
$I_{DH}$	MAX	-0.4	mA
$I_{OL}$	MAX	8	mA

### SWITCHING CHARACTERISTICS

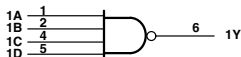
PARAMETER	INPUT	OUTPUT	MAX or MIN	LS
$t_{PLH}$	A or B	Y	MAX	20
$t_{PHL}$	A or B	Y	MAX	30

UNIT: ns

## DUAL 4-INPUT POSITIVE-NAND GATES

- $Y = \overline{A \cdot B \cdot C \cdot D}$
- 74AC11xxx: Product Available in Reduced-Noise Advanced CMOS (11000 Series)
- 74ACT11xxx: Product Available in Reduced-Noise Advanced CMOS (11000 Series)

### Logic Diagram (SN74)



**FUNCTION TABLE**  
(each gate)

INPUTS				OUTPUT Y
A	B	C	D	
H	H	H	H	L
L	X	X	X	H
X	L	X	X	H
X	X	L	X	H
X	X	X	L	H

### ELECTRICAL CHARACTERISTICS AND RECOMMENDED OPERATING CONDITIONS

PARAMETER	MAX or MIN	TTL	LS	S	ALS	AS	F	SN74 HC	CD74 HC	CD74 HCT	UNIT
$I_{CC}$	MAX	11	2.2	18	1.5	8.7	5.1	0.02	0.04	0.04	mA
$I_{OH}$	MAX	-0.4	-0.4	-1	-0.4	-2	-1	-4	-4	-4	mA
$I_{OL}$	MAX	16	8	20	8	20	20	4	4	4	mA

PARAMETER	MAX or MIN	AC 11	CD74 AC	ACT 11	CD74 ACT	LV 3V	LV 5V	UNIT
$I_{CC}$	MAX	0.04	0.08	0.04	0.08	-	0.02	mA
$I_{OH}$	MAX	-24	-24	-24	-24	-6	-12	mA
$I_{OL}$	MAX	24	24	24	24	6	12	mA

### SWITCHING CHARACTERISTICS

PARAMETER	INPUT	OUTPUT	MAX or MIN	TTL	LS	S	ALS	AS	F	SN74 HC	CD74 HC	CD74 HCT
$t_{PLH}$	A, B, C or D	Y	MAX	22	15	4.5	11	5	6	28	30	42
$t_{PHL}$	A, B, C or D	Y	MAX	15	15	5	10	4.5	5.3	28	30	42

PARAMETER	INPUT	OUTPUT	MAX or MIN	AC 11	CD74 AC	ACT 11	CD74 ACT	LV 3V	LV 5V
$t_{PLH}$	A, B, C or D	Y	MAX	6.7	12.2	9.1	13.5	11.5	8
$t_{PHL}$	A, B, C or D	Y	MAX	7.3	12.2	9.2	13.5	11.5	8

UNIT: ns

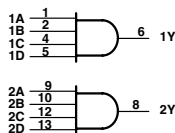
## DUAL 4-INPUT POSITIVE-AND GATES

- $Y = A \cdot B \cdot C \cdot D$
- 74ACT11xxx: Product Available in Reduced-Noise Advanced CMOS (11000 Series)
- 74ACT11xxx: Product Available in Reduced-Noise Advanced CMOS (11000 Series)

FUNCTION TABLE  
(each gate)

INPUTS				OUTPUT
A	B	C	D	Y
H	H	H	H	H
L	X	X	X	L
X	L	X	X	L
X	X	L	X	L
X	X	X	L	L

Logic Diagram (SN74)



ELECTRICAL CHARACTERISTICS AND RECOMMENDED OPERATING CONDITIONS

PARAMETER	MAX or MIN	LS	ALS	AS	F	SN74 HC	CD74 HC	CD74 HCT	AC 11	ACT 11	LV 3V	LV 5V	UNIT
$I_{CC}$	MAX	4.4	2.3	12	7.3	0.02	0.04	0.04	0.04	0.04	-	0.02	mA
$I_{OH}$	MAX	-0.4	-0.4	-2	-1	-4	-4	-4	-24	-24	-6	-12	mA
$I_{OL}$	MAX	8	8	20	20	4	4	4	24	24	6	12	mA

SWITCHING CHARACTERISTICS

PARAMETER	INPUT	OUTPUT	MAX or MIN	LS	ALS	AS	F	SN74 HC	CD74 HC	CD74 HCT	AC 11	ACT 11
$t_{PLH}$	A, B, C or D	Y	MAX	15	15	6	5.3	28	33	41	8.8	9.8
$t_{PHL}$	A, B, C or D	Y	MAX	20	10	6	5.5	28	33	41	6.9	8.9

PARAMETER	INPUT	OUTPUT	MAX or MIN	LV 3V	LV 5V
$t_{PLH}$	A, B, C or D	Y	MAX	12	8
$t_{PHL}$	A, B, C or D	Y	MAX	12	8

UNIT: ns

## DUAL 4-INPUT POSITIVE-NOR GATES WITH STROBE

$$Y = \overline{G(A + B + C + D)}$$

FUNCTION TABLE  
(each gate)

INPUTS					OUTPUT
A	B	C	D	G	Y
H	X	X	X	H	L
X	H	X	X	H	L
X	X	H	X	H	L
X	X	X	H	H	L
L	L	L	L	X	H
X	X	X	X	L	H

Expander inputs are open.  
H = high level, L = low level, X = irrelevant

ELECTRICAL CHARACTERISTICS AND RECOMMENDED OPERATING CONDITIONS

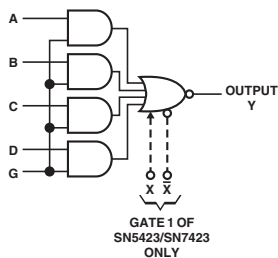
PARAMETER	MAX or MIN	TTL	UNIT
$I_{CC}$	MAX	19	mA
$I_{OH}$	MAX	-0.8	mA
$I_{OL}$	MAX	16	mA

SWITCHING CHARACTERISTICS

PARAMETER	INPUT	OUTPUT	MAX or MIN	TTL
$t_{PLH}$	A or B	Y	MAX	22
$t_{PHL}$	A or B	Y	MAX	15

UNIT: ns

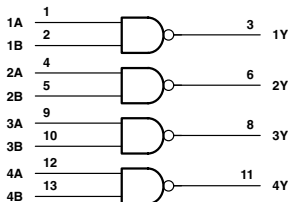
Logic Diagram (SN74)



## QUADRUPLE 2-INPUT HIGH-VOLTAGE INTERFACE POSITIVE-NAND GATES

$$\bullet Y = \overline{AB}$$

Logic Diagram



ELECTRICAL CHARACTERISTICS AND RECOMMENDED OPERATING CONDITIONS

PARAMETER	MAX or MIN	TTL	LS	UNIT
I <sub>CC</sub>	MAX	22	4.4	mA
V <sub>OH</sub>	MAX	15	15	V
I <sub>OL</sub>	MAX	16	8	mA

SWITCHING CHARACTERISTICS

PARAMETER	INPUT	OUTPUT	MAX or MIN	TTL	LS
t <sub>PLH</sub>	A or B	Y	MAX	24	32
t <sub>PHL</sub>	A or B	Y	MAX	17	28

UNIT: ns

## 27

## TRIPLE 3-INPUT POSITIVE-NOR GATES

$$\bullet Y = \overline{A + B + C}$$

- 74AC11xxx: Product Available in Reduced-Noise Advanced CMOS (11000 Series)
- 74ACT11xxx: Product Available in Reduced-Noise Advanced CMOS (11000 Series)

FUNCTION TABLE  
(each gate)

INPUTS			OUTPUT
A	B	C	Y
H	X	X	L
X	H	X	L
X	X	H	L
L	L	L	H

Logic Diagram (SN74)



ELECTRICAL CHARACTERISTICS AND RECOMMENDED OPERATING CONDITIONS

PARAMETER	MAX or MIN	TTL	LS	ALS	AS	F	SN74 HC	CD74 HC	CD74 HCT	AC 11	ACT 11	LV 3V	LV 5V	UNIT
I <sub>CC</sub>	MAX	26	6.8	4	17.1	12	0.02	0.04	0.04	0.04	0.04	-	0.02	mA
I <sub>OH</sub>	MAX	-0.8	-0.4	-0.4	-2	-1	-4	-4	-4	-24	-24	-6	-12	mA
I <sub>OL</sub>	MAX	16	8	8	20	20	4	4	4	24	24	6	12	mA

SWITCHING CHARACTERISTICS

PARAMETER	INPUT	OUTPUT	MAX or MIN	TTL	LS	ALS	AS	F	SN74 HC	CD74 HC	CD74 HCT	AC 11
t <sub>PLH</sub>	A, B or C	Y	MAX	15	15	15	5.5	5.5	23	29	35	7.7
t <sub>PHL</sub>	A, B or C	Y	MAX	11	15	9	4.5	4.5	23	29	35	8.1

PARAMETER	INPUT	OUTPUT	MAX or MIN	ACT 11	LV 3V	LV 5V
t <sub>PLH</sub>	A, B or C	Y	MAX	10.1	14	9
t <sub>PHL</sub>	A, B or C	Y	MAX	9.4	14	9

UNIT: ns

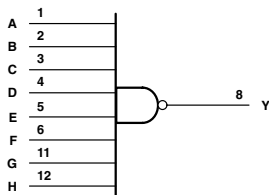
## 8-INPUT POSITIVE-NAND GATES

- $Y = \overline{A \cdot B \cdot C \cdot D \cdot E \cdot F \cdot G \cdot H}$
- 74AC11xxx: Product Available in Reduced-Noise Advanced CMOS (11000 Series)
- 74ACT11xxx: Product Available in Reduced-Noise Advanced CMOS (11000 Series)

FUNCTION TABLE

INPUTS A-H	OUTPUT Y
All inputs H	L
One or more inputs L	H

Logic Diagram (SN74)



ELECTRICAL CHARACTERISTICS AND RECOMMENDED OPERATING CONDITIONS

PARAMETER	MAX or MIN	TTL	LS	S	ALS	AS	F	SN74 HC	CD74 HC	CD74 HCT	AC 11	ACT 11	UNIT
$I_{CC}$	MAX	6	1.1	10	0.9	4.9	4	0.02	0.04	0.04	0.04	0.04	mA
$I_{OH}$	MAX	-0.4	-0.4	-1	-0.4	-2	-1	-4	-4	-4	-24	-24	mA
$I_{OL}$	MAX	16	8	20	8	20	20	4	4	4	24	24	mA

SWITCHING CHARACTERISTICS

PARAMETER	INPUT	OUTPUT	MAX or MIN	TTL	LS	S	ALS	AS	F	SN74 HC	CD74 HC	CD74 HCT	AC 11	ACT 11
$t_{PLH}$	A thru H	Y	MAX	22	15	6	10	5	5.5	33	39	42	7.2	8.5
$t_{PHL}$	A thru H	Y	MAX	15	20	7	12	4.5	5	33	39	42	7.4	8.7

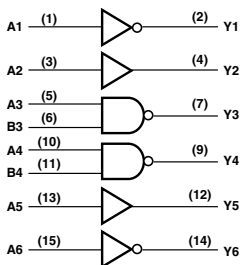
UNIT: ns

## 31

## DELAY ELEMENTS

- Delay Elements for Generating Delay Line
- Inverting and Non-inverting Elements
- Buffer NAND Elements Rated at  $I_{OL}$  of 12/24mA
- P-N-P Inputs Reduce Fan-In ( $I_{IL} = -0.2\text{mA MAX}$ )
- Worst Case MIN/MAX Delays Guaranteed Across Temperature and  $V_{CC}$  Range

Logic Diagram



ELECTRICAL CHARACTERISTICS AND RECOMMENDED OPERATING CONDITIONS

PARAMETER	MAX or MIN	LS	UNIT
$I_{CC}$	MAX	20	mA
$I_{OH}$	Y3, Y4 outputs	MAX	-1.2 mA
	All other outputs	MAX	-0.4 mA
$I_{OL}$	Y3, Y4 outputs	MAX	24 mA
	All other outputs	MAX	8 mA

SWITCHING CHARACTERISTICS

PARAMETER	INPUT	OUTPUT	MAX or MIN	LS
$t_{PLH}$	A1, A6	Y1, Y6	MAX	65
$t_{PHL}$				45
$t_{PLH}$	A2, A5	Y2, Y5	MAX	80
$t_{PHL}$				95
$t_{PLH}$	A3, B3 A4, Y4	Y3, Y4	MAX	15
$t_{PHL}$				15

UNIT: ns

## QUADRUPLE 2-INPUT POSITIVE-OR GATES



●  $Y = A + B$

## ELECTRICAL CHARACTERISTICS AND RECOMMENDED OPERATING CONDITIONS

PARAMETER	MAX or MIN	TTL	LS	S	ALS	AS	F	SN74 HC	CD74 HC	SN74 HCT	CD74 HCT	AC 11	UNIT
$I_{CC}$	MAX	38	9.8	68	4.9	26.6	15.5	0.02	0.04	0.02	0.04	0.04	mA
$I_{OH}$	MAX	-0.8	-0.4	-1	-0.4	-2	-1	-4	-4	-4	-4	-24	mA
$I_{OL}$	MAX	16	8	20	8	20	20	4	4	4	4	24	mA

PARAMETER	MAX or MIN	SN74 AC	CD74 AC	ACT 11	SN74 ACT	CD74 ACT	AHC	AHCT	LV 3V	LV 5V	LVC 3V	ALVC 3V	AUC 1.8V	AUC 2.3V	UNIT
$I_{CC}$	MAX	0.02	0.08	0.04	0.02	0.08	0.02	0.02	0.02	0.02	0.01	0.01	0.01	0.01	mA
$I_{OH}$	MAX	-24	-24	-24	-24	-24	-8	-8	-6	-12	-24	-24	-8	-9	mA
$I_{OL}$	MAX	24	24	24	24	24	8	8	6	12	24	24	8	9	mA

## SWITCHING CHARACTERISTICS

PARAMETER	INPUT	OUTPUT	MAX or MIN	TTL	LS	S	ALS	AS	F	SN74 HC	CD74 HC	SN74 HCT
$t_{PLH}$	A or B	Y	MAX	15	22	7	14	5.8	6.6	25	27	30
$t_{PHL}$	A or B	Y	MAX	22	22	7	12	5.8	-	25	27	30

PARAMETER	INPUT	OUTPUT	MAX or MIN	CD74 HCT	AC 11	SN74 AC	CD74 AC	ACT 11	SN74 ACT	CD74 ACT	AHC	AHCT
$t_{PLH}$	A or B	Y	MAX	36	6.7	8.5	9.5	9	10	12.1	8.5	9
$t_{PHL}$	A or B	Y	MAX	36	5.9	7.5	9.5	8	10	12.1	8.5	9

PARAMETER	INPUT	OUTPUT	MAX or MIN	LV 3V	LV 5V	LVC 3V	ALVC 3V	AUC 1.8V	AUC 2.3V
$t_{PLH}$	A or B	Y	MAX	13	8.5	3.8	2.8	2.5	2.1
$t_{PHL}$	A or B	Y	MAX	13	8.5	3.8	2.8	2.5	2.1

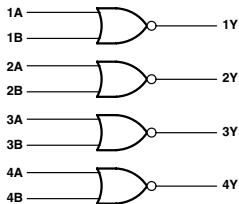
UNIT: ns

### 33

#### QUADRUPLE 2-INPUT POSITIVE-NOR BUFFERS WITH OPEN-COLLECTOR OUTPUTS

●  $Y = \overline{A + B}$

Logic Diagram



ELECTRICAL CHARACTERISTICS AND RECOMMENDED OPERATING CONDITIONS

PARAMETER	MAX or MIN	TTL	LS	ALS	UNIT
$I_{CC}$	MAX	16.5	13.8	9	mA
$V_{OH}$	MAX	5.5	5.5	5.5	V
$I_{OL}$	MAX	48	24	24	mA

SWITCHING CHARACTERISTICS

PARAMETER	INPUT	OUTPUT	MAX or MIN	TTL	LS	ALS
$t_{PLH}$	A or B	Y	MAX	15	32	33
$t_{PHL}$	A or B	Y	MAX	18	28	12

UNIT: ns

### 34

#### HEX BUFFER GATE

●  $Y = A$

Logic Diagram



FUNCTION TABLE  
(each gate)

INPUT A	OUTPUT Y
H	H
L	L

ELECTRICAL CHARACTERISTICS AND RECOMMENDED OPERATING CONDITIONS

PARAMETER	MAX or MIN	AUC 1.8V	AUC 2.5V	UNIT
$I_{CC}$	MAX	0.01	0.01	mA
$I_{DH}$	MAX	-8	-9	mA
$I_{OL}$	MAX	8	9	mA

SWITCHING CHARACTERISTICS

PARAMETER	INPUT	OUTPUT	MAX or MIN	AUC 1.8V	AUC 2.5V
$t_{PLH}$	A	Y	MAX	2.4	1.8
$t_{PHL}$				2.4	1.8

UNIT: ns

# 35

## HEX NONINVERTERS WITH OPEN-COLLECTOR OUTPUTS

● Y = A

### ELECTRICAL CHARACTERISTICS AND RECOMMENDED OPERATING CONDITIONS

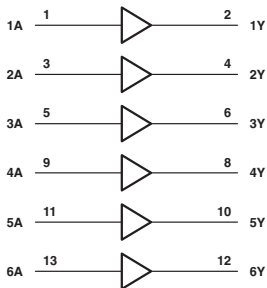
PARAMETER	MAX or MIN	ALS	UNIT
I <sub>CC</sub>	MAX	63	mA
V <sub>OH</sub>	MAX	5.5	V
I <sub>OL</sub>	MAX	8	mA

### SWITCHING CHARACTERISTICS

PARAMETER	INPUT	OUTPUT	MAX or MIN	ALS
t <sub>PLH</sub>	A	Y	MAX	50
t <sub>PHL</sub>	A	Y	MAX	14

UNIT: ns

### Logic Diagram

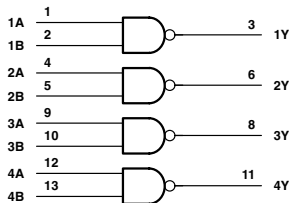




## QUADRUPLE 2-INPUT POSITIVE-NAND BUFFERS

$$\bullet Y = \overline{A \cdot B}$$

Logic Diagram



### ELECTRICAL CHARACTERISTICS AND RECOMMENDED OPERATING CONDITIONS

PARAMETER	MAX or MIN	TTL	LS	S	ALS	F	UNIT
$I_{CC}$	MAX	54	12	80	7.8	33	mA
$I_{OH}$	MAX	-1.2	-1.2	-3	-2.6	-15	mA
$I_{OL}$	MAX	48	24	60	24	64	mA

### SWITCHING CHARACTERISTICS

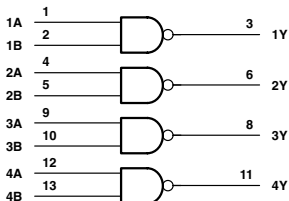
PARAMETER	INPUT	OUTPUT	MAX or MIN	TTL	LS	S	ALS	F
$t_{PLH}$	A or B	Y	MAX	22	24	6.5	8	6.5
$t_{PHL}$	A or B	Y	MAX	15	24	6.5	7	5

UNIT: ns

## QUADRUPLE 2-INPUT POSITIVE-NAND BUFFERS WITH OPEN-COLLECTOR OUTPUTS

$$\bullet Y = \overline{A \cdot B}$$

Logic Diagram



## ELECTRICAL CHARACTERISTICS AND RECOMMENDED OPERATING CONDITIONS

PARAMETER	MAX or MIN	TTL	LS	S	ALS	F	UNIT
$I_{CC}$	MAX	54	12	80	7.8	30	mA
$V_{OH}$	MAX	5.5	5.5	5.5	5.5	4.5	V
$I_{OL}$	MAX	48	24	60	24	64	mA

## SWITCHING CHARACTERISTICS

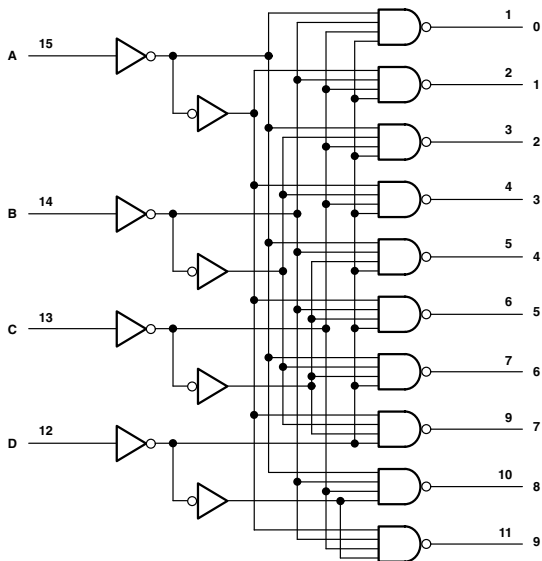
PARAMETER	INPUT	OUTPUT	MAX or MIN	TTL	LS	S	ALS	F
$t_{PLH}$	A or B	Y	MAX	22	32	10	33	13
$t_{PHL}$	A or B	Y	MAX	18	28	10	12	5.5

UNIT: ns

## 4-LINE-TO-10-LINE DECODERS (1 of 10)

- All Outputs Are High for Invalid Input Conditions
- Also for Applications as
  - 3-Line to 8-Line Decoders
  - 4-Line to 16-Line Decoders
- Full Decoding of Valid Input Logic Ensures That All Inputs Remain Off for All Invalid Input Conditions

Logic Diagram (SN74)



FUNCTION TABLE (SN74)

No.	INPUTS				OUTPUTS									
	D	C	B	A	0	1	2	3	4	5	6	7	8	9
0	L	L	L	L	L	H	H	H	H	H	H	H	H	H
1	L	L	L	H	H	L	H	H	H	H	H	H	H	H
2	L	L	H	L	H	H	L	H	H	H	H	H	H	H
3	L	L	H	H	H	H	H	L	H	H	H	H	H	H
4	L	H	L	L	H	H	H	H	L	H	H	H	H	H
5	L	H	L	H	H	H	H	H	H	L	H	H	H	H
6	L	H	H	L	H	H	H	H	H	H	L	H	H	H
7	L	H	H	H	H	H	H	H	H	H	L	H	H	H
8	H	L	L	L	H	H	H	H	H	H	H	L	H	H
9	H	L	L	H	H	H	H	H	H	H	H	H	L	L
INVALID	H	L	H	L	H	H	H	H	H	H	H	H	H	H
	H	L	H	H	H	H	H	H	H	H	H	H	H	H
	H	H	L	L	H	H	H	H	H	H	H	H	H	H
	H	H	L	H	H	H	H	H	H	H	H	H	H	H
	H	H	H	L	H	H	H	H	H	H	H	H	H	H
	H	H	H	H	H	H	H	H	H	H	H	H	H	H

## ELECTRICAL CHARACTERISTICS AND RECOMMENDED OPERATING CONDITIONS

PARAMETER	MAX or MIN	TTL	LS	SN74 HC	CD74 HC	CD74 HCT	UNIT
I <sub>CC</sub>	MAX	56	13	0.08	0.16	0.16	mA
I <sub>OH</sub>	MAX	-0.8	-0.4	-4	-4	-4	mA
I <sub>OL</sub>	MAX	16	8	4	4	4	mA

## SWITCHING CHARACTERISTICS

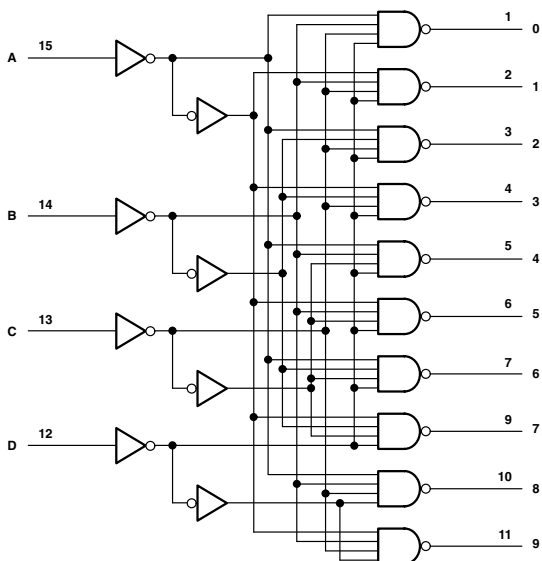
PARAMETER	INPUT	OUTPUT	MAX or MIN	TTL	LS	SN74 HC	CD74 HC	CD74 HCT
$t_{PLH}$ 2Level - Logic	A, B, C or D	0-9	MAX	25	25	38	45	53
$t_{PHL}$ 2Level - Logic		0-9		25	25	38	45	53
$t_{PLH}$ 3Level - Logic	A, B, C or D	0-9	MAX	30	30	38	45	53
$t_{PHL}$ 3Level - Logic		0-9		30	30	38	45	53

UNIT: ns

## BCD-TO-DECIMAL DECODERS/DRIVERS

- 80-mA Sink-Current Capability
- All Outputs Are Off for Invalid BCD Input Conditions

Logic Diagram (SN74)



FUNCTION TABLE

No.	INPUTS				OUTPUTS									
	D	C	B	A	0	1	2	3	4	5	6	7	8	9
0	L	L	L	L	L	H	H	H	H	H	H	H	H	H
1	L	L	L	H	H	L	H	H	H	H	H	H	H	H
2	L	L	H	L	H	H	L	H	H	H	H	H	H	H
3	L	L	H	H	H	H	H	L	H	H	H	H	H	H
4	L	H	L	L	H	H	H	H	L	H	H	H	H	H
5	L	H	L	H	H	H	H	H	L	H	H	H	H	H
6	L	H	H	L	H	H	H	H	H	L	H	H	H	H
7	L	H	H	H	H	H	H	H	H	H	L	H	H	H
8	H	L	L	L	H	H	H	H	H	H	H	L	H	H
9	H	L	L	H	H	H	H	H	H	H	H	H	L	L
INVALID	H	L	H	L	H	H	H	H	H	H	H	H	H	H
	H	L	H	H	H	H	H	H	H	H	H	H	H	H
	H	H	L	L	H	H	H	H	H	H	H	H	H	H
	H	H	L	H	H	H	H	H	H	H	H	H	H	H
	H	H	H	L	H	H	H	H	H	H	H	H	H	H
	H	H	H	H	H	H	H	H	H	H	H	H	H	H

## ELECTRICAL CHARACTERISTICS AND RECOMMENDED OPERATING C

PARAMETER	MAX or MIN	TTL	UNIT
I <sub>CC</sub>	MAX	70	mA
V <sub>O</sub> (on)	MAX	0.9	V
I <sub>OL</sub>	MAX	80	mA

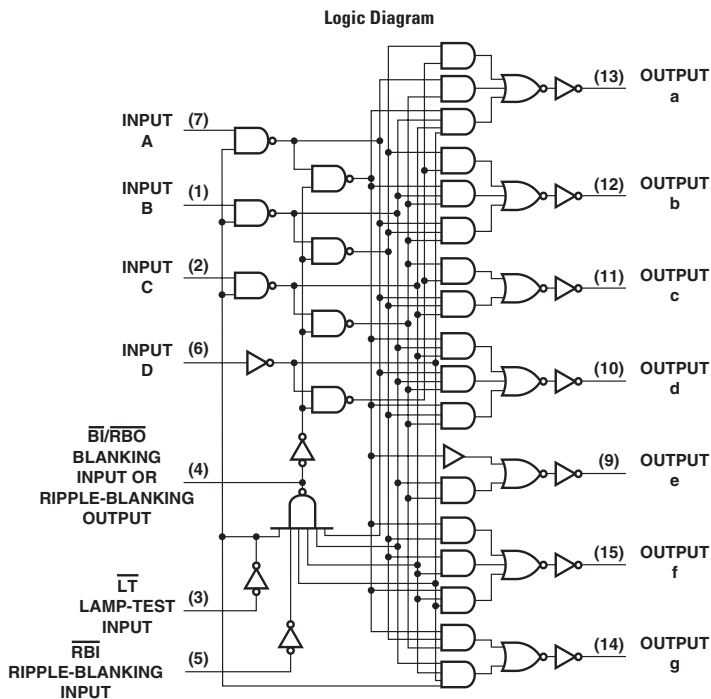
## SWITCHING CHARACTERISTICS

PARAMETER	MAX or MIN	TTL
t <sub>PLH</sub>	MAX	25
t <sub>PHL</sub>		25

UNIT: ns

## BCD-TO-SEVEN-SEGMENT DECODERS/DRIVERS

- Open-Collector Outputs
- Lamp-Test Provision
- Leading/Trailing Zero Suppression



### FUNCTION TABLE

No.	INPUTS						$\overline{\text{BI}}/\overline{\text{RBI}}^\dagger$	OUTPUTS						
	$\overline{\text{LT}}$	$\overline{\text{RBI}}$	D	C	B	A		a	b	c	d	e	f	g
0	H	H	L	L	L	L	H	ON	ON	ON	ON	ON	ON	ON
1	H	X	L	L	L	H	H	OFF	ON	ON	OFF	OFF	OFF	OFF
2	H	X	L	L	H	L	H	ON	ON	OFF	ON	ON	OFF	ON
3	H	X	L	L	H	H	H	ON	ON	ON	ON	OFF	OFF	ON
4	H	X	L	H	L	L	H	OFF	ON	ON	OFF	OFF	ON	ON
5	H	X	L	H	L	H	H	ON	OFF	ON	ON	OFF	ON	ON
6	H	X	L	H	H	L	H	OFF	OFF	ON	ON	ON	ON	ON
7	H	X	L	H	H	H	H	ON	ON	ON	OFF	OFF	OFF	OFF
8	H	X	H	L	L	L	H	ON	ON	ON	ON	ON	ON	ON
9	H	X	H	L	L	H	H	ON	ON	ON	OFF	OFF	ON	ON
10	H	X	H	L	H	L	H	OFF	ON	OFF	ON	ON	OFF	ON
11	H	X	H	L	H	H	H	OFF	OFF	ON	ON	OFF	OFF	ON
12	H	X	H	H	L	L	H	OFF	ON	OFF	OFF	OFF	ON	ON
13	H	X	H	H	L	H	H	ON	OFF	OFF	ON	OFF	ON	ON
14	H	X	H	H	L	L	H	OFF	OFF	OFF	ON	ON	ON	ON
15	H	X	H	H	H	H	H	OFF	OFF	OFF	OFF	OFF	OFF	OFF
BI	X	X	X	X	X	X	L	OFF	OFF	OFF	OFF	OFF	OFF	OFF
RBI	H	L	L	L	L	L	L	OFF	OFF	OFF	OFF	OFF	OFF	OFF
LT	L	X	X	X	X	X	H	ON	ON	ON	ON	ON	ON	ON

H = high level, L = low level, irrelevant

- NOTES: 1. The blanking input ( $\overline{\text{BI}}$ ) must be open held at high logic level when output functions 0 through 15 are desired. The ripple-blanking input ( $\overline{\text{RBI}}$ ) must be open or high if blanking of a decimal zero is not desired.
2. When a low logic level is applied directly to the blanking input ( $\overline{\text{BI}}$ ), all segment outputs are off regardless of the level of any other input.
3. When ripple-blanking input ( $\overline{\text{RBI}}$ ) and inputs A, B, C, and D are at a low level with the lamp test input high, all segment outputs go off and the ripple-blanking input/ripple blanking output ( $\overline{\text{BI}}/\overline{\text{RBI}}$ ) is open or held high and a low is applied to the lamp-test input, all segment outputs are on.

$^\dagger$   $\overline{\text{BI}}/\overline{\text{RBI}}$  is wire AND logic serving as blanking input ( $\overline{\text{BI}}$ ) and/or ripple-blanking output ( $\overline{\text{RBI}}$ ).

#### ELECTRICAL CHARACTERISTICS AND RECOMMENDED OPERATING CONDITIONS

PARAMETER	MAX or MIN	TTL	LS	UNIT
$I_{CC}$	MAX	103	13	mA
$I_{OH}$	MAX	-0.2	-0.05	mA
$I_{OL}$	MAX	8	3.2	mA

#### TIMING REQUIREMENTS AND SWITCHING CHARACTERISTICS

PARAMETER	INPUT	OUTPUT	MAX or MIN	TTL	LS
$t_{OFF}$	A	A to g	MAX	100	100
$t_{ON}$	A	A to g	MAX	100	100
$t_{OFF}$	$\overline{\text{RBI}}$	A to g	MAX	100	100
$t_{ON}$	$\overline{\text{RBI}}$	A to g	MAX	100	100

UNIT: ns

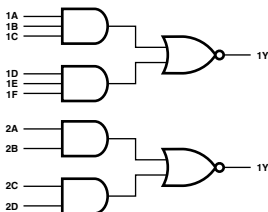


## AND-OR-INVERT GATES

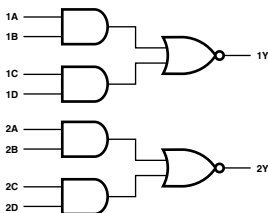
- '51, 'S51:  $Y = \overline{AB + CD}$
- 'F51, 'LS51:  $1Y = \overline{(1A \cdot 1B \cdot 1C) + (1D \cdot 1E \cdot 1F)}$
- 'HC51:  $2Y = \overline{(2A \cdot 2B) + (2C \cdot 2D)}$

## Logic Diagram

LS51



S51



## ELECTRICAL CHARACTERISTICS AND RECOMMENDED OPERATING CONDITIONS

PARAMETER	MAX or MIN	TTL	LS	S	F	SN74 HC	UNIT
$I_{CC}$	MAX	14	2.8	22	7.5	0.08	mA
$I_{OH}$	MAX	-0.4	-0.4	-1	-1	-4	mA
$I_{OL}$	MAX	16	8	20	20	4	mA

## SWITCHING CHARACTERISTICS

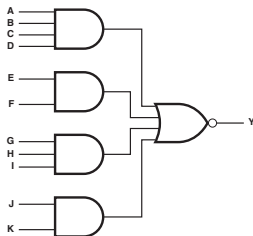
PARAMETER	INPUT	OUTPUT	MAX or MIN	TTL	LS	S	F	SN74 HC
$t_{PLH}$	Any	Y	MAX	22	20	5.5	6.5	35
$t_{PHL}$	Any	Y	MAX	15	20	5.5	4.5	35

UNIT: ns

### 4-2-3-2 INPUT AND-OR INVERT GATES

$$\bullet Y = \overline{ABCD + EF + GHI + JK}$$

Logic Diagram



#### ELECTRICAL CHARACTERISTICS AND RECOMMENDED OPERATING CONDITIONS

PARAMETER	MAX or MIN	S	F	UNIT
I <sub>CC</sub>	MAX	16	4.7	mA
I <sub>OH</sub>	MAX	-1	-1	mA
I <sub>OL</sub>	MAX	20	20	mA

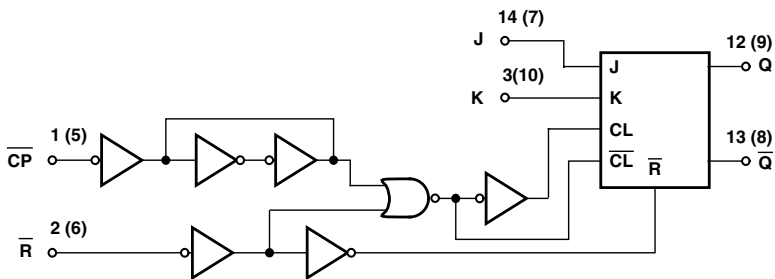
#### SWITCHING CHARACTERISTICS

PARAMETER	INPUT	OUTPUT	MAX or MIN	S	F
t <sub>PLH</sub>	Any	Y	MAX	5.5	7
t <sub>PHL</sub>	Any	Y	MAX	5.5	5.5

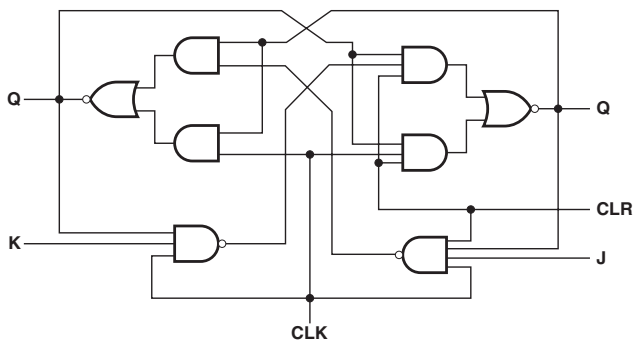
UNIT: ns

## DUAL J-K FLIP-FLOPS WITH CLEAR

Logic Diagram



CD74HC/HCT73



SN74LS73

FUNCTION TABLE (SN74)

INPUTS				OUTPUTS	
CLEAR	CLOCK	J	K	Q	$\bar{Q}$
L	X	X	X	L	H
H	↓	L	L	Q <sub>0</sub>	$\bar{Q}$ <sub>0</sub>
H	↓	H	L	H	L
H	↓	L	H	L	H
H	↓	H	H	TOGGLE	TOGGLE
H	H	X	X	Q <sub>0</sub>	$\bar{Q}$ <sub>0</sub>

TRUTH TABLE (CD74)

INPUTS				OUTPUTS	
$\bar{R}$	$\bar{CP}$	J	K	Q	$\bar{Q}$
L	X	X	X	L	H
H	↓	L	L	No Change	No Change
H	↓	H	L	H	L
H	↓	L	H	L	H
H	↓	H	H	Toggle	Toggle
H	H	X	X	No Change	No Change

NOTE:

H = High Level (Steady State)

L = Low Level (Steady State)

X = Irrelevant

↓ = High-to-Low Transition

## ELECTRICAL CHARACTERISTICS AND RECOMMENDED OPERATING CONDITIONS

PARAMETER	MAX or MIN	TTL	LS	SN74 HC	CD74 HC	CD74 HCT	UNIT
I <sub>CC</sub>	MAX	20	6	0.04	0.08	0.08	mA
I <sub>OH</sub>	MAX	16	8	4	4	4	mA
I <sub>OL</sub>	MAX	-0.4	-0.4	-4	-4	-4	mA

## TIMING REQUIREMENTS AND SWITCHING CHARACTERISTICS

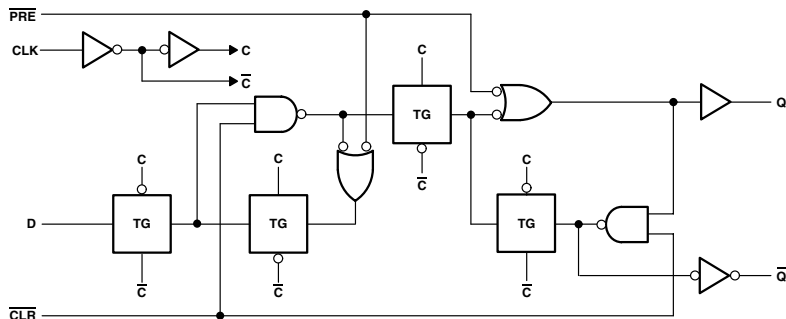
PARAMETER	INPUT	OUTPUT	MAX or MIN	TTL	LS	SN74 HC	CD74 HC	CD74 HCT
f <sub>max</sub>			MIN	15	30	25	20	20
t <sub>w</sub>	CLOCK "L"		MIN	20	-	20	-	-
	CLOCK "H"			47	20	20	-	-
	CP Pulse Wide			-	-	-	24	24
	CLEAR "L"			25	20	20	24	27
t <sub>su</sub>	CLK		MIN	0 ↑	20 ↓	25 ↓	-	-
	J,K to CP		-	-	-	24	24	
t <sub>h</sub>	CLK		MIN	0 ↓	0 ↓	0 ↓	-	-
	J,K to $\bar{CP}$		-	-	-	3	3	
t <sub>PLH</sub>	$\bar{CLEAR}$	$\bar{Q}$	MAX	25	20	39	44	51
t <sub>PHL</sub>				-	20	39	44	51
t <sub>PLH</sub>	$\bar{CLEAR}$	Q	MAX	-	20	39	44	51
t <sub>PHL</sub>				40	20	39	44	51
t <sub>PLH</sub>	CLOCK	Q or $\bar{Q}$	MAX	25	20	32	-	-
t <sub>PHL</sub>				40	20	32	-	-
t <sub>PLH</sub>	$\bar{CP}$	Q	MAX	-	-	-	48	57
t <sub>PHL</sub>				-	-	-	48	57
t <sub>PLH</sub>	$\bar{CP}$	$\bar{Q}$	MAX	-	-	-	48	54
t <sub>PHL</sub>				-	-	-	48	54

UNIT f<sub>max</sub> : MHz, other : ns

## DUAL D-TYPE POSITIVE-EDGE-TRIGGERED FLIP-FLOPS WITH CLEAR AND PRESET

- 74AC11xxx: Product Available in Reduced-Noise Advanced CMOS (11000 Series)
- 74ACT11xxx: Product Available in Reduced-Noise Advanced CMOS (11000 Series)

Logic Diagram (SN74)



FUNCTION TABLE (SN74)

INPUTS				OUTPUTS	
PRE	CLR	CLOCK	D	Q	$\bar{Q}$
L	H	X	X	H	L
H	L	X	X	L	H
L	L	X	X	H*	H*
H	H	↑	H	H	L
H	H	↑	L	L	H
H	H	L	X	Q <sub>0</sub>	$\bar{Q}_0$

† This configuration is unstable; that is, it does not persist when PRE or CLR returns to its inactive (high) level.

## ELECTRICAL CHARACTERISTICS AND RECOMMENDED OPERATING CONDITIONS

PARAMETER	MAX or MIN	TTL	LS	S	ALS	AS	F	SN74 HC	CD74 HC	SN74 HCT	CD74 HCT	AC 11	SN74 AC	UNIT
I <sub>CC</sub>	MAX	15	8	25	4	16	16	0.04	0.08	0.04	0.08	0.04	0.02	mA
I <sub>OH</sub>	MAX	-0.4	-0.4	-1	-0.4	-2	-1	-4	-4	-4	-4	-24	-24	mA
I <sub>OL</sub>	MAX	16	8	20	8	20	20	4	4	4	4	24	24	mA

PARAMETER	MAX or MIN	CD74 AC	ACT 11	SN74 ACT	CD74 ACT	AHC	AHCT	LV 3V	LV 5V	LVC 3V	AUC 1.8V	AUC 2.5V	UNIT
I <sub>CC</sub>	MAX	0.08	0.04	0.02	0.08	0.02	0.02	-	0.02	0.01	0.01	0.01	mA
I <sub>OH</sub>	MAX	-24	-24	-24	-24	-8	-8	-6	-12	-24	-8	-9	mA
I <sub>OL</sub>	MAX	24	24	24	24	8	8	6	12	24	8	9	mA

## TIMING REQUIREMENTS AND SWITCHING CHARACTERISTICS

PARAMETER	INPUT	OUTPUT	MAX or MIN	TTL	LS	S	ALS	AS	F	SN74 HC	CD74 HC	
f <sub>max</sub>			MIN	15	25	75	34	105	100	25	20	
t <sub>w</sub>	CLOCK'H'		MIN	30	25	6	14.5	4	4	20	24	
			CLOCK'L'	MIN	37	-	7.3	14.5	5.5	5	20	24
			PRE, CLR 'L'	MIN	30	25	7	15	4	4	25	24
t <sub>su</sub>	DATA		MIN	20	20	3	15	4.5	3	25	18	
			PRE, CLR INACTIVE	MIN	20	-	-	10	2	2	6	-
t <sub>h</sub>			MIN	5	5	2	0	0	1	0	3	
↑PLH	PRE	Q or Q̄	MAX	25	25	6	13	7.5	7.1	58	60	
↑PHL				40	40	13.5	15	10.5	10.5	58	60	
↑PLH	CLR	Q or Q̄	MAX	25	25	6	13	7.5	7.1	58	60	
↑PHL				40	40	13.5	15	10.5	10.5	58	60	
↑PLH	CLOCK	Q or Q̄	MAX	25	25	9	16	8	7.8	44	53	
↑PHL				40	40	9	18	9	9.2	44	53	

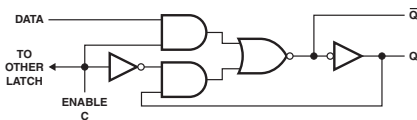
PARAMETER	INPUT	OUTPUT	MAX or MIN	SN74 HCT	CD74 HCT	AC 11	SN74 AC	CD74 AC	ACT 11	SN74 ACT	CD74 ACT	
f <sub>max</sub>			MIN	22	16	125	125	110	100	125	85	
t <sub>w</sub>	CLOCK'H'		MIN	23	27	4	5	4.5	5	6	5.7	
			CLOCK'L'	MIN	23	27	4	5	4.5	5	6	5.7
			PRE, CLR 'L'	MIN	20	24	4	5	4	5	6	5
t <sub>su</sub>	DATA		MIN	15	18	3.5	3	3.5	4.5	3.5	4	
			PRE, CLR INACTIVE	MIN	0	-	1	0	-	2	0	-
t <sub>h</sub>			MIN	0	3	0	0.5	0	0	1	0	
↑PLH	PRE	Q or Q̄	MAX	44	60	7.1	10	10.5	9.6	10.5	11.5	
↑PHL				44	60	9	10.5	11.5	12.5	11.5	12.5	
↑PLH	CLR	Q or Q̄	MAX	44	60	7.1	10	10.5	9.6	10.5	11.5	
↑PHL				44	60	9	10.5	11.5	12.5	11.5	12.5	
↑PLH	CLOCK	Q or Q̄	MAX	35	53	8.2	10.5	10	9.4	13.0	9.5	
↑PHL				35	53	7.5	10.5	10	8.8	11.5	9.5	

PARAMETER	INPUT	OUTPUT	MAX or MIN	AHC	AHCT	LV 3V	LV 5V	LVC 3V	AUC 1.8V	AUC 2.5V	
f <sub>max</sub>			MIN	75	65	45	75	100	300	350	
t <sub>w</sub>	CLOCK'H'		MIN	5	5	7	5	3.3	0.5	0.5	
			CLOCK'L'	MIN	5	5	7	5	3.3	0.5	0.5
			PRE, CLR 'L'	MIN	5	5	7	5	3.3	1.5	1.5
t <sub>su</sub>	DATA		MIN	5	5	7	5	3	0.6	0.7	
			PRE, CLR INACTIVE	MIN	3	3.5	5	3	2	0.2	0.3
t <sub>h</sub>			MIN	0.5	0	0.5	0.5	0	0.3	0.3	
↑PLH	PRE	Q or Q̄	MAX	11	13	18	11	5.4	3.1	2.5	
↑PHL				11	13	18	11	5.4	3.1	2.5	
↑PLH	CLR	Q or Q̄	MAX	11	13	18	11	5.4	3	2.4	
↑PHL				11	13	18	11	5.4	3	2.4	
↑PLH	CLOCK	Q or Q̄	MAX	10.5	10	17.5	10.5	5.2	2.8	2.2	
↑PHL				10.5	10	17.5	10.5	5.2	2.8	2.2	

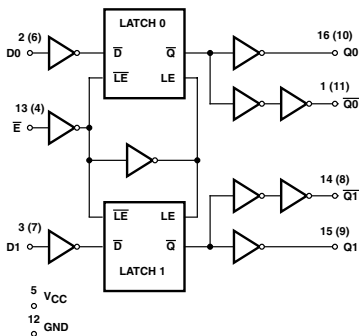
UNIT f<sub>max</sub> : MHz, other : ns

## 4-BIT BISTABLE LATCHES

## Logic Diagram



SN74LS75



CD74HC/HCT75

FUNCTION TABLE  
(SN74)

INPUTS		OUTPUTS	
D	C	Q	$\bar{Q}$
L	H	L	H
H	H	H	L
X	L	$Q_0$	$\bar{Q}_0$

## ELECTRICAL CHARACTERISTICS AND RECOMMENDED OPERATING CONDITIONS

PARAMETER	MAX or MIN	TTL	LS	SN74 HC	CD74 HC	CD74 HCT	UNIT
$I_{CC}$	MAX	53	12	0.04	0.08	0.08	mA
$I_{OH}$	MAX	-0.4	-0.4	-4	-4	-4	mA
$I_{OL}$	MAX	16	8	4	4	4	mA

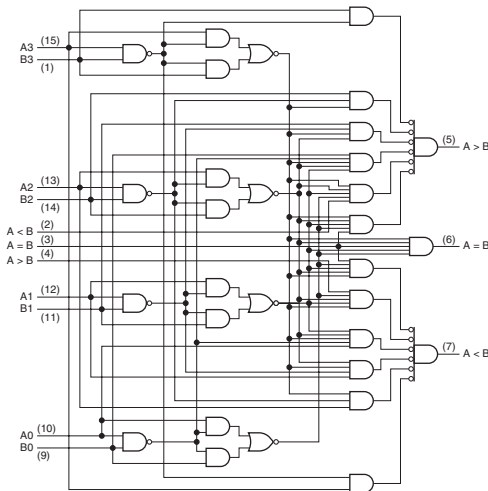
## TIMING REQUIREMENTS AND SWITCHING CHARACTERISTICS

PARAMETER	INPUT	OUTPUT	MAX or MIN	TTL	LS	SN74 HC	CD74 HC	CD74 HCT
$t_w$			MIN	20	20	20	24	24
$t_{su}$			MIN	20	20	25	18	18
$t_h$			MIN	5	5	5	3	3
$t_{PLH}$	D	Q	MAX	30	27	30	33	42
$t_{PHL}$	D	$\bar{Q}$	MAX	25	17	30	33	42
$t_{PLH}$	D	Q	MAX	40	20	30	39	42
$t_{PHL}$	D	$\bar{Q}$	MAX	15	15	30	39	42
$t_{PLH}$	G	Q	MAX	30	27	33	39	42
$t_{PHL}$	G	$\bar{Q}$	MAX	15	25	33	39	42
$t_{PLH}$	G	Q	MAX	30	30	33	39	45
$t_{PHL}$	G	$\bar{Q}$	MAX	15	15	33	39	45

UNIT: ns

## 4-BIT MAGNITUDE COMPARATORS

## Logic Diagram (SN74)



FUNCTION TABLE (SN74)

COMPARING INPUTS				CASCADING INPUTS			OUTPUTS		
A3, B3	A2, B2	A1, B1	A0, B0	A>B	A<B	A=B	A>B	A<B	A=B
A3=B3	X	X	X	X	X	X	H	L	L
A3<B3	X	X	X	X	X	X	L	H	L
A3=B3	A2<B2	X	X	X	X	X	H	L	L
A3=B3	A2=B2	X	X	X	X	X	L	H	L
A3=B3	A2=B2	A1>B1	X	X	X	X	H	L	L
A3=B3	A2=B2	A1<B1	X	X	X	X	L	H	L
A3=B3	A2=B2	A1=B1	A0>B0	X	X	X	H	L	L
A3=B3	A2=B2	A1=B1	A0<B0	X	X	X	L	H	L
A3=B3	A2=B2	A1=B1	A0=B0	H	L	L	H	L	L
A3=B3	A2=B2	A1=B1	A0=B0	L	H	L	L	H	L
A3=B3	A2=B2	A1=B1	A0=B0	H	H	L	L	L	L
A3=B3	A2=B2	A1=B1	A0=B0	L	L	L	H	H	L
A3=B3	A2=B2	A1=B1	A0=B0	X	X	H	L	L	H

## ELECTRICAL CHARACTERISTICS AND RECOMMENDED OPERATING CONDITIONS

PARAMETER	MAX or MIN	TTL	LS	S	SN74 HC	CD74 HC	CD74 HCT	UNIT
I <sub>CC</sub>	MAX	88	20	115	0.08	0.16	0.16	mA
I <sub>OH</sub>	MAX	-0.4	-0.4	-1	-4	-4	-4	mA
I <sub>OL</sub>	MAX	16	8	20	4	4	4	mA

## SWITCHING CHARACTERISTICS

PARAMETER	INPUT	OUTPUT	Number of Gate Levels	MAX or MIN	TTL	LS	S	SN74 HC	CD74 HC	CD74 HCT
t <sub>PLH</sub>	Any A or B data input	A < B, A > B	3	MAX	26	36	16	58	59	56
		A = B	4	MAX	35	45	18	50	53	60
t <sub>PHL</sub>	Any A or B data input	A < B, A > B	3	MAX	30	30	16.5	58	59	56
		A = B	4	MAX	30	45	16.5	50	53	60
t <sub>PLH</sub>	A < B, A = B	A > B	1	MAX	11	22	7.5	44	42	45
		A < B, A = B	1		17	17	8.5	44	42	45
t <sub>PHL</sub>	A = B	A = B	2	MAX	20	20	10.5	37	-	-
		A = B	2		17	26	7.5	37	-	-
t <sub>PLH</sub>	A > B, A = B	A < B	1	MAX	11	22	7.5	44	42	45
		A > B, A = B	1		17	17	8.5	44	42	45

UNIT: ns

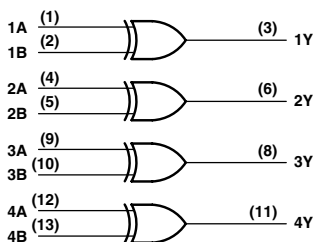


## QUADRUPLE 2-INPUT EXCLUSIVE-OR GATES

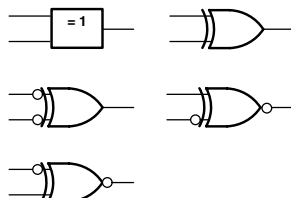
- $Y = A \oplus B$  or  $Y = \bar{A}B + A\bar{B}$
- 74AC11xxx: Product Available in Reduced-Noise Advanced CMOS (11000 Series)
- 74ACT11xxx: Product Available in Reduced-Noise Advanced CMOS (11000 Series)

An exclusive-OR gate has many applications, some of which can be represented better by alternative logic symbols.

Logic Diagram (SN74)



Exclusive OR



### ELECTRICAL CHARACTERISTICS AND RECOMMENDED OPERATING CONDITIONS

PARAMETER	MAX or MIN	TTL	LS	S	ALS	AS	F	SN74 HC	CD74 HC	CD74 HCT	AC 11	SN74 AC	CD74 AC	ACT 11	UNIT
$I_{CC}$	MAX	50	10	75	5.9	38	28	0.02	0.04	0.04	0.04	0.02	0.08	0.04	mA
$I_{OH}$	MAX	16	8	20	8	20	20	4	4	4	24	24	24	24	mA
$I_{OL}$	MAX	-0.8	-0.4	-1	-0.4	-2	-1	-4	-4	-4	-24	-24	-24	-24	mA

PARAMETER	MAX or MIN	SN74 ACT	CD74 ACT	AHC	AHCT	LV 3V	LV 5V	LVC 3V	UNIT
$I_{CC}$	MAX	0.04	0.08	0.02	0.02	-	0.02	0.01	mA
$I_{OH}$	MAX	24	24	-10	8	6	12	24	mA
$I_{OL}$	MAX	-24	-24	10	-8	-6	-12	-24	mA

### SWITCHING CHARACTERISTICS

PARAMETER	INPUT	OUTPUT	MAX or MIN	TTL	LS	S	ALS	AS	F	SN74 HC	CD74 HC	CD74 HCT	AC 11
$t_{PLH}$ Input Low	A or B	Y	MAX	23	23	10.5	17	7.5	6.5	25	36	48	7.6
$t_{PHL}$ Input Low		Y	MAX	17	17	10	12	6.5	6.5	25	36	48	6.8
$t_{PLH}$ Input High	A or B	Y	MAX	30	30	10.5	17	6.5	8	25	36	48	7.6
$t_{PHL}$ Input High		Y	MAX	22	22	10	10	7	7.5	25	36	48	6.8

PARAMETER	INPUT	OUTPUT	MAX or MIN	SN74 AC	CD74 AC	ACT 11	SN74 ACT	CD74 ACT	AHC	AHCT	LV 3V	LV 5V	LVC 3V
$t_{PLH}$ Input Low	A or B	Y	MAX	9	10.8	9.6	10	14.6	10	10	16.5	10	4.6
$t_{PHL}$ Input Low		Y	MAX	9.5	10.8	9	10.5	14.6	10	10	16.5	10	4.6
$t_{PLH}$ Input High	A or B	Y	MAX	9	10.8	9.6	10	14.6	10	10	16.5	10	4.6
$t_{PHL}$ Input High		Y	MAX	9.5	10.8	9	10.5	14.6	10	10	16.5	10	4.6

UNIT: ns

## DECADE COUNTER

FUNCTION TABLE

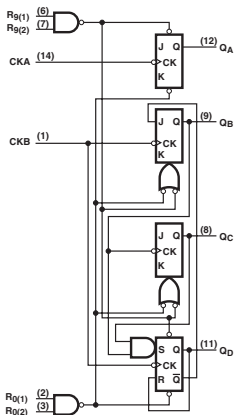
Count	BCD COUNT SEQUENCE			
	Q <sub>D</sub>	Q <sub>C</sub>	Q <sub>B</sub>	Q <sub>A</sub>
0	L	L	L	L
1	L	L	L	H
2	L	L	H	L
3	L	L	H	H
4	L	H	L	L
5	X	H	L	H
6	L	H	H	L
7	L	H	H	H
8	H	L	L	L
9	H	L	L	H

Count	BI-QUINARY			
	Q <sub>A</sub>	Q <sub>D</sub>	Q <sub>C</sub>	Q <sub>B</sub>
0	L	L	L	L
1	L	L	L	H
2	L	L	H	L
3	L	L	H	H
4	L	H	L	L
5	H	L	L	L
6	H	L	L	H
7	H	L	H	L
8	H	L	H	H
9	H	H	L	L

RESET/COUNT

RESET INPUTS				OUTPUTS			
R <sub>0</sub> (1)	R <sub>0</sub> (2)	R <sub>9</sub> (1)	R <sub>9</sub> (2)	Q <sub>D</sub>	Q <sub>C</sub>	Q <sub>B</sub>	Q <sub>A</sub>
H	H	L	X	L	L	L	L
H	H	X	L	L	L	L	L
X	X	H	H	H	L	L	H
X	L	X	L				Count
L	X	L	X				Count
L	X	X	L				Count
X	L	L	X				Count

Logic Diagram



ELECTRICAL CHARACTERISTICS AND RECOMMENDED OPERATING CONDITIONS

PARAMETER	MAX or MIN	TTL	LS	UNIT
I <sub>CC</sub>	MAX	39	15	mA
I <sub>OH</sub>	MAX	-0.8	-0.4	mA
I <sub>OL</sub>	MAX	16	8	mA

TIMING REQUIREMENTS AND SWITCHING CHARACTERISTICS

PARAMETER	INPUT	OUTPUT	MAX or MIN	TTL	LS
f <sub>max</sub>	A	Q <sub>A</sub>	MIN	32	32
	B	Q <sub>B</sub>		16	16
t <sub>w</sub>	A		MIN	15	15
	B			30	30
	RESET			15	30
t <sub>su</sub>	RESET INACTIVE		MIN	25	25
t <sub>PLH</sub>	A	Q <sub>A</sub>	MAX	16	16
t <sub>PHL</sub>				18	18
t <sub>PLH</sub>	A	Q <sub>D</sub>	MAX	48	48
t <sub>PHL</sub>				50	50
t <sub>PLH</sub>	B	Q <sub>B</sub>	MAX	16	16
t <sub>PHL</sub>				21	21
t <sub>PLH</sub>	B	Q <sub>C</sub>	MAX	32	32
t <sub>PHL</sub>				35	35
t <sub>PLH</sub>	B	Q <sub>C</sub>	MAX	32	32
t <sub>PHL</sub>				35	35
t <sub>PHL</sub>	Set to 0	Any	MAX	40	40
t <sub>PLH</sub>	Set to 9	Q <sub>A</sub> , Q <sub>D</sub>	MAX	30	30
		Q <sub>B</sub> , Q <sub>C</sub>		40	40

UNIT f<sub>max</sub> : MHz, other : ns

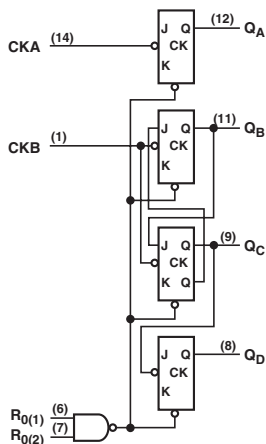
## DIVIDE-BY-TWELVE DECODE COUNTERS

FUNCTION TABLE  
COUNT SEQUENCE

COUNT	OUTPUTS			
	Q <sub>D</sub>	Q <sub>C</sub>	Q <sub>B</sub>	Q <sub>A</sub>
0	L	L	L	L
1	L	L	L	H
2	L	L	H	L
3	L	L	H	H
4	L	H	L	L
5	L	H	L	H
6	H	L	L	L
7	H	L	L	H
8	H	L	H	L
9	H	L	H	H
10	H	H	L	L
11	H	H	L	H

RESET/COUNT

RESET INPUTS		OUTPUTS			
R <sub>0</sub> (1)	R <sub>0</sub> (2)	Q <sub>D</sub>	Q <sub>C</sub>	Q <sub>B</sub>	Q <sub>A</sub>
H	H	L	L	L	L
L	X	COUNT			
X	L	COUNT			



## ELECTRICAL CHARACTERISTICS AND RECOMMENDED OPERATING CONDITIONS

PARAMETER	MAX or MIN	TTL	LS	UNIT
I <sub>CC</sub>	MAX	39	15	mA
I <sub>OH</sub>	MAX	-0.8	-0.4	mA
I <sub>OL</sub>	MAX	16	8	mA

## TIMING REQUIREMENTS AND SWITCHING CHARACTERISTICS

PARAMETER	INPUT	OUTPUT	MAX or MIN	TTL	LS
f <sub>max</sub>	A	Q <sub>A</sub>	MIN	32	32
	B	Q <sub>B</sub>		16	16
t <sub>w</sub>	A		MIN	15	15
	B			30	30
	RESET			15	30
t <sub>su</sub>	RESET INACTIVE		MIN	25	25
t <sub>PLH</sub>	A	Q <sub>A</sub>	MAX	16	16
t <sub>PHL</sub>				18	18
t <sub>PLH</sub>	A	Q <sub>D</sub>	MAX	48	48
t <sub>PHL</sub>				50	50
t <sub>PLH</sub>	B	Q <sub>B</sub>	MAX	16	16
t <sub>PHL</sub>				21	21
t <sub>PLH</sub>	B	Q <sub>C</sub>	MAX	16	16
t <sub>PHL</sub>				21	21
t <sub>PLH</sub>	B	Q <sub>D</sub>	MAX	32	32
t <sub>PHL</sub>				35	35
t <sub>PHL</sub>	Set to 0	Any	MAX	40	40

UNIT f<sub>max</sub> : MHz, other : ns

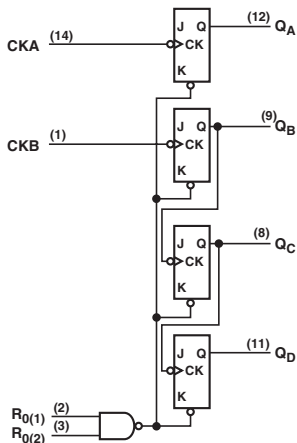
## 4-BIT BINARY COUNTERS

FUNCTION TABLE (SN74)  
COUNT SEQUENCE

COUNT	OUTPUTS			
	Q <sub>D</sub>	Q <sub>C</sub>	Q <sub>B</sub>	Q <sub>A</sub>
0	L	L	L	L
1	L	L	L	H
2	L	L	H	L
3	L	L	H	H
4	L	H	L	L
5	L	H	L	H
6	L	H	H	L
7	L	H	H	H
8	H	L	L	L
9	H	L	L	H
10	H	L	H	L
11	H	L	H	H
12	H	H	L	L
13	H	H	L	H
14	H	H	H	L
15	H	H	H	H

RESET/COUNT

RESET INPUTS		OUTPUTS			
R <sub>0</sub> (1)	R <sub>0</sub> (2)	Q <sub>D</sub>	Q <sub>C</sub>	Q <sub>B</sub>	Q <sub>A</sub>
H	H	L	L	L	L
L	X				COUNT
X	L				COUNT



## ELECTRICAL CHARACTERISTICS AND RECOMMENDED OPERATING CONDITIONS

PARAMETER	MAX or MIN	TTL	LS	CD74 HC	CD74 HCT	UNIT
I <sub>CC</sub>	MAX	39	15	0.16	0.16	mA
I <sub>OH</sub>	MAX	-0.8	-0.4	-4	-4	mA
I <sub>OL</sub>	MAX	16	8	4	4	mA

## TIMING REQUIREMENTS AND SWITCHING CHARACTERISTICS

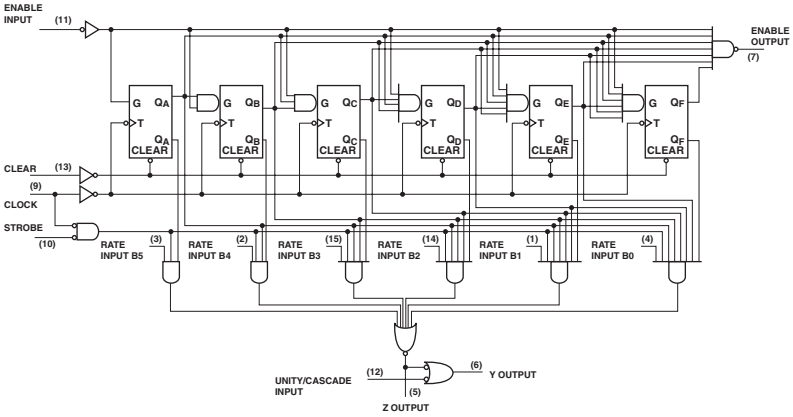
PARAMETER	INPUT	OUTPUT	MAX or MIN	TTL	LS	CD74 HC	CD74 HCT
f <sub>max</sub>	A (CD74:CP <sub>0</sub> )	QA (CD74:Q <sub>0</sub> )	MIN	32	32	20	20
	B (CD:74CP1)	QB (CD74:Q <sub>1</sub> )		16	16	20	20
t <sub>w</sub>	A (CP <sub>0</sub> )		MIN	15	15	24	24
	B (CP1)			30	30	24	24
	RESET			15	30	24	24
t <sub>su</sub>	RESET INACTIVE		MIN	25	25	-	-
t <sub>PLH</sub>	CKA (CP <sub>0</sub> )	QA (Q <sub>0</sub> )	MAX	16	16	38	51
		QB (Q <sub>1</sub> )		18	18	38	51
t <sub>PLH</sub>	CKA (CP <sub>0</sub> )	QC (Q <sub>2</sub> )	MAX	70	70	-	-
		QD (Q <sub>3</sub> )		70	70	-	-
t <sub>PHL</sub>	CKB (CP1)	QB (Q <sub>1</sub> )	MAX	16	16	41	51
		QC (Q <sub>2</sub> )		21	21	41	51
t <sub>PLH</sub>	CKB (CP1)	QC (Q <sub>2</sub> )	MAX	32	32	56	69
		QD (Q <sub>3</sub> )		35	35	56	69
t <sub>PHL</sub>	CKB (CP1)	QD (Q <sub>3</sub> )	MAX	51	51	74	87
		ANY		51	51	74	87
t <sub>PHL</sub>	Set to 0	ANY	MAX	40	40	-	-

UNIT f<sub>max</sub> : MHz, other : ns

## SYNCHRONOUS 6-BIT BINARY RATE MULTIPLIERS

- Perform Fixed-Rate or Variable-Rate Frequency Division
- Typical Maximum Clock Frequency: 32MHz

### Logic Diagram



FUNCTION TABLE

INPUTS						OUTPUTS		
CLEAR	ENABLE	STROBE	BINARY RATE B <sub>3</sub> B <sub>2</sub> B <sub>1</sub> B <sub>0</sub>	NUMBER OF CLOCK PULSES	UNITY/ CASCADE	LOGI LEVEL OR NUMBER OF PULSES		
						Y	Z	ENABLE
H	X	H	X X X X X X	X	H	L	H	H
L	L	L	L L L L L L L L	64	H	L	H	1
L	L	L	L L L L L L L H	64	H	1	1	1
L	L	L	L L L L L H L L	64	H	2	2	1
L	L	L	L L L L H L L L	64	H	4	4	1
L	L	L	L L H L L L L L	64	H	8	8	1
L	L	L	L H L L L L L L	64	H	16	16	1
L	L	L	H L L L L L L L	64	H	32	32	1
L	L	L	H H H H H H H H	64	H	63	63	1
L	L	L	H H H H H H H H	64	L	H	63	1
L	L	L	H L H L L L L L	64	H	40	40	1

## ELECTRICAL CHARACTERISTICS AND RECOMMENDED OPERATING CONDITIONS

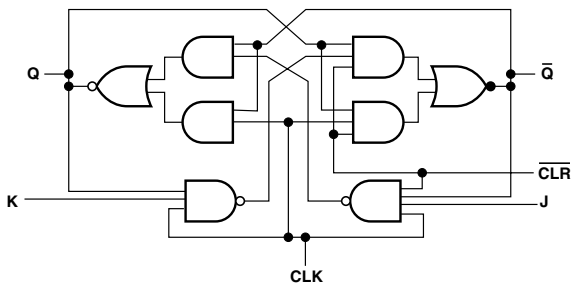
PARAMETER	MAX or MIN	TTL	UNIT
I <sub>cc</sub>	MAX	120	mA
I <sub>oh</sub>	MAX	16	mA
I <sub>ol</sub>	MAX	-0.4	mA

## TIMING REQUIREMENTS AND SWITCHING CHARACTERISTICS

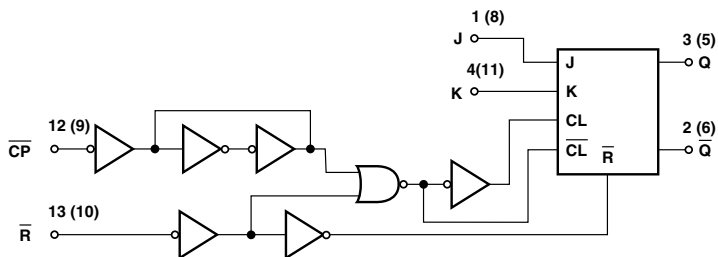
PARAMETER	INPUT	OUTPUT	MAX or MIN	TTL
f <sub>max</sub>	A	QA	MIN	25
t <sub>w</sub>	CLK		MIN	20
	CLR		MIN	15
t <sub>su</sub>	Positive		MIN	25
	Negative		MIN	0
t <sub>h</sub>	Positive		MIN	0
	Negative		MIN	20
†P <sub>LH</sub>	ENABLE	ENABLE	MAX	20
†P <sub>HL</sub>			MAX	21
†P <sub>LH</sub>	STRB	Z	MAX	18
†P <sub>HL</sub>			MAX	23
†P <sub>LH</sub>	CLK	Y	MAX	39
†P <sub>HL</sub>			MAX	30
†P <sub>LH</sub>	CLK	Z	MAX	18
†P <sub>HL</sub>			MAX	26
†P <sub>LH</sub>	RATE	Z	MAX	10
†P <sub>HL</sub>			MAX	14
†P <sub>LH</sub>	UNITY /CAS	Y	MAX	14
†P <sub>HL</sub>			MAX	10
†P <sub>LH</sub>	STRB	Y	MAX	30
†P <sub>HL</sub>			MAX	33
†P <sub>LH</sub>	CLK	ENABLE	MAX	30
†P <sub>HL</sub>			MAX	33
†P <sub>LH</sub>	CLR	Y	MAX	36
†P <sub>HL</sub>		Z	MAX	23
†P <sub>LH</sub>	RATE	Y	MAX	23
†P <sub>HL</sub>			MAX	23

UNIT f<sub>max</sub> : MHz, other : ns

Logic Diagram  
SN74LS



Logic Diagram  
CD74HC/HCT



**FUNCTION TABLES**  
**(SN74LS107A)**

INPUTS				OUTPUTS	
CLR	CLK	J	K	Q	$\bar{Q}$
L	X	X	X	L	H
H	↓	L	L	Q <sub>O</sub>	$\bar{Q}_O$
H	↓	H	L	H	L
H	↓	L	H	L	H
H	↓	H	H	TOGGLE	
H	H	X	X	Q <sub>O</sub>	$\bar{Q}_O$

**ELECTRICAL CHARACTERISTICS AND RECOMMENDED OPERATING CONDITIONS**

PARAMETER	MAX or MIN	TTL	LS	SN74 HC	CD74 HC	CD74 HCT	UNIT
I <sub>CC</sub>	MAX	20	6	0.04	0.08	0.08	mA
I <sub>OH</sub>	MAX	-0.4	-0.4	-4	-4	-4	mA
I <sub>OL</sub>	MAX	16	8	4	4	4	mA

**TIMING REQUIREMENTS AND SWITCHING CHARACTERISTICS**

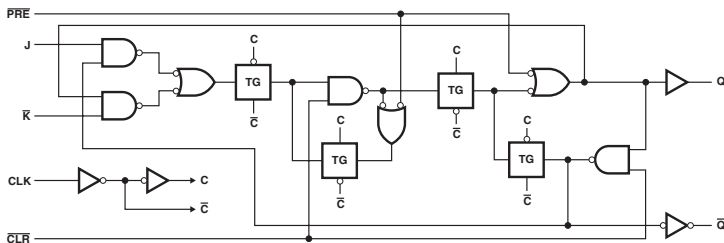
PARAMETER	INPUT	OUTPUT	MAX or MIN	TTL	LS	SN74 HC	CD74 HC	CD74 HCT
f <sub>max</sub>			MIN	15	30	25	20	19
t <sub>w</sub>	CLK H		MIN	20	20	20	-	-
	CLK L		MIN	47	-	20	-	-
	$\bar{CP}$		MIN	-	-	-	24	27
	CLR L (or $\bar{R}$ )		MIN	25	25	20	24	36
t <sub>su</sub>	J, K		MIN	0	20	25	30	30
	CLR INACTIVE		MIN	0	25	25	-	-
t <sub>h</sub>			MIN	0	0	0	3	5
t <sub>PLH</sub>	$\bar{CLR}$ (or $\bar{R}$ )	$\bar{Q}$	MAX	25	20	39	47	57
t <sub>PHL</sub>		Q	MAX	40	20	39	47	57
t <sub>PLH</sub>	CLK	$\bar{Q}$	MAX	25	20	32	-	-
t <sub>PHL</sub>		Q	MAX	40	20	32	-	-
t <sub>PLH</sub>	$\bar{CP}$	Q	MAX	-	-	-	51	65
t <sub>PHL</sub>			MAX	-	-	-	51	65
t <sub>PLH</sub>	$\bar{CP}$	$\bar{Q}$	MAX	-	-	-	51	60
t <sub>PHL</sub>			MAX	-	-	-	51	60

UNIT f<sub>max</sub> : MHz, other : ns

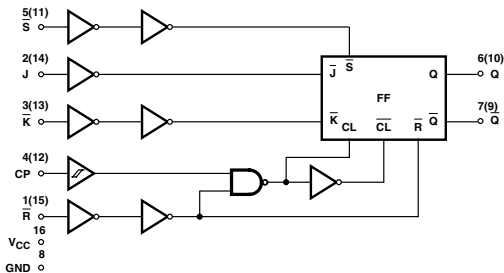


## DUAL J-K POSITIVE-EDGE-TRIGGERED FLIP-FLOPS WITH CLEAR AND PRESET

Logic Diagram  
SN74, CD74AC/ACT



Logic Diagram  
CD74HC/HCT



FUNCTION TABLE  
(SN74, CD74AC/ACT)

INPUTS					OUTPUTS	
PRE	CLR	CLOCK	J	K	Q	Q̄
L	H	X	X	X	H	L
H	L	X	X	X	L	H
L	L	X	X	X	H†	H†
H	H	↑	L	L	L	H
H	H	↑	H	L	TOGGLE	
H	H	↑	L	H	Q <sub>0</sub>	Q̄ <sub>0</sub>
H	H	↑	H	H	H	L
H	H	L	X	X	Q <sub>0</sub>	Q̄ <sub>0</sub>

† The output levels in this configuration are not guaranteed to meet the minimum levels for  $V_{OH}$ . Furthermore, this configuration is nonstable; that is, it will not persist when either PRE or CLR returns to its inactive (high) level.

## ELECTRICAL CHARACTERISTICS AND RECOMMENDED OPERATING CONDITIONS

PARAMETER	MAX or MIN	TTL	LS	ALS	AS	F	SN74 HC	CD74 HC	CD74 HCT	CD74 AC	CD74 ACT	UNIT
$I_{CC}$	MAX	15	8	4	17	17	0.04	0.08	0.08	0.08	0.08	mA
$I_{OH}$	MAX	-0.8	-0.4	-0.4	-2	-1	-4	-4	-4	-24	-24	mA
$I_{OL}$	MAX	16	4	8	20	20	4	4	4	24	24	mA

## TIMING REQUIREMENTS AND SWITCHING CHARACTERISTICS

PARAMETER	INPUT	OUTPUT	MAX or MIN	TTL	LS	ALS	AS	F	SN74 HC	CD74 HC	CD74 HCT
fmax			MIN	25	25	34	105	90	25	20	18
tw	CLK H		MIN	20	25	14.5	4	4	20	-	-
	CLK L		MIN	20	-	14.5	5.5	5	20	-	-
	CP		MIN	-	-	-	-	-	-	24	27
	PRE L		MIN	20	25	15	4	4	25	-	-
	CLR L		MIN	20	25	15	4	4	25	-	-
	R		MIN	-	-	-	-	-	-	24	27
tsu	J, $\bar{K}$		MIN	10	25	15	5.5	3	25	-	-
	PRE, CLR		MIN	10	-	10	2	2	6	-	-
	J, K to CP		MIN	-	-	-	-	-	-	24	27
th			MIN	6	5	0	0	1	0	3	3
TPHL	$\overline{\text{PRE}}$	Q	MAX	15	25	13	8	8	58	-	-
		$\bar{Q}$	MAX	35	40	15	10.5	10.5	58	-	-
TPHL	$\overline{\text{CLR}}$	$\bar{Q}$	MAX	15	25	13	8	8	58	-	-
		Q	MAX	25	40	15	10.5	10.5	58	-	-
TPHL	CLK	$\bar{Q}, Q$	MAX	16	25	16	9	8	44	-	-
			MAX	28	40	18	9	9.2	44	-	-
TPHL	$\overline{\text{CP}}$	Q	MAX	-	-	-	-	-	-	53	60
			MAX	-	-	-	-	-	-	53	60
TPHL	$\overline{\text{CP}}$	$\bar{Q}$	MAX	-	-	-	-	-	-	53	60
			MAX	-	-	-	-	-	-	53	60
TPHL	$\bar{R}$	Q	MAX	-	-	-	-	-	-	56	68
			MAX	-	-	-	-	-	-	56	68
TPHL	$\bar{R}$	$\bar{Q}$	MAX	-	-	-	-	-	-	51	56
			MAX	-	-	-	-	-	-	51	56

PARAMETER	INPUT	OUTPUT	MAX or MIN	CD74 AC	CD74 ACT
fmax			MIN	100	100
tw	CLK H		MIN	5	5
	CLK L		MIN	5	5
	CP		MIN	-	-
	PRE L		MIN	4.5	5.5
	CLR L		MIN	4.5	5.5
	R		MIN	-	-
tsu	J, $\bar{K}$		MIN	5.5	5.5
	PRE, CLR		MIN	-	5.5
	J, K to CP		MIN	-	-
th			MIN	0	0
TPHL	$\overline{\text{PRE}}$	Q	MAX	12.2	12.2
		$\bar{Q}$	MAX	12.2	12.2
TPHL	$\overline{\text{CLR}}$	$\bar{Q}$	MAX	12.2	12.2
		Q	MAX	12.2	12.2
TPHL	CLK	$\bar{Q}, Q$	MAX	10.3	10.3
			MAX	10.3	10.3
TPHL	$\overline{\text{CP}}$	Q	MAX	-	-
			MAX	-	-
TPHL	$\overline{\text{CP}}$	$\bar{Q}$	MAX	-	-
			MAX	-	-
TPHL	$\bar{R}$	Q	MAX	-	-
			MAX	-	-
TPHL	$\bar{R}$	$\bar{Q}$	MAX	-	-
			MAX	-	-

UNIT fmax : MHz, other : ns



FUNCTION TABLE (SN74)

INPUTS					OUTPUTS	
PRE	CLR	CLK	J	K	Q	$\bar{Q}$
L	H	X	X	X	H	L
H	L	X	X	X	L	H
L	L	X	X	X	H <sup>†</sup>	H <sup>†</sup>
H	H	↓	L	L	Q <sub>0</sub>	$\bar{Q}_0$
H	H	↓	H	L	H	L
H	H	↓	L	H	L	H
H	H	↓	H	H	Toggle	
H	H	H	X	X	Q <sub>0</sub>	$\bar{Q}_0$

<sup>†</sup>The output levels in this configuration may not meet the minimum levels for V<sub>OH</sub>. Furthermore, this configuration is nonstable; that is, it does not persist when either PRE or CLR returns to its inactive (high) level.

## ELECTRICAL CHARACTERISTICS AND RECOMMENDED OPERATING CONDITIONS

PARAMETER	MAX or MIN	LS	S	ALS	F	SN74 HC	CD74 HC	CD74 HCT	CD74 AC	CD74 ACT	LVC 3V	UNIT
I <sub>CC</sub>	MAX	6	25	4.5	19	0.04	0.08	0.08	0.08	0.08	0.01	mA
I <sub>OH</sub>	MAX	-0.4	-1	-0.4	-1	-4	-4	-4	-24	-24	-24	mA
I <sub>OL</sub>	MAX	8	20	8	20	4	4	4	24	24	24	mA

## TIMING REQUIREMENTS AND SWITCHING CHARACTERISTICS

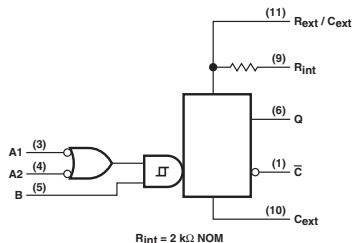
PARAMETER	INPUT	OUTPUT	MAX or MIN	LS	S	ALS	F	SN74 HC	CD74 HC	CD74 HCT	CD74 AC	CD74 ACT	LVC 3V
f <sub>max</sub>			MIN	30	80	30	100	20	20	20	100	100	150
t <sub>w</sub>	PRE, CLR		MIN	25	8	10	5	25	24	27	4.5	4.5	-
	CLK H		MIN	20	6	16.5	5	25	-	-	4.5	4.5	3.3
	CLK L		MIN	-	6.5	16.5	5	25	-	-	4.5	4.5	3.3
	CP		MIN	-	-	-	-	-	24	30	-	-	-
t <sub>su</sub>	DATA		MIN	20	7	22	5	25	24	24	4	4	2.3
	PRE INACTIVE		MIN	25	-	20	5	25	-	-	-	-	1.1
	CLR INACTIVE		MIN	20	-	20	5	25	-	-	-	-	1.1
t <sub>h</sub>			MIN	0	0	0	0	0	0	3	0	0	0.7
t <sub>PLH</sub>	$\overline{\text{PRE}}$ or $\overline{\text{CLR}}$	Q or $\bar{Q}$	MAX	20	7	15	7.5	41	-	-	10.3	10.3	4.8
t <sub>PHL</sub>			MAX	20	7	18	7.5	41	-	-	12.2	12.2	4.8
t <sub>PLH</sub>	CLK	Q or $\bar{Q}$	MAX	20	7	15	7.5	31	-	-	10.3	10.3	5.9
t <sub>PHL</sub>			MAX	20	7	19	7.5	31	-	-	12.2	12.2	5.9
t <sub>PLH</sub>	$\overline{\text{CP}}$	Q or $\bar{Q}$	MAX	-	-	-	-	-	53	53	-	-	-
t <sub>PHL</sub>			MAX	-	-	-	-	-	53	53	-	-	-
t <sub>PLH</sub>	$\bar{S}$	Q or $\bar{Q}$	MAX	-	-	-	-	-	47	48	-	-	-
t <sub>PHL</sub>			MAX	-	-	-	-	-	47	48	-	-	-
t <sub>PLH</sub>	$\bar{R}$	Q or $\bar{Q}$	MAX	-	-	-	-	-	54	56	-	-	-
t <sub>PHL</sub>			MAX	-	-	-	-	-	54	56	-	-	-

UNIT f<sub>max</sub>: MHz, other: ns

## MONOSTABLE MULTIVIBRATORS WITH SCHMITT-TRIGGER INPUTS

- Internal Timing Resistors ( $2k\Omega$ )
- Programmable Output Pulse Width with  $R_{ext}/C_{ext}$ : 40ns to 28s

## Logic Diagram



- NOTES: 1. An external capacitor may be connected between  $C_{ext}$  (positive) and  $R_{ext}/C_{ext}$ .  
 2. To use the internal timing resistor, connect  $R_{int}$  to  $V_{CC}$ . For improved pulse width accuracy and repeatability, connect an external resistor between  $R_{ext}/C_{ext}$  and  $V_{CC}$  with  $R_{int}$  open-circuited.

## FUNCTION TABLE

INPUTS			OUTPUTS	
A1	A2	B	Q	$\bar{Q}$
L	X	H	L	H
X	L	H	L <sup>†</sup>	H <sup>†</sup>
X	X	L	L <sup>†</sup>	H <sup>†</sup>
H	H	X	L <sup>†</sup>	H <sup>†</sup>
H	↓	H		
↓	H	H		
↓	↓	H		
L	X	↑		
X	L	↑		

See explanation of function table on page

<sup>†</sup> These lines of the functional tables assume that the indicated steady-state conditions at the A and B inputs have been set up long enough to complete any pulse started before the set up.

## ELECTRICAL CHARACTERISTICS AND RECOMMENDED OPERATING CONDITIONS

PARAMETER	MAX or MIN	TTL	UNIT
$I_{CC}$	MAX	40	mA
$I_{OH}$	MAX	-0.4	mA
$I_{OL}$	MAX	16	mA

## TIMING REQUIREMENTS AND SWITCHING CHARACTERISTICS

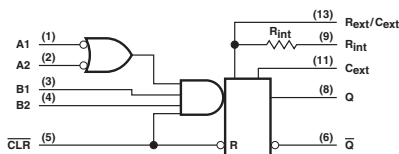
PARAMETER	INPUT	OUTPUT	MAX or MIN	TTL
$t_w$ (out)	Pulse width obtained with zero timing capacitance		MIN	50
$t_{PLH}$	A	Q	MAX	70
$t_{PHL}$	B			80
$t_{PLH}$	A	$\bar{Q}$	MAX	55
$t_{PHL}$	B			65

UNIT: NS

## RETRIGGERABLE MONOSTABLE MULTIVIBRATORS

- Retriggerable for Very Long Output Pulse, Up to 100% Duty Cycle
- Internal Timing Resistors (5kΩ)

## Logic Diagram



Rint is nominally 10 kΩ for '122 and 'LS122

## FUNCTION TABLE

CLEAR	INPUTS				OUTPUTS	
	A1	A2	B	B2	Q	$\bar{Q}$
L	X	X	X	X	L	H
X	H	H	X	X	L†	H†
X	X	X	L	X	L†	H†
X	X	X	X	L	L†	H†
H	L	X	†	H		
H	L	X	H	†		
H	X	L	†	H		
H	X	L	H	†		
H	H	↓	H	H		
H	↓	↓	H	H		
H	↓	H	H	H		
†	L	X	H	H		
†	X	L	H	H		

See explanation of function table on page

† These lines of the functional tables assume that the indicated steady-state conditions at the A and B inputs have been set up long enough to complete any pulse started before the set up.

## ELECTRICAL CHARACTERISTICS AND RECOMMENDED OPERATING CONDITIONS

PARAMETER	MAX or MIN	TTL	LS	UNIT
I <sub>CC</sub>	MAX	66	11	mA
I <sub>OH</sub>	MAX	-0.8	-0.4	mA
I <sub>OL</sub>	MAX	16	8	mA

## TIMING REQUIREMENTS AND SWITCHING CHARACTERISTICS

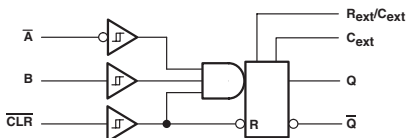
PARAMETER	INPUT	OUTPUT	MAX or MIN	TTL	LS
t <sub>W</sub>			MIN	40	40
t <sub>PLH</sub>	A	Q	MAX	33	33
	B			28	44
t <sub>PHL</sub>	A	$\bar{Q}$	MAX	40	45
	B			36	56
t <sub>PLH</sub>	CLEAR	$\bar{Q}$	MAX	27	27
		$\bar{\bar{Q}}$		40	45

UNIT: NS

## DUAL RETRIGGERABLE MONOSTABLE MULTIVIBRATORS WITH SCHMITT-TRIGGER INPUTS

- Retriggerable for Very Long Output Pulse, Up to 100% Duty Cycle

Logic Diagram (SN74)



FUNCTION TABLE (SN74)

INPUTS			OUTPUTS	
CLEAR	$\bar{A}$ (A)	B	Q	$\bar{Q}$
L	X	X	L	H
X	H	X	L <sup>†</sup>	H <sup>†</sup>
X	X	L	L <sup>†</sup>	H <sup>†</sup>
H	L	↑		
H	↓	H		
↑	L	H		

See explanation of function table on page

<sup>†</sup> These lines of the functional tables assume that the indicated steady-state conditions at the A and B inputs have been set up long enough to complete any pulse started before the set up.

### ELECTRICAL CHARACTERISTICS AND RECOMMENDED OPERATING CONDITIONS

PARAMETER	MAX or MIN	TTL	LS	CD74 HC	CD74 HCT	AHC	AHCT	LV 3V	LV 5V	UNIT
$I_{CC}$	MAX	66	20	0.16	0.16	0.65	0.975	0.28	0.65	mA
$I_{OH}$	MAX	-0.8	-0.4	-4	-4	-8	-8	-6	-12	mA
$I_{OL}$	MAX	16	8	4	4	8	8	6	12	mA

### TIMING REQUIREMENTS AND SWITCHING CHARACTERISTICS

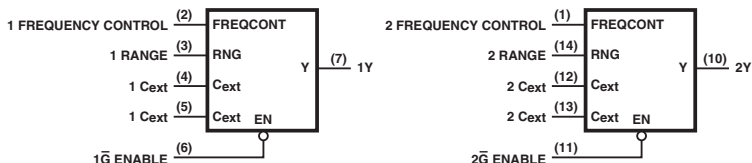
PARAMETER	INPUT	OUTPUT	MAX or MIN	TTL	LS	CD74 HC	CD74 HCT	AHC	AHCT	LV 3V	LV 5V
$t_W$			MIN	40	40	30	30	5	5	5	5
$t_{PLH}$	$\bar{A}$ (A)	Q	MAX	33	33	90	90	16	12	27.5	16
	B			28	44	90	90	16	12	27.5	16
$t_{PHL}$	$\bar{A}$ (A)	$\bar{Q}$	MAX	40	45	96	102	16	12	27.5	16
	B			36	56	96	102	16	12	27.5	16
$t_{PLH}$	CLEAR (R)	Q	MAX	40	45	65	72	13	14	22	13
		$\bar{Q}$	27	27	65	72	13	14	22	13	

UNIT: NS

## DUAL VOLTAGE-CONTROLLED OSCILLATORS

- Frequency Spectrum: 1Hz to 60MHz
- Typical  $f_{max}$ : 85MHz
- Typical Power Dissipation: 525mW

## Block Diagram



## ELECTRICAL CHARACTERISTICS AND RECOMMENDED OP

PARAMETER	MAX or MIN	S	UNIT
$I_{CC}$	MAX	150	mA
$I_{OH}$	MAX	-1	mA
$I_{OL}$	MAX	20	mA

## TIMING REQUIREMENTS AND SWITCHING CHARACTERIS

PARAMETER	MAX or MIN	S
$f_o$	MIN	60

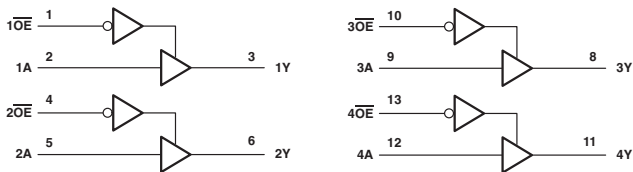
UNIT: NS



## QUADRUPLE BUS BUFFER GATES WITH 3-STATE OUTPUTS

● Y = A

Logic Diagram (SN74)

FUNCTION TABLE  
(SN74)  
(each buffer)

INPUTS		OUTPUT
OE	A	Y
L	H	H
L	L	L
H	X	Z

ELECTRICAL CHARACTERISTICS AND RECOMMENDED OPERATING CONDITIONS

PARAMETER	MAX or MIN	TTL	LS	F	SN74 HC	CD74 HC	SN74 HCT	CD74 HCT	SN74 BCT	SN64 BCT	ABT	UNIT
I <sub>CC</sub>	MAX	54	20	40	0.08	0.16	0.08	0.16	49	49	30	mA
I <sub>OH</sub>	MAX	-5.2	-2.6	-15	-6	-6	-6	-6	-15	-15	-32	mA
I <sub>OL</sub>	MAX	16	24	64	6	6	6	6	64	64	60	mA

PARAMETER	MAX or MIN	LVT 3V	LVTH 3V	AHC	AHCT	LV 3V	LV 5V	LV-AT	LVC 3V	ALVC 3V	AUC 1.8V	AUC 2.3V	UNIT
I <sub>CC</sub>	MAX	7	7	0.04	0.02	0.02	0.02	0.02	0.01	0.01	0.01	0.01	mA
I <sub>OH</sub>	MAX	-32	-32	-8	-8	-8	-16	-16	-24	-24	-8	-9	mA
I <sub>OL</sub>	MAX	64	64	8	8	8	16	16	24	24	8	9	mA

SWITCHING CHARACTERISTICS

PARAMETER	INPUT	OUTPUT	MAX or MIN	TTL	LS	F	SN74 HC	CD74 HC	SN74 HCT	CD74 HCT	SN74 BCT	SN64 BCT	ABT
t <sub>PLH</sub>	A	Y	MAX	13	15	6.5	30	30	33	38	5.7	6	4.9
t <sub>PHL</sub>			MAX	18	18	8	30	30	33	38	7.7	8	4.9
t <sub>PZH</sub>	$\bar{G}$	Y	MAX	17	20	8.5	30	38	35	38	10.3	11.1	5.9
t <sub>PZL</sub>			MAX	25	25	9	30	38	35	38	11.7	12.8	6.8
t <sub>PHZ</sub>			MAX	8	20	6	30	38	33	42	8.9	9.4	6.2
t <sub>PLZ</sub>			MAX	12	20	6	30	38	33	42	8.6	9.9	6.2

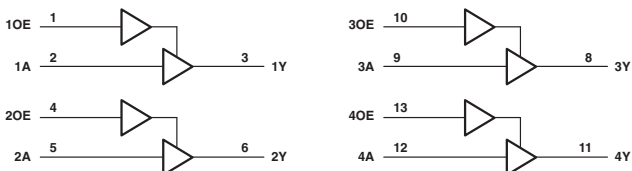
PARAMETER	INPUT	OUTPUT	MAX or MIN	LVT 3V	LVTH 3V	AHC	AHCT	LV 3V	LV 5V	LV-AT	LVC 3V	ALVC 3V	AUC 1.8V	AUC 2.3V
t <sub>PLH</sub>	A	Y	MAX	4.0	3.5	8.5	8.5	13	8.5	10.5	4.8	2.8	2.6	2.1
t <sub>PHL</sub>			MAX	3.9	3.9	8.5	8.5	13	8.5	10.5	4.8	2.8	2.6	2.1
t <sub>PZH</sub>	$\bar{G}$	Y	MAX	4.7	4	8	8	13	8	9.5	5.4	3.5	2.8	2.3
t <sub>PZL</sub>			MAX	4.7	4	8	8	13	8	9.5	5.4	3.5	2.8	2.3
t <sub>PHZ</sub>			MAX	5.1	4.5	10	10	15	10	9	4.6	4	3.4	2.3
t <sub>PLZ</sub>			MAX	4.5	4.5	10	10	15	10	9	4.6	4	3.4	2.3

UNIT: NS

## QUADRUPLE BUS BUFFER GATES WITH 3-STATE OUTPUTS

● Y = A

Logic Diagram (SN74)


**FUNCTION TABLE**  
**(SN74)**  
 (each buffer)

INPUTS		OUTPUT
OE	A	Y
H	H	H
H	L	L
L	X	Z

ELECTRICAL CHARACTERISTICS AND RECOMMENDED OPERATING CONDITIONS

PARAMETER	MAX or MIN	TTL	LS	F	SN74 HC	CD74 HC	CD74 HCT	SN74 BCT	SN64 BCT	ABT	UNIT
I <sub>CC</sub>	MAX	62	22	48	0.08	0.16	0.16	51	51	30	mA
I <sub>OH</sub>	MAX	-5.2	-2.6	-15	-6	-6	-6	-15	-15	-32	mA
I <sub>OL</sub>	MAX	16	24	64	6	6	6	64	64	64	mA

PARAMETER	MAX or MIN	LVTH 3V	AHC	AHCT	LV 3V	LV 5V	LVC 3V	ALVC 3V	AUC 1.8V	AUC 2.3V	UNIT
I <sub>CC</sub>	MAX	7	0.04	0.02	0.02	0.02	0.01	0.01	0.01	0.01	mA
I <sub>OH</sub>	MAX	-32	-8	-8	-8	-16	-24	-24	-8	-9	mA
I <sub>OL</sub>	MAX	64	8	8	8	16	24	24	8	9	mA

SWITCHING CHARACTERISTICS

PARAMETER	INPUT	OUTPUT	MAX or MIN	TTL	LS	F	SN74 HC	CD74 HC	CD74 HCT	SN74 BCT	SN64 BCT	ABT
t <sub>PLH</sub>	A	Y	MAX	13	15	7	30	30	36	6.3	6.3	6.3
t <sub>PHL</sub>			MAX	18	18	8.5	30	30	36	7.4	7.4	5.7
t <sub>PZH</sub>	G	Y	MAX	18	25	8.5	30	38	38	7.9	7.9	6.5
t <sub>PZL</sub>			MAX	25	35	8.5	30	38	38	10.5	10.5	6.5
t <sub>PHZ</sub>			MAX	16	25	7.5	30	38	42	10	10	6.8
t <sub>PLZ</sub>			MAX	18	25	8	30	38	42	12.3	12.3	6.7

PARAMETER	INPUT	OUTPUT	MAX or MIN	LVTH 3V	AHC	AHCT	LV 3V	LV 5V	LVC 3V	ALVC 3V	AUC 1.8V	AUC 2.3V
t <sub>PLH</sub>	A	Y	MAX	3.8	8.5	8.5	13	8.5	4.7	3.1	2.6	2.1
t <sub>PHL</sub>			MAX	3.9	8.5	8.5	13	8.5	4.7	3.1	2.6	2.1
t <sub>PZH</sub>	G	Y	MAX	5.4	8	8	13	8	5.7	3.3	2.7	2.2
t <sub>PZL</sub>			MAX	5.2	8	8	13	8	5.7	3.3	2.7	2.2
t <sub>PHZ</sub>			MAX	3.8	10	10	15	10	6	3.7	3.3	2.2
t <sub>PLZ</sub>			MAX	5.5	10	10	15	10	6	3.7	3.3	2.2

UNIT: ns

## 50-Ω LINE DRIVERS

$$\bullet Y = \overline{A + B}$$

Logic Diagram



## ELECTRICAL CHARACTERISTICS AND RECOMMENDED OPERATING CONDITIONS

PARAMETER	MAX or MIN	TTL	UNIT
I <sub>CC</sub>	MAX	57	mA
I <sub>OH</sub>	MAX	-42.4	mA
I <sub>OL</sub>	MAX	48	mA

## SWITCHING CHARACTERISTICS

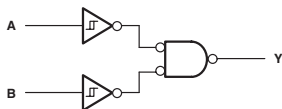
PARAMETER	INPUT	OUTPUT	MAX or MIN	TTL
t <sub>PLH</sub>	A, B	Y	MAX	9
t <sub>PHL</sub>	A, B	Y	MAX	12

UNIT: ns

## QUADRUPLE POSITIVE-NAND GATES WITH SCHMITT TRIGGER INPUTS

$$\bullet Y = \overline{A \cdot B}$$

Logic Diagram (SN74)



## ELECTRICAL CHARACTERISTICS AND RECOMMENDED OPERATING CONDITIONS

PARAMETER	MAX or MIN	TTL	LS	S	SN74 HC	CD74 HC	CD74 HCT	AHC	AHCT	LV 3V	LV 5V	UNIT
I <sub>CC</sub>	MAX	40	14	68	0.02	0.04	0.04	0.02	0.02	0.02	0.02	mA
I <sub>OH</sub>	MAX	-0.8	-0.4	-1	-4	-4	-4	-8	-8	-6	-12	mA
I <sub>OL</sub>	MAX	16	8	20	4	4	4	8	8	6	12	mA

## SWITCHING CHARACTERISTICS

PARAMETER	INPUT	OUTPUT	MAX or MIN	TTL	LS	S	SN74 HC	CD74 HC	CD74 HCT	AHC	AHCT
t <sub>PLH</sub>	A, B	Y	MAX	22	22	10.5	31	38	50	11	10
t <sub>PHL</sub>	A, B	Y	MAX	22	22	13	31	38	50	11	8

PARAMETER	INPUT	OUTPUT	MAX or MIN	LV 3V	LV 5V
t <sub>PLH</sub>	A, B	Y	MAX	17.5	11
t <sub>PHL</sub>	A, B	Y	MAX	17.5	11

UNIT: ns

## 13-INPUT POSITIVE-NAND GATES

$$\bullet Y = \overline{A \cdot B \cdot C \cdot D \cdot E \cdot F \cdot G \cdot H \cdot I \cdot J \cdot K \cdot L \cdot M}$$

FUNCTION TABLE

INPUTS A-H	OUTPUT Y
All inputs H	L
One or more inputs L	H

ELECTRICAL CHARACTERISTICS AND RECOMMENDED OPERATING CONDITION

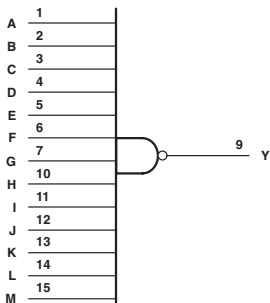
PARAMETER	MAX or MIN	S	ALS	SN74 HC	UNIT
I <sub>CC</sub>	MAX	10	0.34	0.02	mA
I <sub>OH</sub>	MAX	-1	-0.4	-4	mA
I <sub>OL</sub>	MAX	20	8	4	mA

SWITCHING CHARACTERISTICS

PARAMETER	INPUT	OUTPUT	MAX or MIN	S	ALS	SN74 HC
t <sub>PLH</sub>	A to M	Y	MAX	6	11	38
t <sub>PHL</sub>	A to M	Y	MAX	7	25	38

UNIT: ns

Logic Diagram



## 136

QUADRUPLE 2-INPUT EXCLUSIVE-OR GATES  
WITH OPEN COLLECTOR OUTPUTS

$$\bullet Y = A \oplus B = \overline{A}B + A\overline{B}$$

FUNCTION TABLE

INPUTS		OUTPUT Y
A	B	Y
L	L	L
L	H	H
H	L	H
H	H	L

ELECTRICAL CHARACTERISTICS AND RECOMMENDED OPERATING CONDITIONS

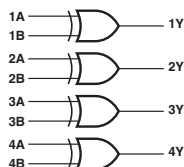
PARAMETER	MAX or MIN	TTL	LS	ALS	AS	UNIT
I <sub>CC</sub>	MAX	50	10	5.9	31	mA
V <sub>OH</sub>	MAX	5.5	5.5	5.5	5.5	V
I <sub>OL</sub>	MAX	16	8	8	20	mA

SWITCHING CHARACTERISTICS

PARAMETER	INPUT	OUTPUT	MAX or MIN	TTL	LS	ALS	AS
t <sub>PLH</sub>	A or B	Y (Other Output = L)	MAX	18	30	50	12.5
t <sub>PHL</sub>	A or B	Y (Other Output = L)	MAX	50	30	15	7.1
t <sub>PLH</sub>	A or B	Y (Other Output = L)	MAX	22	30	50	11.4
t <sub>PHL</sub>	A or B	Y (Other Output = L)	MAX	55	30	15	10.7

UNIT: ns

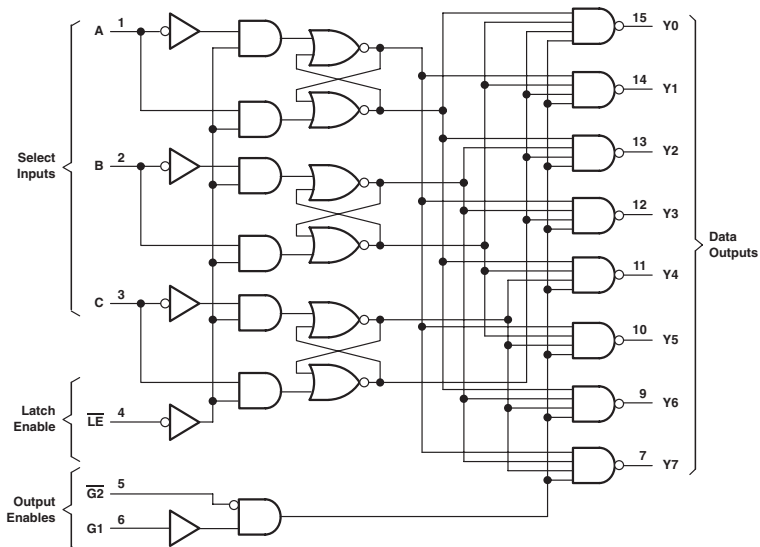
Logic Diagram



## 3-LINE TO 8-LINE DECODERS/DEMULTIPLEXERS WITH ADDRESS LATCHES

- Incorporates Two Output Enables To Simplify Cascading

Logic Diagram (SN74ALS)



FUNCTION TABLE (SN74)

INPUTS						OUTPUTS							
ENABLE			SELECT										
LE	G1	G2	C	B	A	Y0	Y1	Y2	Y3	Y4	Y5	Y6	Y7
X	X	H	X	X	X	H	H	H	H	H	H	H	H
X	L	X	X	X	X	H	H	H	H	H	H	H	H
L	H	L	L	L	L	L	H	H	H	H	H	H	H
L	H	L	L	L	H	H	L	H	H	H	H	H	H
L	H	L	L	H	L	H	H	L	H	H	H	H	H
L	H	L	L	H	H	H	H	H	L	H	H	H	H
L	H	L	H	L	L	H	H	H	H	L	H	H	H
L	H	L	H	L	H	H	H	H	H	H	L	H	H
L	H	L	H	H	H	H	H	H	H	H	H	L	H
L	H	L	H	H	H	H	H	H	H	H	H	H	L
H	H	L	X	X	X	Depends upon the address previously applied while LE was at a logic low.							

## ELECTRICAL CHARACTERISTICS AND RECOMMENDED OPERATING CONDITIONS

PARAMETER	MAX or MIN	LS	ALS	AS	SN74 HC	CD74 HC	SN74 HCT	CD74 HCT	LVC 3V	UNIT
I <sub>cc</sub>	MAX	18	11	24	0.08	0.16	0.08	0.16	0.01	mA
I <sub>oh</sub>	MAX	-0.4	-0.4	-2	-4	-4	-4	-4	-24	mA
I <sub>ol</sub>	MAX	8	8	20	4	4	4	4	24	mA

## SWITCHING CHARACTERISTICS

PARAMETER	INPUT	OUTPUT	MAX or MIN	LS	ALS	AS	SN74 HC	CD74 HC	SN74 HCT	CD74 HCT	LVC 3V
t <sub>PLH</sub>	SELECT	Y (CD74: $\bar{Y}$ )	MAX	24	20	12.5	48	54	48	57	-
t <sub>PHL</sub>			MAX	38	20	12.5	48	54	48	57	-
t <sub>PLH</sub>	$\bar{G2}$	Y (CD74: $\bar{Y}$ )	MAX	21	12	8	36	44	36	56	-
t <sub>PHL</sub>			MAX	27	15	8.5	36	44	36	56	-
t <sub>PLH</sub>	G1	Y (CD74: $\bar{Y}$ )	MAX	21	17	10	36	44	36	53	-
t <sub>PHL</sub>			MAX	27	15	9	36	44	36	53	-
t <sub>PLH</sub>	$\bar{LE}$ (CD74: LE)	Y (CD74: $\bar{Y}$ )	MAX	27	22	13.5	48	57	52	66	-
t <sub>PHL</sub>			MAX	38	20	14	48	57	52	66	-

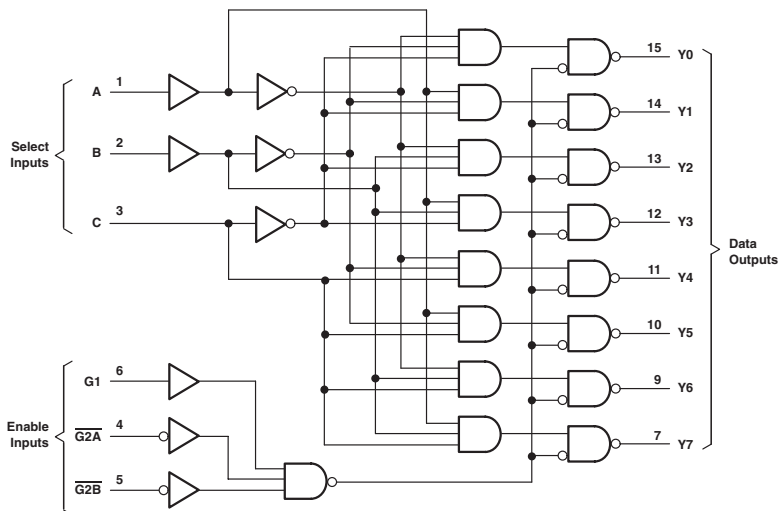
UNIT:ns

LVC:Preview

## 3-LINE TO 8-LINE DECODERS/DEMULTIPLEXRS

- 3 Enable Inputs to Simplify Cascading and /or Data Reception
- 74AC11xxx: Product Available in Reduced-Noise Advanced CMOS (11000 Series)
- 74ACT11xxx: Product Available in Reduced-Noise Advanced CMOS (11000 Series)

Logic Diagram (SN74, CD74AC/ACT)



FUNCTION TABLE (SN74)

ENABLE INPUTS			SELECT INPUTS			OUTPUTS							
G1	G2A	G2B	C	B	A	Y0	Y1	Y2	Y3	Y4	Y5	Y6	Y7
X	H	X	X	X	X	H	H	H	H	H	H	H	H
X	X	H	X	X	X	H	H	H	H	H	H	H	H
L	X	X	X	X	X	H	H	H	H	H	H	H	H
H	L	L	L	L	L	L	H	H	H	H	H	H	H
H	L	L	L	L	H	H	L	H	H	H	H	H	H
H	L	L	L	H	L	H	H	L	H	H	H	H	H
H	L	L	L	H	H	H	H	H	L	H	H	H	H
H	L	L	H	L	L	H	H	H	H	L	H	H	H
H	L	L	H	L	H	H	H	H	H	L	H	H	H
H	L	L	H	H	L	H	H	H	H	H	L	H	H
H	L	L	H	H	H	H	H	H	H	H	H	L	H

## ELECTRICAL CHARACTERISTICS AND RECOMMENDED OPERATING CONDITIONS

PARAMETER	MAX or MIN	LS	S	ALS	AS	F	SN74 HC	CD74 HC	SN74 HCT	CD74 HCT	UNIT
I <sub>CC</sub>	MAX	10	74	10	20	20	0.08	0.16	0.08	0.16	mA
I <sub>OH</sub>	MAX	-0.4	-1	-0.4	-2	-1	-4	-4	-4	-4	mA
I <sub>OL</sub>	MAX	8	20	8	20	20	4	4	4	4	mA

PARAMETER	MAX or MIN	AC 11	CD74 AC	ACT 11	CD74 ACT	AHC	AHCT	LV 3V	LV 5V	LV-AT	LVC 3V	UNIT
I <sub>CC</sub>	MAX	0.04	0.16	0.04	0.16	0.04	0.04	0.02	0.02	0.01	0.01	mA
I <sub>OH</sub>	MAX	-24	-24	-24	-24	-8	-8	-6	-12	-8	-24	mA
I <sub>OL</sub>	MAX	24	24	24	24	8	8	6	12	8	24	mA

## SWITCHING CHARACTERISTICS

PARAMETER	INPUT	OUTPUT	MAX or MIN	LS	S	ALS	AS	F	SN74 HC	CD74 HC	SN74 HCT	CD74 HCT
t <sub>PLH</sub>	A, B, C	Y (CD74:Y)	MAX	27	12	22	10	8.5	45	45	45	53
t <sub>PHL</sub>			MAX	39	12	18	9.5	9	45	45	45	53
t <sub>PLH</sub>	G2	Y (CD74:Y)	MAX	26	11	17	7.5	8	39	53	42	53
t <sub>PHL</sub>			MAX	38	11	17	8.5	7.5	39	53	42	53
t <sub>PLH</sub>	G1	Y (CD74:Y)	MAX	26	11	17	10	9	39	53	42	53
t <sub>PHL</sub>			MAX	38	11	17	10	8.5	39	53	42	53

PARAMETER	INPUT	OUTPUT	MAX or MIN	AC 11	CD74 AC	ACT 11	CD74 ACT	AHC	AHCT	LV 3V	LV 5V	LV-AT	LVC 3V
t <sub>PLH</sub>	A, B, C	Y (CD74:Y)	MAX	8.1	11	9.8	12	11.5	13	18	11.5	14	6.7
t <sub>PHL</sub>			MAX	8.8	11	9.7	12	11.5	13	18	11.5	14	6.7
t <sub>PLH</sub>	G2	Y (CD74:Y)	MAX	8.3	10	8.9	10.5	11.5	12	17	11.5	13	6.5
t <sub>PHL</sub>			MAX	8.3	10	8.9	10.5	11.5	12	17	11.5	13	6.5
t <sub>PLH</sub>	G1	Y (CD74:Y)	MAX	7.5	11	9.3	11	11.5	11.5	18.5	11.5	12	5.8
t <sub>PHL</sub>			MAX	7.7	11	9.8	11	11.5	11.5	18.5	11.5	12	5.8

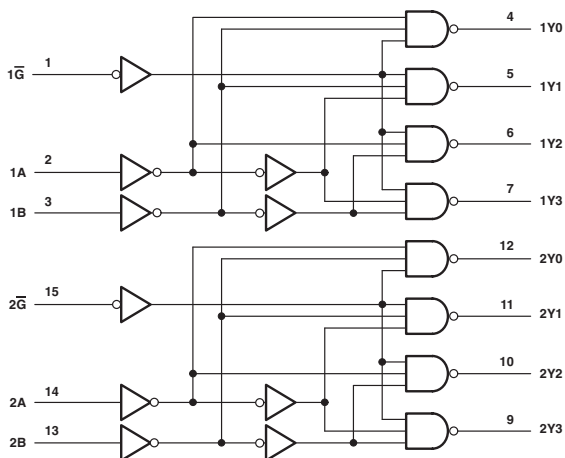
UNIT: ns



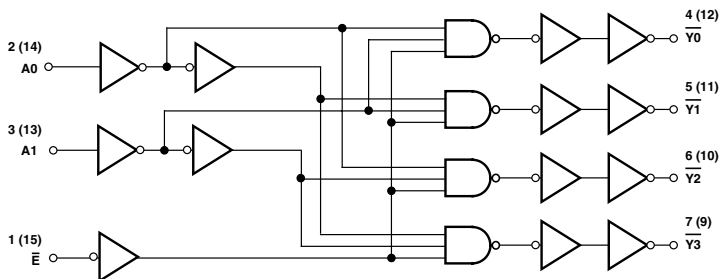
## DUAL 2-LINE TO 4-LINE DECODERS/DEMULTIPLEXERS

- Incorporate Two Enable Inputs to Simplify Cascading and /or Data Reception
- 74ACT11xxx: Product Available in Reduced-Noise Advanced CMOS (11000 Series)

Logic Diagram (SN74, CD74AC/ACT)



Logic Diagram (CD74HC/HCT)



FUNCTION TABLE (SN74)

INPUTS			OUTPUTS			
ENABLE	SELECT		Y0	Y1	Y2	Y3
$\overline{G}$	B	A				
H	X	X	H	H	H	H
L	L	L	L	H	H	H
L	L	H	H	L	H	H
L	H	L	H	H	L	H
L	H	H	H	H	H	L

ELECTRICAL CHARACTERISTICS AND RECOMMENDED OPERATING CONDITIONS

PARAMETER	MAX or MIN	LS	S	ALS	SN74 HC	CD74 HC	SN74 HCT	CD74 HCT	CD74 AC	ACT 11	UNIT
I <sub>CC</sub>	MAX	11	90	13	0.08	0.16	0.08	0.16	0.16	0.08	mA
I <sub>OH</sub>	MAX	-0.4	-1	-0.4	-4	-4	-4	-4	-24	-24	mA
I <sub>OL</sub>	MAX	8	20	8	4	4	4	4	24	24	mA

PARAMETER	MAX or MIN	CD74 ACT	AHC	AHCT	LV 3V	LV 5V	LVC 3V	UNIT
I <sub>CC</sub>	MAX	0.16	0.04	0.02	-	0.02	0.01	mA
I <sub>OH</sub>	MAX	-24	-8	-8	-6	-12	-24	mA
I <sub>OL</sub>	MAX	24	8	8	6	12	24	mA

SWITCHING CHARACTERISTICS

PARAMETER	INPUT	OUTPUT	MAX or MIN	LS	S	ALS	SN74 HC	CD74 HC	SN74 HCT	CD74 HCT	CD74 AC	ACT 11
t <sub>PLH</sub>	SELECT	Y (CD74: $\overline{Y}$ )	MAX	29	12	14	44	44	43	51	10.5	8.5
t <sub>PHL</sub>	SELECT	Y (CD74: Y)	MAX	38	12	14	44	44	43	51	10.5	8.5
t <sub>PLH</sub>	$\overline{G}$ (CD74: E)	Y (CD74: Y)	MAX	24	8	14	44	41	43	51	10.5	7.9
t <sub>PHL</sub>	$\overline{G}$ (CD74: E)	Y (CD74: Y)	MAX	32	10	15	44	41	43	51	10.5	7.5

PARAMETER	INPUT	OUTPUT	MAX or MIN	CD74 ACT	AHC	AHCT	LV 3V	LV 5V	LVC 3V
t <sub>PLH</sub>	SELECT	Y (CD74: $\overline{Y}$ )	MAX	11.5	10.5	10.5	16.5	10.5	6.2
t <sub>PHL</sub>	SELECT	Y (CD74: Y)	MAX	11.5	10.5	10.5	16.5	10.5	6.2
t <sub>PLH</sub>	$\overline{G}$ (CD74: E)	Y (CD74: Y)	MAX	12	9.5	9.5	14.5	9.5	4.7
t <sub>PHL</sub>	$\overline{G}$ (CD74: E)	Y (CD74: Y)	MAX	12	9.5	9.5	14.5	9.5	4.7

UNIT: ns

## DUAL 4-INPUT POSITIVE-NAND 50-Ω LINE DRIVERS

$$\bullet Y = \overline{ABCD}$$

### ELECTRICAL CHARACTERISTICS AND RECOMMENDED OPERATING CONDITIONS

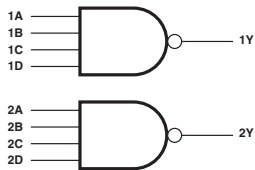
PARAMETER	MAX or MIN	S	UNIT
$I_{CC}$	MAX	44	mA
$I_{OH}$	MAX	-40	mA
$I_{OL}$	MAX	60	mA

### SWITCHING CHARACTERISTICS

PARAMETER	INPUT	OUTPUT	MAX or MIN	S
$t_{PLH}$	A, B, C, D	Y	MAX	6.5
$t_{PHL}$			MAX	6.5

UNIT: ns

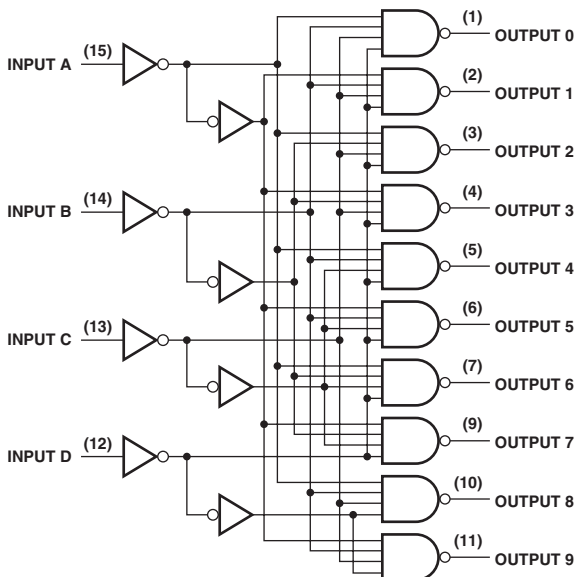
### Logic Diagram



## BCD-TO-DECIMAL DECODERS/DRIVERS

- Sink-Current Capability: 80mA
- Low Power Dissipation (SN74LS): 35mW (typ)

Logic Diagram



FUNCTION TABLE

No.	INPUTS				OUTPUTS										
	D	C	B	A	0	1	2	3	4	5	6	7	8	9	
0	L	L	L	L	L	H	H	H	H	H	H	H	H	H	H
1	L	L	L	H	H	L	H	H	H	H	H	H	H	H	H
2	L	L	H	L	H	H	L	H	H	H	H	H	H	H	H
3	L	L	H	H	H	H	H	L	H	H	H	H	H	H	H
4	L	H	L	L	H	H	H	H	L	H	H	H	H	H	H
5	L	H	L	H	H	H	H	H	H	L	H	H	H	H	H
6	L	H	H	L	H	H	H	H	H	H	L	H	H	H	H
7	L	H	H	H	H	H	H	H	H	H	H	L	H	H	H
8	H	L	L	L	H	H	H	H	H	H	H	H	L	H	H
9	H	L	L	H	H	H	H	H	H	H	H	H	H	L	L
INVALID	H	L	H	L	H	H	H	H	H	H	H	H	H	H	H
	H	L	H	H	H	H	H	H	H	H	H	H	H	H	H
	H	H	L	L	H	H	H	H	H	H	H	H	H	H	H
	H	H	L	H	H	H	H	H	H	H	H	H	H	H	H
	H	H	H	L	H	H	H	H	H	H	H	H	H	H	H

ELECTRICAL CHARACTERISTICS AND RECOMMENDED OPERAT

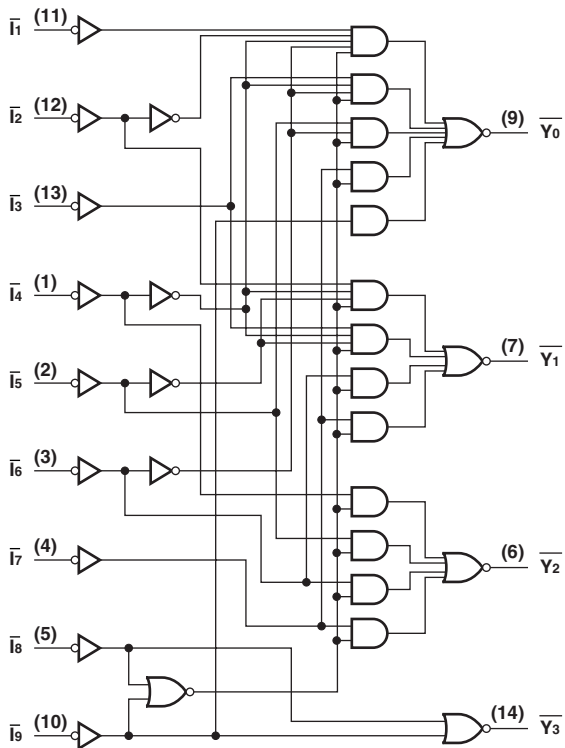
PARAMETER	MAX or MIN	TTL	LS	UNIT
$I_{CC}$	MAX	70	13	mA
$V_o$ (OFF)	MAX	15	15	mA

SWITCHING CHARACTERISTICS

PARAMETER	MAX or MIN	TTL	LS
$t_{PLH}$	MAX	50	50
$t_{PHL}$	MAX	50	50

UNIT: ns

Logic Diagram



FUNCTION TABLE

INPUTS									OUTPUTS			
I <sub>1</sub>	I <sub>2</sub>	I <sub>3</sub>	I <sub>4</sub>	I <sub>5</sub>	I <sub>6</sub>	I <sub>7</sub>	I <sub>8</sub>	I <sub>9</sub>	V <sub>0</sub>	V <sub>1</sub>	V <sub>2</sub>	V <sub>3</sub>
H	H	H	H	H	H	H	H	H	H	H	H	H
X	X	X	X	X	X	X	X	L	L	H	H	L
X	X	X	X	X	X	X	L	H	L	H	H	H
X	X	X	X	X	L	H	H	H	L	L	L	L
X	X	X	X	L	H	H	H	H	H	L	L	H
X	X	X	L	H	H	H	H	H	H	L	H	H
X	X	L	H	H	H	H	H	H	H	L	L	L
X	L	H	H	H	H	H	H	H	H	H	L	H
L	H	H	H	H	H	H	H	H	H	H	H	L

ELECTRICAL CHARACTERISTICS AND RECOMMENDED OPERATING CONDITIONS

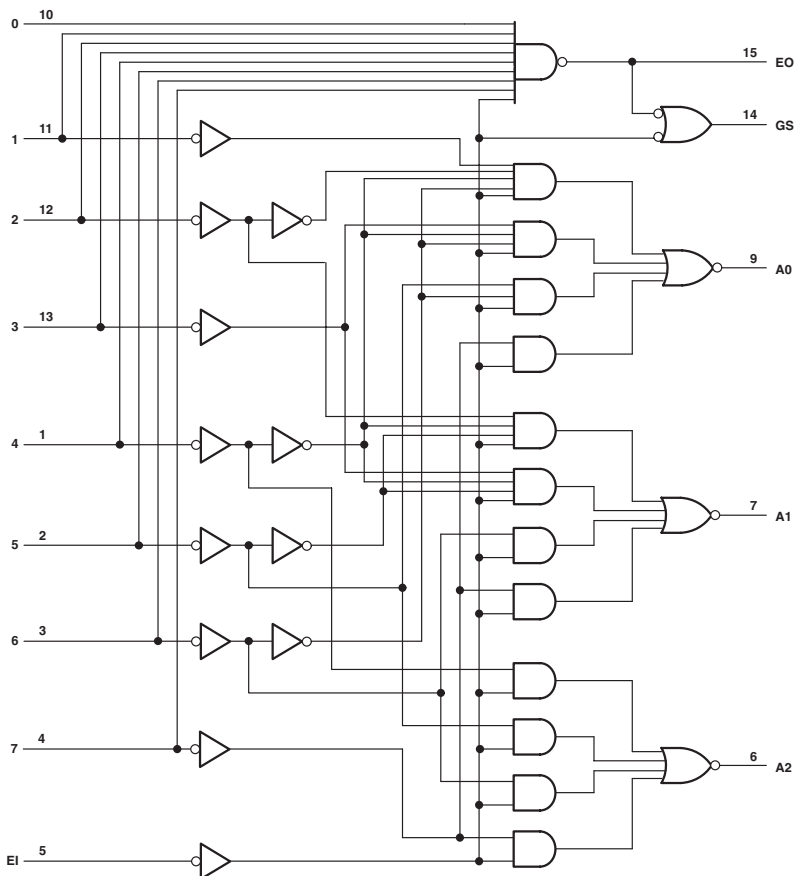
PARAMETER	MAX or MIN	TTL	LS	SN74 HC	CD74 HC	CD74 HCT	UNIT
I <sub>CC</sub>	MAX	70	20	0.08	0.16	0.16	mA
I <sub>OH</sub>	MAX	-0.8	-0.4	-4	-4	-4	mA
I <sub>OL</sub>	MAX	16	8	4	4	4	mA

SWITCHING CHARACTERISTICS

PARAMETER	MAX or MIN	TTL	LS	SN74 HC	CD74 HC	CD74 HCT
t <sub>PLH</sub>	MAX	19	33	48	48	53
t <sub>PHL</sub>	MAX	19	23	48	48	53

UNIT:ns

Logic Diagram (SN74)



**FUNCTION TABLE (SN74)**

EI	INPUTS							OUTPUTS					
	0	1	2	3	4	5	6	7	A2	A1	A0	GS	EO
H	X	X	X	X	X	X	X	X	H	H	H	H	H
L	H	H	H	H	H	H	H	H	H	H	H	H	L
L	X	X	X	X	X	X	X	L	L	L	L	L	H
L	X	X	X	X	X	L	H	H	L	L	H	L	H
L	X	X	X	X	L	H	H	H	L	H	H	L	H
L	X	X	X	L	H	H	H	H	H	L	L	L	H
L	X	X	L	H	H	H	H	H	H	L	H	L	H
L	X	L	H	H	H	H	H	H	H	H	L	L	H
L	L	H	H	H	H	H	H	H	H	H	H	L	H

**ELECTRICAL CHARACTERISTICS AND RECOMMENDED OPERATING CONDITIONS**

PARAMETER	MAX or MIN	TTL	LS	SN74 HC	UNIT
I <sub>CC</sub>	MAX	60	20	0.08	mA
I <sub>OL</sub>	MAX	16	8	4	mA
I <sub>OH</sub>	MAX	-0.8	-0.4	-4	mA

**SWITCHING CHARACTERISTICS**

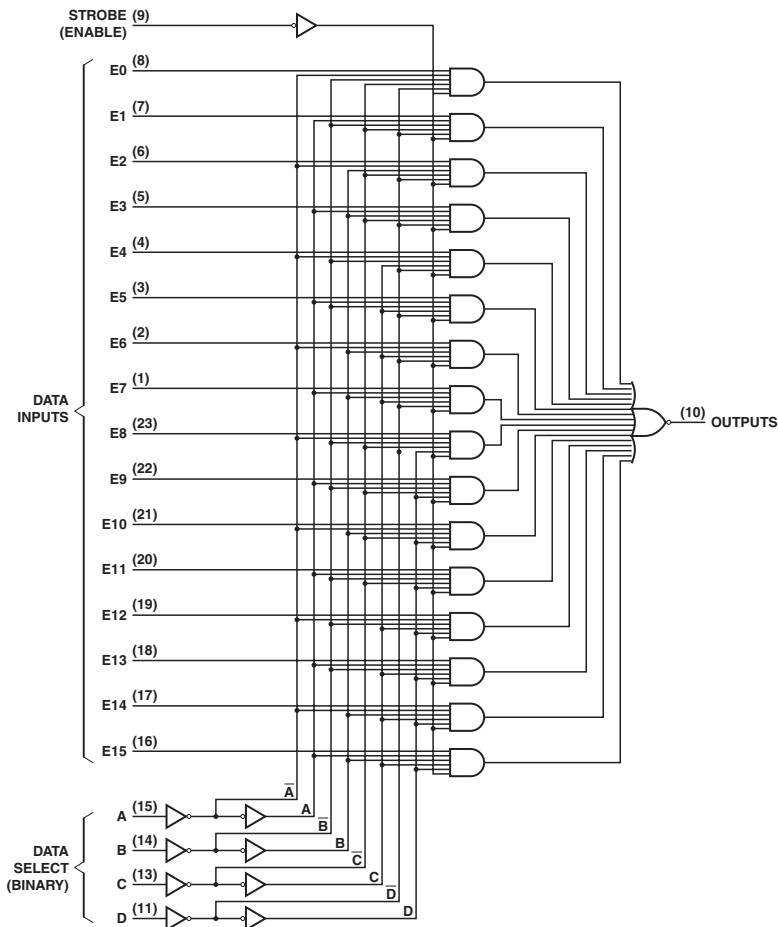
PARAMETER	INPUT	OUTPUT	WAVEFORM	MAX or MIN	TTL	LS	SN74 HC
t <sub>PLH</sub>	1 to 7	A0, A1 or A2	In-phase output	MAX	15	18	45
t <sub>PHL</sub>					14	25	45
t <sub>PLH</sub>	1 to 7	A0, A1 or A2	Out-of-phase output	MAX	19	36	45
t <sub>PHL</sub>					19	29	45
t <sub>PLH</sub>	0 to 7	E0	Out-of-phase output	MAX	10	18	38
t <sub>PHL</sub>					25	40	38
t <sub>PLH</sub>	0 to 7	GS	In-phase output	MAX	30	55	48
t <sub>PHL</sub>					25	21	48
t <sub>PLH</sub>	EI	A0, A1 or A2	In-phase output	MAX	15	25	49
t <sub>PHL</sub>					15	25	49
t <sub>PLH</sub>	EI	GS	In-phase output	MAX	12	17	36
t <sub>PHL</sub>					15	36	36
t <sub>PLH</sub>	EI	E0	In-phase output	MAX	15	21	41
t <sub>PHL</sub>					30	35	41

UNIT: ns



## 16-LINE TO 1-LINE DATA SELECTOR/MULTIPLEXER

Logic Diagram



**FUNCTION TABLE**

INPUTS					STROBE $\bar{G}$	OUTPUT W
SELECT						
D	C	B	A			
X	X	X	X	H	H	
L	L	L	L	L	E0	
L	L	L	H	L	E1	
L	L	H	L	L	E2	
L	L	H	H	L	E3	
L	H	L	L	L	E4	
L	H	L	H	L	E5	
L	H	H	L	L	E6	
L	H	H	H	L	E7	
H	L	L	L	L	E8	
H	L	L	H	L	E9	
H	L	H	L	L	E10	
H	L	H	H	L	E11	
H	H	L	L	L	E12	
H	H	L	H	L	E13	
H	H	H	L	L	E14	
H	H	H	H	L	E15	

**NOTES:**

H = High Level, L = Low Level, X = irrelevant

E0, E1 ... E15 = the complement of the level of the respective E input

D0, D1 ... D7 = the level of the D respective input

**ELECTRICAL CHARACTERISTICS AND RECOMMENDED OPERATING CONDITIONS**

PARAMETER	MAX or MIN	TTL	UNIT
I <sub>cc</sub>	MAX	48	mA
I <sub>oh</sub>	MAX	-0.8	mA
I <sub>ol</sub>	MAX	16	mA

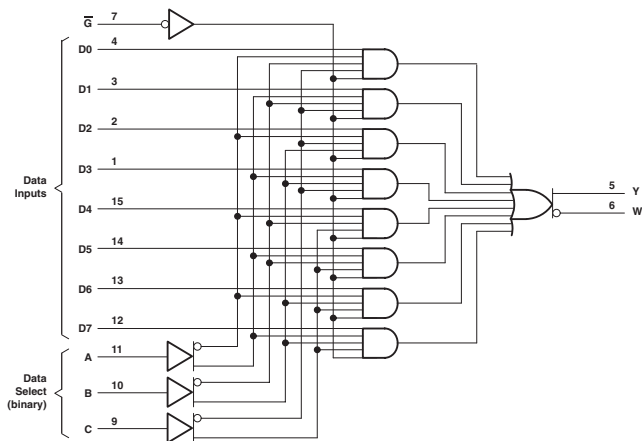
**SWITCHING CHARACTERISTICS**

PARAMETER	INPUT	OUTPUT	MAX or MIN	TTL
t <sub>PLH</sub>	A, B, C or D	W	MAX	35
				33
t <sub>PHL</sub>	Strobe $\bar{G}$	W	MAX	24
				30
t <sub>PLH</sub>	E0 thru E15 or E0 thru D7	W	MAX	14
				20

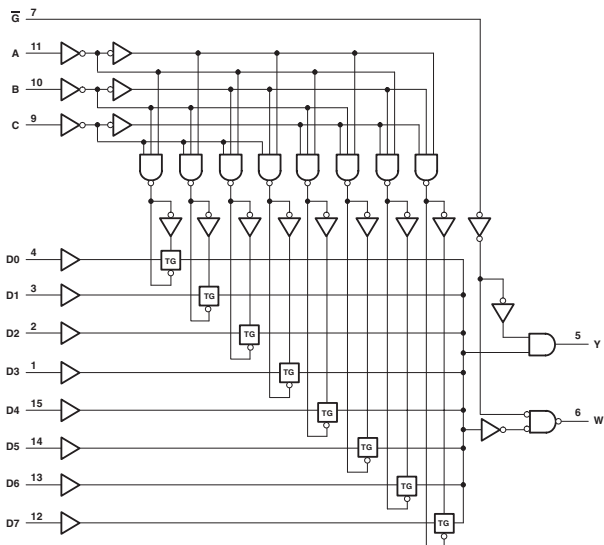
UNIT:ns

## 8-LINE TO 1-LINE DATA SELECTORS/MULTIPLEXERS

Logic Diagram (SN74ALS, AS, F, CD74AC/ACT)



Logic Diagram (SN74HC)



**FUNCTION TABLE (SN74)**

INPUTS				OUTPUTS		
SELECT				Y	W	
C	B	A	$\bar{G}$			
X	X	X	H	L	H	
L	L	L	L	D0	$\bar{D0}$	
L	L	H	L	D1	$\bar{D1}$	
L	H	L	L	D2	$\bar{D2}$	
L	H	H	L	D3	$\bar{D3}$	
H	L	L	L	D4	$\bar{D4}$	
H	L	H	L	D5	$\bar{D5}$	
H	H	L	L	D6	$\bar{D6}$	
H	H	H	L	D7	$\bar{D7}$	

**ELECTRICAL CHARACTERISTICS AND RECOMMENDED OPERATING CONDITIONS**

PARAMETER	MAX or MIN	TTL	LS	S	ALS	AS	F	SN74 HC	CD74 HC	CD74 HCT	CD74 AC	CD74 ACT	UNIT
I <sub>CC</sub>	MAX	48	10	70	12	30	21	0.08	0.16	0.16	0.16	0.16	mA
I <sub>OH</sub>	MAX	-0.8	-0.4	-1	-2.6	-15	-1	-6	-4	-4	-24	-24	mA
I <sub>OL</sub>	MAX	16	8	20	24	48	24	6	4	4	24	24	mA

**SWITCHING CHARACTERISTICS**

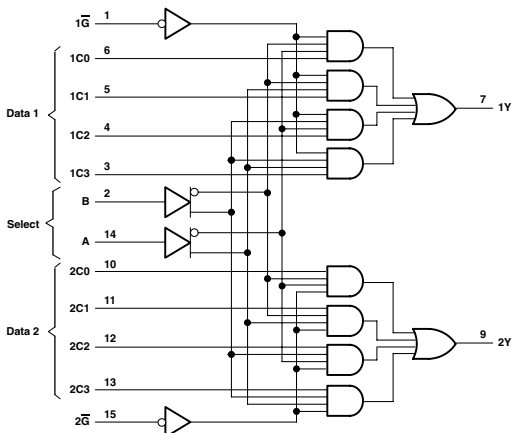
PARAMETER	INPUT	OUTPUT	MAX or MIN	TTL	LS	S	ALS	AS	F	SN74 HC	CD74 HC	CD74 HCT
t <sub>PLH</sub>	A, B or C	Y	MAX	38	43	18	18	14.5	12	63	56	62
t <sub>PHL</sub>	(CD74HC/HCT: Sn)			38	30	18	24	15	9	63	56	62
t <sub>PLH</sub>	A, B or C	W (CD74HC: $\bar{Y}$ )	MAX	26	23	15	24	12	9.5	63	62	65
t <sub>PHL</sub>	(CD74HC/HCT: Sn)			30	32	13.5	23	12	7.5	63	62	65
t <sub>PLH</sub>	D0 to D7	Y	MAX	20	32	16.5	10	10.5	7.5	49	51	57
t <sub>PHL</sub>	(CD74HC/HCT: In)			27	26	18	15	11	7.5	49	51	57
t <sub>PLH</sub>	D0 to D7	W (CD74HC: $\bar{Y}$ )	MAX	14	21	13	15	6.5	7	49	56	54
t <sub>PHL</sub>	(CD74HC/HCT: In)			14	20	12	15	4.5	5	49	56	54
t <sub>PLH</sub>	$\bar{G}$	Y	MAX	33	42	12	18	14	10.5	32	42	44
t <sub>PHL</sub>	(CD74HC/HCT: $\bar{E}$ )			33	32	12	19	11	7.5	32	42	44
t <sub>PLH</sub>	$\bar{G}$	W (CD74HC: $\bar{Y}$ )	MAX	21	24	7	19	6	7	32	44	54
t <sub>PHL</sub>	(CD74HC/HCT: $\bar{E}$ )			23	30	7	23	10	6	32	44	54

PARAMETER	INPUT	OUTPUT	MAX or MIN	CD74 AC	CD74 ACT
t <sub>PLH</sub>	A, B or C	Y	MAX	18.2	20.2
t <sub>PHL</sub>	(CD74HC/HCT: Sn)			18.2	20.2
t <sub>PLH</sub>	A, B or C	W (CD74HC: $\bar{Y}$ )	MAX	19.6	21.6
t <sub>PHL</sub>	(CD74HC/HCT: Sn)			19.6	21.6
t <sub>PLH</sub>	D0 to D7	Y	MAX	13.5	15.5
t <sub>PHL</sub>	(CD74HC/HCT: In)			13.5	15.5
t <sub>PLH</sub>	D0 to D7	W (CD74HC: $\bar{Y}$ )	MAX	14.9	16.9
t <sub>PHL</sub>	(CD74HC/HCT: In)			14.9	16.9
t <sub>PLH</sub>	$\bar{G}$	Y	MAX	12.2	12.1
t <sub>PHL</sub>	(CD74HC/HCT: $\bar{E}$ )			12.2	12.1
t <sub>PLH</sub>	$\bar{G}$	W (CD74HC: $\bar{Y}$ )	MAX	13.5	13.5
t <sub>PHL</sub>	(CD74HC/HCT: $\bar{E}$ )			13.5	13.5

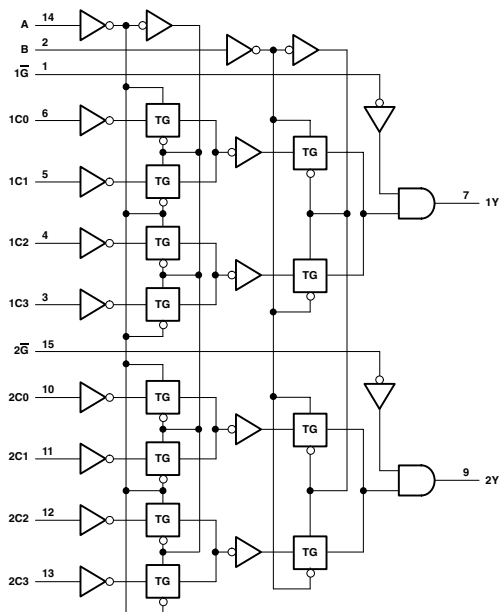
UNIT: ns

## DUAL 4-LINE TO 1-LINE DATA SELECTORS/MULTIPLEXERS

Logic Diagram (SN74ALS, AS, F, LS)



Logic Diagram (SN74HC, HCT, CD74AC, ACT)



**FUNCTION TABLE (SN74)**

SELECT INPUTS		DATA INPUTS			STROBE		OUTPUTS	
B	A	C0	C1	C2	C3	G	Y	
X	X	X	X	X	X	H	L	
L	L	L	X	X	X	L	L	
L	L	H	X	X	X	L	H	
L	H	X	L	X	X	L	L	
L	H	X	H	X	X	L	H	
H	L	X	X	L	X	L	L	
H	L	X	X	H	X	L	H	
H	H	X	X	X	L	L	L	
H	H	X	X	X	H	L	H	

**ELECTRICAL CHARACTERISTICS AND RECOMMENDED OPERATING CONDITIONS**

PARAMETER	MAX or MIN	TTL	LS	S	ALS	AS	F	SN74 HC	CD74 HC	CD74 HCT	CD74 AC	CD74 ACT	UNIT
I <sub>CC</sub>	MAX	60	10	70	14	33	20	0.08	0.16	0.16	0.16	0.16	mA
I <sub>OH</sub>	MAX	-0.8	-0.4	-1	-2.6	-15	-1	-6	-4	-4	-24	-24	mA
I <sub>OL</sub>	MAX	16	8	20	24	48	20	6	4	4	24	24	mA

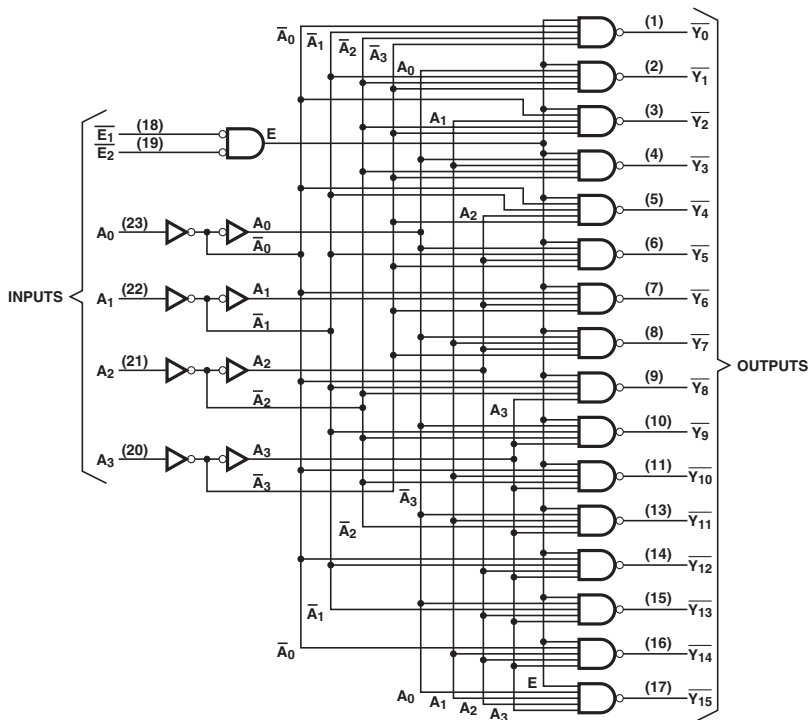
**SWITCHING CHARACTERISTICS**

PARAMETER	INPUT	OUTPUT	MAX or MIN	TTL	LS	S	ALS	AS	F	SN74 HC	CD74 HC	CD74 HCT
t <sub>PLH</sub>	DATA	Y	MAX	18	15	9	10	7	8	35	44	51
			MAX	23	26	9	15	8	7.5	35	44	51
t <sub>PHL</sub>	SELECT	Y	MAX	34	29	18	21	12.5	12	38	48	51
			MAX	34	38	18	21	11	10.5	38	48	51
t <sub>PLH</sub>	STROBE	Y	MAX	30	24	15	18	11.5	10.5	24	36	41
			MAX	23	32	13.5	18	9	8	24	36	41

PARAMETER	INPUT	OUTPUT	MAX or MIN	CD74 AC	CD74 ACT
t <sub>PLH</sub>	DATA	Y	MAX	13.3	18
			MAX	13.3	18
t <sub>PHL</sub>	SELECT	Y	MAX	20	22
			MAX	20	22
t <sub>PLH</sub>	STROBE	Y	MAX	11.8	12.6
			MAX	11.8	12.6

UNIT: ns

Logic Diagram

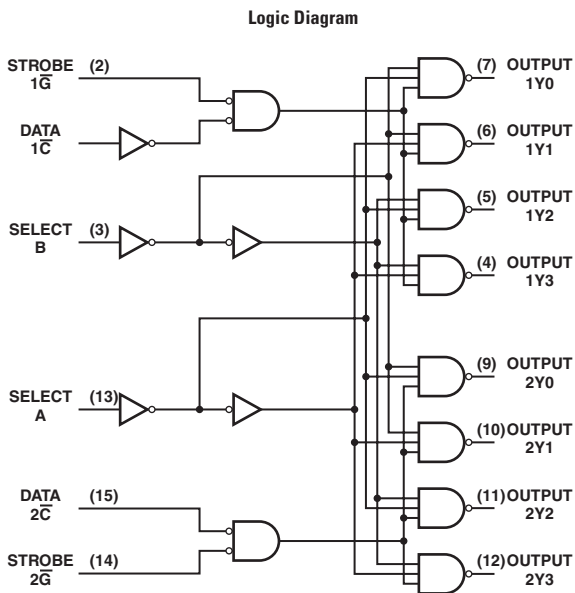






## DUAL 2-LINE TO 4-LINE DECODERS/DEMULTIPLEXERS

- Individual Strobes Simplify Cascading for Decoding or Demultiplexing Larger Words
- Outputs: Totem Pole



## FUNCTION TABLES

2-LINE TO 4-LINE DECODER OR  
1-LINE TO 4-LINE DEMULTIPLEXER

INPUTS				OUTPUTS			
SELECT		STROBE	DATA				
B	A	1G	1C	1Y0	1Y1	1Y2	1Y3
X	X	H	X	H	H	H	H
L	L	L	H	L	H	H	H
L	H	L	H	H	L	H	H
H	L	L	H	H	H	L	H
H	H	L	H	H	H	H	L
X	X	X	L	H	H	H	H

INPUTS				OUTPUTS			
SELECT		STROBE	DATA				
B	A	2G	2C	2Y0	2Y1	2Y2	2Y3
X	X	H	X	H	H	H	H
L	L	L	L	L	H	H	H
L	H	L	L	H	L	H	H
H	L	L	L	H	H	L	H
H	H	L	L	H	H	H	L
X	X	X	H	H	H	H	H

3-LINE TO 8-LINE DECODER OR  
1-LINE TO 8-LINE DEMULTIPLEXER

INPUTS				OUTPUTS							
SELECT			STROBE or DATA	(0)	(1)	(2)	(3)	(4)	(5)	(6)	(7)
C†	B	A	G‡	2Y0	2Y1	2Y2	2Y3	1Y0	1Y1	1Y2	1Y3
X	X	X	H	H	H	H	H	H	H	H	H
L	L	L	L	L	H	H	H	H	H	H	H
L	L	H	L	H	L	H	H	H	H	H	H
L	H	L	L	H	H	L	H	H	H	H	H
L	H	H	L	H	H	H	L	H	H	H	H
H	L	L	L	H	H	H	H	L	H	H	H
H	L	H	L	H	H	H	H	H	L	H	H
H	H	L	L	H	H	H	H	H	H	L	H
H	H	H	L	H	H	H	H	H	H	H	L

† C = inputs 1C and 2C connected together

‡ G = inputs 1G and 2G connected together

### ELECTRICAL CHARACTERISTICS AND RECOMMENDED OPERATING CONDITIONS

PARAMETER	MAX or MIN	TTL	LS	ALS	UNIT
I <sub>CC</sub>	MAX	40	10	13	mA
I <sub>OH</sub>	MAX	-0.8	-0.4	-0.4	mA
I <sub>OL</sub>	MAX	16	8	8	mA

### SWITCHING CHARACTERISTICS

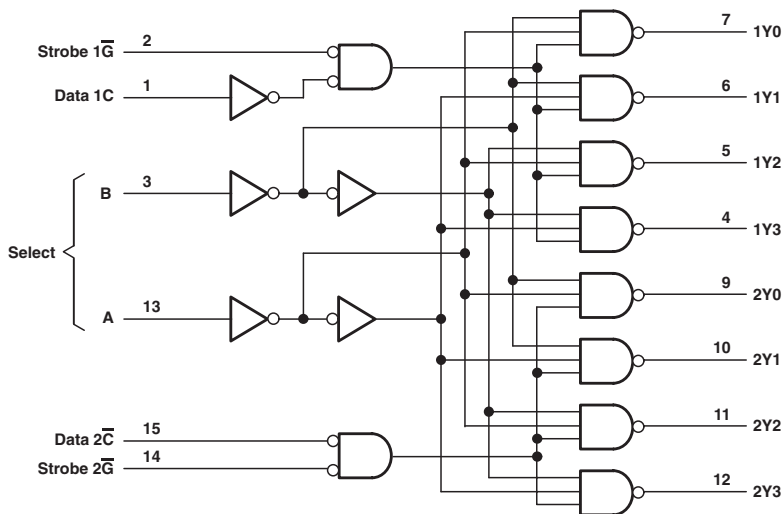
PARAMETER	INPUT	OUTPUT	MAX or MIN	TTL	LS	ALS
t <sub>PLH</sub>	A or B	Y	MAX	32	26	14
t <sub>PHL</sub>	A or B			32	30	12
t <sub>PLH</sub>	1C	Y	MAX	24	27	12
t <sub>PHL</sub>	1C			30	27	14

UNIT: ns

## DUAL 2-LINE TO 4-LINE DECODERS/DEMULTIPLEXERS WITH OPEN-COLLECTOR OUTPUTS

- Individual Strobes Simplify Cascading for Decoding or Demultiplexing Larger Words
- Outputs: Open-Collector

Logic Diagram



## FUNCTION TABLES

2-LINE TO 4-LINE DECODER OR  
1-LINE TO 4-LINE DEMULTIPLEXER

INPUTS				OUTPUTS			
SELECT		STROBE	DATA	1Y0	1Y1	1Y2	1Y3
B	A	1G	1C				
X	X	H	X	H	H	H	H
L	L	L	H	L	H	H	H
L	H	L	H	H	L	H	H
H	L	L	H	H	H	L	H
H	H	L	H	H	H	H	L
X	X	X	L	H	H	H	H

INPUTS				OUTPUTS			
SELECT		STROBE	DATA	2Y0	2Y1	2Y2	2Y3
B	A	2G	2C				
X	X	H	X	H	H	H	H
L	L	L	L	L	L	H	H
L	H	L	L	H	L	H	H
H	L	L	L	H	H	L	H
H	H	L	L	H	H	H	L
X	X	X	H	H	H	H	H

3-LINE TO 8-LINE DECODER OR  
1-LINE TO 8-LINE DEMULTIPLEXER

INPUTS				OUTPUTS							
SELECT			STROBE or DATA	(0)	(1)	(2)	(3)	(4)	(5)	(6)	(7)
C†	B	A	G‡	2Y0	2Y1	2Y2	2Y3	1Y0	1Y1	1Y2	1Y3
X	X	X	H	H	H	H	H	H	H	H	H
L	L	L	L	L	H	H	H	H	H	H	H
L	L	H	L	H	L	H	H	H	H	H	H
L	H	L	L	H	H	L	H	H	H	H	H
L	H	H	L	H	H	H	L	H	H	H	H
H	L	L	L	H	H	H	H	L	H	H	H
H	L	H	L	H	H	H	H	H	L	H	H
H	H	L	L	H	H	H	H	H	H	L	H
H	H	H	L	H	H	H	H	H	H	H	L

† C = inputs 1C and 2C connected together

‡ G = inputs 1G and 2G connected together

### ELECTRICAL CHARACTERISTICS AND RECOMMENDED OPERATING CONDITIONS

PARAMETER	MAX or MIN	TTL	LS	ALS	UNIT
I <sub>CC</sub>	MAX	40	10	9	mA
I <sub>OL</sub>	MAX	16	8	8	mA
V <sub>OH</sub>	MAX	5.5	5.5	5.5	mA

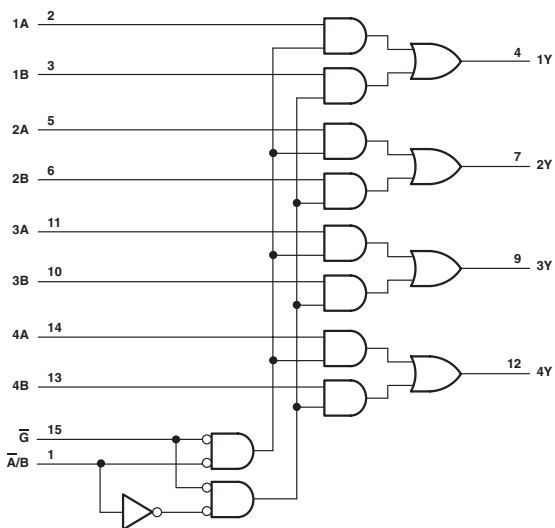
### SWITCHING CHARACTERISTICS

PARAMETER	INPUT	OUTPUT	MAX or MIN	TTL	LS	ALS
t <sub>PLH</sub>	2C 1G or 2G	Y	MAX	23	40	38
				30	51	22
t <sub>PHL</sub>	A or B	Y	MAX	34	46	55
				34	51	25
t <sub>PLH</sub>	1C	Y	MAX	27	48	50
				33	48	23

UNIT: ns

## QUADRUPLE 2-LINE TO 1-LINE DATA SELECTORS/MULTIPLEXERS

Logic Diagram (SN74LV/SN74HC)



FUNCTION TABLE (SN74)

		INPUTS				OUTPUT
STROBE	SELECT	A	B			
H	X	X	X	X	L	
L	L	L	L	X	L	
L	L	H	X	X	H	
L	H	X	L	L	L	
L	H	X	H	H	H	

## ELECTRICAL CHARACTERISTICS AND RECOMMENDED OPERATING CONDITIONS

PARAMETER	MAX or MIN	TTL	LS	S	ALS	AS	F	SN74 HC	CD74 HC	SN74 HCT	UNIT
I <sub>CC</sub>	MAX	48	16	78	11	28	23	0.08	0.16	0.08	mA
I <sub>OH</sub>	MAX	-0.8	-0.4	-1	-0.4	-2	-1	-6	-4	-6	mA
I <sub>OL</sub>	MAX	16	8	20	8	20	20	6	4	6	mA

PARAMETER	MAX or MIN	CD74 HCT	CD74 AC	CD74 ACT	AHC	AHCT	LV 3V	LV 5V	LVC 3V	UNIT
I <sub>CC</sub>	MAX	0.16	0.16	0.16	0.04	0.02	-	0.02	0.01	mA
I <sub>OH</sub>	MAX	-4	-24	-24	-8	-8	-6	-12	-24	mA
I <sub>OL</sub>	MAX	4	24	24	8	8	6	12	24	mA

## SWITCHING CHARACTERISTICS

PARAMETER	INPUT	OUTPUT	MAX or MIN	TTL	LS	S	ALS	AS	F	SN74 HC	CD74 HC	SN74 HCT
t <sub>PLH</sub>	DATA	Y	MAX	14	14	7.5	14	6	6.5	32	38	35
				14	14	6.5	12	5.5	7	32	38	35
t <sub>PHL</sub>	STROBE	Y	MAX	20	20	12.5	20	10.5	11	29	41	33
				21	21	12	13	7.5	7	29	41	33
t <sub>PLH</sub>	SELECT	Y	MAX	23	23	15	24	11	11	31	44	40
				27	27	15	17	10	8	31	44	40

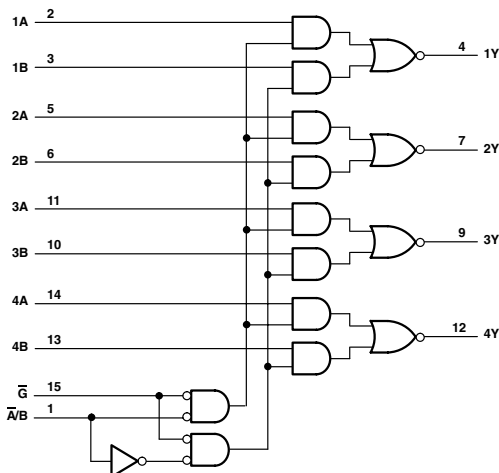
PARAMETER	INPUT	OUTPUT	MAX or MIN	CD74 HCT	CD74 AC	CD74 ACT	AHC	AHCT	LV 3V	LV 5V	LVC 3V
t <sub>PLH</sub>	DATA	Y	MAX	38	8.5	9.5	9.5	9.8	15	9.5	5.2
				38	8.5	9.5	9.5	9.8	15	9.5	5.2
t <sub>PHL</sub>	STROBE	Y	MAX	41	13.5	13.5	12	12	19.5	12	6.5
				41	13.5	13.5	12	12	19.5	12	6.5
t <sub>PLH</sub>	SELECT	Y	MAX	44	14.5	14.5	11.5	12	19	11.5	6.8
				44	14.5	14.5	11.5	12	19	11.5	6.8

UNIT: ns

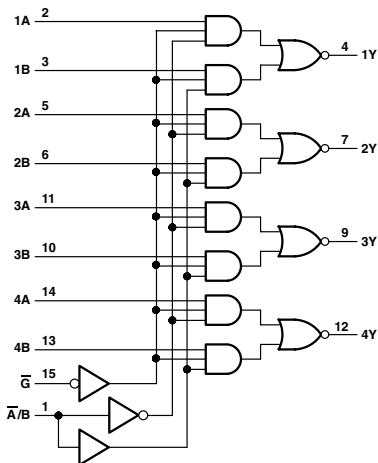
## QUADRUPLE 2-LINE TO 1-LINE DATA SELECTORS/MULTIPLEXERS

### ● Buffered Inputs and Outputs

#### Logic Diagram (SN74HC, ALS, LS)



#### Logic Diagram (SN74AS)



FUNCTION TABLE (SN74)

INPUTS				OUTPUT
STROBE	SELECT	A	B	
H	X	X	X	H
L	L	L	X	H
L	L	H	X	L
L	H	X	L	H
L	H	X	H	L

## ELECTRICAL CHARACTERISTICS AND RECOMMENDED OPERATING CONDITIONS

PARAMETER	MAX or MIN	LS	S	ALS	AS	F	SN74 HC	CD74 HC	CD74 HCT	UNIT
I <sub>CC</sub>	MAX	11	81	10	22.5	15	0.08	0.16	0.16	mA
I <sub>OH</sub>	MAX	-0.4	-1	-0.4	-2	-1	-6	-4	-4	mA
I <sub>OL</sub>	MAX	8	20	8	20	20	6	4	4	mA

PARAMETER	MAX or MIN	CD74 AC	CD74 ACT	AHC	AHCT	UNIT
I <sub>CC</sub>	MAX	0.16	0.16	0.04	0.02	mA
I <sub>OH</sub>	MAX	-24	-24	-8	-8	mA
I <sub>OL</sub>	MAX	24	24	8	8	mA

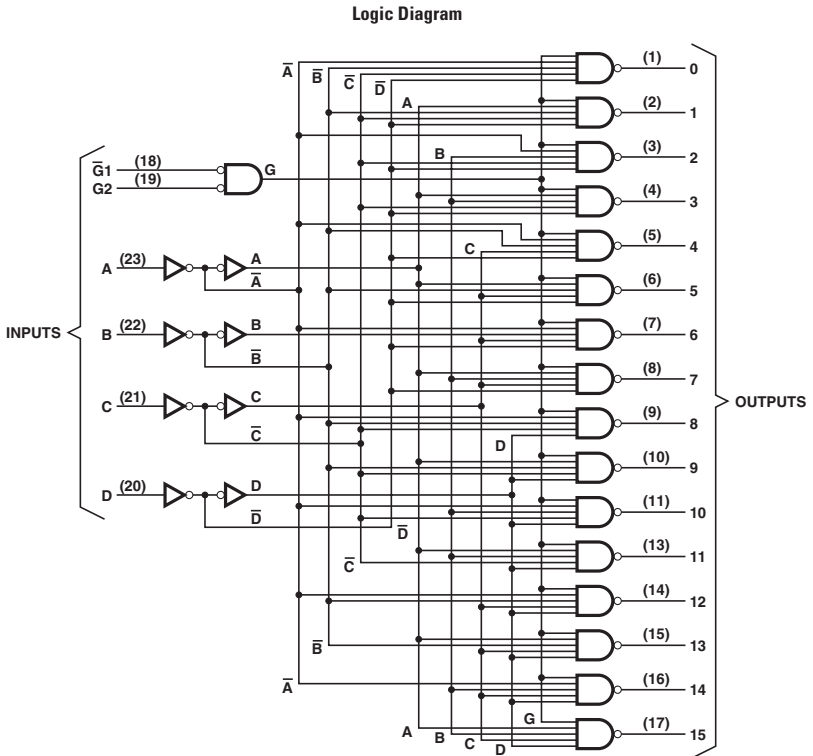
## SWITCHING CHARACTERISTICS

PARAMETER	INPUT	OUTPUT	MAX or MIN	LS	S	ALS	AS	F	SN74 HC	CD74 HC	CD74 HCT
t <sub>PLH</sub>	DATA	Y	MAX	12	6	15	5	7	32	42	42
				15	6	8	4.5	4.5	32	42	42
t <sub>PHL</sub>	STROBE	Y	MAX	17	11.5	18	6.5	7	29	48	48
				24	12	18	10	6.5	29	48	48
t <sub>PLH</sub>	SELECT	Y	MAX	20	12	18	9.5	9.5	31	45	45
				24	12	18	10.5	7	31	45	45

PARAMETER	INPUT	OUTPUT	MAX or MIN	CD74 AC	CD74 ACT	AHC	AHCT
t <sub>PLH</sub>	DATA	Y	MAX	8	9.2	9.5	9.8
				8	9.2	9.5	9.8
t <sub>PHL</sub>	STROBE	Y	MAX	11.9	12.4	12	12
				11.9	12.4	12	12
t <sub>PLH</sub>	SELECT	Y	MAX	12.9	13.5	11.5	12
				12.9	13.5	11.5	12

UNIT: ns





FUNCTION TABLE

		INPUTS				OUTPUTS																
G1	G2	D	C	B	A	0	1	2	3	4	5	6	7	8	9	10	11	12	13	14	15	
L	L	L	L	L	L	L	H	H	H	H	H	H	H	H	H	H	H	H	H	H	H	H
L	L	L	L	L	H	H	L	H	H	H	H	H	H	H	H	H	H	H	H	H	H	H
L	L	L	L	H	L	H	H	L	H	H	H	H	H	H	H	H	H	H	H	H	H	H
L	L	L	L	H	H	H	H	L	H	H	H	H	H	H	H	H	H	H	H	H	H	H
L	L	L	H	L	L	H	H	H	H	L	H	H	H	H	H	H	H	H	H	H	H	H
L	L	L	H	H	L	H	H	H	H	H	L	H	H	H	H	H	H	H	H	H	H	H
L	L	L	H	H	H	H	H	H	H	H	H	L	H	H	H	H	H	H	H	H	H	H
L	L	L	H	L	L	L	H	H	H	H	H	H	H	L	H	H	H	H	H	H	H	H
L	L	H	L	L	H	H	H	H	H	H	H	H	H	L	H	H	H	H	H	H	H	H
L	L	H	L	H	L	H	H	H	H	H	H	H	H	H	L	H	H	H	H	H	H	H
L	L	H	L	H	H	H	H	H	H	H	H	H	H	H	H	L	H	H	H	H	H	H
L	L	H	H	L	L	H	H	H	H	H	H	H	H	H	H	H	L	H	H	H	H	H
L	L	H	H	L	L	H	H	H	H	H	H	H	H	H	H	H	H	L	H	H	H	H
L	L	H	H	H	L	H	H	H	H	H	H	H	H	H	H	H	H	H	L	H	H	H
L	L	H	H	H	H	H	H	H	H	H	H	H	H	H	H	H	H	H	H	L	H	H
L	H	X	X	X	X	H	H	H	H	H	H	H	H	H	H	H	H	H	H	H	H	H
H	L	X	X	X	X	H	H	H	H	H	H	H	H	H	H	H	H	H	H	H	H	H
H	H	X	X	X	X	H	H	H	H	H	H	H	H	H	H	H	H	H	H	H	H	H

## ELECTRICAL CHARACTERISTICS AND RECOMMENDED OPERATING CONDITIONS

PARAMETER	MAX or MIN	TTL	UNIT
I <sub>CC</sub>	MAX	56	mA
I <sub>OL</sub>	MAX	16	mA

## SWITCHING CHARACTERISTICS

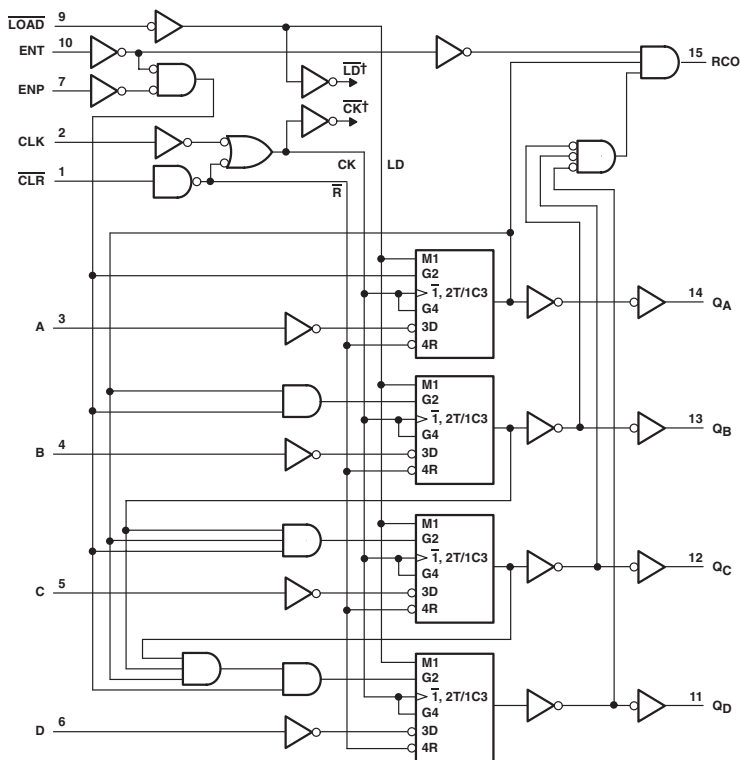
PARAMETER	INPUT	OUTPUT	MAX or MIN	TTL
t <sub>PLH</sub>	INPUT	ANY	MAX	36
t <sub>PHL</sub>				36
t <sub>PLH</sub>	STROBE	ANY	MAX	25
t <sub>PHL</sub>				36

UNIT: ns

## 4-BIT SYNCHRONOUS BINARY COUNTERS

- Asynchronous Clear Function
- Carry Output for n-Bit Cascading

Logic Diagram (SN74)



† For simplicity, routing of complementary signals  $\overline{LD}$  and  $\overline{CK}$  is not shown on this overall logic diagram. The uses of these signals are shown on the logic diagram of the D/T flip-flops.

FUNCTION TABLE (SN74)

INPUTS					OUTPUTS				FUNCTION
CLR	LOAD	ENP	ENT	CLK	QA	QB	QC	QD	
L	X	X	X	X	L	L	L	L	Reset to "0"
H	L	X	X		A	B	C	D	Preset Data
H	H	X	L						No Change
H	H	L	X						No Change
H	H	H	H						Count up
H	X	X	X						No Change

## ELECTRICAL CHARACTERISTICS AND RECOMMENDED OPERATING CONDITIONS

PARAMETER	MAX or MIN	TTL	LS	ALS	AS	F	SN74 HC	CD74 HC	CD74 HCT	CD74 AC	CD74 ACT	LV 3V	LV 5V	UNIT
I <sub>CC</sub>	MAX	101	32	21	53	55	0.08	0.16	0.16	0.08	0.08	-	0.02	mA
I <sub>OH</sub>	MAX	-0.8	-0.4	-0.4	-2	-1	4	-4	-4	-24	-24	-6	-12	mA
I <sub>OL</sub>	MAX	16	8	8	20	20	-4	4	4	24	24	-6	12	mA

## TIMING REQUIREMENTS AND SWITCHING CHARACTERISTICS

PARAMETER	INPUT	OUTPUT	MAX or MIN	TTL	LS	ALS	AS	F	SN74 HC	CD74 HC	CD74 HCT
f <sub>max</sub>			MIN	25	25	40	75	90	25	20	20
t <sub>w</sub>	CLOCK		MIN	25	25	-	-	7	20	24	24
	CLEAR			20	20	15	8	5	20	30	30
t <sub>su</sub>	INPUT		MIN	20	20	15	8	5	38	18	15
	ENABLE			20	20	15	8	11.5	43	15	20
	LOAD			25	20	15	8	11.5	34	18	18
	CLEAR INACTIVE			20	25	10	8	-	31	-	-
					0	3	0	0	2	0	3
t <sub>th</sub>			MIN	0	3	0	0	2	0	3	5
t <sub>PLH</sub>	CLOCK	RIPPLE CARRY (CD74HC/HCT: TC)	MAX	35	35	20	16.5	15	54	56	63
t <sub>PHL</sub>				35	35	20	12.5	15	54	56	63
t <sub>PLH</sub>	CLOCK	ANY Q	MAX	25	24	15	7	9.5	51	56	59
t <sub>PHL</sub>				29	27	20	13	11	51	56	59
t <sub>PLH</sub>	ENABLE	RIPPLE CARRY (CD74HC/HCT: TC)	MAX	16	14	13	9	8.5	49	36	48
t <sub>PHL</sub>				16	14	13	8.5	8.5	49	36	48
t <sub>PHL</sub>	CLEAR	ANY Q	MAX	38	28	24	13	13	53	63	75
		RIPPLE CARRY (CD74HC/HCT: TC)	MAX	-	-	23	12.5	11.5	55	63	75

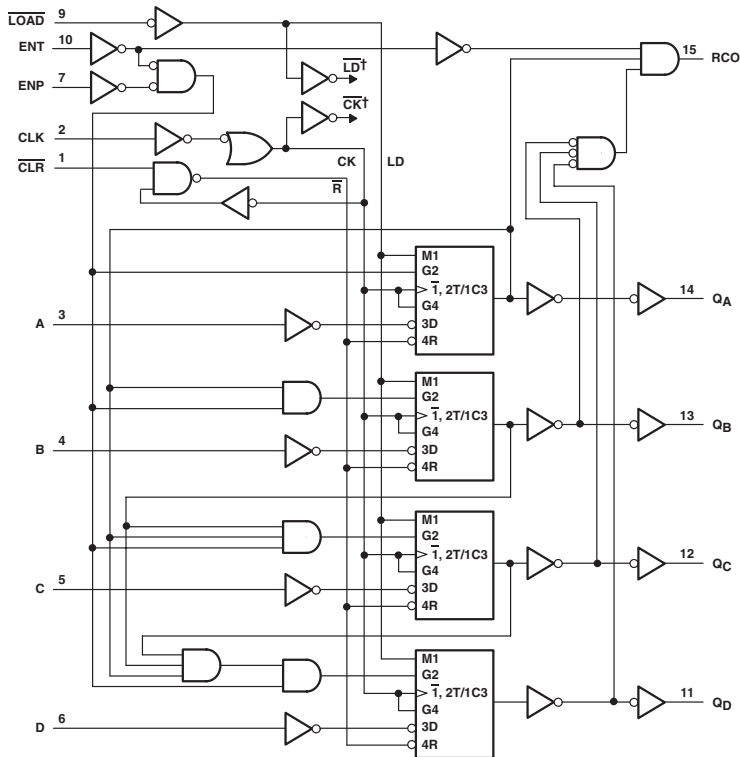
PARAMETER	INPUT	OUTPUT	MAX or MIN	CD74 AC	CD74 ACT	LV 3V	LV 5V
f <sub>max</sub>			MIN	90	80	50	85
t <sub>w</sub>	CLOCK		MIN	5.5	6.2	5	5
	CLEAR			5	6	5	5
t <sub>su</sub>	INPUT		MIN	5	5	6.5	4.5
	ENABLE			-	-	9	6
	LOAD			6	6	9.5	6
	CLEAR INACTIVE			-	-	2.5	1.5
					0	0	1
t <sub>th</sub>			MIN	0	0	1	1
t <sub>PLH</sub>	CLOCK	RIPPLE CARRY (CD74HC/HCT: TC)	MAX	16.7	16.7	23.5	14
t <sub>PHL</sub>				16.7	16.7	23.5	14
t <sub>PLH</sub>	CLOCK	ANY Q	MAX	16.5	16.5	18.5	11.5
t <sub>PHL</sub>				16.5	16.5	18.5	11.5
t <sub>PLH</sub>	ENABLE	RIPPLE CARRY (CD74HC/HCT: TC)	MAX	10.3	10.8	18	11.5
t <sub>PHL</sub>				10.3	10.8	18	11.5
t <sub>PHL</sub>	CLEAR	ANY Q	MAX	16.5	16.5	19.5	12.5
		RIPPLE CARRY (CD74HC/HCT: TC)	MAX	16.5	16.5	19	12

UNIT f<sub>max</sub> : MHz, other : ns

## 4-BIT SYNCHRONOUS BINARY COUNTERS

- Synchronous Clear Function
- Carry Output for n-Bit Cascading

Logic Diagram (SN74LV)



† For simplicity, routing of complementary signals  $\overline{LD}$  and  $\overline{CK}$  is not shown on this overall logic diagram. The uses of these signals are shown on the logic diagram of the D/T flip-flops.

FUNCTION TABLE (SN74)

INPUTS					OUTPUTS				FUNCTION
CLR	LOAD	ENP	ENT	CLK	QA	QB	QC	QD	
L	X	X	X	X	L	L	L	L	Reset to "0"
H	L	X	X	X	A	B	C	D	Preset data
H	H	X	L						No change
H	H	L	X						No change
H	H	H	H						Count up
H	X	X	X						No change

## ELECTRICAL CHARACTERISTICS AND RECOMMENDED OPERATING CONDITIONS

PARAMETER	MAX or MIN	TTL	LS	S	ALS	AS	F	SN74 HC	CD74 HC	CD74 HCT	CD74 AC	CD74 ACT	LV 3V	LV 5V	UNIT
I <sub>cc</sub>	MAX	101	32	160	21	53	55	0.08	0.16	0.16	0.16	0.16	-	0.02	mA
I <sub>oh</sub>	MAX	-0.8	-0.4	-1	-0.4	-2	-1	4	-4	-4	-24	-24	-6	-12	mA
I <sub>ol</sub>	MAX	16	8	20	8	20	20	-4	4	4	24	24	-6	12	mA

## TIMING REQUIREMENTS AND SWITCHING CHARACTERISTICS

PARAMETER	INPUT	OUTPUT	MAX or MIN	TTL	LS	S	ALS	AS	F	SN74 HC
f <sub>max</sub>			MIN	25	25	40	40	75	90	25
t <sub>w</sub>	CLOCK		MIN	25	25	10	-	-	7	20
	CLEAR			20	20	10	12.5	6.7	-	-
t <sub>su</sub>	INPUT		MIN	20	20	4	15	8	5	38
	ENABLE			20	20	12	15	8	11.5	43
	LOAD			25	20	14	15	8	11.5	34
	CLEAR			20	20	14	15	12	-	40
					0	3	3	0	0	2
t <sub>h</sub>			MIN	0	3	3	0	0	2	0
t <sub>PLH</sub>	CLOCK	RIPPLE CARRY	MAX	35	35	25	20	16.5	15	54
t <sub>PHL</sub>				35	35	25	20	12.5	15	54
t <sub>PLH</sub>	CLOCK	ANY Q	MAX	25	24	15	15	7	9.5	51
t <sub>PHL</sub>				29	27	15	20	13	11	51
t <sub>PLH</sub>	ENABLE	RIPPLE CARRY	MAX	16	14	15	13	9	8.5	49
t <sub>PHL</sub>				16	14	15	13	8.5	8.5	49

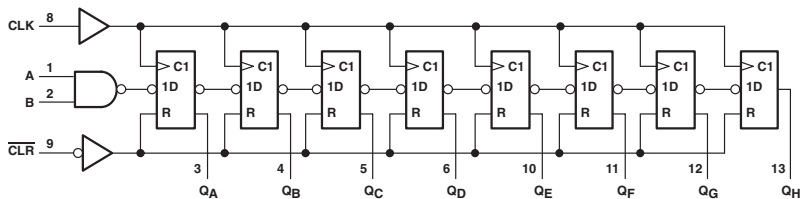
PARAMETER	INPUT	OUTPUT	MAX or MIN	CD74 HC	CD74 HCT	CD74 AC	CD74 ACT	LV 3V	LV 5V
f <sub>max</sub>			MIN	20	20	90	80	50	85
t <sub>w</sub>	CLOCK		MIN	24	24	5.5	6.2	5	5
	CLEAR			-	-	-	-	-	-
t <sub>su</sub>	INPUT		MIN	18	15	5	5	6.5	4.5
	ENABLE			15	20	5	6	9	6
	LOAD			18	18	6	7.5	9.5	6
	CLEAR			20	20	6	7.5	4	3.5
					3	5	0	0	1
t <sub>h</sub>			MIN	3	5	0	0	1	1
t <sub>PLH</sub>	CLOCK	RIPPLE CARRY	MAX	56	63	16.7	16.7	23.5	14
t <sub>PHL</sub>				56	63	16.7	16.7	23.5	14
t <sub>PLH</sub>	CLOCK	ANY Q	MAX	56	59	16.5	16.5	18.5	11.5
t <sub>PHL</sub>				56	59	16.5	16.5	18.5	11.5
t <sub>PLH</sub>	ENABLE	RIPPLE CARRY	MAX	36	48	10.3	10.8	18	11.5
t <sub>PHL</sub>				36	48	10.3	10.8	18	11.5

UNIT f<sub>max</sub> : MHz, other : ns

## 8-BIT PARALLEL-OUT SERIAL SHIFT REGISTERS

- AND-Gated (Enable/Disable) Serial Inputs
- Fully Buffered Clock and Serial Inputs

Logic Diagram (SN74)



FUNCTION TABLE (SN74)

INPUTS				OUTPUTS			
CLEAR	CLOCK	A	B	Q <sub>A</sub>	Q <sub>B</sub>	...	Q <sub>H</sub>
L	X	X	X	L	L	L	L
H	L	X	X	Q <sub>A0</sub>	Q <sub>B0</sub>	...	Q <sub>H0</sub>
H	↑	H	H	H	Q <sub>An</sub>	...	Q <sub>Gn</sub>
H	↑	L	X	L	Q <sub>An</sub>	...	Q <sub>Gn</sub>
H	↑	X	L	L	Q <sub>An</sub>	...	Q <sub>Gn</sub>

ELECTRICAL CHARACTERISTICS AND RECOMMENDED OPERATING CONDITIONS

PARAMETER	MAX or MIN	TTL	LS	ALS	SN74 HC	CD74 HC	CD74 HCT	CD74 AC	CD74 ACT	LV 3V	LV 5V	UNIT
I <sub>CC</sub>	MAX	54	27	24	0.08	0.16	0.16	0.16	0.16	-	0.02	mA
I <sub>OH</sub>	MAX	-0.4	-0.4	-0.4	-4	-4	-4	-24	-24	-6	-12	mA
I <sub>OL</sub>	MAX	8	8	8	4	4	4	24	24	6	12	mA

TIMING REQUIREMENTS AND SWITCHING CHARACTERISTICS

PARAMETER	INPUT	OUTPUT	MAX or MIN	TTL	LS	ALS	SN74 HC	CD74 HC	CD74 HCT	CD74 AC	CD74 ACT
f <sub>max</sub>			MIN	25	25	50	25	20	18	7.5	7.0
t <sub>w</sub>	CLR "L"		MIN	20	20	16	25	18	27	4.5	4.5
			MIN	20	20	10	20	24	27	6.7	7.1
			MIN	20	20	10	20	24	27	6.7	7.1
			MIN	20	20	10	20	24	27	6.7	7.1
t <sub>su</sub>	DATA		MIN	15	15	6	25	18	18	2.5	2.5
			MIN	20	20	8	25	18	18	2.5	2.5
t <sub>h</sub>			MIN	5	5	2	5	4	4	2.5	3
t <sub>PHL</sub>	CLEAR	Q	MAX	42	36	20	51	42	57	13.9	15.8
t <sub>PLH</sub>	CLOCK	Q	MAX	30	27	16	44	51	54	12.5	14.9
			MAX	37	32	17	44	51	54	12.5	14.9

PARAMETER	INPUT	OUTPUT	MAX or MIN	LV 3V	LV 5V
f <sub>max</sub>			MIN	45	75
t <sub>w</sub>	CLR "L"		MIN	5	5
			MIN	5	5
			MIN	5	5
			MIN	5	5
t <sub>su</sub>	DATA		MIN	6	4.5
			MIN	2.5	2.5
t <sub>h</sub>			MIN	0	1
t <sub>PHL</sub>	CLEAR	Q	MAX	18.5	12.5
t <sub>PLH</sub>	CLOCK	Q	MAX	18.5	12.5
			MAX	18.5	12.5

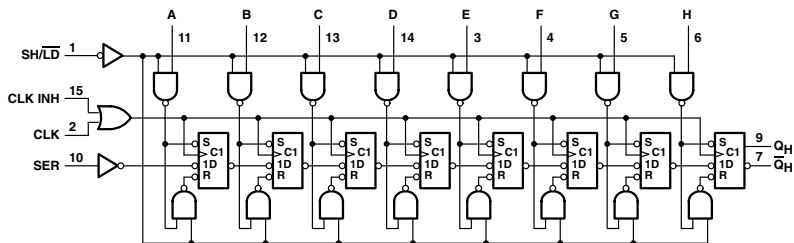
UNIT f<sub>max</sub> : MHz, other : ns



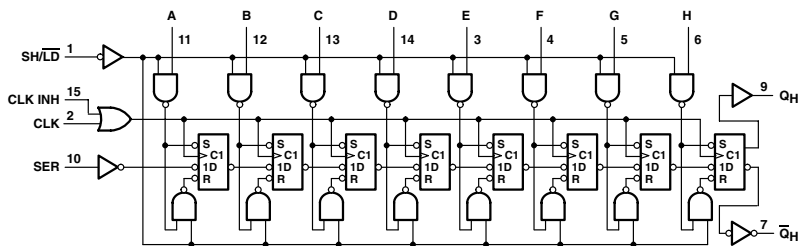
## PARALLEL-LOAD 8-BIT SHIFT REGISTERS

- Complementary Outputs: Serial (QH,  $\bar{Q}_H$ )
- Direct Overriding Load (Data) Inputs
- Parallel-to-Serial Data Conversion

Logic Diagram (SN74LV, ALS, LS)



Logic Diagram (SN74HC)



FUNCTION TABLE (SN74)

SHIFT/ LOAD	CLOCK INHIBIT	INPUTS			INTERNAL OUTPUTS		OUTPUT Q <sub>H</sub>
		CLOCK	SERIAL	PARALLEL A...H	Q <sub>A</sub>	Q <sub>B</sub>	
L	X	X	X	a...h	a	b	h
H	L	L	X	X	Q <sub>A0</sub>	Q <sub>B0</sub>	Q <sub>H0</sub>
H	L	↑	H	X	H	Q <sub>An</sub>	Q <sub>Gn</sub>
H	L	↑	L	X	L	Q <sub>An</sub>	Q <sub>Gn</sub>
H	H	X	X	X	Q <sub>A0</sub>	Q <sub>B0</sub>	Q <sub>H0</sub>

ELECTRICAL CHARACTERISTICS AND RECOMMENDED OPERATING CONDITIONS

PARAMETER	MAX or MIN	TTL	LS	ALS	SN74 HC	CD74 HC	CD74 HCT	LV 3V	LV 5V	UNIT
I <sub>cc</sub>	MAX	63	30	24	0.08	0.16	0.16	-	0.02	mA
I <sub>OH</sub>	MAX	-0.8	-0.4	-0.4	-4	-4	-4	-6	-12	mA
I <sub>OL</sub>	MAX	16	8	8	4	4	4	6	12	mA

TIMING REQUIREMENTS AND SWITCHING CHARACTERISTICS

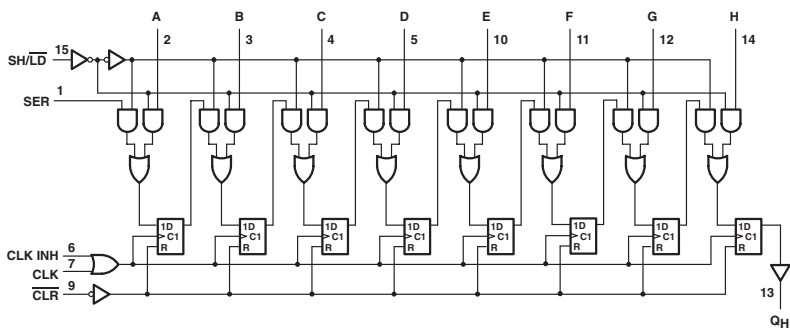
PARAMETER	INPUT	OUTPUT	MAX or MIN	TTL	LS	ALS	SN74 HC	CD74 HC	CD74 HCT	LV 3V	LV 5V
f <sub>max</sub>			MIN	20	25	45	25	20	18	50	85
t <sub>w</sub>	CLOCK (CD74: CP)	High	MIN	25	15	11	20	24	27	7	4
		Low	MIN	25	25	11	20	24	27	7	4
	SH/ $\overline{\text{LD}}$ 'L' (CD74: $\overline{\text{PL}}$ )	High	MIN	15	25	-	-	-	-	-	-
		Low	MIN	15	17	12	20	24	30	9	6
t <sub>su</sub>	CLK INH (CD74: $\overline{\text{CE}}$ )		MIN	30	30	11	25	24	30	5	3.5
	DATA	10		10	10	25	24	30	8.5	5	
	SER (CD74: DS)	20		20	10	10	24	30	6	4	
	SH/ $\overline{\text{LD}}$ 'H'	45		45	10	20	-	-	6	4	
t <sub>h</sub>			MIN	0	0	4	5	11	11	0.5	1
t <sub>PLH</sub>	CLOCK (CD74: CP)	Q <sub>H</sub> or $\overline{\text{Q}}_{H}$ (CD74: Q <sub>7</sub> or $\overline{\text{Q}}_{7}$ )	MAX	24	25	13	38	50	60	16.9	13.5
t <sub>PHL</sub>				31	25	14	38	50	60	16.9	13.5
t <sub>PLH</sub>	SH/ $\overline{\text{LD}}$ (CD74: $\overline{\text{PL}}$ )	Q <sub>H</sub> or $\overline{\text{Q}}_{H}$ (CD74: Q <sub>7</sub> or $\overline{\text{Q}}_{7}$ )	MAX	31	35	20	38	53	60	22	13.5
t <sub>PHL</sub>				40	35	22	38	53	60	22	13.5
t <sub>PLH</sub>	H (CD74: D <sub>7</sub> )	Q <sub>H</sub> (CD74: Q <sub>7</sub> )	MAX	17	25	13	38	45	53	20	12.5
t <sub>PHL</sub>				36	30	16	38	45	53	20	12.5
t <sub>PLH</sub>	H (CD74: D <sub>7</sub> )	$\overline{\text{Q}}_{H}$ (CD74: $\overline{\text{Q}}_{7}$ )	MAX	27	30	15	38	45	53	20	12.5
t <sub>PHL</sub>				27	25	16	38	45	53	20	12.5

UNIT f<sub>max</sub> : MHz, other : ns

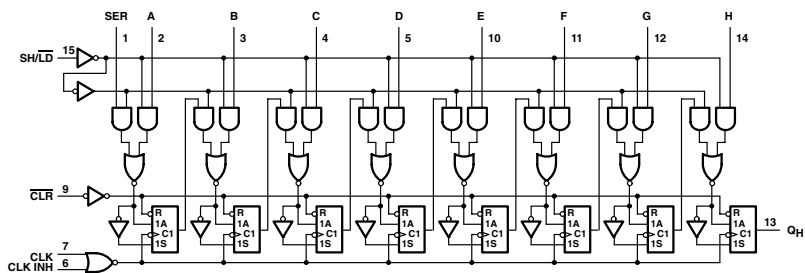
## 8-BIT PARALLEL-LOAD SHIFT REGISTERS

- Synchronous Load
- Direct Overriding Clear
- Parallel-to-Serial Conversion

Logic Diagram (SN74LV, HC)



Logic Diagram (SN74ALS, LS)



FUNCTION TABLE (SN74)

CLEAR	INPUTS						INTERNAL OUTPUTS			OUTPUT
	SHIFT/LOAD	CLOCK INHIBIT	CLOCK	SERIAL	PARALLEL	QA	QB	QH		
					A...H					
L	X	X	X	X	X	L	L	L		
H	X	L	L	X	X	QA0	QB0	QH0		
H	L	L	↑	X	a...h	a	b	h		
H	H	L	↑	H	X	H	QAn	QGn		
H	H	L	↑	L	X	L	QAn	QGn		
H	X	H	↑	X	X	QA0	QB0	QH0		

ELECTRICAL CHARACTERISTICS AND RECOMMENDED OPERATING CONDITIONS

PARAMETER	MAX or MIN	TTL	LS	ALS	F	SN74 HC	CD74 HC	CD74 HCT	LV 3V	LV 5V	UNIT
Icc	MAX	127	32	24	60	0.08	0.16	0.16	-	0.02	mA
Ioh	MAX	-0.8	-0.4	-0.4	-1	-4	-4	-4	-6	-12	mA
Iol	MAX	16	8	8	20	4	4	4	6	12	mA

TIMING REQUIREMENTS AND SWITCHING CHARACTERISTICS

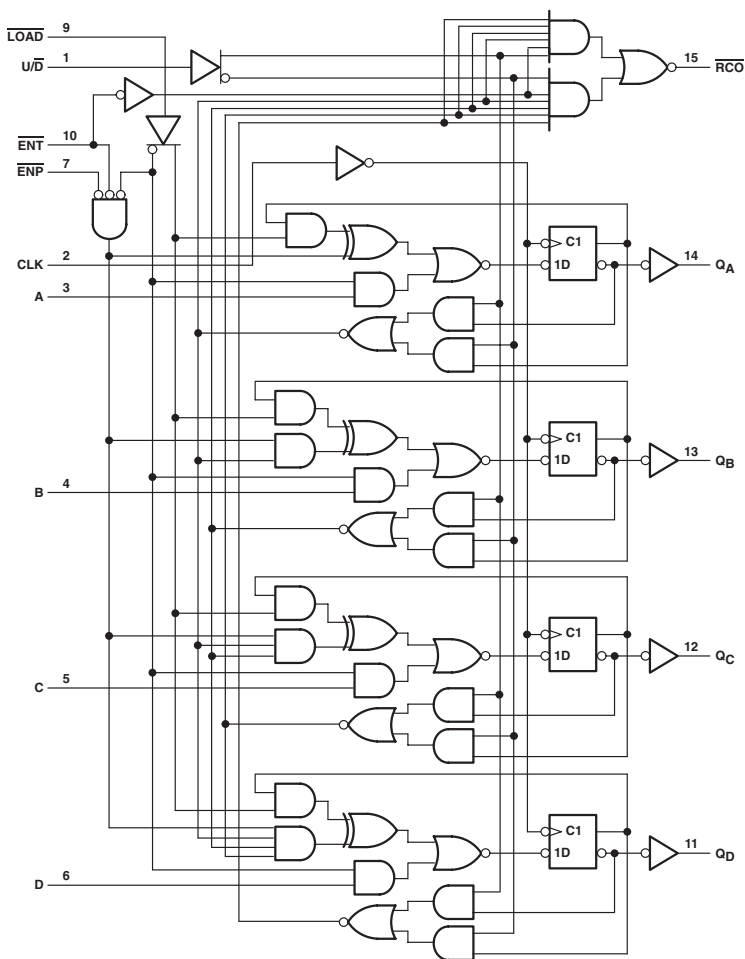
PARAMETER		INPUT	OUTPUT	MAX or MIN	TTL	LS	ALS	F	SN74 HC	CD74 HC	CD74 HCT	LV 3V	LV 5V
fmax				MIN	25	25	45	110	25	20	16	50	85
tw	CLOCK (CD74: CP)			MIN	20	20	10	3.5	20	24	30	7	4
	CLEAR (CD74: MR)				20	25	9	4	25	30	53	7	5
tsu	Mode Control			MIN	30	30	16	4	36	44	45	6	4
	DATA				20	20	7	3	20	24	24	6	4.5
th				MIN	0	0	3	0	0	1	0	0	1
tPHL		CLEAR	QH	MAX	35	30	14	9.5	30	48	60	18.5	12
tPHL		CLOCK	QH	MAX	30	25	13	14	38	48	60	21.5	13.5
tPLH					26	20	12	9	38	48	60	21.5	13.5

UNIT: fmax - MHz; other - ns

## SYNCHRONOUS 4-BIT UP/DOWN BINARY COUNTERS

- Fully Synchronous Operation for Counting and Programming
- Internal Carry Look-Ahead Circuitry for Fast Counting
- Carry Output for n-Bit Cascading

Logic Diagram



## ELECTRICAL CHARACTERISTICS AND RECOMMENDED OPERATING CONDITIONS

PARAMETER		MAX or MIN	LS	S	ALS	AS	F	UNIT
I <sub>CC</sub>		MAX	45	160	25	63	52	mA
I <sub>OH</sub>	$\overline{RCO}$	MAX	-0.4	-1	-0.4	-2	-1	mA
	Q	MAX	-1.2	-1	-0.4	-2	-1	mA
I <sub>OL</sub>	$\overline{RCO}$	MAX	8	20	8	20	20	mA
	Q	MAX	24	20	8	20	20	mA

## TIMING REQUIREMENTS AND SWITCHING CHARACTERISTICS

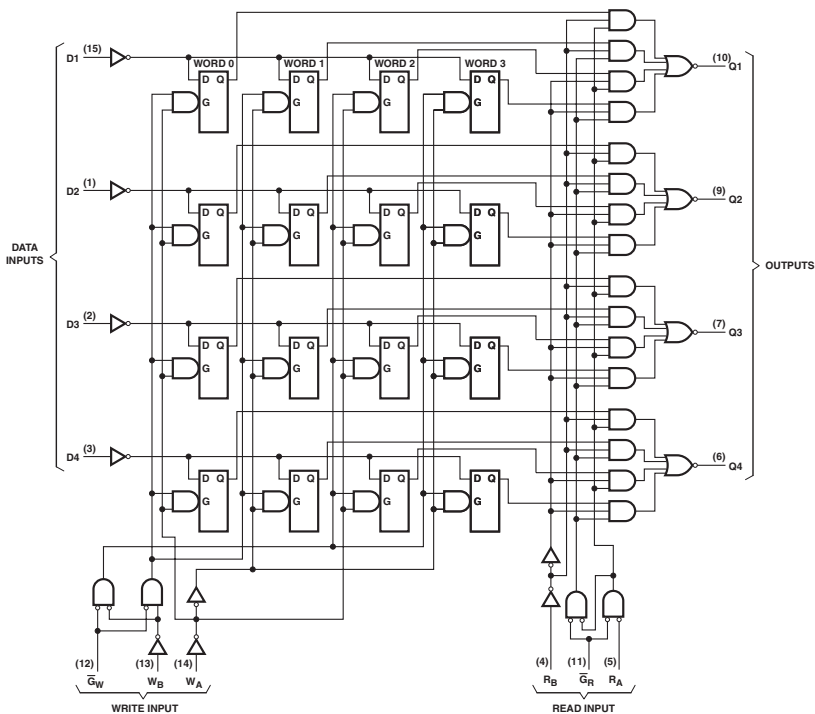
PARAMETER	INPUT	OUTPUT	MAX or MIN	LS	S	ALS	AS	F
f <sub>max</sub>			MIN	20	40	40	75	90
t <sub>PLH</sub>	CLK	$\overline{RCO}$	MAX	40	21	20	16.5	17
				25	28	20	13	12.5
t <sub>PLH</sub>	CLK	ANY Q	MAX	25	15	15	13	9.5
				25	15	20	7	13
t <sub>PLH</sub>	$\overline{ENT}$	$\overline{RCO}$	MAX	25	12	13	9	7
				20	25	16	9	9
t <sub>PLH</sub>	U/ $\overline{D}$	$\overline{RCO}$	MAX	35	15	19	12	12.5
				25	22	19	13	12

UNIT f<sub>max</sub> : MHz, other : ns

## 4-BY-4-REGISTER FILES WITH OPEN-COLLECTOR OUTPUTS

- Separate Read/Write Addressing Permits Simultaneous Reading and Writing
- Fast Access Times: Typically 20ns
- Expandable to 1024 Words of 4 Bits

Logic Diagram



**WRITE FUNCTION TABLE**

WRITE INPUTS			OUTPUTS			
$\overline{W}_B$	$\overline{W}_A$	$\overline{G}_W$	0	1	2	3
L	L	L	$Q = D$	$Q_0$	$Q_0$	$Q_0$
L	H	L	$Q_0$	$Q = D$	$Q_0$	$Q_0$
H	L	L	$Q_0$	$Q_0$	$Q = D$	$Q_0$
H	H	L	$Q_0$	$Q_0$	$Q_0$	$Q = D$
X	X	H	$Q_0$	$Q_0$	$Q_0$	$Q_0$

**READ FUNCTION TABLE**

READ INPUTS			OUTPUTS			
$\overline{R}_B$	$\overline{R}_A$	$\overline{G}_R$	Q1	Q2	Q3	Q4
L	L	L	W0B1	W0B2	W0B3	W0B4
L	H	L	W1B1	W1B2	W1B3	W1B4
H	L	L	W2B1	W2B2	W2B3	W2B4
H	H	L	W3B1	W3B2	W3B3	W3B4
X	X	H	H	H	H	H

**ELECTRICAL CHARACTERISTICS AND RECOMMENDED OPERATING CONDITIONS**

PARAMETER	MAX or MIN	TTL	LS	UNIT
$I_{CC}$	MAX	150	40	mA
$V_{OH}$	MAX	5.5	5.5	V
$I_{OL}$	MAX	16	8	mA

**TIMING REQUIREMENTS AND SWITCHING CHARACTERISTICS**

PARAMETER	INPUT	OUTPUT	MAX or MIN	TTL	LS
$f_{max}$			MIN		
$t_w$			MIN	25	25
$t_{su}$	D		MIN	10	10
	W			15	15
$t_h$	D		MIN	15	15
	W			5	5
$t_{PLH}$	READ ENABLE	$\bar{Q}$	MAX	15	30
$t_{PHL}$				30	30
$t_{PLH}$	READ SELECT	$\bar{Q}$	MAX	35	40
$t_{PHL}$				40	40
$t_{PLH}$	WRITE ENABLE	$\bar{Q}$	MAX	40	45
$t_{PHL}$				45	40
$t_{PLH}$	DATA	$\bar{Q}$	MAX	30	45
$t_{PHL}$				45	35

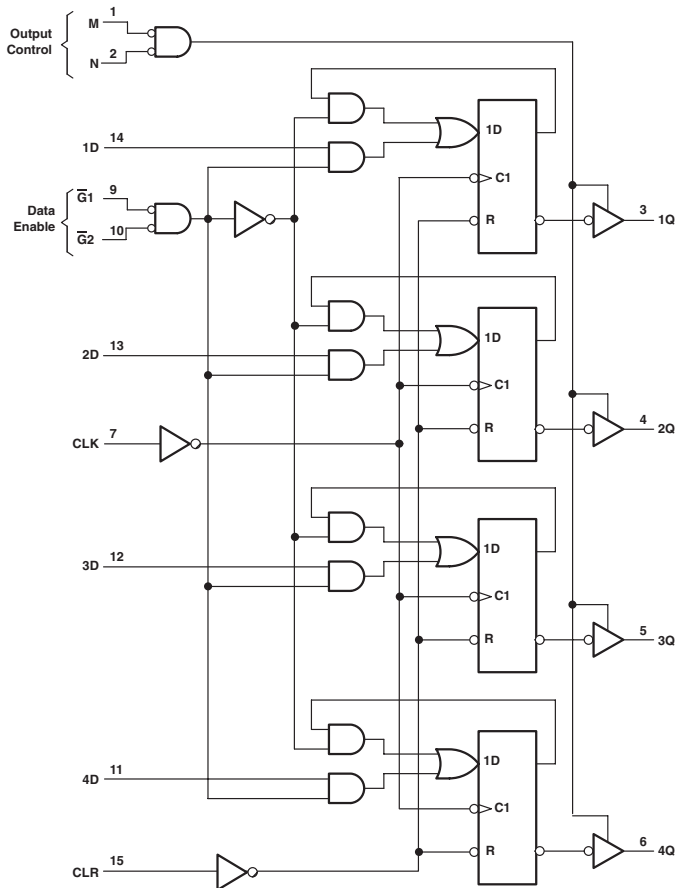
 UNIT  $f_{max}$  : MHz, other : ns



## 4-BIT D-TYPE REGISTERS WITH 3-STATE OUTPUTS

- 3-State Outputs Interface Directly
- Fully Independent Clock Virtually

Logic Diagram (SN74LS)



**FUNCTION TABLE (SN74LS)**

CLEAR	CLOCK	INPUTS			DATA D	OUTPUT Q
		DATA	ENABLE			
		G1	G2			
H	X	X	X	X	L	
L	L	X	X	X	Q <sub>0</sub>	
L	↑	H	X	X	Q <sub>0</sub>	
L	↑	X	H	X	Q <sub>0</sub>	
L	↑	L	L	L	L	
L	↑	L	L	H	H	

**ELECTRICAL CHARACTERISTICS AND RECOMMENDED OPERATING CONDITIONS**

PARAMETER	MAX or MIN	TTL	LS	SN74 HC	CD74 HC	CD74 HCT	UNIT
I <sub>CC</sub>	MAX	72	24	0.08	0.16	0.16	mA
I <sub>OH</sub>	MAX	-5.2	-2.6	-6	-6	-6	mA
I <sub>OL</sub>	MAX	16	24	6	6	6	mA

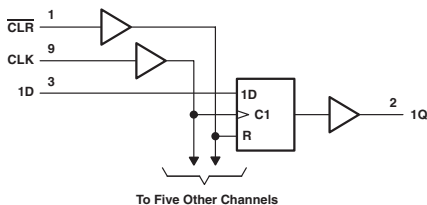
**TIMING REQUIREMENTS AND SWITCHING CHARACTERISTICS**

PARAMETER	INPUT	OUTPUT	MAX or MIN	TTL	LS	SN74 HC	CD74 HC	CD74 HCT
f <sub>max</sub>			MIN	25	25	25	20	13
t <sub>w</sub>			MIN	20	25	20	24	38
t <sub>su</sub>	DATA ENABLE		MIN	17	35	25	18	18
	DATA			10	17	25	18	27
	CLR INACTIVE			10	10	23	-	-
t <sub>h</sub>	DATA ENABLE		MIN	2	0	0	0	0
	DATA			10	3	0	3	0
t <sub>PHL</sub>	CLEAR	Q	MAX	27	35	38	53	66
t <sub>PLH</sub>	CLOCK (CD74: CP)	Q	MAX	43	25	38	60	60
t <sub>PHL</sub>				31	30	38	60	60
t <sub>PZH</sub>	ENABLE	Q	MAX	30	23	38	45	45
t <sub>PZL</sub>				30	27	38	45	45
t <sub>PHZ</sub>	DISABLE	Q	MAX	14	20	38	45	-
t <sub>PHZ</sub>				20	17	38	45	-

 UNIT f<sub>max</sub> : MHz, other : ns

## HEX D-TYPE FLIP-FLOPS WITH CLEAR

- Buffered Clock and Direct Clear Inputs
- Fully Buffered Outputs for Maximum Isolation from External Disturbances



FUNCTION TABLE (SN74)

INPUTS			OUTPUT
CLEAR	CLOCK	D	Q
L	X	X	L
H	↑	H	H
H	↑	L	L
L	L	X	Q <sub>0</sub>

## ELECTRICAL CHARACTERISTICS AND RECOMMENDED OPERATING CONDITIONS

PARAMETER	MAX or MIN	TTL	LS	S	ALS	AS	F	SN74 HC	CD74 HC	UNIT
I <sub>CC</sub>	MAX	65	26	144	19	45	55	0.08	0.16	mA
I <sub>OH</sub>	MAX	-0.8	-0.4	-1	-0.4	-2	-1	-4	-4	mA
I <sub>OL</sub>	MAX	16	8	20	8	20	20	4	4	mA

PARAMETER	MAX or MIN	CD74 HCT	CD74 AC	CD74 ACT	AHC	AHCT	LV 3V	LV 5V	UNIT
I <sub>CC</sub>	MAX	0.16	0.16	0.16	0.04	0.04	-	0.02	mA
I <sub>OH</sub>	MAX	-4	-24	-24	-8	-8	-6	-12	mA
I <sub>OL</sub>	MAX	4	24	24	8	8	6	12	mA

## TIMING REQUIREMENTS AND SWITCHING CHARACTERISTICS

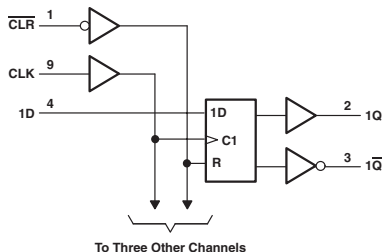
PARAMETER	INPUT	OUTPUT	MAX or MIN	TTL	LS	S	ALS	AS	F	SN74 HC	CD74 HC
f <sub>max</sub>			MIN	25	30	75	50	100	80	25	20
t <sub>w</sub>	CLR (MR) LOW		MIN	20	20	10	10	5	5	20	24
			MIN	20	20	7	10	4	4	20	24
			MIN	20	20	7	10	6	6	20	24
t <sub>su</sub>	DATA INPUT		MIN	20	20	5	10	4	4.5	25	18
			MIN	25	25	5	6	6	5	25	-
			MIN	5	5	3	0	1	1	0	5
t <sub>PH</sub>	CLR (MR)	ANY Q	MAX	25	-	-	18	-	-	40	45
t <sub>PHL</sub>	CLR (MR)	ANY Q	MAX	35	35	22	23	14	15	40	45
t <sub>PH</sub>	CLK (CP)	ANY Q	MAX	30	30	12	15	8	9	40	50
t <sub>PHL</sub>	CLK (CP)	ANY Q	MAX	35	30	17	17	10	11	40	50

PARAMETER	INPUT	OUTPUT	MAX or MIN	CD74 HCT	CD74 AC	CD74 ACT	AHC	AHCT	LV 3V	LV 5V
f <sub>max</sub>			MIN	17	95	80	80	65	50	80
t <sub>w</sub>	CLR (MR) LOW		MIN	38	4	4	5	5	5	5
			MIN	30	5.2	6.2	5	5	5	5
			MIN	30	5.2	6.2	5	5	5	5
t <sub>su</sub>	DATA INPUT		MIN	24	2	2	4.5	5	6	4.5
			MIN	-	-	-	2.5	3.5	3	2.5
			MIN	5	3	2.5	0.5	0	0	0.5
t <sub>PH</sub>	CLR (MR)	ANY Q	MAX	66	14.5	15.5	-	-	17	11
t <sub>PHL</sub>	CLR (MR)	ANY Q	MAX	66	14.5	15.5	11	13	17	11
t <sub>PH</sub>	CLK (CP)	ANY Q	MAX	60	13.5	14	10.5	10	16.5	10.5
t <sub>PHL</sub>	CLK (CP)	ANY Q	MAX	60	13.5	14	10.5	10	16.5	10.5

UNIT f<sub>max</sub> : MHz, other : ns

## QUADRUPLE D-TYPE FLIP-FLOPS WITH CLEAR

- Complementary Outputs ( $Q$ ,  $\bar{Q}$ )
- Buffered Clock and Direct Clear Inputs
- Asynchronous Clear Function



FUNCTION TABLE (SN74)

INPUTS			OUTPUTS	
CLR	CLOCK	D	Q	$\bar{Q}$
L	X	X	L	H
H	↑	H	H	L
H	↑	L	L	H
H	L	X	$Q_0$	$\bar{Q}_0$

## ELECTRICAL CHARACTERISTICS AND RECOMMENDED OPERATING CONDITIONS

PARAMETER	MAX or MIN	TTL	LS	S	ALS	AS	F	SN74 HC	CD74 HC	CD74 HCT	AC 11	CD74 AC	CD74 ACT	UNIT
$I_{CC}$	MAX	45	18	96	14	34	34	0.08	0.16	0.16	0.08	0.16	0.16	mA
$I_{OH}$	MAX	-0.8	-0.4	-1	-0.4	-2	-1	-4	-4	-4	-24	-24	-24	mA
$I_{OL}$	MAX	16	8	20	8	20	20	4	4	4	24	24	24	mA

PARAMETER	MAX or MIN	LV 3V	LV 5V	UNIT
$I_{CC}$	MAX	-	0.02	mA
$I_{OH}$	MAX	-6	-12	mA
$I_{OL}$	MAX	6	12	mA

## TIMING REQUIREMENTS AND SWITCHING CHARACTERISTICS

PARAMETER	INPUT	OUTPUT	MAX or MIN	TTL	LS	S	ALS	AS	F	SN74 HC	CD74 HC
$f_{max}$			MIN	25	30	75	50	100	100	25	20
$t_w$	$\overline{CLR}$ (MR) LOW	CLK (CP) HIGH	MIN	20	20	10	10	5	5	20	24
				20	20	7	10	4	4	20	24
				20	20	7	10	5	5	20	24
$t_{su}$	DATA INPUT	CLR (MR) INACTIVE	MIN	20	20	5	10	3	3	25	24
				25	25	5	6	6	5	25	-
$t_h$			MIN	5	5	3	0	1	1	0	5
$t_{PLH}$	$\overline{CLR}$ (MR)	ANY $Q$ or $\bar{Q}$	MAX	25	30	15	18	9	9	38	53
$t_{PHL}$	$\overline{CLR}$ (MR)	ANY $Q$ or $\bar{Q}$	MAX	35	30	22	23	13	13	38	53
$t_{PLH}$	CLK (CP)	ANY $Q$ or $\bar{Q}$	MAX	30	25	12	15	7.5	7.5	38	53
$t_{PHL}$	CLK (CP)	ANY $Q$ or $\bar{Q}$	MAX	35	25	17	17	10	9.5	38	53

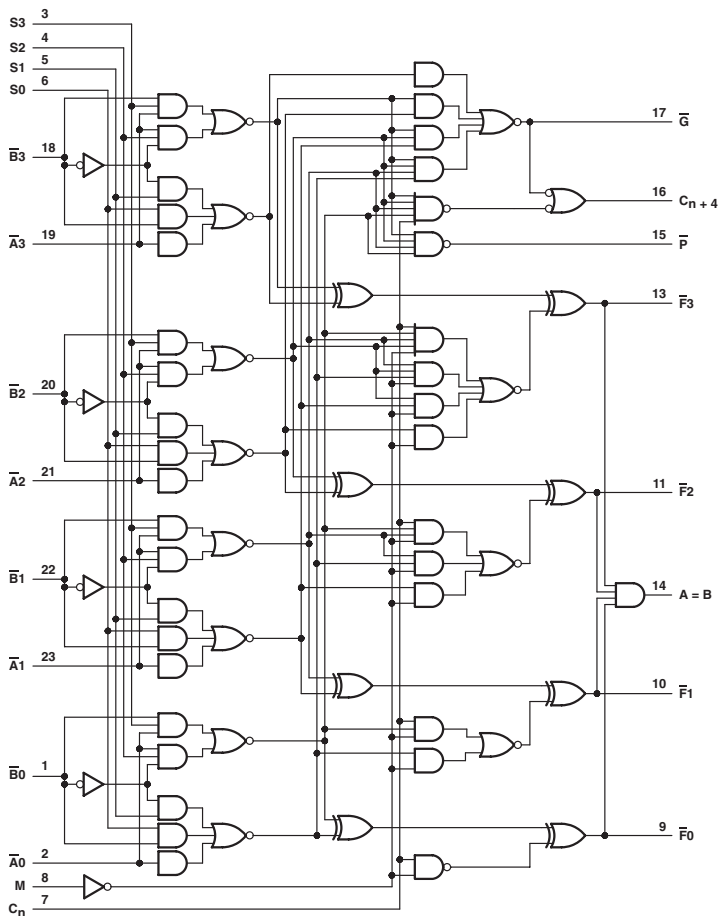
PARAMETER	INPUT	OUTPUT	MAX or MIN	CD74 HCT	AC 11	CD74 AC	CD74 ACT	LV 3V	LV 5V
$f_{max}$			MIN	16	125	100	114	45	75
$t_w$	$\overline{CLR}$ (MR) LOW	CLK (CP) HIGH	MIN	30	4	4	4	5	5
				30	4	5	5	5	5
				30	4	5	5	5	5
$t_{su}$	DATA INPUT	$\overline{CLR}$ (MR) INACTIVE	MIN	30	5.5	2	2	5	4
				-	5.5	-	-	5	5
$t_h$			MIN	5	0.5	2	2	1	1
$t_{PLH}$	$\overline{CLR}$ (MR)	ANY $Q$ or $\bar{Q}$	MAX	53	6.8	12.2	13	15.5	9.5
$t_{PHL}$	$\overline{CLR}$ (MR)	ANY $Q$ or $\bar{Q}$	MAX	53	9.3	12.2	13	15.5	9.5
$t_{PLH}$	CLK (CP)	ANY $Q$ or $\bar{Q}$	MAX	50	6.9	12.2	11.5	17	10.5
$t_{PHL}$	CLK (CP)	ANY $Q$ or $\bar{Q}$	MAX	50	9.3	12.2	11.5	17	10.5

UNIT  $f_{max}$  : MHz, other : ns

## ARITHMETIC LOGIC UNITS/FUNCTION GENERATORS

- Full Look-Ahead for High-Speed Operations on Long Words
- Input Clamping Diodes Minimize Transmission-Line Effects

Logic Diagram



FUNCTION TABLE (ACTIVE LOW)

SELECTION	ACTIVE-LOW DATA		
	M = H LOGIC FUNCTION	M = L: ARITHMETIC OPERATIONS	
		Cn = L (no carry)	Cn = H (with carry)
L L L L	$F = \overline{A}$	F = A MINUS 1	F = A
L L L H	$F = \overline{AB}$	F = AB MINUS 1	F = AB
L L H L	$F = \overline{A+B}$	F = AB MINUS 1	F = AB
L L H H	F = 1	F = MINUS 1(2's COMP)	F = 0
L H L L	$F = \overline{A+B}$	F = A PLUS (A + B)	F = A PLUS (A + B) PLUS 1
L H L H	$F = \overline{B}$	F = AB PLUS (A + B)	F = AB PLUS (A + B) PLUS 1
L H H L	$F = \overline{A \odot B}$	F = A MINUS B MINUS 1	F = A MINUS B
L H H H	$F = \overline{A+B}$	F = A + B	F = (A + B) PLUS 1
H L L L	$F = \overline{AB}$	F = A PLUS (A + B)	F = A PLUS (A + B) PLUS 1
H L L H	$F = \overline{A \odot B}$	F = A PLUS B	F = A PLUS B PLUS 1
H L H L	F = B	F = AB PLUS (A + B)	F = AB PLUS (A + B) PLUS 1
H L H H	F = A + B	F = (A + B)	F = (A + B) PLUS 1
H H L L	F = 0	F = A PLUS A*	F = A PLUS A PLUS 1
H H L H	$F = \overline{AB}$	F = AB PLUS A	F = AB PLUS A PLUS 1
H H H L	$F = \overline{AB}$	F = AB PLUS A	F = AB PLUS A PLUS 1
H H H H	F = A	F = A	F = A PLUS 1

\*Each bit is shifted to the next more significant position.

FUNCTION TABLE (ACTIVE HIGH)

SELECTION	ACTIVE-HIGH DATA		
	M = H LOGIC FUNCTION	M = L: ARITHMETIC OPERATIONS	
		Cn = H (no carry)	Cn = L (with carry)
L L L L	F = A	F = A	F = A PLUS 1
L L L H	$F = \overline{A+B}$	F = A + B	F = (A + B) PLUS 1
L L H L	$F = \overline{A+B}$	F = A + B	F = (A + B) PLUS 1
L L H H	F = 0	F = MINUS 1(2's COMPL)	F = 0
L H L L	$F = \overline{AB}$	F = A PLUS AB	F = A PLUS AB PLUS 1
L H L H	$F = \overline{B}$	F = (A + B) PLUS AB	F = (A + B) PLUS AB PLUS 1
L H H L	$F = \overline{A \odot B}$	F = A MINUS B MINUS 1	F = A MINUS B
L H H H	$F = \overline{AB}$	F = AB MINUS 1	F = AB
H L L L	$F = \overline{A+B}$	F = A PLUS AB	F = A PLUS AB PLUS 1
H L L H	$F = \overline{A \odot B}$	F = A PLUS B	F = A PLUS B PLUS 1
H L H L	F = B	F = (A + B) PLUS AB	F = (A + B) PLUS AB PLUS 1
H L H H	F = AB	F = AB MINUS 1	F = AB
H H L L	F = 1	F = A PLUS A*	F = A PLUS A PLUS 1
H H L H	$F = \overline{AB}$	F = (A + B) PLUS A	F = (A + B) PLUS A PLUS 1
H H H L	$F = \overline{AB}$	F = (A + B) PLUS A	F = (A + B) PLUS A PLUS 1
H H H H	F = A	F = A MINUS 1	F = A

\*Each bit is shifted to the next more significant position.

## ELECTRICAL CHARACTERISTICS AND RECOMMENDED OPERATING CONDITIONS

PARAMETER		MAX or MIN	TTL	LS	S	AS	UNIT
I <sub>CC</sub>		MAX	150	37	220	200	mA
I <sub>OH</sub>	All outputs except $\overline{A}, \overline{B}$	MAX	-0.8	-0.4	-1	-2	mA
			-	-	-	-3	mA
I <sub>OL</sub>	All outputs except $\overline{G}$	MAX	16	8	20	20	mA
			16	8	20	48	mA

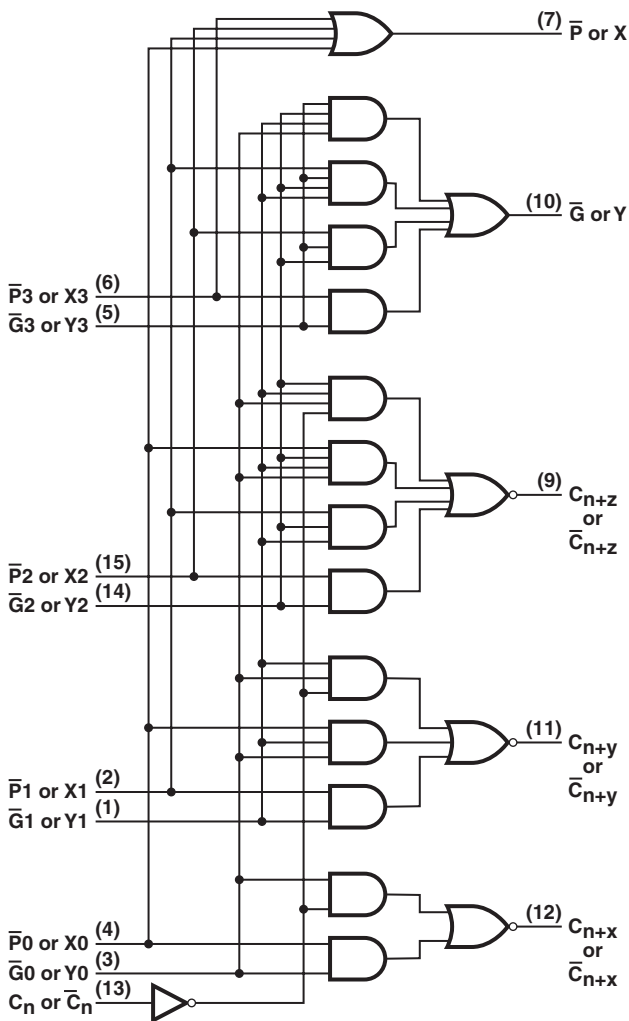
## SWITCHING CHARACTERISTICS

PARAMETER	INPUT	OUTPUT	MAX or MIN	TTL	LS	S	AS
t <sub>PLH</sub>	C <sub>n</sub>	C <sub>n</sub> + 4	MAX	18	27	10.5	9
				19	20	10.5	9
t <sub>PLH</sub>	$\overline{A}, \overline{B}$	C <sub>n</sub> + 4	MAX	43	38	18.5	12
				41	38	18.5	12
t <sub>PHL</sub>	C <sub>n</sub>	$\overline{F}$	MAX	19	26	12	9
				18	20	12	9
t <sub>PLH</sub>	$\overline{A}_i, \overline{B}_i$	$\overline{F}_i$	MAX	42	32	16.5	9.5
				32	20	16.5	8

UNIT: ns

## LOOK-AHEAD CARRY GENERATOR

Logic Diagram



## FUNCTION TABLE

### $\bar{G}$ OUTPUTS

INPUTS						OUTPUT	
$\bar{G}_3$	$\bar{G}_2$	$\bar{G}_1$	$\bar{P}_3$	$\bar{P}_2$	$\bar{P}_1$	$\bar{P}_0$	$\bar{G}$
L	X	X	X	X	X	X	L
X	L	X	X	L	X	X	L
X	X	L	X	L	L	X	L
X	X	X	L	L	L	L	L
All other combinations							H

### $\bar{P}$ OUTPUTS

INPUTS				OUTPUT
$\bar{P}_3$	$\bar{P}_2$	$\bar{P}_1$	$\bar{P}_0$	$\bar{P}$
L	L	L	L	L
All other combinations				H

### $C_{n+x}$ OUTPUTS

INPUTS			OUTPUT
$\bar{G}_0$	$\bar{P}_0$	$C_n$	$C_{n+x}$
L	X	X	H
X	L	H	H
All other combinations			L

### $C_{n+y}$ OUTPUTS

INPUTS					OUTPUT
$\bar{G}_1$	$\bar{G}_0$	$\bar{P}_1$	$\bar{P}_0$	$C_n$	$C_{n+y}$
L	X	X	X	X	H
X	L	L	X	X	H
X	X	L	L	H	H
All other combinations					L

### $C_{n+z}$ OUTPUTS

INPUTS						OUTPUT	
$\bar{G}_2$	$\bar{G}_1$	$\bar{G}_0$	$\bar{P}_2$	$\bar{P}_1$	$\bar{P}_0$	$C_n$	$C_{n+z}$
L	X	X	X	X	X	X	H
X	L	X	L	X	X	X	H
X	X	L	L	L	X	X	H
X	X	X	L	L	L	H	H
All other combinations							L

## ELECTRICAL CHARACTERISTICS AND RECOMMENDED OPERATING CONDITIONS

PARAMETER	MAX or MIN	TTL	S	AS	UNIT
$I_{CC}$	MAX	72	109	36	mA
$I_{OH}$	MAX	-0.8	-1	-2	mA
$I_{OL}$	MAX	16	20	20	mA

## SWITCHING CHARACTERISTICS

PARAMETER	INPUT	OUTPUT	MAX or MIN	TTL	S	AS
$t_{PLH}$	$C_n$	$C_n + X, C_n + Y$ or $C_n + Z$	MAX	10	10	10
$t_{PHL}$				10.5	10.5	9.5
$t_{PLH}$	$P$ or $\bar{G}$	$C_n + X, C_n + Y$ or $C_n + Z$	MAX	7	7	10.5
$t_{PHL}$				7	7	6
$t_{PLH}$	$P$ or $\bar{G}$	$\bar{G}$	MAX	7.5	7.5	12
$t_{PHL}$				10.5	10.5	8
$t_{PLH}$	$\bar{P}$	$\bar{P}$	MAX	6.5	6.5	7.5
$t_{PHL}$				10	10	6

UNIT: ns





FUNCTION TABLE

INPUTS				FUNCTION
LOAD	CTEN	D/ $\bar{U}$	CLK	
H	L	L	$\overline{\text{L}}$	Count up
H	L	H	$\overline{\text{L}}$	Count down
L	X	X	X	Asynchronous preset
H	H	X	X	No change

D/ $\bar{U}$  or CTEN should be changed only when clock is high.

X = Don't care

$\overline{\text{L}}$  Low-to-high clock transition

ELECTRICAL CHARACTERISTICS AND RECOMMENDED OPERATING CONDITIONS

PARAMETER	MAX or MIN	TTL	LS	ALS	SN74 HC	CD74 HC	UNIT
I <sub>CC</sub>	MAX	105	35	22	0.08	0.16	mA
I <sub>OH</sub>	MAX	-0.8	-0.4	-0.4	-4	-4	mA
I <sub>OL</sub>	MAX	16	8	8	4	4	mA

TIMING REQUIREMENTS AND SWITCHING CHARACTERISTICS

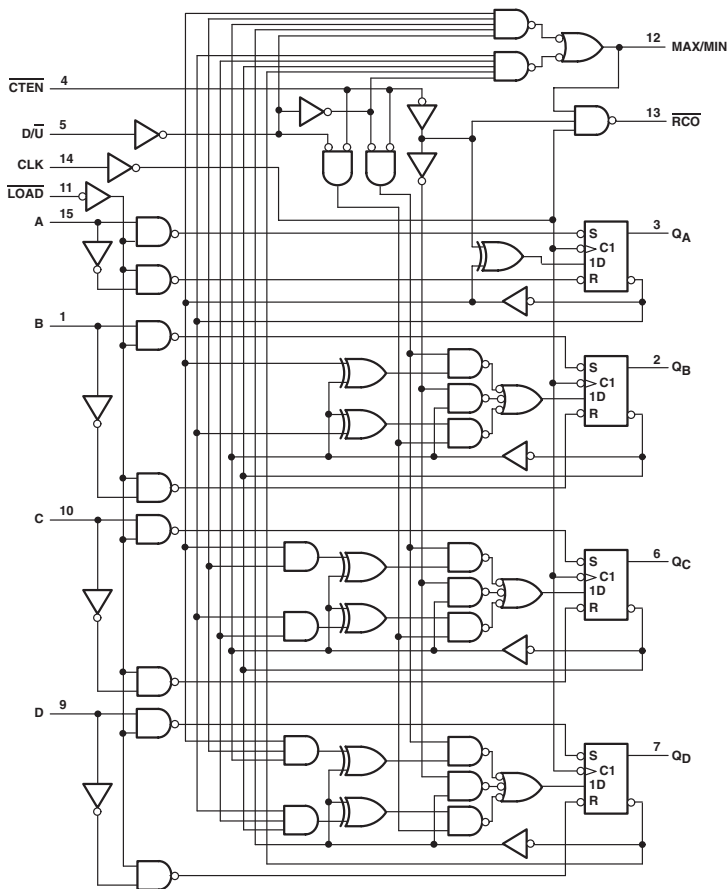
PARAMETER	INPUT	OUTPUT	MAX or MIN	TTL	LS	ALS	SN74 HC	CD74 HC
f <sub>max</sub>			MIN	20	20	25	17	20
t <sub>w</sub>	CLK		MIN	25	25	20	30	30
	LOAD			35	35	20	30	24
t <sub>su</sub>	Data, high or low		MIN	20	20	20	38	18
t <sub>h</sub>	Data hold time		MIN	0	5	5	5	2
t <sub>PLH</sub>	$\overline{\text{LOAD}}$	Q	MAX	33	33	30	66	59
				50	50	30	66	59
t <sub>PHL</sub>	DATA	Q	MAX	22	32	21	60	53
				50	40	21	60	53
t <sub>PLH</sub>	CLK	$\overline{\text{RCO}}$	MAX	20	20	20	30	38
				24	24	20	30	38
t <sub>PHL</sub>	CLK	Q	MAX	24	24	18	48	51
				36	36	18	48	51
t <sub>PLH</sub>	CLK	MAX/MIN	MAX	42	42	31	63	63
				52	52	31	63	63
t <sub>PHL</sub>	D/ $\bar{U}$	$\overline{\text{RCO}}$	MAX	45	45	37	57	45
				45	45	28	57	45
t <sub>PLH</sub>	D/ $\bar{U}$	MAX/ MIN	MAX	33	33	25	48	50
				33	33	25	48	50

UNIT f<sub>max</sub> : MHz other : ns

## 4-BIT SYNCHRONOUS UP/DOWN BINARY COUNTERS

- Count Enable Control Input
- Ripple Clock Output for Cascading
- Asynchronously Presentable with Load Control

Logic Diagram (SN74HC)



## ELECTRICAL CHARACTERISTICS AND RECOMMENDED OPERATING CONDITIONS

PARAMETER	MAX or MIN	TTL	LS	ALS	SN74 HC	CD74 HC	CD74 HCT	UNIT
I <sub>CC</sub>	MAX	105	35	22	0.08	0.16	0.16	mA
I <sub>OH</sub>	MAX	-0.8	-0.4	-0.4	-4	-4	-4	mA
I <sub>OL</sub>	MAX	16	8	8	4	4	4	mA

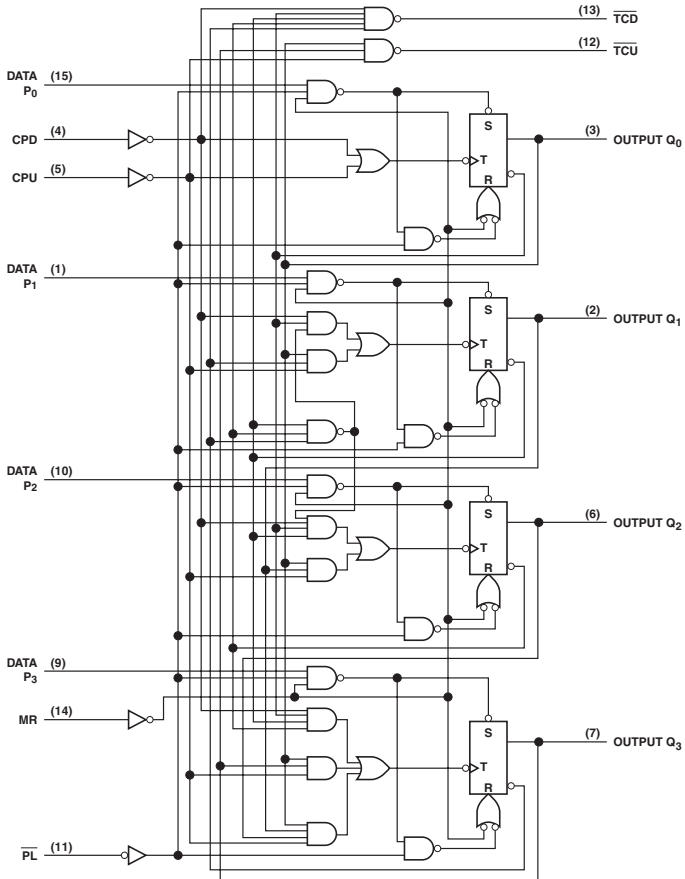
## TIMING REQUIREMENTS AND SWITCHING CHARACTERISTICS

PARAMETER	INPUT	OUTPUT	MAX or MIN	TTL	LS	ALS	SN74 HC	CD74 HC	CD74 HCT
f <sub>max</sub>			MIN	20	20	30	17	20	20
t <sub>w</sub>	CLK		MIN	25	25	16.5	30	30	30
	LOAD low			35	35	20	30	24	24
t <sub>su</sub>	DATA		MIN	20	20	20	38	18	18
t <sub>h</sub>	DATA		MIN	0	5	5	5	2	2
t <sub>PLH</sub>	LOAD	QA, QB QC, QD	MAX	33	33	30	66	59	60
t <sub>PHL</sub>				50	50	30	66	59	60
t <sub>PLH</sub>	DATA A, B, C, D	QA, QB QC, QD	MAX	22	32	21	60	53	57
t <sub>PHL</sub>				50	40	21	60	53	57
t <sub>PLH</sub>	CLK	RIPPLE CLK	MAX	20	20	20	30	38	53
t <sub>PHL</sub>				24	24	20	30	38	53
t <sub>PLH</sub>	CLK	QA, QB QC, QD	MAX	24	24	18	48	51	41
t <sub>PHL</sub>				36	36	18	48	51	41
t <sub>PLH</sub>	CLK	MAX or MIN	MAX	42	42	31	63	63	63
t <sub>PHL</sub>				52	52	31	63	63	63
t <sub>PLH</sub>	D $\bar{U}$	RIPPLE CLK	MAX	45	45	37	57	45	45
t <sub>PHL</sub>				45	45	28	57	45	45
t <sub>PLH</sub>	D $\bar{U}$	MAX or MIN	MAX	33	33	25	48	50	57
t <sub>PHL</sub>				33	33	25	48	50	57

UNIT f<sub>max</sub> : MHz, other : ns

## PRESETTABLE SYNCHRONOUS 4-BIT UP/DOWN COUNTERS

Logic Diagram



### TRUE TABLE

CLOCK UP	CLOCK DOWN	RESET	PARALLEL LOAD	FANCTION
↑	H	L	H	Count Up
H	↑	L	H	Count Down
X	X	H	X	Reset
X	X	L	L	Load Preset inputs

NOTE: H = High Voltage Level, L = Low Voltage Level, X = Don't Care, ↑ = Transition from Low to High Level

### ELECTRICAL CHARACTERISTICS AND RECOMMENDED OPERATING CONDITIONS

PARAMETER	MAX or MIN	CD74 HC	UNIT
I <sub>CC</sub>	MAX	0.16	mA
I <sub>OH</sub>	MAX	-4	mA
I <sub>OL</sub>	MAX	4	mA

### TIMING REQUIREMENTS AND SWITCHING CHARACTERISTICS

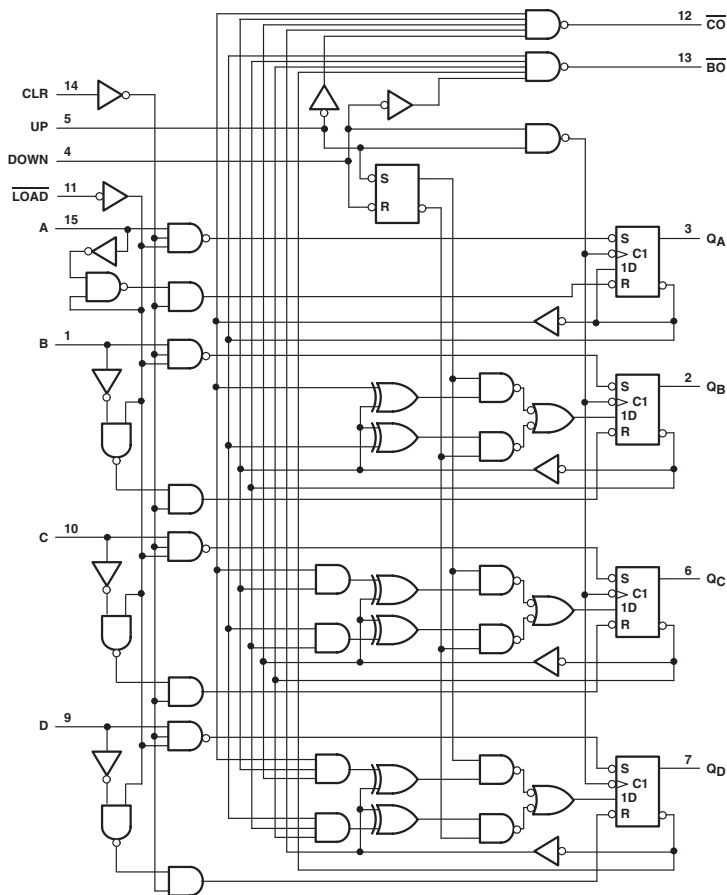
PARAMETER	INPUT	OUTPUT	MAX or MIN	CD74 HC
t <sub>w</sub>	CPU, CPD		MIN	35
	PL			24
	MR			30
t <sub>su</sub>	P <sub>n</sub> to PL		MIN	24
t <sub>h</sub>	P <sub>n</sub> to PL		MIN	0
	CPD to CPU, CPD to CPU			24
	t <sub>PLH</sub>	CPU		TCU
t <sub>PHL</sub>			38	
t <sub>PLH</sub>	CPD	TCD	MAX	38
				t <sub>PHL</sub>
t <sub>PLH</sub>	CPU	Q <sub>n</sub>	MAX	65
				t <sub>PHL</sub>
t <sub>PLH</sub>	CPD	Q <sub>n</sub>	MAX	65
				t <sub>PHL</sub>
t <sub>PLH</sub>	PL	Q <sub>n</sub>	MAX	66
				t <sub>PHL</sub>
t <sub>PHL</sub>	MR	Q <sub>n</sub>	MAX	60

UNIT:ns

## 4-BIT SYNCHRONOUS UP/DOWN COUNTERS (DUAL CLOCK WITH CLEAR)

- Parallel Asynchronous Load for Modulo-N Count Lengths
- Asynchronous Clear

Logic Diagram (SN74)



## ELECTRICAL CHARACTERISTICS AND RECOMMENDED OPERATING CONDITIONS

PARAMETER	MAX or MIN	TTL	LS	ALS	F	SN74 HC	CD74 HC	CD74 HCT	UNIT
I <sub>CC</sub>	MAX	102	34	22	54	0.08	0.16	0.16	mA
I <sub>OH</sub>	MAX	-0.4	-0.4	-0.4	-1	-4	-4	-4	mA
I <sub>OL</sub>	MAX	16	8	8	20	4	4	4	mA

## TIMING REQUIREMENTS AND SWITCHING CHARACTERISTICS

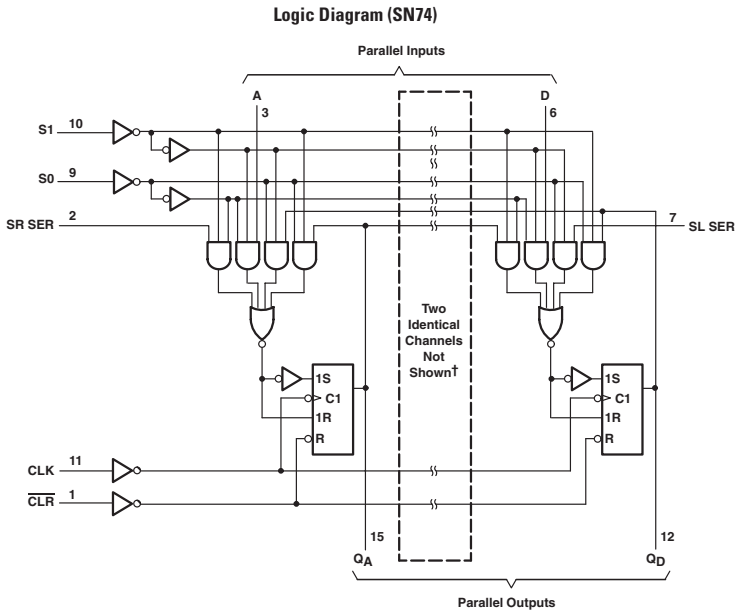
PARAMETER		INPUT	OUTPUT	MAX or MIN	TTL	LS	ALS	F	SN74 HC	CD74 HC	CD74 HCT
f <sub>max</sub>				MIN	25	25	30	85	17	17	15
t <sub>w</sub>				MIN	20	20	20	4	30	30	35
t <sub>su</sub>	DATA			MIN	20	20	20	3.5	28	22	22
t <sub>h</sub>	DATA			MIN	0	5	5	2.5	5	0	0
t <sub>PLH</sub>	UP (CD74: CPU)	$\overline{CO}$	MAX		26	26	16	9	41	38	41
t <sub>PHL</sub>					24	24	18	9	41	38	41
t <sub>PLH</sub>	DOWN (CD74: CPD)	$\overline{BO}$	MAX		24	24	16	9	41	38	41
t <sub>PHL</sub>					24	24	18	9	41	38	41
t <sub>PLH</sub>	UP or DOWN (CD74: CPU or CPD)	ANY Q	MAX		38	38	19	9	63	65	60
t <sub>PHL</sub>					47	47	17	13	63	65	60
t <sub>PLH</sub>	LOAD (CD74: PL)	ANY Q	MAX		40	40	30	11	65	66	69
t <sub>PHL</sub>					40	40	28	13	65	66	69
t <sub>PHL</sub>	CLR (CD74: MR)	ANY Q	MAX		35	35	17	12	60	60	65

UNIT f<sub>max</sub> : MHz, other : ns



## 4-BIT BIDIRECTIONAL UNIVERSAL SHIFT REGISTERS

- Direct Overriding Clear
- Parallel-to-Serial, Serial-to-Parallel Conversions
- Left or Right Shifts



† I/O ports not shown:  $Q_B$  (14) and  $Q_C$  (13)

FUNCTION TABLE (SN74)

INPUTS								OUTPUTS					
CLEAR	MODE		CLOCK	SERIAL		PARALLEL				Q <sub>A</sub>	Q <sub>B</sub>	Q <sub>C</sub>	Q <sub>D</sub>
	S1	S0		LEFT	RIGHT	A	B	C	D				
L	X	X	X	X	X	X	X	X	X	L	L	L	L
H	X	X	L	X	X	X	X	X	X	Q <sub>A0</sub>	Q <sub>B0</sub>	Q <sub>C0</sub>	Q <sub>D0</sub>
H	H	H	↑	X	X	a	b	c	d	a	b	c	d
H	L	H	↑	X	H	X	X	X	X	H	Q <sub>An</sub>	Q <sub>Bn</sub>	Q <sub>Cn</sub>
H	H	L	↑	X	L	X	X	X	X	L	Q <sub>An</sub>	Q <sub>Bn</sub>	Q <sub>Cn</sub>
H	H	L	↑	H	X	X	X	X	X	Q <sub>Bn</sub>	Q <sub>Cn</sub>	Q <sub>Dn</sub>	H
H	H	L	↑	L	X	X	X	X	X	Q <sub>Bn</sub>	Q <sub>Cn</sub>	Q <sub>Dn</sub>	L
H	L	L	X	X	X	X	X	X	X	Q <sub>A0</sub>	Q <sub>B0</sub>	Q <sub>C0</sub>	Q <sub>D0</sub>

ELECTRICAL CHARACTERISTICS AND RECOMMENDED OPERATING CONDITIONS

PARAMETER	MAX or MIN	TTL	LS	S	AS	SN74 HC	CD74 HC	CD74 HCT	UNIT
I <sub>CC</sub>	MAX	63	23	135	53	0.1	0.16	0.16	mA
I <sub>OH</sub>	MAX	-0.8	-0.4	-1	-2	-4	-4	-4	mA
I <sub>OL</sub>	MAX	16	8	20	20	4	4	4	mA

TIMING REQUIREMENTS AND SWITCHING CHARACTERISTICS

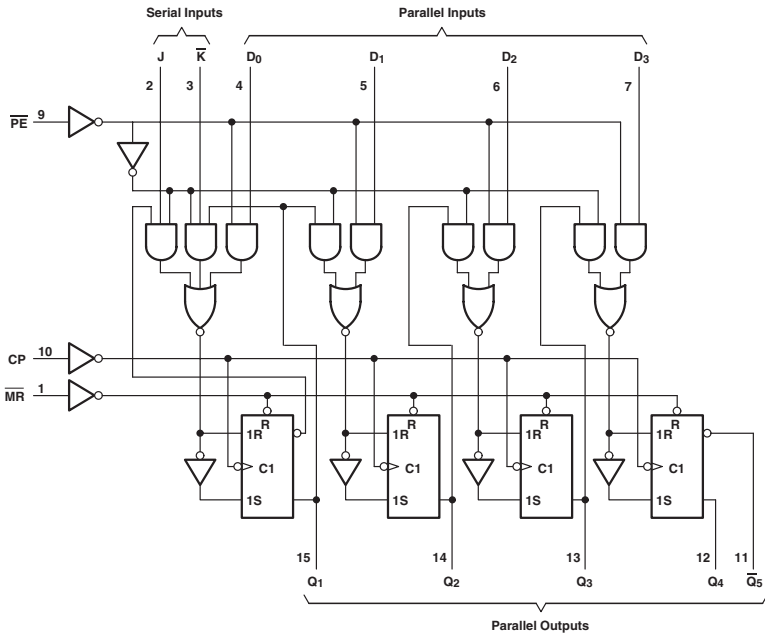
PARAMETER	INPUT	OUTPUT	MAX or MIN	TTL	LS	S	AS	SN74 HC	CD74 HC	CD74 HCT
f <sub>max</sub>			MIN	25	25	70	80	25	20	18
t <sub>w</sub>	CLR (MR)		MIN	20	20	12	4.5	20	24	24
		CLK (CP) "H"	MIN	20	20	7	4	20	24	24
		CLK (CP) "L"	MIN	20	20	7	7	20	24	24
t <sub>su</sub>	Mode Control		MIN	30	30	11	9.5	25	24	30
		DATA	MIN	20	20	5	4	25	21	21
		CLR (MR) INACTIVE	MIN	25	25	9	6	-	-	-
t <sub>h</sub>			MIN	0	0	3	0.5	0	0	0
t <sub>PHL</sub>	CLR (MR)	ANY	MAX	30	30	18.5	12	38	42	60
t <sub>PLH</sub>	CLOCK (CP)	ANY	MAX	22	22	12	7	36	53	56
				26	26	16.5	7	36	53	56

UNIT f<sub>max</sub> : MHz, other : ns

## 4-BIT PARALLEL-ACCESS SHIFT REGISTERS

- Direct Overriding Clear
- Parallel-to-Serial, Serial-to-Parallel Conversions

Logic Diagram



### TRUTH TABLE

OPERATING MODES	INPUTS						OUTPUT				
	$\overline{MR}$	CP	$\overline{PE}$	J	$\overline{K}$	Dn	Q <sub>0</sub>	Q <sub>1</sub>	Q <sub>2</sub>	Q <sub>3</sub>	$\overline{Q}_3$
Asynchronous Reset	L	X	X	X	X	X	L	L	L	L	H
Shift, Set First Stage	H	↑	h	h	h	X	H	q <sub>0</sub>	q <sub>1</sub>	q <sub>2</sub>	$\overline{q}_2$
Shift, Reset First Stage	H	↑	h	l	l	X	L	q <sub>0</sub>	q <sub>1</sub>	q <sub>2</sub>	$\overline{q}_2$
Shift, Toggle First Stage	H	↑	h	h	l	X	q <sub>0</sub>	q <sub>0</sub>	q <sub>1</sub>	q <sub>2</sub>	$\overline{q}_2$
Shift, Retain First Stage	H	↑	h	l	h	X	q <sub>0</sub>	q <sub>0</sub>	q <sub>1</sub>	q <sub>2</sub>	$\overline{q}_2$
Parallel Load	H	↑	l	X	X	dn	d <sub>0</sub>	d <sub>1</sub>	d <sub>2</sub>	d <sub>3</sub>	$\overline{d}_2$

H = High Voltage Level

L = Low Voltage Level,

X = Don't Care

↑ = Transition from Low to High Level

l = Low Voltage Level One Set-up Time Prior to the Low to High Clock Transition

h = Low Voltage Level One Set-up Time prior to the High to Low Clock Transition,

dn (q<sub>n</sub>) = Lower Case Letters Indicate the State of the Referenced Input (or output) One Set-up Time Prior to the Low to High Clock Transition.

### ELECTRICAL CHARACTERISTICS AND RECOMMENDED OPERATING CONDITIONS

PARAMETER	MAX or MIN	TTL	LS	S	AS	SN74 HC	CD74 HC	UNIT
I <sub>cc</sub>	MAX	63	21	109	57	0.1	0.16	mA
I <sub>OH</sub>	MAX	-0.8	-0.4	-1	-2	-4	-4	mA
I <sub>OL</sub>	MAX	16	8	20	20	4	4	mA

### TIMING REQUIREMENTS AND SWITCHING CHARACTERISTICS

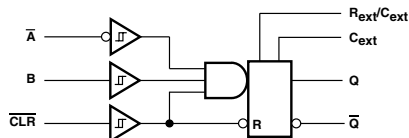
PARAMETER		INPUT	OUTPUT	MAX or MIN	TTL	LS	S	AS	SN74 HC	CD74 HC	
f <sub>max</sub>				MIN	30	30	70	70	25	20	
t <sub>w</sub>	Clock	$\overline{MR}$		MIN	16	16	7	4	20	24	
					12	12	12	7.2	20	24	
t <sub>su</sub>		$\overline{PE}$		MIN	25	25	11	8	25	30	
					Serial & Parallel Data	20	15	5	3.5	25	-
					Clear Inactive Data	25	25	9	6	25	-
					TRELEASE	MAX	10	20	6	-	-
t <sub>h</sub>				MIN	0	0	3	1	0	3	
t <sub>PHL</sub>		$\overline{MR}$	QA, QD	MAX	30	30	18.5	11.5	38	45	
t <sub>PLH</sub>	Clock	MAX		22	22	12	8.5	36	53		
t <sub>PHL</sub>		MAX		26	26	16.5	10.5	36	53		

UNIT f<sub>max</sub> : MHz, other : ns

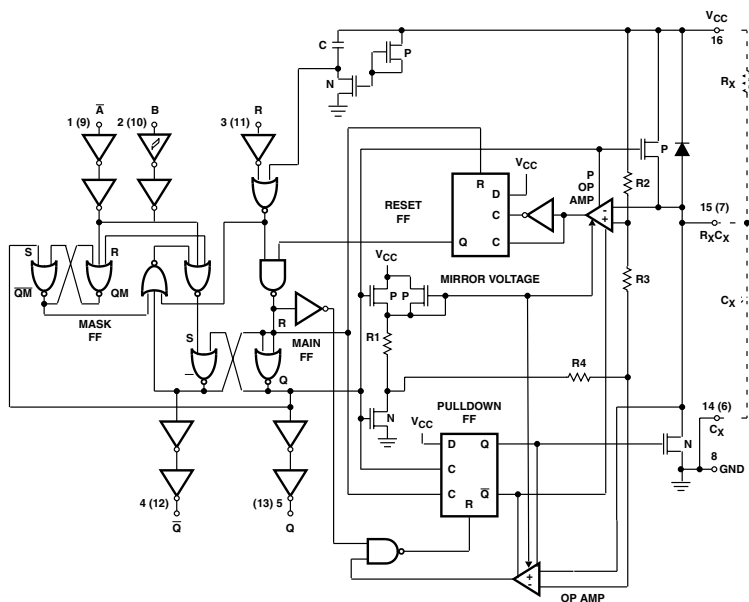
## DUAL MONOSTABLE MULTIVIBRATORS WITH SCHMITT-TRIGGER INPUTS

- Overriding Clear Terminates Outputs Pulse

Logic Diagram (SN74LV)



Logic Diagram (CD74HC/HCT)



**FUNCTION TABLE**  
(each monostable multivibrator)

INPUTS			OUTPUTS	
CLR	A	B	Q	$\bar{Q}$
L	X	X	L	H
X	H	X	L	H
X	X	L	L	H
H	L	↑	$\uparrow$	$\downarrow$
H	↓	H	$\downarrow$	$\uparrow$
↑ <sup>†</sup>	L	H	$\downarrow$	$\uparrow$

<sup>†</sup> Pulsed-output patterns are tested during AC switching at 25°C with  $R_{ext} = 2\text{ k}\Omega$  and  $C_{ext} = 80\text{ pF}$ .

<sup>‡</sup> This condition is true only if the output of the latch formed by the two NAND gates has been conditioned to the logic 1 state prior to CLR going high. This latch is conditioned by taking either A high or B low while CLR is inactive (high).

**ELECTRICAL CHARACTERISTICS AND RECOMMENDED OPERATING CONDITIONS**

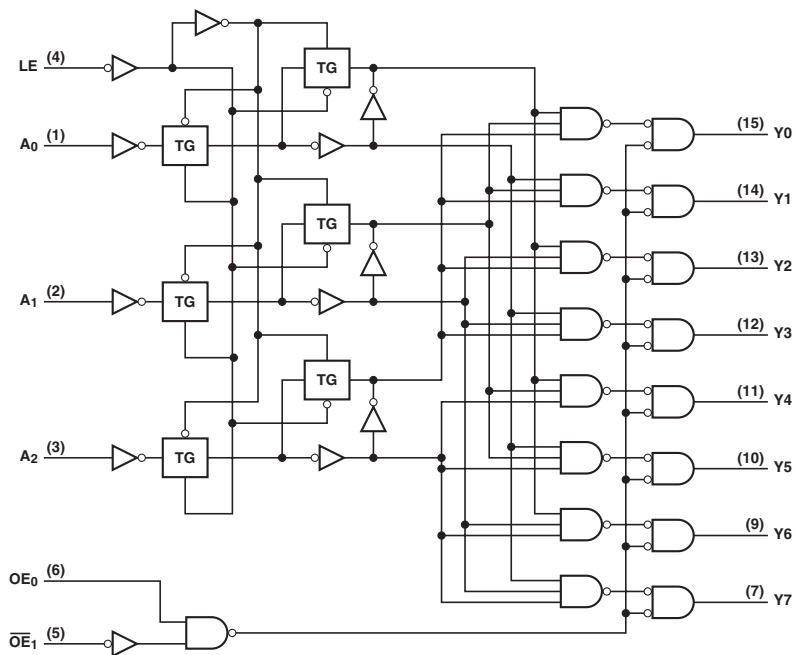
PARAMETER	MAX or MIN	TTL	LS	CD74 HC	CD74 HCT	LV 3V	LV 5V	UNIT
$I_{CC}$	MAX	80	27	0.16	0.16	0.28	0.65	mA
$I_{OH}$	MAX	-0.8	-0.4	-4	-4	-6	-12	mA
$I_{OL}$	MAX	16	8	4	4	6	12	mA

**SWITCHING CHARACTERISTICS**

PARAMETER	INPUT	OUTPUT	MAX or MIN	TTL	LS	CD74 HC	CD74 HCT	LV 3V	LV 5V
$t_{PLH}$	A (HC, LV: $\bar{A}$ )	Q	MAX	70	70	63	63	27.5	16
	B			55	55	63	63	27.5	16
$t_{PHL}$	A (HC, LV: $\bar{A}$ )	$\bar{Q}$	MAX	80	80	51	51	27.5	16
	B			65	65	51	51	27.5	16
$t_{PHL}$	Clear	Q	MAX	27	55	48	57	22	13
		$\bar{Q}$		40	65	54	56	22	13

UNIT: ns

Logic Diagram



## FUNCTION TABLE

INPUTS					OUTPUTS								
LE	OEO	OE1	A2	A1	A0	Y0	Y1	Y2	Y3	Y4	Y5	Y6	Y7
X	X	H	X	X	X	L	L	L	L	L	L	L	L
X	L	X	X	X	X	L	L	L	L	L	L	L	L
L	H	L	L	L	L	H	L	L	L	L	L	L	L
L	H	L	L	L	H	L	H	L	L	L	L	L	L
L	H	L	L	H	L	L	L	H	L	L	L	L	L
L	H	L	L	H	H	L	L	L	H	L	L	L	L
L	H	L	H	L	L	L	L	L	L	H	L	L	L
L	H	L	H	L	H	L	L	L	L	L	H	L	L
L	H	L	H	H	H	L	L	L	L	L	L	L	H
H	H	L	X	X	X	Depends upon the address previously applied while LE was at a logic low.							

### ELECTRICAL CHARACTERISTICS AND RECOMMENDED OPERATING CONDITIONS

PARAMETER	MAX or MIN	SN74 HC	CD74 HC	CD74 HCT	UNIT
I <sub>CC</sub>	MAX	0.08	0.16	0.16	mA
I <sub>OH</sub>	MAX	-4	-4	-4	mA
I <sub>OL</sub>	MAX	4	4	4	mA

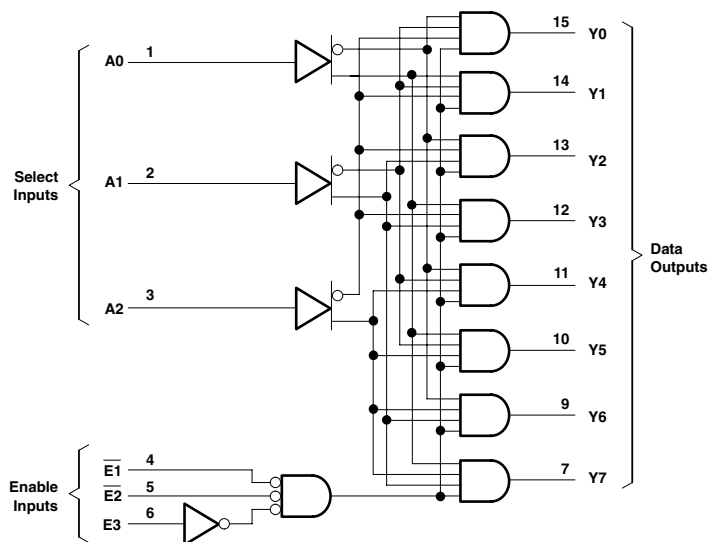
### TIMING REQUIREMENTS AND SWITCHING CHARACTERISTICS

PARAMETER	INPUT	OUTPUT	MAX or MIN	SN74 HC	CD74 HC	CD74 HCT
t <sub>w</sub>	LE Pulse Width		MIN	20	15	15
t <sub>su</sub>	An to LE		MIN	19	15	15
t <sub>h</sub>	An to LE		MIN	5	9	5
t <sub>PLH</sub>	An	Y	MAX	48	48	57
t <sub>PHL</sub>				48	48	57
t <sub>PLH</sub>	OE <sub>0</sub>	Y	MAX	44	44	60
t <sub>PHL</sub>				44	44	60
t <sub>PLH</sub>	OE <sub>1</sub>	Y	MAX	44	44	53
t <sub>PHL</sub>				44	44	53

UNIT:ns



Logic Diagram (CD74AC/ACT)



## FUNCTION TABLE

INPUTS						OUTPUTS							
ENABLE			ADDRESS			Y0	Y1	Y2	Y3	Y4	Y5	Y6	Y7
E3	E2	E1	A2	A1	A0								
X	X	H	X	X	X	L	L	L	L	L	L	L	L
L	X	X	X	X	X	L	L	L	L	L	L	L	L
X	H	X	X	X	X	L	L	L	L	L	L	L	L
H	L	L	L	L	L	H	L	L	L	L	L	L	L
H	L	L	L	L	H	L	H	L	L	L	L	L	L
H	L	L	L	H	L	L	L	H	L	L	L	L	L
H	L	L	L	H	H	L	L	L	H	L	L	L	L
H	L	L	H	L	L	L	L	L	L	H	L	L	L
H	L	L	H	L	H	L	L	L	L	L	H	L	L
H	L	L	H	H	L	L	L	L	L	L	L	H	L
H	L	L	H	H	H	L	L	L	L	L	L	L	H

Note: H = High Voltage Level, L = Low Voltage Level, X = Don't Care

### ELECTRICAL CHARACTERISTICS AND RECOMMENDED OPERATING CONDITIONS

PARAMETER	MAX or MIN	CD74 HC	CD74 HCT	CD74 AC	CD74 ACT	UNIT
I <sub>CC</sub>	MAX	0.16	0.16	0.16	0.16	mA
I <sub>OH</sub>	MAX	-4	-4	-24	-24	mA
I <sub>OL</sub>	MAX	4	4	24	24	mA

### SWITCHING CHARACTERISTICS

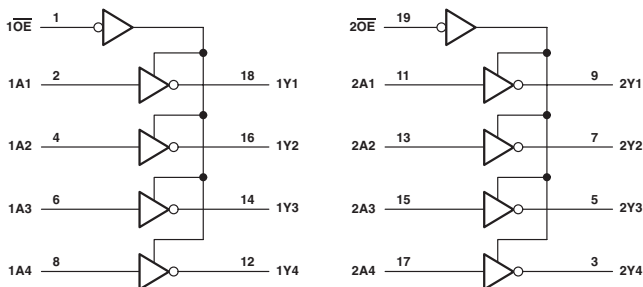
PARAMETER	INPUT	OUTPUT	MAX or MIN	CD74 HC	CD74 HCT	CD74 AC	CD74 ACT
t <sub>PLH</sub>	Address	Y	MAX	45	53	15	15.6
				45	53	15	15.6
t <sub>PHL</sub>	E1, E2 (G2A, G2B)	Y	MAX	60	60	11.9	14.2
				60	60	11.9	14.2
t <sub>PLH</sub>	E3 (G1)	Y	MAX	60	60	16.6	13.6
				60	60	16.6	13.6

UNIT:ns

## OCTAL BUFFERS/DRIVERS WITH 3-STATE OUTPUTS

- 3-State Outputs Drive Bus Lines or Buffer Memory Address Registers
- PNP Inputs Reduce DC Loading
- 74AC11xxx: Product Available in Reduced-Noise Advanced CMOS (11000 Series)
- 74ACT11xxx: Product Available in Reduced-Noise Advanced CMOS (11000 Series)
- CD74AC/ACT240  $T_A$ : -40 to 85°C

Logic Diagram (SN74)

FUNCTION TABLE  
(each 4-bit buffer)

INPUTS		OUTPUT
OE	A	Y
L	H	L
L	L	H
H	X	Z

ELECTRICAL CHARACTERISTICS AND RECOMMENDED OPERATING CONDITIONS

PARAMETER	MAX or MIN	LS	S	ALS	ALS A-1	AS	F	SN74 HC	CD74 HC	SN74 HCT	CD74 HCT	SN74 BCT	ABT	UNIT
$I_{CCH}$	MAX	27	135	11	11	17	29	0.08	0.16	0.08	0.16	31	0.25	mA
$I_{CCL}$	MAX	44	150	23	23	75	75	0.08	0.16	0.08	0.16	71	30	mA
$I_{CCZ}$	MAX	50	150	25	25	38	63	0.08	0.16	0.08	0.16	9	0.25	mA
$I_{OH}$	MAX	-15	-15	-15	-15	-15	-15	-6	-6	-6	-6	-15	-32	mA
$I_{OL}$	MAX	24	64	24	48	64	64	6	6	6	6	64	64	mA

PARAMETER	MAX or MIN	LVT 3V	LVTH 3V	AC 11	SN74 AC	CD74 AC	ACT 11	SN74 ACT	CD74 ACT	AHC	AHCT	LV 3V	LV 5V	UNIT
$I_{CCH}$	MAX	0.19	0.19	0.08	0.04	0.08	0.08	0.04	0.08	0.04	0.04	-	0.02	mA
$I_{CCL}$	MAX	5	5	0.08	0.04	0.08	0.08	0.04	0.08	0.04	0.04	-	0.02	mA
$I_{CCZ}$	MAX	0.19	0.19	0.08	0.04	0.08	0.08	0.04	0.08	0.04	0.04	-	0.02	mA
$I_{OH}$	MAX	-32	-32	-24	-24	-24	-24	-24	-24	-8	-8	-8	-16	mA
$I_{OL}$	MAX	64	64	24	24	24	24	24	24	8	8	8	16	mA

PARAMETER	MAX or MIN	LVC 3V	LVCZ 3V	AUC 1.8V	AUC 2.3V	AUCH 1.8V	AUCH 2.3V	UNIT
$I_{CCH}$	MAX	0.01	0.1	0.02	0.02	0.02	0.02	mA
$I_{CCL}$	MAX	0.01	0.1	0.02	0.02	0.02	0.02	mA
$I_{CCZ}$	MAX	0.01	0.1	0.02	0.02	0.02	0.02	mA
$I_{OH}$	MAX	-24	-24	-8	-9	-8	-9	mA
$I_{OL}$	MAX	24	24	8	9	8	9	mA

## SWITCHING CHARACTERISTICS

PARAMETER	INPUT	OUTPUT	MAX or MIN	LS	S	ALS	ALS A-1	AS	F	SN74 HC	CD74 HC	SN74 HCT	CD74 HCT
$t_{PLH}$	A	Y (CD74: $\bar{Y}$ )	MAX	14	7	9	9	6.5	8	25	30	32	33
$t_{PHL}$				18	7	9	9	6.5	5.7	25	30	32	33
$t_{PZH}$	$\bar{0E}$	Y (CD74: $\bar{Y}$ )	MAX	23	10	13	13	6.4	6.1	38	-	44	-
$t_{PZL}$				30	15	18	18	9	10	38	-	44	-
$t_{PHZ}$	$\bar{0E}$	Y (CD74: $\bar{Y}$ )	MAX	25	9	10	10	5	6.3	38	-	44	-
$t_{PLZ}$				20	15	12	12	9.5	9.5	38	-	44	-

PARAMETER	INPUT	OUTPUT	MAX or MIN	SN74 BCT	ABT	LVT 3V	LVTH 3V	AC 11	SN74 AC	CD74 AC	ACT 11	SN74 ACT	CD74 ACT
$t_{PLH}$	A	Y (CD74: $\bar{Y}$ )	MAX	5.6	4.8	3.8	3.8	8.4	7	6.5	10.6	9.5	7.8
$t_{PHL}$				4	4.8	4	4	7.2	6.5	6.5	8.7	8.5	7.8
$t_{PZH}$	$\bar{0E}$	Y (CD74: $\bar{Y}$ )	MAX	8.8	5.2	4.6	4.6	9.2	8	10.9	12.5	9.5	12.2
$t_{PZL}$				10.5	6.2	4.4	4.4	8.7	8.5	10.9	12.3	10.5	12.2
$t_{PHZ}$	$\bar{0E}$	Y (CD74: $\bar{Y}$ )	MAX	8.1	6.4	4.4	4.4	6.6	9.5	10.9	10	10.5	12.2
$t_{PLZ}$				9.5	5.8	4.3	4.3	7.7	9.5	10.9	10.8	10.5	12.2

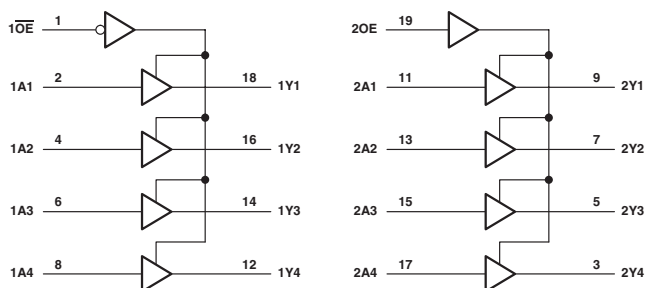
PARAMETER	INPUT	OUTPUT	MAX or MIN	AHC	AHCT	LV 3V	LV 5V	LVC 3V	LVCZ 3V	AUC 1.8V	AUC 2.3V	AUCH 1.8V	AUCH 2.3V
$t_{PLH}$	A	Y	MAX	8.5	9.5	12.5	8.5	6.5	6.5	2.1	1.6	2.1	1.6
$t_{PHL}$				8.5	9.5	12.5	8.5	6.5	6.5	2.1	1.6	2.1	1.6
$t_{PZH}$	$\bar{0E}$	Y	MAX	10.5	13	16	10.5	8	8	2.7	2	2.7	2
$t_{PZL}$				10.5	13	16	10.5	8	8	2.7	2	2.7	2
$t_{PHZ}$	$\bar{0E}$	Y	MAX	10.5	13	17	15.5	7	7	4	2	4	2
$t_{PLZ}$				10.5	13	17	15.5	7	7	4	2	4	2

UNIT: ns

## OCTAL BUFFERS/DRIVERS WITH 3-STATE OUTPUTS

- 3-State Outputs Drive Bus Lines or Buffer Memory Address Registers
- PNP Inputs Reduce DC Loading
- CD74AC/ACT241  $T_A$ : -40 to 85°C

Logic Diagram (SN74)

FUNCTION TABLE  
(each buffer)

INPUTS		OUTPUT
OE	A	Y
L	H	H
L	L	L
H	X	Z

## ELECTRICAL CHARACTERISTICS AND RECOMMENDED OPERATING CONDITIONS

PARAMETER	MAX or MIN	LS	S	ALS	AS	F	SN74 HC	CD74 HC	CD74 HCT	SN74 BCT	ABT	LVTH 3V	SN74 AC	UNIT
ICCH	MAX	27	160	18	35	60	0.08	0.16	0.16	43	0.25	0.19	0.04	mA
ICCL	MAX	46	180	26	90	90	0.08	0.16	0.16	85	30	5	0.04	mA
ICcz	MAX	54	180	30	56	90	0.08	0.16	0.16	10	0.25	0.19	0.04	mA
I <sub>OH</sub>	MAX	-15	-15	-15	-15	-15	-6	-6	-6	-15	-32	-32	-24	mA
I <sub>OL</sub>	MAX	24	64	24	64	64	6	6	6	64	64	64	24	mA

PARAMETER	MAX or MIN	CD74 AC	SN74 ACT	CD74 ACT	UNIT
ICCH	MAX	0.16	0.04	0.08	mA
ICCL	MAX	0.16	0.04	0.08	mA
ICcz	MAX	0.16	0.04	0.08	mA
I <sub>OH</sub>	MAX	-24	-24	-24	mA
I <sub>OL</sub>	MAX	24	24	24	mA

## SWITCHING CHARACTERISTICS

PARAMETER	INPUT	OUTPUT	MAX or MIN	LS	S	ALS	AS	F	SN74 HC	CD74 HC	CD74 HCT	SN74 BCT
t <sub>PLH</sub>	A	Y (CD74: $\bar{Y}$ )	MAX	18	9	11	6.2	6.2	29	33	38	4.9
				18	9	10	6.2	6.5	29	33	38	5.9
t <sub>PZH</sub>	$\overline{10E}$	Y (CD74: $\bar{Y}$ )	MAX	23	12	21	9	6.7	38	-	-	8.7
				30	15	21	7.5	8	38	-	-	9.4
t <sub>PLZ</sub>	$\overline{10E}$	Y (CD74: $\bar{Y}$ )	MAX	25	9	10	6	7	38	-	-	8.1
				20	15	15	9	7	38	-	-	9.9
t <sub>PZH</sub>	20E	Y (CD74: $\bar{Y}$ )	MAX	23	12	21	10.5	6.7	38	-	-	8.7
				30	15	21	8.5	8	38	-	-	9.4
t <sub>PLZ</sub>	20E	Y (CD74: $\bar{Y}$ )	MAX	25	9	10	7	7	38	-	-	8.1
				20	15	15	12	7	38	-	-	9.9

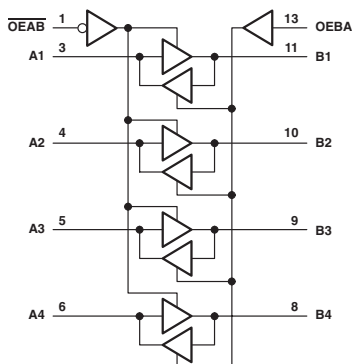
PARAMETER	INPUT	OUTPUT	MAX or MIN	ABT	LVTH 3V	SN74 AC	CD74 AC	SN74 ACT	CD74 ACT
t <sub>PLH</sub>	A	Y (CD74: $\bar{Y}$ )	MAX	4.6	3.5	7.5	7.5	9.5	8.7
				4.6	3.4	7.5	7.5	8.5	8.7
t <sub>PZH</sub>	$\overline{10E}$	Y (CD74: $\bar{Y}$ )	MAX	6.8	4.5	9.5	10.9	9.5	12.2
				6.8	4.4	9.5	10.9	10.5	12.2
t <sub>PLZ</sub>	$\overline{10E}$	Y (CD74: $\bar{Y}$ )	MAX	7.1	4.5	10.5	10.9	10.5	12.2
				5.9	4.7	10.5	10.9	10.5	12.2
t <sub>PZH</sub>	20E	Y (CD74: $\bar{Y}$ )	MAX	6.8	4.5	9.5	10.9	9.5	12.2
				6.8	4.4	9.5	10.9	10.5	12.2
t <sub>PLZ</sub>	20E	Y (CD74: $\bar{Y}$ )	MAX	7.1	4.5	10.5	10.9	10.5	12.2
				5.9	4.7	10.5	10.9	10.5	12.2

UNIT: ns

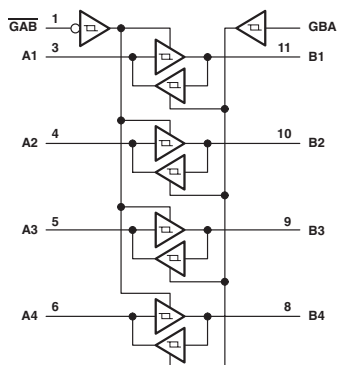
## QUADRUPLE BUS TRANSCEIVERS WITH 3-STATE OUTPUTS

- Two-Way Asynchronous Communication Between Data Buses
- PNP Inputs Reduce DC Loading

Logic Diagram (SN74ALS)



Logic Diagram (SN74LS)



FUNCTION TABLE (SN74)

INPUTS		OPERATION
$\bar{G}A$ B	GBA	
L	L	A to B
H	H	B to A
H	L	Isolation
L	H	Latch A and B (A = B)

## ELECTRICAL CHARACTERISTICS AND RECOMMENDED OPERATING CONDITIONS

PARAMETER	MAX or MIN	LS	ALS	AS	SN74 HC	CD74 HC	CD74 HCT	UNIT
I <sub>CC</sub> H	MAX	38	25	44	0.08	0.16	0.16	mA
I <sub>CC</sub> L	MAX	50	30	74	0.08	0.16	0.16	mA
I <sub>CC</sub> Z	MAX	54	32	56	0.08	0.16	0.16	mA
I <sub>OH</sub>	MAX	-15	-15	-	-	-6	-6	mA
I <sub>OL</sub>	MAX	24	24	64	6	6	6	mA

## SWITCHING CHARACTERISTICS

PARAMETER	INPUT	OUTPUT	MAX or MIN	LS	ALS	AS	SN74 HC	CD74 HC	CD74 HCT
t <sub>PLH</sub>	A or B	A or B	MAX	18	11	7.5	25	27	33
t <sub>PHL</sub>	A or B	A or B	MAX	18	11	6.5	25	27	33
t <sub>PZH</sub>	$\bar{G}A$ B	B	MAX	23	20	9	38	45	51
t <sub>PZL</sub>				30	20	7.5	38	45	51
t <sub>PHZ</sub>	$\bar{G}A$ B	B	MAX	25	14	6.5	38	45	53
t <sub>PLZ</sub>				20	22	9	38	45	53
t <sub>PZH</sub>	GAB	A	MAX	23	20	10.5	38	45	51
t <sub>PZL</sub>				30	20	8.5	38	45	51
t <sub>PHZ</sub>	GAB	A	MAX	25	14	7	38	45	53
t <sub>PLZ</sub>				20	22	11	38	45	53

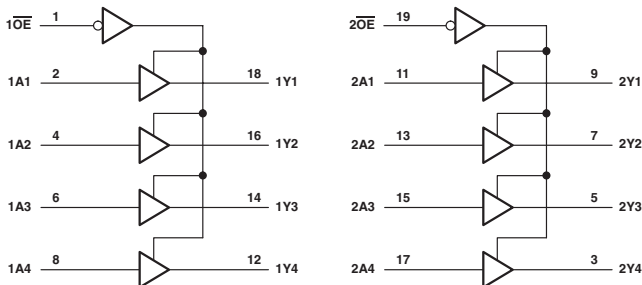
UNIT: ns



## OCTAL BUFFERS/DRIVERS WITH 3-STATE OUTPUTS

- 3-State Outputs Drive Bus Lines or Buffer Memory Address Registers
- PNP Inputs Reduce DC Loading
- 74ACT11xxx: Product Available in Reduced-Noise Advanced CMOS (11000 Series)
- 74ACT11xxx: Product Available in Reduced-Noise Advanced CMOS (11000 Series)
- CD74AC/ACT244  $T_A$ : -40 to 85°C

Logic Diagram (SN74)

FUNCTION TABLE  
(each buffer)

INPUTS		OUTPUT
OE	A	Y
L	H	H
L	L	L
H	X	Z

ELECTRICAL CHARACTERISTICS AND RECOMMENDED OPERATING CONDITIONS

PARAMETER	MAX or MIN	LS	S	ALS	ALS C-1	AS	F	SN74 HC	CD74 HC	SN74 HCT	CD74 HCT	SN74 BCT	SN64 BCT	UNIT
$I_{CC}$	MAX	27	160	17	17	34	60	0.08	0.16	0.08	0.16	40	40	mA
$I_{CCL}$	MAX	46	180	24	24	90	90	0.08	0.16	0.08	0.16	80	80	mA
$I_{CCZ}$	MAX	54	180	27	27	54	90	0.08	0.16	0.08	0.16	10	10	mA
$I_{OH}$	MAX	-15	-15	-15	-15	-15	-15	-6	-6	-6	-6	-15	-15	mA
$I_{OL}$	MAX	24	64	24	48	64	64	6	6	6	6	64	64	mA

PARAMETER	MAX or MIN	ABT	LVT 3V	LVTH 3V	LVTZ 3V	AC 11	SN74 AC	CD74 AC	ACT 11	SN74 ACT	CD74 ACT	AHC	AHCT	LV 3V	UNIT
$I_{CCH}$	MAX	0.25	0.19	0.19	0.225	0.08	0.04	0.08	0.08	0.04	0.08	0.04	0.04	-	mA
$I_{CCL}$	MAX	30	5	5	15	0.08	0.04	0.08	0.08	0.04	0.08	0.04	0.04	-	mA
$I_{CCZ}$	MAX	0.25	0.19	0.19	0.225	0.08	0.04	0.08	0.08	0.04	0.08	0.04	0.04	-	mA
$I_{OH}$	MAX	-32	-32	-32	-32	-24	-24	-24	-24	-24	-24	-8	-8	-8	mA
$I_{OL}$	MAX	64	64	64	64	24	24	24	24	24	24	8	8	8	mA

PARAMETER	MAX or MIN	LV 5V	LV-AT 3	LVC 3V	LVCH 3V	LVCZ 3V	ALVC 3V	ALVCH 3V	AUC 1.8V	AUC 2.3V	AUCH 1.8V	AUCH 2.3V	UNIT
$I_{CCH}$	MAX	0.02	0.02	0.01	0.01	0.1	0.01	0.01	0.02	0.02	0.02	0.02	mA
$I_{CCL}$	MAX	0.02	0.02	0.01	0.01	0.1	0.01	0.01	0.02	0.02	0.02	0.02	mA
$I_{CCZ}$	MAX	0.02	0.02	0.01	0.01	0.1	0.01	0.01	0.02	0.02	0.02	0.02	mA
$I_{OH}$	MAX	-16	-16	-24	-24	-24	-24	-24	-8	-9	-8	-9	mA
$I_{OL}$	MAX	16	16	24	24	24	24	24	8	9	8	9	mA

## SWITCHING CHARACTERISTICS

PARAMETER	INPUT	OUTPUT	MAX or MIN	LS	S	ALS	ALS C-1	AS	F	SN74 HC	CD74 HC	SN74 HCT
$t_{PLH}$	A	Y	MAX	18	9	10	10	6.2	6.2	29	33	35
$t_{PHL}$				18	9	10	10	6.2	6.5	29	33	35
$t_{PZH}$	$\overline{0E}$	Y	MAX	23	12	20	20	9	6.7	38	-	44
$t_{PZL}$				30	15	20	20	7.5	8	38	-	44
$t_{PHZ}$	$\overline{0E}$	Y	MAX	25	9	10	10	6	7	38	-	44
$t_{PLZ}$				20	15	13	13	9	7	38	-	44

PARAMETER	INPUT	OUTPUT	MAX or MIN	CD74 HCT	SN74 BCT	SN64 BCT	ABT	LVT 3V	LVTH 3V	LVTZ 3V	AC 11	SN74 AC	CD74 AC
$t_{PLH}$	A	Y	MAX	38	5	5.3	4.6	3.5	3.5	4.1	7.3	7.5	7.5
$t_{PHL}$				38	5.5	6	4.6	3.3	3.3	4.1	6.9	7.5	7.5
$t_{PZH}$	$\overline{0E}$	Y	MAX	-	8.7	9	5.1	4.5	4.5	5.2	8.5	8	10.9
$t_{PZL}$				-	8.9	9.4	6.1	4.4	4.4	5.2	8.5	8.5	10.9
$t_{PHZ}$	$\overline{0E}$	Y	MAX	-	7.7	8	6.6	4.4	4.4	5.6	7.3	9.5	10.9
$t_{PLZ}$				-	8.9	9.8	5.7	4.4	4.4	5.1	8.2	9.5	10.9

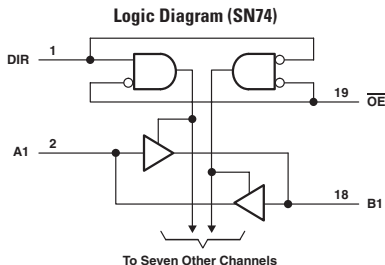
PARAMETER	INPUT	OUTPUT	MAX or MIN	ACT 11	SN74 ACT	CD74 ACT	AHC	AHCT	LV 3V	LV 5V	LV-AT	LVC 3V	LVCH 3V
$t_{PLH}$	A	Y	MAX	9.9	10	8.7	8.5	9.5	13.5	8.5	9.5	5.9	5.9
$t_{PHL}$				9.2	10	8.7	8.5	9.5	13.5	8.5	9.5	5.9	5.9
$t_{PZH}$	$\overline{0E}$	Y	MAX	12.5	9.5	12.2	10.5	13	16	10.5	13	7.6	7.6
$t_{PZL}$				11.4	10.5	12.2	10.5	13	16	10.5	13	7.6	7.6
$t_{PHZ}$	$\overline{0E}$	Y	MAX	10.4	10.5	12.2	10.5	13	18	15.5	13	6.5	5.8
$t_{PLZ}$				11.2	10.5	12.2	10.5	13	18	15.5	13	6.5	5.8

PARAMETER	INPUT	OUTPUT	MAX or MIN	LVCZ 3V	ALVC 3V	ALVCH 3V	AUC 1.8V	AUC 2.3V	AUCH 1.8V	AUCH 2.3V
$t_{PLH}$	A	Y	MAX	5.9	2.8	2.8	2.5	1.9	2.5	1.9
$t_{PHL}$				5.9	2.8	2.8	2.5	1.9	2.5	1.9
$t_{PZH}$	$\overline{0E}$	Y	MAX	7.6	4.5	4.5	3.1	2.3	3.1	2.3
$t_{PZL}$				7.6	4.5	4.5	3.1	2.3	3.1	2.3
$t_{PHZ}$	$\overline{0E}$	Y	MAX	6.5	4.2	4.2	4.2	2.3	4.2	2.3
$t_{PLZ}$				6.5	4.2	4.2	4.2	2.3	4.2	2.3

UNIT: ns

## OCTAL BUS TRANSCEIVERS WITH 3-STATE OUTPUTS

- 3-State Outputs Drive Bus Lines Directly
- PNP Inputs Reduce DC Loading on Bus Lines
- 74AC11xxx: Product Available in Reduced-Noise Advanced CMOS (11000 Series)
- 74ACT11xxx: Product Available in Reduced-Noise Advanced CMOS (11000 Series)



**FUNCTION TABLE**

ENABLE G	DIRECTION CONTROL DIR	OPERATION
L	L	B data to A bus
L	H	A data to B bus
H	X	Isolation

**ELECTRICAL CHARACTERISTICS AND RECOMMENDED OPERATING CONDITIONS**

PARAMETER	MAX or MIN	LS	ALS	ALS A-1	AS	F	SN74 HC	CD74 HC	SN74 HCT	CD74 HCT	SN74 BCT	SN64 BCT	ABT	ABTH	UNIT
I <sub>CCH</sub>	MAX	70	45	45	97	90	0.08	0.16	0.08	0.16	57	57	0.25	0.25	mA
I <sub>CCL</sub>	MAX	90	55	55	143	120	0.08	0.16	0.08	0.16	90	90	30	30	mA
I <sub>CCZ</sub>	MAX	95	58	58	123	110	0.08	0.16	0.08	0.16	15	15	0.25	0.25	mA
I <sub>OH</sub> (A port)	MAX	-15	-15	-15	-15	-3	-6	-4	-6	-4	-3	-3	-32	-32	mA
I <sub>OH</sub> (B port)	MAX	-15	-15	-15	-15	-15	6	-4	-6	-4	-15	-15	-32	-32	mA
I <sub>OL</sub> (A port)	MAX	24	24	48	64	24	-6	4	6	4	24	24	64	64	mA
I <sub>OL</sub> (B port)	MAX	24	24	48	64	64	6	4	6	4	64	64	64	64	mA

PARAMETER	MAX or MIN	LVT 3V	LVTH 3V	LVTR 3V	AC 11	SN74 AC	CD74 AC	ACT 11	SN74 ACT	CD74 ACT	AHC	AHCT	LV 3V	LV 5V	UNIT
I <sub>CCH</sub>	MAX	0.19	0.19	0.19	0.08	0.04	0.16	0.08	0.04	0.16	0.04	0.04	-	0.02	mA
I <sub>CCL</sub>	MAX	5	5	12	0.08	0.04	0.16	0.08	0.04	0.16	0.04	0.04	-	0.02	mA
I <sub>CCZ</sub>	MAX	0.19	0.19	0.19	0.08	0.04	0.16	0.08	0.04	0.16	0.04	0.04	-	0.02	mA
I <sub>OH</sub> (A port)	MAX	-32	-32	-12	-24	-24	-24	-24	-24	-24	-8	-8	-8	-16	mA
I <sub>OH</sub> (B port)	MAX	-32	-32	-32	-24	-24	-24	-24	-24	-24	-8	-8	-8	-16	mA
I <sub>OL</sub> (A port)	MAX	64	64	32	24	24	24	24	24	24	8	8	8	16	mA
I <sub>OL</sub> (B port)	MAX	64	64	32	24	24	24	24	24	24	8	8	8	16	mA

PARAMETER	MAX or MIN	LV-AT	LVC 3V	LVCH 3V	LVCZ 3V	ALVC 3V	ALVCH 3V	AUC 1.8V	AUC 2.3V	AUCH 1.8V	AUCH 2.3V	UNIT
I <sub>CCH</sub>	MAX	0.02	0.01	0.01	0.1	0.01	0.01	0.02	0.02	0.02	0.02	mA
I <sub>CCL</sub>	MAX	0.02	0.01	0.01	0.1	0.01	0.01	0.02	0.02	0.02	0.02	mA
I <sub>CCZ</sub>	MAX	0.02	0.01	0.01	0.1	0.01	0.01	0.02	0.02	0.02	0.02	mA
I <sub>OH</sub> (A port)	MAX	-16	-24	-24	-24	-24	-24	-8	-9	-8	-9	mA
I <sub>OH</sub> (B port)	MAX	-16	-24	-24	-24	-24	-24	-8	-9	-8	-9	mA
I <sub>OL</sub> (A port)	MAX	16	24	24	24	24	24	8	9	8	9	mA
I <sub>OL</sub> (B port)	MAX	16	24	24	24	24	24	8	9	8	9	mA

## SWITCHING CHARACTERISTICS

PARAMETER	INPUT	OUTPUT	MAX or MIN	LS	ALS	ALS A-1	AS	F	SN74 HC	CD74 HC	SN74 HCT	CD74 HCT	SN74 BCT
$t_{PLH}$	A, B	B, A	MAX	12	10	10	7.5	7	26	33	28	39	7
$t_{PHL}$				12	10	10	7	7	26	33	28	39	7
$t_{PZH}$	$\overline{0E}$	A, B	MAX	40	20	20	9	8	58	45	58	48	10.9
$t_{PZL}$				40	20	20	8.5	9	58	45	58	48	11.6
$t_{PHZ}$	$\overline{0E}$	A, B	MAX	28	10	10	5.5	7.5	50	45	50	45	9.3
$t_{PLZ}$				25	15	15	9.5	7.5	50	45	50	45	9.1

PARAMETER	INPUT	OUTPUT	MAX or MIN	SN64 BCT	ABT	ABTH	LVT 3V	LVTH 3V	AC 11	SN74 AC	CD74 AC	ACT 11	SN74 ACT
$t_{PLH}$	A, B	B, A	MAX	7	3.6	3.6	3.5	3.5	9.5	7	8.5	10	8
$t_{PHL}$				7	3.9	3.9	3.5	3.5	6.9	7	8.5	9.1	9
$t_{PZH}$	$\overline{0E}$	A, B	MAX	10.9	5.6	5.6	5.5	5.5	11.4	9	14	13.2	11
$t_{PZL}$				11.6	6.2	6.2	5.5	5.5	9.5	9.5	14	12.9	12
$t_{PHZ}$	$\overline{0E}$	A, B	MAX	9.3	5.9	5.9	5.9	5.9	9.5	10	14	12.9	11
$t_{PLZ}$				9.1	4.5	4.5	5	5	10.4	10	14	13.9	11

PARAMETER	INPUT	OUTPUT	MAX or MIN	CD74 ACT	AHC	AHCT	LV 3V	LV 5V	LV-AT	LVC 3V	LVCH 3V	LVCZ 3V	ALVC 3V
$t_{PLH}$	A, B	B, A	MAX	10	8.5	9.5	13.5	8.5	9.5	6.3	6.3	6.3	3.4
$t_{PHL}$				10	8.5	9.5	13.5	8.5	9.5	6.3	6.3	6.3	3.4
$t_{PZH}$	$\overline{0E}$	A, B	MAX	14	12	16	19	12	16	8.5	8.5	8.5	5.5
$t_{PZL}$				14	12	16	19	12	16	8.5	8.5	8.5	5.5
$t_{PHZ}$	$\overline{0E}$	A, B	MAX	14.4	11	16.5	22	16	16.5	7.5	7.5	7.5	5.5
$t_{PLZ}$				14.4	11	16.5	22	16	16.5	7.5	7.5	7.5	5.5

PARAMETER	INPUT	OUTPUT	MAX or MIN	ALVCH 3V	AUC 1.8V	AUC 2.3V	AUCH 1.8V	AUCH 2.3V
$t_{PLH}$	A, B	B, A	MAX	3.4	2.2	1.8	2.2	1.8
$t_{PHL}$				3.4	2.2	1.8	2.2	1.8
$t_{PZH}$	$\overline{0E}$	A, B	MAX	5.5	3	2.4	3	2.4
$t_{PZL}$				5.5	3	2.4	3	2.4
$t_{PHZ}$	$\overline{0E}$	A, B	MAX	5.5	4	2.6	4	2.6
$t_{PLZ}$				5.5	4	2.6	4	2.6

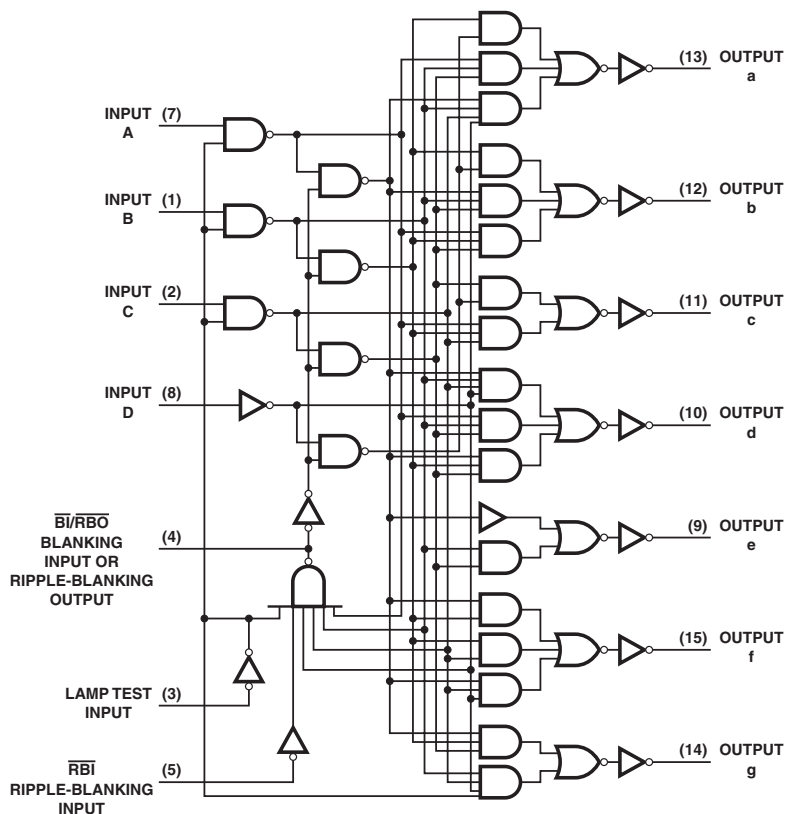
PARAMETER	INPUT	OUTPUT	MAX or MIN	LVTR 3V
$t_{PLH}$	A	B	MAX	4.2
	B	A		4.4
$t_{PHL}$	A	B	MAX	4.6
	B	A		4.1
$t_{PZH}$	$\overline{0E}$	B	MAX	5.5
		A		6
$t_{PZL}$	$\overline{0E}$	B	MAX	6.6
		A		6.4
$t_{PHZ}$	$\overline{0E}$	B	MAX	6.1
		A		5.8
$t_{PLZ}$	$\overline{0E}$	B	MAX	5.2
		A		5.2

UNIT: ns

## BCD-TO-SEVEN-SEGMENT DECODERS/DRIVERS

- Open-Collector Outputs Drive Indicators Directly
- Lamp-Test Provision
- Leading/Trailing Zero Suppression

Logic Diagram



FUNCTION TABLE

DECIMAL OR FUNCTION	INPUTS					$\overline{\text{BI/RBO}}$	OUTPUTS							
	$\overline{\text{LT}}$	$\overline{\text{RBI}}$	D	C	B		A	a	b	c	d	e	f	g
0	H	H	L	L	L	L	H	ON	ON	ON	ON	ON	ON	OFF
1	H	X	L	L	L	H	H	OFF	ON	ON	OFF	OFF	OFF	OFF
2	H	X	L	L	H	L	H	ON	ON	OFF	ON	ON	OFF	ON
3	H	X	L	L	H	H	H	ON	ON	ON	ON	OFF	OFF	ON
4	H	X	L	H	L	L	H	OFF	ON	ON	OFF	OFF	ON	ON
5	H	X	L	H	L	H	H	ON	OFF	ON	ON	OFF	ON	ON
6	H	X	L	H	H	L	H	ON	OFF	ON	ON	ON	ON	ON
7	H	X	L	H	H	H	H	ON	ON	ON	ON	OFF	OFF	OFF
8	H	X	H	L	L	L	H	ON	ON	ON	ON	ON	ON	ON
9	H	X	H	L	L	H	H	ON	ON	ON	ON	OFF	ON	ON
10	H	X	H	L	H	L	H	OFF	OFF	OFF	ON	ON	OFF	ON
11	H	X	H	L	H	H	H	OFF	OFF	ON	ON	OFF	OFF	ON
12	H	X	H	H	L	L	H	OFF	ON	OFF	OFF	OFF	ON	ON
13	H	X	H	H	L	H	H	ON	OFF	OFF	ON	OFF	ON	ON
14	H	X	H	H	H	L	H	OFF	OFF	OFF	ON	ON	ON	ON
15	H	X	H	H	H	H	H	OFF	OFF	OFF	OFF	OFF	OFF	OFF
$\overline{\text{BI}}$	X	X	X	X	X	X	L	OFF	OFF	OFF	OFF	OFF	OFF	OFF
$\overline{\text{RBI}}$	H	L	L	L	L	L	L	OFF	OFF	OFF	OFF	OFF	OFF	OFF
LT	L	X	X	X	X	X	H	ON	ON	ON	ON	ON	ON	ON

## ELECTRICAL CHARACTERISTICS AND RECOMMENDED OPERATING CONDITIONS

PARAMETER		MAX or MIN	TTL	LS	UNIT
$I_{CC}$		MAX	103	13	mA
$V_o$ (off)	a thru g	MAX	15	15	V
$I_o$ (on)		MAX	40	24	mA
$I_{OH}$	$\overline{\text{BI/RBO}}$	MAX	-0.2	-0.05	mA
$I_{OL}$		MAX	8	3.2	mA

## TIMING REQUIREMENTS AND SWITCHING CHARACTERISTICS

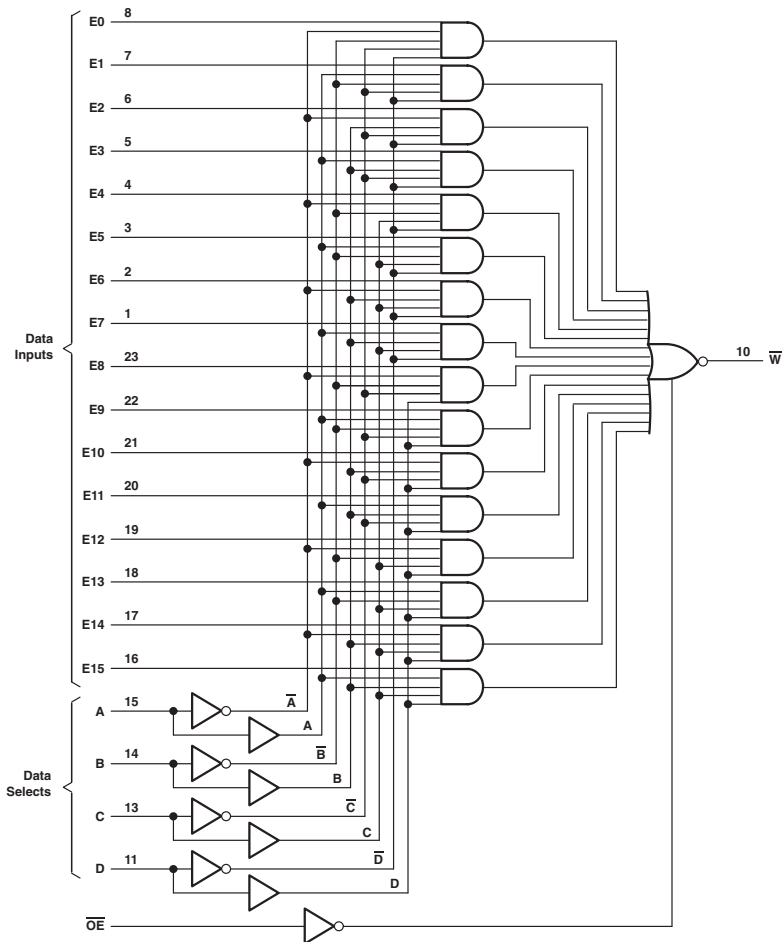
PARAMETER		MAX or MIN	TTL	LS
$t_{off}$	INPUT A	MIN	100	100
$t_{on}$			100	100
$t_{off}$	INPUT $\overline{\text{RBI}}$	MIN	100	100
$t_{on}$			100	100

UNIT: ns

## 1-OF-16 DATA GENERATORS/MULTIPLEXERS WITH 3-STATE OUTPUTS

- 4-Line to 1-Line Multiplexers That Can Select 1-of-16 Data Inputs
- Applications:
  - Boolean Function Generator
  - Parallel-to-Serial Converter
  - Data Source Selector
- Buffered 3-State Bus Driver Inputs Permit Multiplexing From n Lines to One Line
- 3-State Outputs

Logic Diagram



FUNCTION TABLE

$\overline{OE}$	INPUTS					OUTPUT	
	A	B	C	D	Ei	$\overline{W}$	
L	L	L	L	L	E0	E0	
L	H	L	L	L	E1	E1	
L	L	H	L	L	E2	E2	
L	H	H	L	L	E3	E3	
L	L	L	H	L	E4	E4	
L	H	L	H	L	E5	E5	
L	L	H	H	L	E6	E6	
L	H	H	H	L	E7	E7	
L	L	L	L	H	E8	E8	
L	H	L	L	H	E9	E9	
L	L	H	L	H	E10	E10	
L	H	H	L	H	E11	E11	
L	L	L	H	H	E12	E12	
L	H	L	H	H	E13	E13	
L	L	H	H	H	E14	E14	
L	H	H	H	H	E15	E15	
H	X	X	X	X	X	Z	

ELECTRICAL CHARACTERISTICS AND RECOMMENDED OPERATING CONDITIONS

PARAMETER	MAX or MIN	AS	UNIT
I <sub>CC</sub>	MAX	50	mA
I <sub>OH</sub>	MAX	-15	mA
I <sub>OL</sub>	MAX	48	mA

SWITCHING CHARACTERISTICS

PARAMETER	INPUT	OUTPUT	MAX or MIN	AS
t <sub>PLH</sub>	DATA	$\overline{W}$	MAX	8
				7
t <sub>PHL</sub>	SELECT	$\overline{W}$	MAX	13
				10.5
t <sub>PZH</sub>	$\overline{OE}$	$\overline{W}$	MAX	7
				9
t <sub>PHZ</sub>	$\overline{OE}$	$\overline{W}$	MAX	6
				6.5

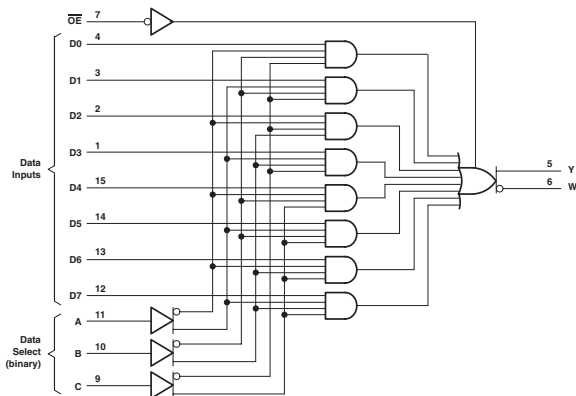
UNIT: ns



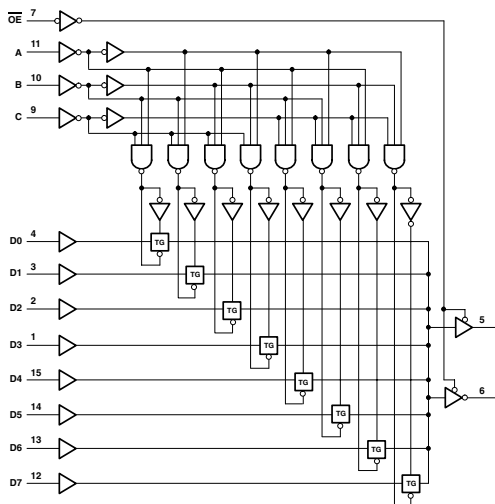
## DATA SELECTORS/MULTIPLEXERS WITH 3-STATE OUTPUTS

- 3-State Version of '151
- 3-State Outputs Interface Directly with System Bus
- Perform Parallel-to-Serial Conversion
- Complementary Outputs Provide True and Inverted Data

Logic Diagram (SN74ALS,F)



Logic Diagram (SN74HC)



FUNCTION TABLE (SN74)

INPUTS				OUTPUTS		
SELECT			STROBE OE	Y	W	
C	B	A				
X	X	X	H	Z	Z	Z
L	L	L	L	D0	D0	D0
L	L	H	L	D1	D1	D1
L	H	L	L	D2	D2	D2
L	H	H	L	D3	D3	D3
H	L	L	L	D4	D4	D4
H	L	H	L	D5	D5	D5
H	H	L	L	D6	D6	D6
H	H	H	L	D7	D7	D7

## ELECTRICAL CHARACTERISTICS AND RECOMMENDED OPERATING CONDITIONS

PARAMETER	MAX or MIN	TTL	LS	S	ALS	F	SN74 HC	CD74 HC	CD74 HCT	SN74 AC	CD74 AC	UNIT
I <sub>CC</sub>	MAX	62	12	85	14	24	0.08	0.16	0.16	0.16	0.16	mA
I <sub>OH</sub>	MAX	-5.2	-2.6	-6.5	-2.6	-3	-6	-4	-4	-24	-24	mA
I <sub>OL</sub>	MAX	16	8	20	24	24	6	4	4	24	24	mA

## SWITCHING CHARACTERISTICS

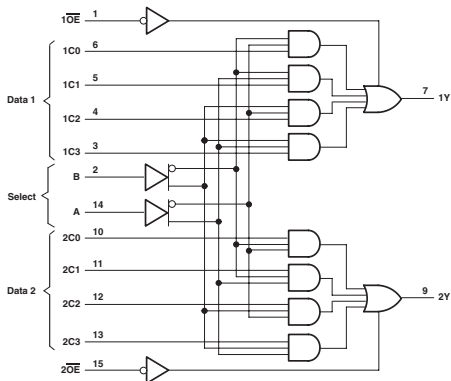
PARAMETER	INPUT	OUTPUT	MAX or MIN	TTL	LS	S	ALS	F	SN74 HC	CD74 HC	CD74 HCT	SN74 AC	CD74 AC
t <sub>PLH</sub>	A, B, C (CD74: S <sub>0</sub> , S <sub>1</sub> , S <sub>2</sub> )	Y	MAX	45	45	18	18	9.5	51	74	63	18.2	18.2
t <sub>PHL</sub>				45	45	19.5	24	7.5	51	74	63	18.2	18.2
t <sub>PLH</sub>	A, B, C (CD74: S <sub>0</sub> , S <sub>1</sub> , S <sub>2</sub> )	W (CD74: $\bar{Y}$ )	MAX	33	33	15	24	12.5	51	74	63	19.6	19.6
t <sub>PHL</sub>				33	33	13.5	23	9	51	74	63	19.6	19.6
t <sub>PLH</sub>	ANY D (CD74: ANYI)	Y	MAX	28	28	12	10	7	49	53	53	13.5	13.5
t <sub>PHL</sub>				28	28	12	15	5	49	53	53	13.5	13.5
t <sub>PLH</sub>	ANY D (CD74: ANYI)	W (CD74: $\bar{Y}$ )	MAX	15	15	7	15	8	49	53	53	14.9	14.9
t <sub>PHL</sub>				15	15	7	15	8	49	53	53	14.9	14.9
t <sub>PZH</sub>	$\bar{G}$	Y	MAX	27	45	19.5	15	7	36	42	45	13.5	13.5
t <sub>PZL</sub>				40	40	21	15	6.5	36	42	45	13.5	13.5
t <sub>PZH</sub>	$\bar{G}$	W (CD74: $\bar{Y}$ )	MAX	27	27	19.5	15	6	36	42	45	13.5	13.5
t <sub>PZL</sub>				40	40	21	15	4.5	36	42	45	13.5	13.5
t <sub>PHZ</sub>	$\bar{G}$	Y	MAX	8	45	8.5	10	8.5	49	42	45	13.5	13.5
t <sub>PLZ</sub>				23	25	14	10	8	49	42	45	13.5	13.5
t <sub>PHZ</sub>	$\bar{G}$	W (CD74: $\bar{Y}$ )	MAX	8	55	8.5	10	5.5	49	42	45	13.5	13.5
t <sub>PLZ</sub>				23	25	14	10	4.5	49	42	45	13.5	13.5

UNIT: ns

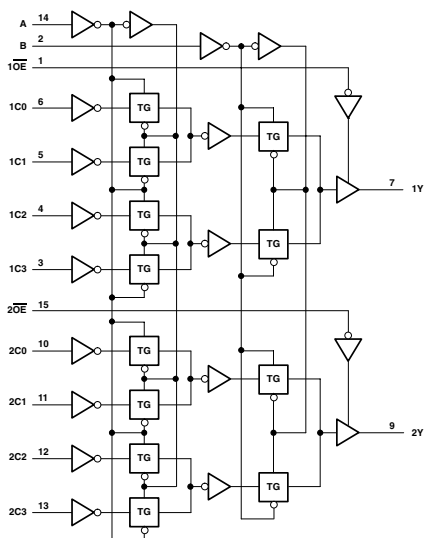
## DUAL 4-LINE TO 1-LINE DATA SELECTORS/MULTIPLEXERS WITH 3-STATE OUTPUTS

- 3-State Version of '153
- Perform Parallel-to-Serial Conversion

Logic Diagram (SN74ALS, AS, F)



Logic Diagram (SN74HC)



FUNCTION TABLE (SN74)

SELECT INPUTS		DATA INPUTS				OUTPUT CONTROL	OUTPUT
B	A	C0	C1	C2	C3	$\overline{OE}$	Y
X	X	X	X	X	X	H	Z
L	L	L	X	X	X	L	L
L	L	H	X	X	X	L	H
L	H	X	L	X	X	L	L
L	H	X	H	X	X	L	H
H	L	X	X	L	X	L	L
H	L	X	X	H	X	L	H
H	H	X	X	X	L	L	L
H	H	X	X	X	H	L	H

ELECTRICAL CHARACTERISTICS AND RECOMMENDED OPERATING CONDITIONS

PARAMETER	MAX or MIN	LS	ALS	AS	F	SN74 HC	CD74 HC	CD74 HCT	CD74 AC	CD74 ACT	UNIT
I <sub>CC</sub>	MAX	14	14	33	23	0.08	0.16	0.16	0.16	0.16	mA
I <sub>OH</sub>	MAX	-2.6	-2.6	-15	-3	-6	-6	-4	-24	-24	mA
I <sub>OL</sub>	MAX	8	24	48	24	6	6	4	24	24	mA

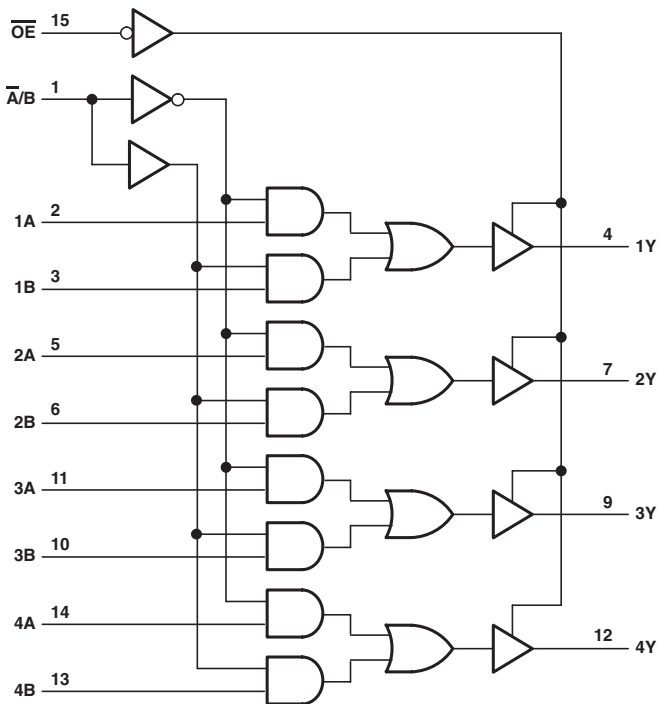
SWITCHING CHARACTERISTICS

PARAMETER	INPUT	OUTPUT	MAX or MIN	LS	ALS	AS	F	SN74 HC	CD74 HC	CD74 HCT	CD74 AC	CD74 ACT
t <sub>PLH</sub>	DATA	Y	MAX	25	10	7.5	8	35	53	57	13.3	18
				20	14	8	7	35	53	57	13.3	18
t <sub>PHL</sub>	SELECT	Y	MAX	45	21	13.5	13	38	53	60	20	22
				32	21	11.5	10	38	53	60	20	22
t <sub>PZH</sub>	$\overline{OE}$	Y	MAX	28	14	12.5	9	25	33	45	11.5	12.6
				23	16	11.5	9	25	33	45	11.5	12.6
t <sub>PHZ</sub>	$\overline{OE}$	Y	MAX	41	10	6	6	38	45	45	11.5	12.6
				27	14	7	7	38	45	45	11.5	12.6

UNIT: ns

**QUADRUPLER 2-LINE TO 1-LINE DATA SELECTORS/MULTIPLEXERS WITH 3-STATE OUTPUTS**

- 3-State Outputs Interface Directly with System Bus
- Provides Bus Interface from Multiple Sources in High-Performance Systems

**Logic Diagram (SN74)**


FUNCTION TABLE (SN74)

OUTPUT CONTROL OE	INPUTS			OUTPUT Y
	SELECT A/B	A	B	
H	X	X	X	Z
L	L	L	X	L
L	L	H	X	H
L	H	X	L	L
L	H	X	H	H

ELECTRICAL CHARACTERISTICS AND RECOMMENDED OPERATING CONDITIONS

PARAMETER	MAX or MIN	LS	S	ALS	AS	F	SN74 HC	CD74 HC	SN74 HCT	CD74 HCT	AC 11	CD74 AC	ACT 11	UNIT
I <sub>CC</sub>	MAX	19	87	14	31.9	23	0.08	0.16	0.08	0.16	0.08	0.16	0.08	mA
I <sub>OH</sub>	MAX	-2.6	-6.5	-2.6	-15	-3	-6	-6	-6	-6	-24	-24	-24	mA
I <sub>OL</sub>	MAX	24	20	24	48	24	6	6	6	6	24	24	24	mA

PARAMETER	MAX or MIN	CD74 ACT	LVC 3V	UNIT
I <sub>CC</sub>	MAX	0.16	0.01	mA
I <sub>OH</sub>	MAX	-24	-24	mA
I <sub>OL</sub>	MAX	24	24	mA

SWITCHING CHARACTERISTICS

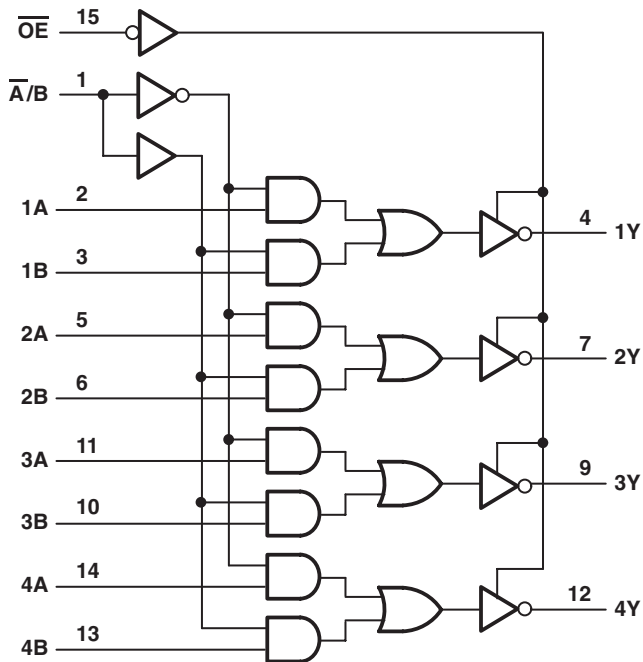
PARAMETER	INPUT	OUTPUT	MAX or MIN	LS	S	ALS	AS	F	SN74 HC	CD74 HC	SN74 HCT	CD74 HCT
t <sub>PLH</sub>	DATA	ANY	MAX	13	7.5	10	5.5	7	25	45	38	50
t <sub>PHL</sub>				15	6.5	12	6	6.5	25	45	38	50
t <sub>PLH</sub>	SELECT	ANY	MAX	21	15	18	11	15	25	53	38	57
t <sub>PHL</sub>				24	15	22	10	9.5	25	53	38	57
t <sub>PZH</sub>	$\overline{OE}$	Y	MAX	30	19.5	16	7.5	8.5	38	45	38	45
t <sub>PZL</sub>				30	21	18	9.5	8.5	38	45	38	45
t <sub>PHZ</sub>	$\overline{OE}$	Y	MAX	30	8.5	10	6.5	7	38	45	38	45
t <sub>PLZ</sub>				25	14	15	7	7	38	45	38	45

PARAMETER	INPUT	OUTPUT	MAX or MIN	AC 11	CD74 AC	ACT 11	CD74 ACT	LVC 3V
t <sub>PLH</sub>	DATA	ANY	MAX	6.4	9.3	6.9	10.7	4.6
t <sub>PHL</sub>				7.2	9.3	8.7	10.7	4.6
t <sub>PLH</sub>	SELECT	ANY	MAX	7.2	13.4	8.2	15.4	6.4
t <sub>PHL</sub>				7.9	13.4	9.4	15.4	6.4
t <sub>PZH</sub>	$\overline{OE}$	Y	MAX	6.5	14.7	7.3	16.1	5.6
t <sub>PZL</sub>				8.6	14.7	9.6	16.1	5.6
t <sub>PHZ</sub>	$\overline{OE}$	Y	MAX	7.6	14.7	8.4	16.1	4.3
t <sub>PLZ</sub>				7.6	14.7	8.5	16.1	4.3

UNIT: ns

**QUADRUPLÉ 4-LINE TO 1-LINE DATA SELECTORS/MULTIPLEXERS WITH 3-STATE OUTPUTS**

- 3-State Outputs Interface Directly with System Bus
- Provides Bus Interface from Multiple Sources in High-Performance Systems

**Logic Diagram (SN74)**


FUNCTION TABLE

OUTPUT CONTROL OE	INPUTS			OUTPUT Y
	SELECT $\bar{A}/\bar{B}$	A	B	
H	X	X	X	Z
L	L	L	X	H
L	L	H	X	L
L	H	X	L	H
L	H	X	H	L

ELECTRICAL CHARACTERISTICS AND RECOMMENDED OPERATING CONDITIONS

PARAMETER	MAX or MIN	LS	S	ALS	AS	F	SN74 HC	CD74 HC	CD74 HCT	CD74 ACT	UNIT
I <sub>CC</sub>	MAX	16	87	13	25.2	23	0.08	0.16	0.16	0.16	mA
I <sub>OH</sub>	MAX	-2.6	-6.5	-2.6	-15	-3	-6	-6	-6	-24	mA
I <sub>OL</sub>	MAX	8	20	24	48	24	6	6	6	24	mA

SWITCHING CHARACTERISTICS

PARAMETER	INPUT	OUTPUT	MAX or MIN	LS	S	ALS	AS	F	SN74 HC	CD74 HC	CD74 HCT	CD74 ACT
t <sub>PLH</sub>	DATA	Y	MAX	12	6	8	5	6	25	24	34	10.7
				17	6	7	4	5.5	25	24	34	10.7
t <sub>PHL</sub>	SELECT	Y	MAX	21	12	25	9.5	9.5	25	35	43	15.4
t <sub>PHL</sub>				24	12	20	10	11	25	35	43	15.4
t <sub>PZH</sub>	$\bar{G}$	Y	MAX	30	19.5	18	8	8.5	38	35	35	16.1
t <sub>PZL</sub>				30	21	18	10	8.5	38	35	35	16.1
t <sub>PHZ</sub>	$\bar{G}$	Y	MAX	30	8.5	10	6	7	38	38	38	16.1
t <sub>PLZ</sub>				25	14	18	6.5	7	38	38	38	16.1

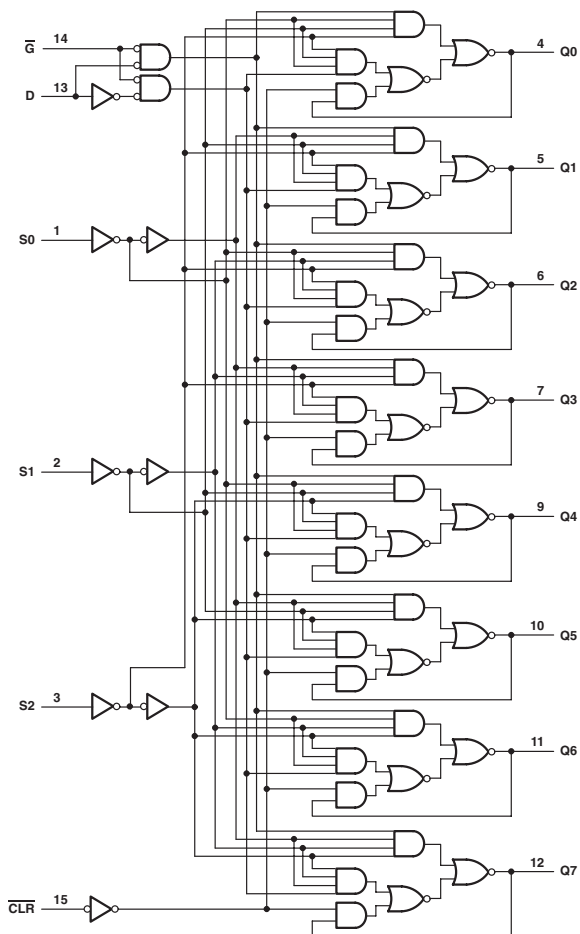
UNIT: ns



## 8-BIT ADDRESSABLE LATCHES

- 8-Bit Parallel-Out Storage Register Performs Serial-to-Parallel Conversion with Storage
- Asynchronous Parallel Clear
- Active-High Decoder
- Enable/Disable Input Simplifies Expansion
- Expandable for n-Bit Applications
- Four Distinct Functional Modes

Logic Diagram (SN74ALS)



**LATCH SELECTION**

SELECT INPUTS			LATCH ADDRESSED
C	B	A	
L	L	L	0
L	L	H	1
L	H	L	2
L	H	H	3
H	L	L	4
H	L	H	5
H	H	L	6
H	H	H	7

**FUNCTION TABLE (SN74)**

INPUTS		OUTPUT OF ADDRESSED LATCH	EACH OTHER OUTPUT	FUNCTION
CLEAR	$\bar{G}$			
H	L	D	Q <sub>0</sub>	Addressable latch Memory 8-line demultiplexer Clear
H	H	Q <sub>0</sub>	Q <sub>0</sub>	
L	L	D	L	
L	H	L	L	

**ELECTRICAL CHARACTERISTICS AND RECOMMENDED OPERATING CONDITIONS**

PARAMETER	MAX or MIN	TTL	LS	ALS	SN74 HC	CD74 HC	CD74 HCT	UNIT
I <sub>CC</sub>	MAX	90	36	22	0.08	0.16	0.16	mA
I <sub>OH</sub>	MAX	16	8	8	4	4	4	mA
I <sub>OL</sub>	MAX	-0.8	-0.4	-0.4	-4	-4	-4	mA

**TIMING REQUIREMENTS AND SWITCHING CHARACTERISTICS**

PARAMETER		INPUT	OUTPUT	MAX or MIN	TTL	LS	ALS	SN74 HC	CD74 HC	CD74 HCT
t <sub>w</sub>	$\bar{G}$ (CDHC/HCT: $\bar{L}\bar{E}$ )			MIN	15	17	15	20	21	27
	CLR (CDHC/HCT: MR)				15	10	10	20	21	27
t <sub>su</sub>	DATA			MIN	15	20	15	19	24	26
	ADDRESS				5	17	15	19	24	26
t <sub>h</sub>	DATA			MIN	0	0	0	5	0	0
	ADDRESS				20	0	0	5	0	0
t <sub>PLH</sub>		CLEAR (CDHC/HCT: MR)	Any Q	MAX	25	18	12	38	47	59
t <sub>PHL</sub>		DATA	Any Q	MAX	24	30	19	33	56	59
t <sub>PLH</sub>					20	20	12	33	-	59
t <sub>PLH</sub>		ADDRESS	Any Q	MAX	28	27	22	50	56	61
t <sub>PHL</sub>					28	20	12	50	-	61
t <sub>PHL</sub>		ENABLE	Any Q	MAX	20	24	20	43	51	57
t <sub>PHL</sub>					20	24	13	43	-	57

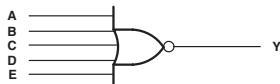
UNIT: ns

## 260

## DUAL 5-INPUT POSITIVE-NOR GATES

$$\bullet Y = \overline{A + B + C + D + E}$$

## Logic Diagram



## ELECTRICAL CHARACTERISTICS AND RECOMMENDED OPERATING CONDITIONS

PARAMETER	MAX or MIN	S	F	UNIT
$I_{CC}$	MAX	45	9.5	mA
$I_{OH}$	MAX	-1	-1	mA
$I_{OL}$	MAX	20	20	mA

## SWITCHING CHARACTERISTICS

PARAMETER	INPUT	OUTPUT	MAX or MIN	S	F
$t_{PLH}$	A, B, C, D, E	Y	MAX	5.5	6.5
$t_{PHL}$				6	4.5

UNIT: ns

## 265

## QUADRUPLE COMPLEMENTARY-OUTPUT ELEMENTS

$$\bullet Y = \overline{A}, W = A$$

$$\bullet Y = AB, W = AB$$

## Logic Diagram

ELEMENTS 1 and 4



ELEMENTS 2 and 3



## ELECTRICAL CHARACTERISTICS AND RECOMMENDED OPERATING CONDITIONS

PARAMETER	MAX or MIN	TTL	UNIT
$I_{CC}$	MAX	34	mA
$I_{OH}$	MAX	-0.8	mA
$I_{OL}$	MAX	16	mA

## SWITCHING CHARACTERISTICS

PARAMETER	INPUT	OUTPUT	MAX or MIN	TTL
$t_{PLH}(W)$	A or B	W	MAX	18
$t_{PHL}(Y)$	A or B	Y	MAX	18
$t_{PLH}(W)$	A or B	W	MAX	18
$t_{PHL}(Y)$	A or B	Y	MAX	18
$t_{PLH}(W)$ $t_{PHL}(Y)$	A or B	W with respect Y	MAX	$\pm 3$
$t_{PHL}(W)$ $t_{PLH}(Y)$	A or B	W with respect Y	MAX	$\pm 3$

UNIT: ns

## QUADRUPLE 2-INPUT EXCLUSIVE-NOR GATES WITH OPEN-DRAIN OUTPUTS



$$Y = \overline{A \oplus B}$$

FUNCTION TABLE

INPUTS		OUTPUT
A	B	Y
L	L	H
L	H	L
H	L	L
H	H	H

ELECTRICAL CHARACTERISTICS AND RECOMMENDED OPERATING CONDITIONS

PARAMETER	MAX or MIN	LS	SN74 HC	UNIT
I <sub>CC</sub>	MAX	13	0.02	mA
V <sub>OH</sub>	MAX	5.5	V <sub>CC</sub>	V
I <sub>OL</sub>	MAX	8	4	mA

SWITCHING CHARACTERISTICS

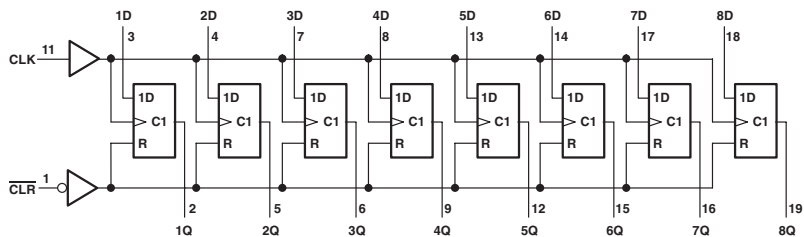
PARAMETER	INPUT	OUTPUT	MAX or MIN	LS	SN74 HC
t <sub>PLH</sub>	A or B Other INPUT Low	Y	MAX	30	31
t <sub>PHL</sub>	A or B Other INPUT Low	Y	MAX	30	25
t <sub>PLH</sub>	A or B Other INPUT High	Y	MAX	30	31
t <sub>PHL</sub>	A or B Other INPUT High	Y	MAX	30	25

UNIT: ns

## OCTAL D-TYPE FLIP-FLOPS WITH CLEAR

- Contain Eight Flip-Flops with Single-Rail Outputs
- Buffered Clock and Direct-Clear Inputs

Logic Diagram (SN74)



FUNCTION TABLE (SN74)

INPUTS			OUTPUT
CLEAR	CLOCK	D	Q
L	X	X	L
H	↑	H	H
H	↑	L	L
H	L	X	Q <sub>0</sub>

## ELECTRICAL CHARACTERISTICS AND RECOMMENDED OPERATING CONDITIONS

PARAMETER	MAX or MIN	TTL	LS	ALS	SN74 HC	CD74 HC	SN74 HCT	CD74 HCT	ABT	LVTH 3V	CD74 AC	CD74 ACT	UNIT
I <sub>CC</sub>	MAX	94	27	29	0.08	0.16	0.08	0.16	30	5	0.16	0.16	mA
I <sub>OH</sub>	MAX	-0.8	-0.4	-2.6	-4	-4	-4	-4	-32	-32	-24	-24	mA
I <sub>OL</sub>	MAX	16	8	24	4	4	4	4	64	64	24	24	mA

PARAMETER	MAX or MIN	AHC	AHCT	LV 3V	LV 5V	UNIT
I <sub>CC</sub>	MAX	0.04	0.04	-	0.02	mA
I <sub>OH</sub>	MAX	-8	-8	-6	-12	mA
I <sub>OL</sub>	MAX	8	8	6	12	mA

## TIMING REQUIREMENTS AND SWITCHING CHARACTERISTICS

PARAMETER	INPUT	OUTPUT	MAX or MIN	TTL	LS	ALS	SN74 HC	CD74 HC	SN74 HCT	CD74 HCT	ABT
f <sub>max</sub>			MIN	30	30	35	21	20	16	16	150
t <sub>w</sub>			MIN	16.5	20	14	20	24	25	30	3.3
t <sub>SU</sub>	DATA INPUT		MIN	20	20	10	25	18	25	18	2.5
	CLR INACTIVE		MIN	25	25	15	25	-	25	-	2
t <sub>H</sub>			MIN	5	5	0	0	3	0	3	1.2
t <sub>PHL</sub>	CLEAR	ANY Q	MAX	27	27	18	40	45	42	48	7.4
t <sub>PLH</sub>			MAX	27	27	12	40	45	42	45	6.5
t <sub>PHL</sub>	CLOCK	ANY Q	MAX	27	27	15	40	45	42	45	7.3

PARAMETER	INPUT	OUTPUT	MAX or MIN	LVTH 3V	CD74 AC	CD74 ACT	AHC	AHCT	LV 3V	LV 5V
f <sub>max</sub>			MIN	150	100	85	70	45	45	70
t <sub>w</sub>			MIN	3.3	5	6	5	6.5	6.5	5
t <sub>SU</sub>	DATA INPUT		MIN	2.3	2	2	4.5	5	6.5	4.5
	CLR INACTIVE		MIN	2.3	-	-	2	2.5	2.5	2
t <sub>H</sub>			MIN	0	2	2	1	0	1	1
t <sub>PHL</sub>	CLEAR	ANY Q	MAX	4.3	13.5	13.5	12	12.6	19.5	12
t <sub>PLH</sub>			MAX	4.9	13.5	13.5	12.5	9.8	19.5	12.5
t <sub>PHL</sub>	CLOCK	ANY Q	MAX	4.8	13.5	13.5	12.5	11	19.5	12.5

UNIT f<sub>max</sub> : MHz, other : ns

## QUADRUPLE J-K FLIP-FLORS

- Separate Negative-Edge-Triggered Clocks
- Fully Buffered Outputs

FUNCTION TABLE

COMMON INPUTS		INPUTS			OUTPUT
PRESET	CLEAR	CLOCK	J	$\bar{K}$	Q
L	H	X	X	X	H
H	L	X	X	X	L
L	L	X	X	X	H†
H	H	↓	L	H	Q <sub>0</sub>
H	H	↓	H	H	H
H	H	↓	L	L	L
H	H	↓	H	L	TOGGLE
H	H	H	X	X	Q <sub>0</sub>

† The output levels in this configuration are not guaranteed to meet the minimum levels for  $V_{OH}$ . Furthermore, this configuration is nonstable; that is, it will not persist when either PRE or CLR returns to its inactive (high) level.

### ELECTRICAL CHARACTERISTICS AND RECOMMENDED OPERATING CONDITIONS

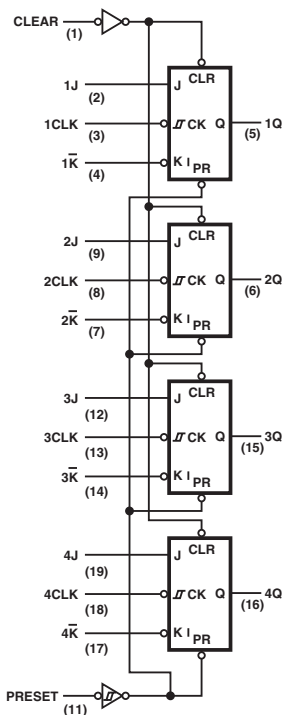
PARAMETER	MAX or MIN	TTL	UNIT
$I_{CC}$	MAX	81	mA
$I_{OH}$	MAX	-0.8	mA
$I_{OL}$	MAX	16	mA

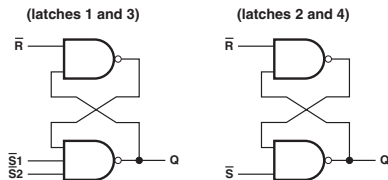
### TIMING REQUIREMENTS AND SWITCHING CHARACTERISTICS

PARAMETER	INPUT	OUTPUT	MAX or MIN	TTL
$f_{max}$			MIN	35
$t_w$	CLOCK high			13.5
	CLOCK low		MIN	15
$t_{SU}$	J, K CLR, PRE		MIN	3
				10
			MIN	10
$t_h$			MIN	10
$t_{PLH}$	$\overline{\text{PRESET}}$	Q	MAX	25
$t_{PHL}$	$\overline{\text{CLEAR}}$	Q	MAX	30
$t_{PLH}$	CLOCK	Q	MAX	30
$t_{PHL}$				30

UNIT  $f_{max}$  : MHz, other : ns

### Logic Diagram



QUADRUPLE  $\overline{S}$ - $\overline{R}$  LATCHES

FUNCTION TABLE  
(each latch)

INPUTS		OUTPUT
$\overline{S}$ †	$\overline{R}$	Q
H	H	Q <sub>0</sub>
L	H	H
H	L	L
L	L	H‡

H = high level L = low level

†For latches with double S inputs:

Q<sub>0</sub> = the level of Q before the indicated input conditions were established.

‡This configuration is nonstable; that is, it may not persist when the  $\overline{S}$  and  $\overline{R}$  inputs return to their inactive (high) level.

H = both  $\overline{S}$  inputs high

L = one or both  $\overline{S}$  inputs low

## ELECTRICAL CHARACTERISTICS AND RECOMMENDED OPERATING CONDITIONS

PARAMETER	MAX or MIN	TTL	LS	UNIT
I <sub>CC</sub>	MAX	30	7	mA
I <sub>OH</sub>	MAX	-0.8	-0.4	mA
I <sub>OL</sub>	MAX	16	8	mA

## TIMING REQUIREMENTS AND SWITCHING CHARACTERISTICS

PARAMETER	INPUT	OUTPUT	MAX or MIN	TTL	LS
t <sub>W</sub>			MIN	20	20
t <sub>PLH</sub>	$\overline{S}$	Q	MAX	22	22
t <sub>PHL</sub>				15	21
t <sub>PHL</sub>	$\overline{R}$		MAX	27	27

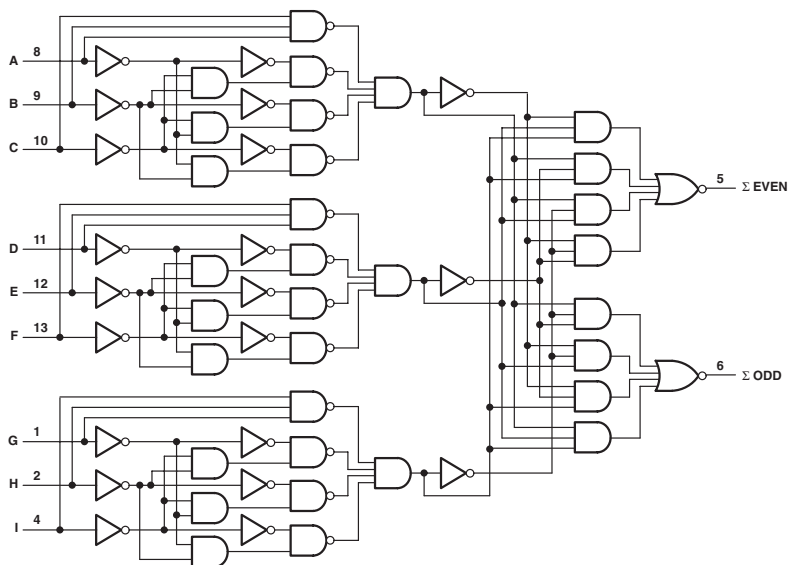
UNIT: ns



## 9-BIT PARITY GENERATORS/CHECKERS

- Generate Either Odd or Even Parity for Nine Data Lines
- Cascadable for n-Bit Parity

Logic Diagram (SN74)



**FUNCTION TABLE (SN74)**

NO. OF INPUTS A-1 THAT ARE HIGH	OUTPUTS	
	$\Sigma$ EVEN	$\Sigma$ ODD
0, 2, 4, 6, 8	H	L
1, 3, 5, 7, 9	L	H

**ELECTRICAL CHARACTERISTICS AND RECOMMENDED OPERATING CONDITIONS**

PARAMETER	MAX or MIN	LS	S	ALS	AS	F	SN74 HC	CD74 HC	CD74 HCT	CD74 AC	CD74 ACT	UNIT
$I_{CC}$	MAX	27	105	16	35	35	0.08	0.16	0.16	0.16	0.16	mA
$I_{OH}$	MAX	-0.4	-1	-2.6	-2	-1	-4	-4	-4	-24	-24	mA
$I_{OL}$	MAX	8	20	24	20	20	4	4	4	24	24	mA

**SWITCHING CHARACTERISTICS**

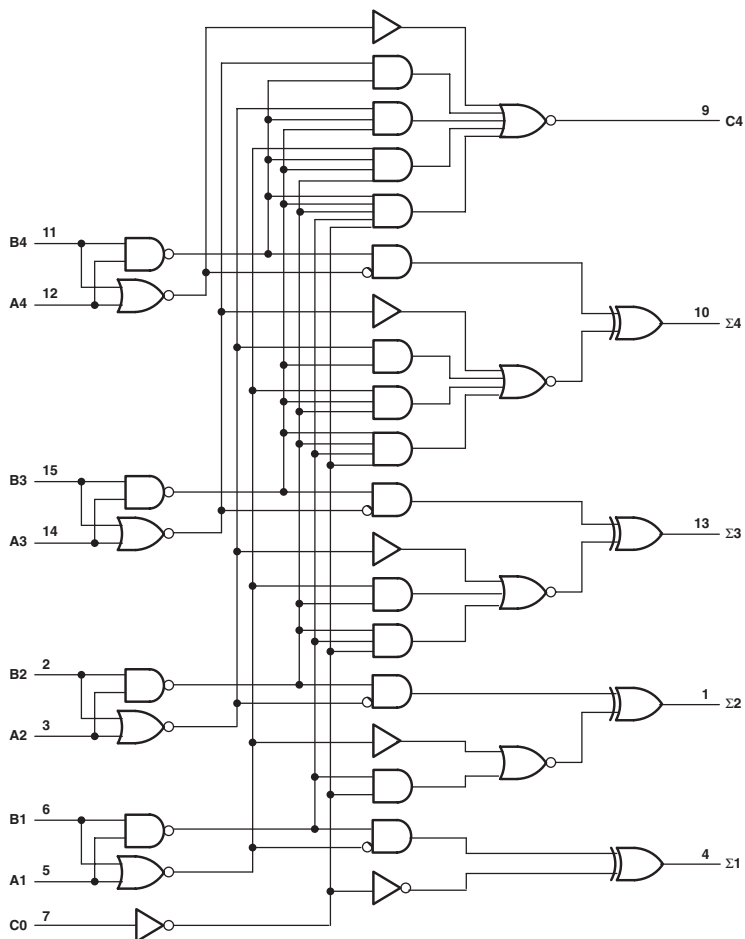
PARAMETER	INPUT	OUTPUT	MAX or MIN	LS	S	ALS	AS	F	SN74 HC	CD74 HC	CD74 HCT	CD74 AC	CD74 ACT
$t_{PLH}$	DATA	$\Sigma$ EVEN (CD74: $\Sigma E$ )	MAX	50	21	20	12	10	52	60	63	20	21.6
				45	18	20	11	11	52	60	63	20	21.6
$t_{PHL}$	DATA	$\Sigma$ ODD (CD74: $\Sigma D$ )	MAX	35	21	20	12	10	52	60	68	21	21.6
				50	18	22	11.5	11	52	60	68	21	21.6

UNIT: ns

## 4-BIT BINARY FULL ADDERS WITH FAST CARRY

- Full-Carry Look-Ahead Across the Four Bits

Logic Diagram (SN74)



FUNCTION TABLE (SN74)

INPUTS				OUTPUTS							
				WHEN C0 = L				WHEN C0 = H			
				WHEN C2 = L				WHEN C2 = H			
A1	B1	A2	B2	$\Sigma 1$	$\Sigma 2$	C2	$\Sigma 1$	$\Sigma 2$	C2		
A3	B3	A4	B4	$\Sigma 3$	$\Sigma 4$	C4	$\Sigma 3$	$\Sigma 4$	C4		
L	L	L	L	L	L	L	L	L	L	L	
H	L	L	L	L	L	L	L	L	L	L	
L	H	L	L	L	H	L	L	L	H	L	
H	H	L	L	L	L	L	L	H	H	L	
L	L	H	L	L	L	H	L	H	H	L	
H	L	H	L	L	H	H	L	L	L	H	
L	H	H	L	L	H	H	L	L	L	H	
H	H	H	L	L	L	L	H	L	L	H	
L	L	L	H	L	L	H	L	H	L	H	
H	L	L	H	H	H	L	L	H	L	H	
L	L	L	H	H	H	H	L	L	L	H	
L	H	L	H	H	H	L	L	L	L	H	
H	H	L	H	L	L	H	H	L	L	H	
L	L	H	H	L	L	H	H	L	L	H	
H	L	H	H	H	L	H	L	H	L	H	
L	H	H	H	H	L	H	L	H	L	H	
H	H	H	H	L	H	H	L	H	L	H	

## ELECTRICAL CHARACTERISTICS AND RECOMMENDED OPERATING CONDITIONS

PARAMETER		MAX or MIN	TTL	LS	S	F	CD74 HC	CD74 HCT	CD74 AC	CD74 ACT	UNIT
I <sub>CC</sub>		MAX	110	39	160	55	0.16	0.16	0.16	0.16	mA
I <sub>OH</sub>	Any OUTPUT except C4	MAX	-0.8	-0.4	-1	-1	-4	-4	-24	-24	mA
	C4	MAX	-0.4								
I <sub>OL</sub>	Any OUTPUT except C4	MAX	16	8	20	4	4	24	24	mA	
	C4	MAX	8								

## SWITCHING CHARACTERISTICS

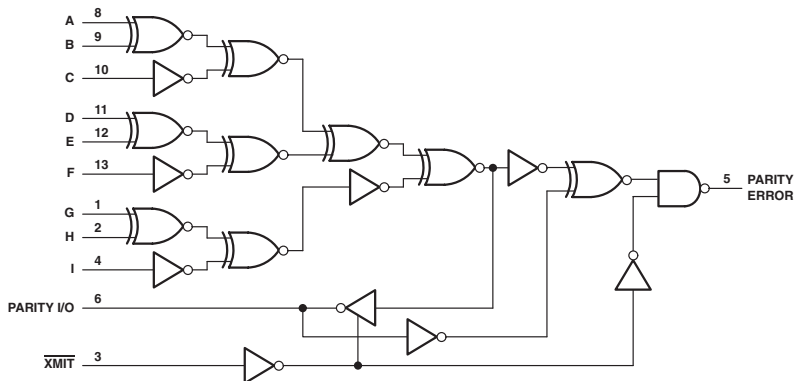
PARAMETER	INPUT	OUTPUT	MAX or MIN	TTL	LS	S	F	CD74 HC	CD74 HCT	CD74 AC	CD74 ACT
t <sub>PLH</sub>	C0 (CD74:C <sub>in</sub> )	Any $\Sigma$ (CD74:S <sub>j</sub> )	MAX	21	24	18	10.5	69	80	17.6	17.6
t <sub>PHL</sub>			MAX	21	24	18	10.5	69	80	17.6	17.6
t <sub>PLH</sub>	An or Bn	$\Sigma n$ (CD74:S <sub>n</sub> )	MAX	24	24	18	10.5	63	74	18.2	18.2
t <sub>PHL</sub>			MAX	24	24	18	10.5	63	74	18.2	18.2
t <sub>PLH</sub>	C0 (CD74:C <sub>in</sub> )	C4 (CD74:C <sub>out</sub> )	MAX	14	17	11	8.5	59	69	17.6	17.6
t <sub>PHL</sub>			MAX	16	22	11	8	59	69	17.6	17.6
t <sub>PLH</sub>	An or Bn		MAX	14	17	12	8.5	59	72	17.6	17.6
t <sub>PHL</sub>			MAX	16	17	12	8	59	72	17.6	17.6

UNIT: ns

## 9-BIT ODD/EVEN PARITY GENERATORS/CHECKERS WITH BUS DRIVER PARITY I/O PORT

- Generate Either Odd or Even Parity for Nine Data Lines
- Cascadable for n-Bit Parity
- Direct Bus Connection for Parity Generation or Checking by Using the Parity I/O Port
- 74AC11xxx: Product Available in Reduced-Noise Advanced CMOS (11000 Series)
- 74ACT11xxx: Product Available in Reduced-Noise Advanced CMOS (11000 Series)

Logic Diagram (SN74AS)



FUNCTION TABLE (SN74AS)

NUMBER OF INPUTS (A-I) THAT ARE HIGH	$\overline{\text{XMIT}}$	PARITY I/O	PARITY ERROR
0, 2, 4, 6, 8	l	H	H
1, 3, 5, 7, 9	l	L	H
0, 2, 4, 6, 8	h	h	H
	h	l	L
1, 3, 5, 7, 9	h	h	L
	h	l	H

h = high input level      l = low input level  
H = high output level    L = low output level

ELECTRICAL CHARACTERISTICS AND RECOMMENDED OPERATING CONDITIONS

PARAMETER		MAX or MIN	AS	AC 11	ACT 11	UNIT
I <sub>CC</sub>		MAX	50	0.08	0.08	mA
I <sub>OH</sub>	Parity error	MAX	-2	-24	-24	mA
	Parity I/O	MAX	-15	-24	-24	mA
I <sub>OL</sub>	Parity error	MAX	20	24	24	mA
	Parity I/O	MAX	48	24	24	mA

SWITCHING CHARACTERISTICS

PARAMETER	INPUT	OUTPUT	MAX or MIN	AS	AC 11	ACT 11
t <sub>PLH</sub>	A to I	Parity I/O	MAX	15	9	10.4
				14	107	12
t <sub>PLH</sub>	A to I	Parity error	MAX	16.5	10	11.3
				16.5	12	12.9
t <sub>PHL</sub>	Parity I/O	Parity error	MAX	9	6.2	7.7
				9	7.9	9.1
t <sub>PZH</sub>	$\overline{\text{XMIT}}$	Parity I/O	MAX	13	5.3	7.3
				16	8.9	11.4
t <sub>PZL</sub>				11.5	6.5	8.5
				10	6.3	7.8

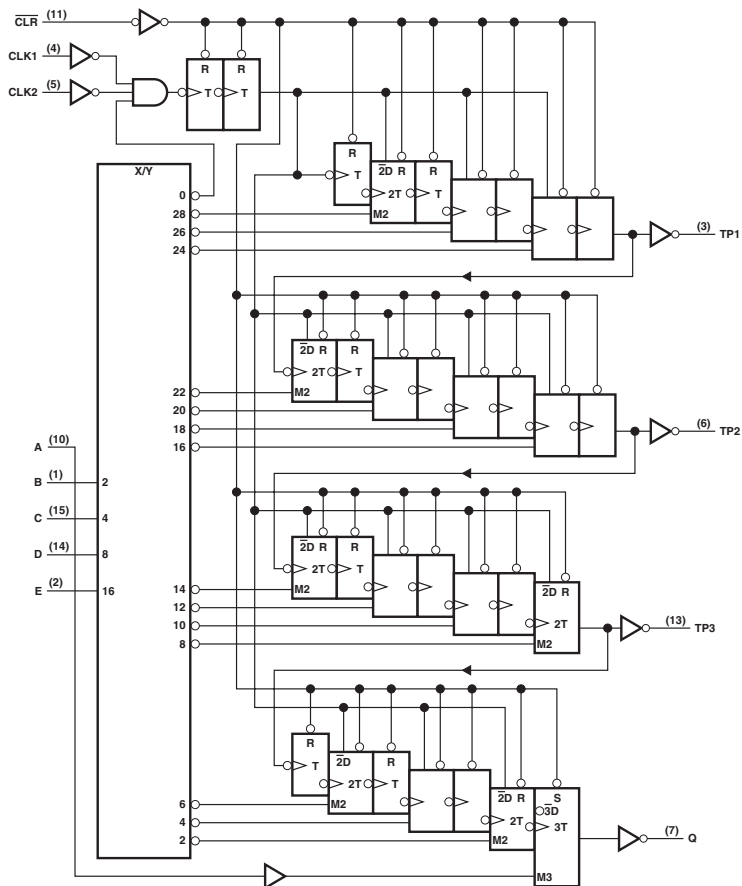
UNIT: ns

## PROGRAMMABLE FREQUENCY DIVIDERS/DIGITAL TIMERS

- Digitally Programmable from  $2^2$  to  $2^{31}$
- Easily Expandable
- Applications:

Frequency Division  
Digital Timing

Logic Diagram



FUNCTION TABLE

CLEAR	CLK 1	CLK 2	Q OUTPUT MODE
L	X	X	Cleared to L
H	≠	L	Count
H	L	≠	Count
H	H	X	Inhibit
H	X	H	Inhibit

## ELECTRICAL CHARACTERISTICS AND RECOMMENDED OPERATING CONDITIONS

PARAMETER	MAX or MIN	LS	UNIT
I <sub>CC</sub>	MAX	75	mA
I <sub>OH</sub> (Q only)	MAX	-1.2	V
I <sub>OL</sub> (Q only)	MAX	24	mA

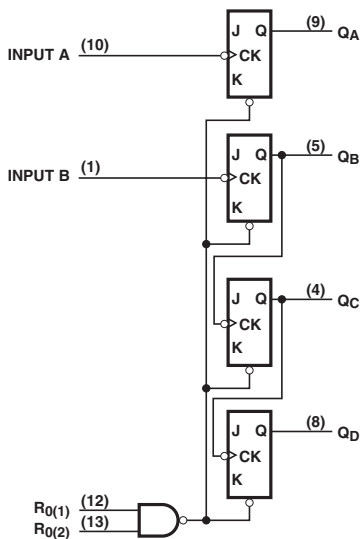
## TIMING REQUIREMENTS AND SWITCHING CHARACTERISTICS

PARAMETER	INPUT	OUTPUT	MAX or MIN	LS
f <sub>max</sub>	CLK		MIN	30
t <sub>PLH</sub>	CLK	Q	MAX	90
t <sub>PHL</sub>	CLK	Q	MAX	120
t <sub>PHL</sub>	CLR	Q	MAX	65

UNIT f<sub>max</sub>: MHz, other: ns



Logic Diagram



### COUNT SEQUENCE

COUNT	OUTPUTS			
	Q <sub>D</sub>	Q <sub>C</sub>	Q <sub>B</sub>	Q <sub>A</sub>
0	L	L	L	L
1	L	L	L	H
2	L	L	H	L
3	L	L	H	H
4	L	H	L	L
5	L	H	L	H
6	L	H	H	L
7	L	H	H	H
8	H	L	L	L
9	H	L	L	H
10	H	L	H	L
11	H	L	H	H
12	H	H	L	L
13	H	H	L	H
14	H	H	H	L
15	H	H	H	H

NOTE: Output Q<sub>A</sub> is connected to input B.

### RESET/COUNT FUNCTION TABLE

RESET INPUTS		OUTPUTS			
P <sub>0</sub> (1)	P <sub>0</sub> (2)	Q <sub>D</sub>	Q <sub>C</sub>	Q <sub>B</sub>	Q <sub>A</sub>
H	H	L	L	L	L
L	X				COUNT
X	L				COUNT

### ELECTRICAL CHARACTERISTICS AND RECOMMENDED OPERATING CONDITIONS

PARAMETER	MAX or MIN	TTL	LS	UNIT
I <sub>CC</sub>	MAX	39	15	mA
I <sub>OH</sub>	MAX	-0.8	-0.4	mA
I <sub>OL</sub>	MAX	16	8	mA

### TIMING REQUIREMENTS AND SWITCHING CHARACTERISTICS

PARAMETER	INPUT	OUTPUT	MAX or MIN	TTL	LS
f <sub>max</sub>	A	Q <sub>A</sub>	MIN	32	32
	B	Q <sub>B</sub>	MIN	16	16
t <sub>w</sub>	A	A, B	MIN	15	15
	B			30	30
	Reset			15	15
t <sub>SU</sub>			MIN	25	25
t <sub>PLH</sub>	A	Q <sub>A</sub>	MAX	16	16
t <sub>PHL</sub>				18	18
t <sub>PLH</sub>	A	Q <sub>B</sub>	MAX	70	70
t <sub>PHL</sub>				70	70
t <sub>PLH</sub>	B	Q <sub>B</sub>	MAX	16	16
t <sub>PHL</sub>				21	21
t <sub>PLH</sub>	B	Q <sub>C</sub>	MAX	32	32
t <sub>PHL</sub>				35	35
t <sub>PLH</sub>	B	Q <sub>D</sub>	MAX	51	51
t <sub>PHL</sub>				51	51

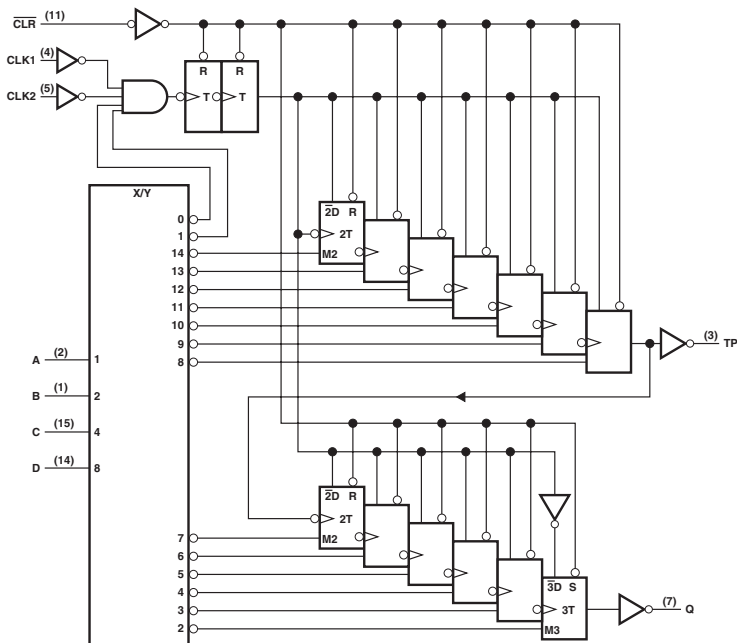
UNIT f<sub>max</sub>: MHz, other: ns

## PROGRAMMABLE FREQUENCY DIVIDERS/DIGITAL TIMERS

- Digitally Programmable from  $2^2$  to  $2^{15}$
- Easily Expandable
- Applications

Frequency Division  
Digital Timing

Logic Diagram



**FUNCTION TABLE**

PROGRAMMING INPUTS				FREQUENCY DIVISION			
				Q		TP	
D	C	B	A	BINARY	DECIMAL	BINARY	DECIMAL
L	L	L	L	Inhibit	Inhibit	Inhibit	Inhibit
L	L	L	H	Inhibit	Inhibit	Inhibit	Inhibit
L	L	H	L	2 <sup>2</sup>	4	2 <sup>9</sup>	512
L	L	H	H	2 <sup>3</sup>	8	2 <sup>9</sup>	512
L	H	L	L	2 <sup>4</sup>	16	2 <sup>9</sup>	512
L	H	L	H	2 <sup>5</sup>	32	2 <sup>9</sup>	512
L	H	H	L	2 <sup>6</sup>	64	2 <sup>9</sup>	512
L	H	H	H	2 <sup>7</sup>	128	Disabled	Low
H	L	L	L	2 <sup>8</sup>	256	2 <sup>2</sup>	4
H	L	L	H	2 <sup>9</sup>	512	2 <sup>3</sup>	8
H	L	H	L	2 <sup>10</sup>	1024	2 <sup>4</sup>	16
H	L	H	H	2 <sup>11</sup>	2048	2 <sup>5</sup>	32
H	H	L	L	2 <sup>12</sup>	4096	2 <sup>6</sup>	64
H	H	L	H	2 <sup>13</sup>	8192	2 <sup>7</sup>	128
H	H	H	L	2 <sup>14</sup>	16384	2 <sup>8</sup>	256
H	H	H	H	2 <sup>15</sup>	32768	2 <sup>9</sup>	512

**ELECTRICAL CHARACTERISTICS AND RECOMMENDED OPERATING CONDITIONS**

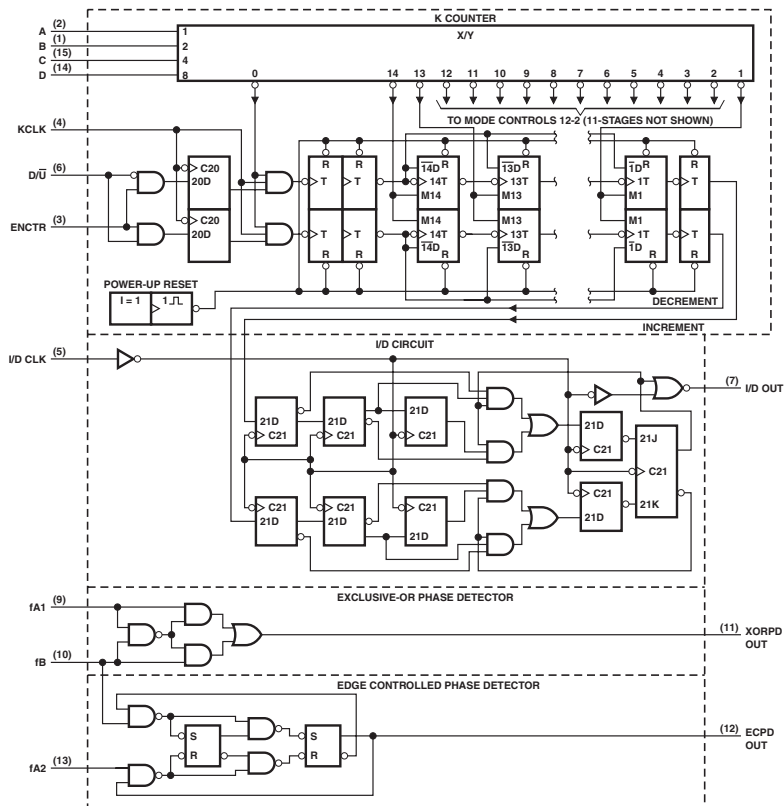
PARAMETER	MAX or MIN	LS	UNIT
I <sub>CC</sub>	MAX	50	mA
I <sub>OH</sub>	MAX	-1.2	V
I <sub>OL</sub>	MAX	24	mA

**TIMING REQUIREMENTS AND SWITCHING CHARACTERISTICS**

PARAMETER	INPUT	OUTPUT	MAX or MIN	LS
f <sub>max</sub>	CLK		MIN	30
t <sub>w</sub>	CLK 1 or 2		MIN	16
	CLR		MIN	35
t <sub>PLH</sub>	CLK 1 or 2	Q	MAX	90
t <sub>PHL</sub>				120
t <sub>PLH</sub>	$\overline{\text{CLR}}$	$\overline{\text{Q}}$	MAX	65

 UNIT f<sub>max</sub>: MHz, other: ns

Logic Diagram (SN74LS)



## FUNCTION TABLES (SN74LS)

**K COUNTER FUNCTION TABLE  
(DIGITAL CONTROL)**

D	C	B	A	MODULO (K)
L	L	L	L	Inhibited
L	L	L	H	2 <sup>2</sup>
L	L	H	L	2 <sup>4</sup>
L	L	H	H	2 <sup>5</sup>
L	H	L	L	2 <sup>6</sup>
L	H	L	H	2 <sup>7</sup>
L	H	H	L	2 <sup>8</sup>
L	H	H	H	2 <sup>9</sup>
H	L	L	L	2 <sup>10</sup>
H	L	L	H	2 <sup>11</sup>
H	L	H	L	2 <sup>12</sup>
H	L	H	H	2 <sup>13</sup>
H	H	L	L	2 <sup>14</sup>
H	H	L	H	2 <sup>15</sup>
H	H	H	L	2 <sup>16</sup>
H	H	H	H	2 <sup>17</sup>

**EXCLUSIVE OR PHASE DETECTOR**

$\phi A1$	$\phi B$	XORPD OUT
L	L	L
L	H	H
H	L	H
H	H	L

**EDGE-CONTROLLED PHASE DETECTOR**

$\phi A2$	$\phi B$	ECPD OUT
H or L	↓	H
↓	H or L	L
H or L	↑	No change
↑	H or L	No change

**ELECTRICAL CHARACTERISTICS AND RECOMMENDED OPERATING CONDITIONS**

PARAMETER	MAX or MIN	LS	CD74 HC	CD74 HCT	CD74 ACT	UNIT
$I_{CC}$	MAX	120	0.16	0.16	0.08	mA
$I_{OH}$	I/D OUT	MAX	-1	-6	-4	-24
	XDR, ECPD	MAX	-0.4			
$I_{OL}$	I/D OUT	MAX	24	4	4	24
	XDR, ECPD	MAX	8			

**TIMING REQUIREMENTS AND SWITCHING CHARACTERISTICS**

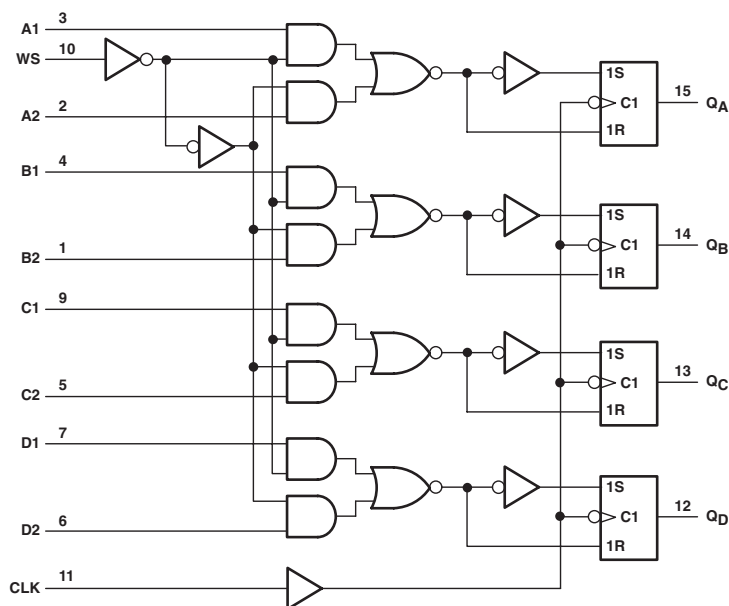
PARAMETER	INPUT	OUTPUT	MAX or MIN	LS	CD74 HC	CD74 HCT	CD74 ACT
$f_{max}$	K CLK ( $K_{CP}$ )	I/D OUT	MIN	32	20	20	45
	I/D CLK ( $I/D_{CP}$ )	I/D OUT		16	13	13	35
$t_w$	K CLK ( $K_{CP}$ )		MIN	16	24	24	8
	I/D CLK ( $I/D_{CP}$ )			33	38	38	9
$t_{SU}$	$\bar{D}/U$		MIN	30	30	30	17
	ENCLR ( $EN_{CTR}$ )			31	30	30	16
$t_h$	$\bar{D}/U$		MIN	0	0	0	7
	ENCLR ( $EN_{CTR}$ )			0	0	0	6
$t_{PLH}$	I/D CLK ↑	I/D OUT	MAX	25	53	53	24
$t_{PHL}$				35	53	53	24
$t_{PLH}$	$\phi A1$ or $\phi B$	other INPUT low	XORPD OUT	MAX	15	45	45
		other INPUT high			25	45	45
$t_{PHL}$	$\phi A1$ or $\phi B$	other INPUT low	XORPD OUT	MAX	25	45	45
		other INPUT high			25	45	45
$t_{PLH}$	$\phi B$ ↓	ECPD OUT	MAX	30	60	60	
$t_{PHL}$	$\phi A2$ ↓	ECPD OUT		30	60	60	

UNIT  $f_{max}$  : MHz, other : ns

## QUADRUPLE 2-INPUT MULTIPLEXERS WITH STORAGE

- Outputs Storage Register

Logic Diagram



**FUNCTION TABLE**

INPUTS		OUTPUTS			
WORD SELECT	CLOCK	Q <sub>A</sub>	Q <sub>B</sub>	Q <sub>C</sub>	Q <sub>D</sub>
L	↓	A1	B1	C1	D1
H	↓	A2	B2	C2	D2
X	H	Q <sub>A0</sub>	Q <sub>B0</sub>	Q <sub>C0</sub>	Q <sub>D0</sub>

† a1, a2, etc. = the level of steady-state input at A1, A2, etc.  
 Q<sub>A0</sub>, Q<sub>B0</sub>, etc. = the level of Q<sub>A</sub>, Q<sub>B</sub>, etc. entered on the most recent O transition of CLK

**ELECTRICAL CHARACTERISTICS AND RECOMMENDED OPERATING CONDITIONS**

PARAMETER	MAX or MIN	TTL	LS	AS	SN74 HC	UNIT
I <sub>CC</sub>	MAX	65	21	36	0.08	mA
I <sub>OL</sub>	MAX	16	8	20	4	mA
I <sub>OH</sub>	MAX	-0.8	-0.4	-2	-4	mA

**TIMING REQUIREMENTS AND SWITCHING CHARACTERISTICS**

PARAMETER	INPUT	OUTPUT	MAX or MIN	TTL	LS	AS	SN74 HC	
t <sub>w</sub>			MIN	20	20	8	27	
t <sub>su</sub>			Data	MIN	15	15	4.5	21
			Word Select	MIN	25	25	13	21
t <sub>h</sub>			Data	MIN	5	5	3.5	0
			Word Select	MIN	0	0	1	0
t <sub>PLH</sub>			CLK	GA to GD	MAX	27	27	9
t <sub>PHL</sub>	MAX	32			32	11	31	

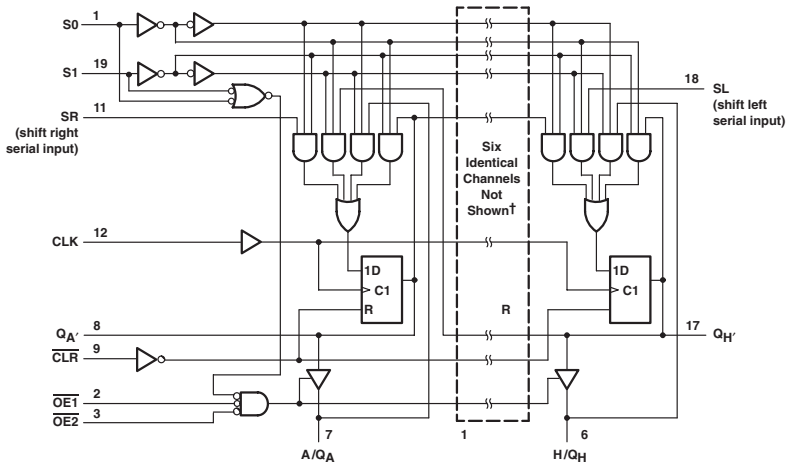
UNIT: ns



## 8-BIT UNIVERSAL SHIFT/STORAGE REGISTERS WITH 3-STATE OUTPUTS

- Multiplexed I/O Ports Provide Improved Bit Density
- Four Modes of Operation:
  - Hold (Store)
  - Shift Right
  - Shift Left
  - Load Data
- Operate with Outputs Enabled or at High Impedance
- 3-State Outputs Drive Bus Lines Directly
- Can Be Cascaded for n-Bit Word Lengths

Logic Diagram (SN74)



† I/O ports not shown: B/Q<sub>B</sub> (13), C/Q<sub>C</sub> (6), D/Q<sub>D</sub> (14), E/Q<sub>E</sub> (5), F/Q<sub>F</sub> (15), and G/Q<sub>G</sub> (4).

FUNCTION TABLE (SN74)

MODE	INPUTS								I/O PORTS								OUTPUTS	
	CLR	S1	S0	OE1†	OE2†	CLK	SL	SR	A/Q <sub>A</sub>	B/Q <sub>B</sub>	C/Q <sub>C</sub>	D/Q <sub>D</sub>	E/Q <sub>E</sub>	F/Q <sub>F</sub>	G/Q <sub>G</sub>	H/Q <sub>H</sub>	Q <sub>A</sub>	Q <sub>H</sub>
Clear	L	X	L	L	L	X	X	X	L	L	L	L	L	L	L	L	L	L
	L	L	X	L	L	X	X	X	X	X	X	X	X	X	X	X	X	X
Hold	H	L	L	L	L	X	X	X	Q <sub>A0</sub>	Q <sub>B0</sub>	Q <sub>C0</sub>	Q <sub>D0</sub>	Q <sub>E0</sub>	Q <sub>F0</sub>	Q <sub>G0</sub>	Q <sub>H0</sub>	Q <sub>A0</sub>	Q <sub>H0</sub>
	H	X	X	L	L	L	X	X	Q <sub>A0</sub>	Q <sub>B0</sub>	Q <sub>C0</sub>	Q <sub>D0</sub>	Q <sub>E0</sub>	Q <sub>F0</sub>	Q <sub>G0</sub>	Q <sub>H0</sub>	Q <sub>A0</sub>	Q <sub>H0</sub>
Shift Right	H	L	H	L	L	↑	X	H	H	Q <sub>An</sub>	Q <sub>Bn</sub>	Q <sub>Cn</sub>	Q <sub>Dn</sub>	Q <sub>En</sub>	Q <sub>Fn</sub>	Q <sub>Gn</sub>	H	Q <sub>Gn</sub>
	H	L	H	L	L	↑	X	L	L	Q <sub>An</sub>	Q <sub>Bn</sub>	Q <sub>Cn</sub>	Q <sub>Dn</sub>	Q <sub>En</sub>	Q <sub>Fn</sub>	Q <sub>Gn</sub>	L	Q <sub>Gn</sub>
Shift Left	H	H	L	L	L	↑	L	X	Q <sub>Bn</sub>	Q <sub>Cn</sub>	Q <sub>Dn</sub>	Q <sub>En</sub>	Q <sub>Fn</sub>	Q <sub>Gn</sub>	Q <sub>Hn</sub>	H	Q <sub>Bn</sub>	H
	H	H	L	L	L	↑	L	X	Q <sub>Bn</sub>	Q <sub>Cn</sub>	Q <sub>Dn</sub>	Q <sub>En</sub>	Q <sub>Fn</sub>	Q <sub>Gn</sub>	Q <sub>Hn</sub>	L	Q <sub>Bn</sub>	L
Load	H	H	H	X	X	↑	X	X	a	b	c	d	e	f	g	h	a	h

NOTE: a...h—the level of the steady-state input at inputs A through H, respectively. This data is loaded into the flip-flops while the flip-flop outputs are isolated from the I/O terminals.  
 † When one or both output-enable inputs are high, the eight I/O terminals are disabled to the high-impedance state; however, sequential operation/clearing of the register is not affected.

## ELECTRICAL CHARACTERISTICS AND RECOMMENDED OPERATING CONDITIONS

PARAMETER		MAX or MIN	LS	S	ALS	F	CD74 HC	CD74 HCT	CD74 AC	CD74 ACT	UNIT
I <sub>CC</sub>		MAX	53	225	40	95	0.16	0.16	0.16	0.16	mA
I <sub>OH</sub>	Q <sub>A</sub> thru Q <sub>H</sub>	MAX	-2.6	-6.5	-2.6	-3	-6	-4	-24	-24	mA
	Q <sub>A</sub> or Q <sub>H</sub> †										
I <sub>OL</sub>	Q <sub>A</sub> thru Q <sub>H</sub>	MAX	24	20	24	24	6	4	24	24	mA
	Q <sub>A</sub> or Q <sub>H</sub> †										

## TIMING REQUIREMENTS AND SWITCHING CHARACTERISTICS

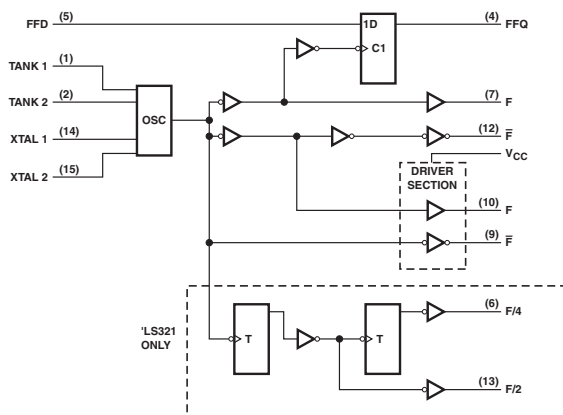
PARAMETER		INPUT	OUTPUT	MAX or MIN	LS	S	ALS	F	CD74 HC	CD74 HCT	CD74 AC	CD74 ACT
f <sub>max</sub>				MIN	20	50	30	70	20	16	95	90
t <sub>w</sub>	CLK (CP) high			MIN	30	10	16.5	7	24	30	5.2	5.5
	CLK (CP) low				10	10	16.5	7	24	30	5.2	5.5
	CLR (MR)				20	10	10	7	15	22	5	5
t <sub>su</sub>	DATA "H"			MIN	20	7	16	5.5	36	30	4.5	4.5
	DATA "L"				20	5	6	5.5	36	30	4.5	4.5
	SELECT				35	15	20	8.5	36	41	9	9
	CLR (MR) INACTIVE				20	10	15	7	-	-	-	-
t <sub>h</sub>	DATA			MIN	0	5	0	2	0	0	0	0
	SELECT				10	5	0	0	0	0	0	0
†P <sub>LH</sub>	CLK (CD74: CP)	Q <sub>A</sub> or Q <sub>H</sub> (CD74: Q <sub>0</sub> or Q <sub>7</sub> )		MAX	33	20	15	10	60	68	12.9	12.9
†P <sub>HL</sub>					39	20	18	9.5	60	68	12.9	12.9
†P <sub>LH</sub>	CLK (CD74: CP)	Q <sub>A</sub> thru Q <sub>H</sub> (CD74: I/O <sub>0</sub> thru I/O <sub>7</sub> )		MAX	25	21	13	10	60	68	13.5	14.5
†P <sub>HL</sub>					39	21	19	12	60	68	13.5	14.5
†P <sub>HL</sub>	CLR	Q <sub>A</sub> or Q <sub>H</sub> (CD74: Q <sub>0</sub> or Q <sub>7</sub> )		MAX	40	21	22	10.5	60	69	11.2	12.2
†P <sub>HL</sub>	CLR	Q <sub>A</sub> thru Q <sub>H</sub> (CD74: I/O <sub>0</sub> thru I/O <sub>7</sub> )			40	24	22	15	60	69	13.9	18.6
†P <sub>ZH</sub>	OE1, OE2	Q <sub>A</sub> thru Q <sub>H</sub>		MAX	21	18	16	9	47	48	14.9	14.9
†P <sub>ZL</sub>					30	18	22	11	39	45	14.9	14.9
†P <sub>HZ</sub>	OE1, OE2	Q <sub>A</sub> thru Q <sub>H</sub>		MAX	20	12	8	7	56	56	14.9	14.9
†P <sub>ZL</sub>					15	12	15	6.5	47	48	14.9	14.9

UNIT f<sub>max</sub>: MHz, other: ns

## CRYSTAL-CONTROLLED OSCILLATORS

- Crystal-Controlled Oscillator Operation from 1MHz to 20MHz
- Complementary Outputs

Logic Diagram



## ELECTRICAL CHARACTERISTICS AND RECOMMENDED OPERATING CONDITIONS

PARAMETER		MAX or MIN	LS	UNIT
I <sub>CC</sub>		MAX	75	mA
I <sub>OH</sub>	F' or $\overline{F}$	MAX	-24	mA
	F, $\overline{F}$ , F/2, $\overline{F}/4$	MAX	-0.4	mA
I <sub>OL</sub>	F' or $\overline{F}$	MAX	24	mA
	F, $\overline{F}$ , F/2, $\overline{F}/4$	MAX	8	mA

## TIMING REQUIREMENTS AND SWITCHING CHARACTERISTICS

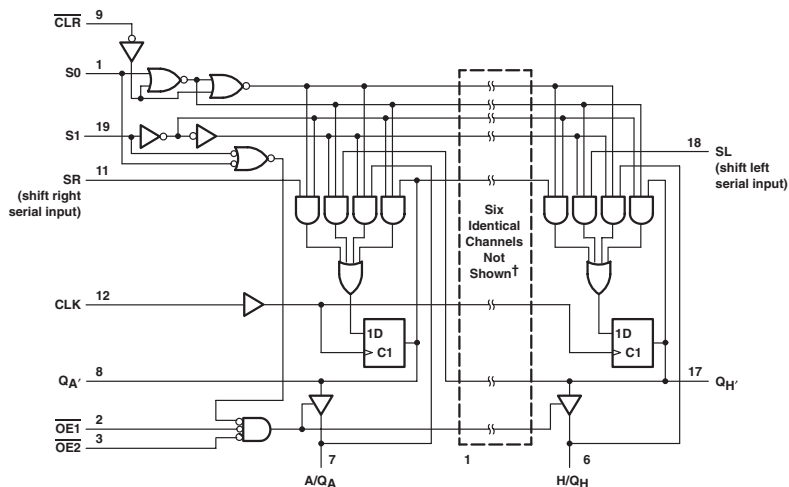
PARAMETER	INPUT	OUTPUT	MAX or MIN	LS
f <sub>max</sub>		F/2	MIN	10
		F/4	MAX	5
		ANY	MIN	20
t <sub>r</sub>		F, F'	MAX	14
		ANY	MAX	40
t <sub>f</sub>		F, F'	MAX	10
	ANY	MAX	20	

UNIT f<sub>max</sub> : MHz, other : ns

## 8-BIT UNIVERSAL SHIFT/STORAGE REGISTERS WITH SYNCHRONOUS CLEAR AND 3-STATE OUTPUTS

- Multiplexed I/O Ports Provide Improved Bit Density
- Four Modes of Operation:
  - Hold (Store)
  - Shift Right
  - Shift Left
  - Load Data
- 3-State Outputs Drive Bus Lines Directly
- Can Be Cascaded for n-Bit Word Lengths

Logic Diagram (SN74ALS)



† I/O ports not shown: B/Q<sub>B</sub> (13), C/Q<sub>C</sub> (6), D/Q<sub>D</sub> (14), E/Q<sub>E</sub> (5), F/Q<sub>F</sub> (15), and G/Q<sub>G</sub> (4).

FUNCTION TABLE (SN74)

MODE	INPUTS							I/O BOND								OUTPUTS		
	CLR	SELECT		OUTPUT CONTROL		CLK	SREAL		A/QA	B/QB	C/QC	C/QD	C/QE	C/QF	C/QG	H/QH	QA'	QH'
		S1	S0	OE1	OE2		SL	SR										
Clear	L L	X L	L X	L L	L L	↑ ↑	X X	X X	L L	L L	L L	L L	L L	L L	L L	L L	L L	L L
Hold	H H	L X	L X	L L	L L	X L	X X	X X	QA0 QA0	QB0 QB0	QC0 QC0	QD0 QD0	QE0 QE0	QF0 QF0	QG0 QG0	QH0 QH0	QA0 QA0	QH0 QH0
Shift Right	H H	L L	H H	L L	L L	↑ ↑	X X	H L	H L	QA QA	QB QB	QC QC	QD QD	QE QE	QF QF	QG QG	H L	QA QA
Shift Left	H H	H H	L L	L L	L L	↑ ↑	H L	X X	QB QB	QC QC	QD QD	QE QE	QF QF	QG QG	QH QH	L L	QB QB	H L
Load	H	H	H	X	X	↑	X	X	a	b	c	d	e	f	g	h	a	h

† a ...h level of the steady-state input at inputs A through H, respectively. This data is loaded into the flip-flops while the flip-flop outputs are isolated from the I/O terminals.

## ELECTRICAL CHARACTERISTICS AND RECOMMENDED OPERATING CONDITIONS

PARAMETER	MAX or MIN	LS	ALS	CD74 AC	CD74 ACT	UNIT
Icc	MAX	225	40	0.16	0.16	mA
Ioh	QA' or QH'	-0.5	-0.4	-24	-24	mA
		-6.5	-2.6	-24	-24	mA
Iol	QA' or QH'	6	8	24	24	mA
		20	24	24	24	mA

## TIMING REQUIREMENTS AND SWITCHING CHARACTERISTICS

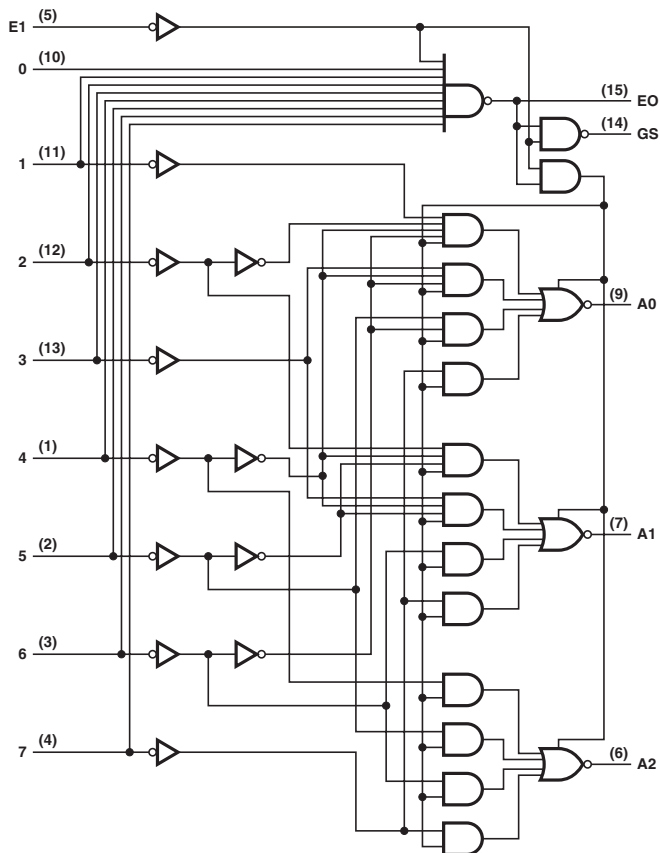
PARAMETER	INPUT	OUTPUT	MAX or MIN	LS	ALS	CD74 AC	CD74 ACT
fmax			MIN	25	17	95	90
tw	CLK		MIN	30	16.5	5.2	5.5
	CLR			20	-	5	5
tsu	DATA H		MIN	20	16	4.5	4.5
	DATA L			20	6	4.5	4.5
	SELECT			-	20	9	9
	CLR			-	20	5.5	5.5
th	SELECT		MIN	-	0	0	0
	DATA			0	0	0	0
TPLH	CLK	QA' or QB'	MAX	33	15	12.9	12.9
TPHL				39	18	12.9	12.9
TPLH	CLK	QA thru QH	MAX	25	13	13.5	14.5
TPHL				39	19	13.5	14.5
TPZH	OE1	QA thru QH	MAX	21	16	14.9	14.9
TPZL	OE1	QA thru QH		30	22	14.9	14.9
TPHZ	OE1	QA thru QH	MAX	20	8	14.9	14.9
TPLZ				15	15	14.9	14.9
TPZH	OE2	QA thru QH	MAX	21	16	14.9	14.9
TPZL				30	22	14.9	14.9
TPHZ	OE2	QA thru QH	MAX	20	8	14.9	14.9
TPLZ				15	15	14.9	14.9

UNIT fmax : MHz, other : ns

## 8-LINE TO 3-LINE PRIORITY ENCODERS WITH 3-STATE OUTPUTS

- 3-State Outputs Drive Bus Lines Directly
- Encodes 8 Data Lines to 3-Line Binary (Octal)

Logic Diagram



**FUNCTION TABLE**

E1	INPUTS							OUTPUTS					
	0	1	2	3	4	5	6	7	A2	A1	A0	GS	E0
H	X	X	X	X	X	X	X	X	Z	Z	Z	H	H
L	H	H	H	H	H	H	H	H	Z	Z	Z	H	L
L	X	X	X	X	X	X	X	L	L	L	L	L	H
L	X	X	X	X	X	L	H	H	L	L	H	L	H
L	X	X	X	X	L	H	H	H	L	H	H	L	H
L	X	X	X	L	H	H	H	H	H	L	L	L	H
L	X	X	L	H	H	H	H	H	H	L	H	L	H
L	X	L	H	H	H	H	H	H	H	H	L	L	H
L	L	H	H	H	H	H	H	H	H	H	H	L	H

**ELECTRICAL CHARACTERISTICS AND RECOMMENDED OPERATING CONDITIONS**

PARAMETER		MAX or MIN	LS	UNIT
Icc		MAX	25	mA
I <sub>OH</sub>	A0, A1, A2	MAX	-2.6	mA
	E0, ES	MAX	-0.4	mA
I <sub>OL</sub>	A0, A1, A2	MAX	24	mA
	E0, ES	MAX	8	mA

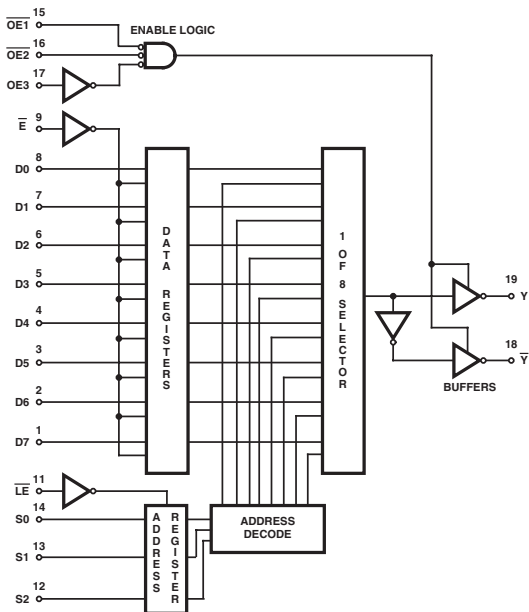
**SWITCHING CHARACTERISTICS**

PARAMETER	INPUT	OUTPUT	MAX or MIN	LS
$t_{PLH}$	1 to 7	A0, A1, A2	MAX	35
$t_{PHL}$			MAX	35
$t_{PLH}$	0 to 7	E0	MAX	18
$t_{PHL}$			MAX	40
$t_{PLH}$	0 to 7	GS	MAX	55
$t_{PHL}$			MAX	21

UNIT: ns



## 8-LINE TO 1-LINE DATA SELECTORS/MULTIPLEXERS/TRANSPARENT/REGISTERS WITH 3-STATE OUTPUTS

Logic Diagram  
(CD74)

FUNCTION TABLE (SN74)

INPUTS			OUTPUT ENABLES			OUTPUTS		
SELECT†	DC		G1	G2	G3	W	Y	
X	X	X	X	H	X	X	Z	Z
X	X	X	X	X	H	X	Z	Z
X	X	X	X	X	X	L	Z	Z
L	L	L	L	L	L	H	D0	D0
L	L	L	H	L	L	H	D0n	D0n
L	L	H	L	L	L	H	D1	D1
L	L	H	H	L	L	H	D1n	D1n
L	H	L	L	L	L	H	D2	D2
L	H	L	H	L	L	H	D2n	D2n
L	H	H	L	L	L	H	D3	D3
L	H	H	H	L	L	H	D3n	D3n
H	L	L	L	L	L	H	D4	D4
H	L	L	H	L	L	H	D4n	D4n
H	L	H	L	L	L	H	D5	D5
H	L	H	H	L	L	H	D5n	D5n
H	H	L	L	L	L	H	D6	D6
H	H	L	H	L	L	H	D6n	D6n
H	H	H	L	L	L	H	D7	D7
H	H	H	H	L	L	H	D7n	D7n

## NOTES:

H = High Voltage Level (Steady State), L = Low Voltage Level (Steady State), X = Don't Care, Z = High Impedance State (Off State), D0n ... D7n = the level of steady-state inputs D0 through D7, respectively, before the most recent low-to-high transition of data control.

† This column shows the input address setup with  $\overline{LE}$  low.

TRUTH TABLE (CD74)

INPUTS							OUTPUTS	
SELECT (NOTE 3)			ENABLE DATA	OUTPUT ENABLES				
S2	S1	S0	$\overline{E}$	$\overline{OE1}$	$\overline{OE2}$	$\overline{OE3}$	$\overline{Y}$	Y
X	X	X	X	H	X	X	Z	Z
X	X	X	X	X	H	X	Z	Z
X	X	X	X	X	X	L	Z	Z
X	X	X	X	X	X	L	Z	Z
L	L	L	L	L	L	H	D0	D0
L	L	L	L	L	L	H	D0n	D0n
L	L	L	L	L	L	H	D1	D1
L	L	L	L	L	L	H	D1n	D1n
L	L	L	L	L	L	H	D2	D2
L	L	L	L	L	L	H	D2n	D2n
L	L	L	L	L	L	H	D3	D3
L	L	L	L	L	L	H	D3n	D3n
L	L	L	L	L	L	H	D4	D4
L	L	L	L	L	L	H	D4n	D4n
L	L	L	L	L	L	H	D5	D5
L	L	L	L	L	L	H	D5n	D5n
L	L	L	L	L	L	H	D6	D6
L	L	L	L	L	L	H	D6n	D6n
L	L	L	L	L	L	H	D7	D7
L	L	L	L	L	L	H	D7n	D7n

H = High Voltage Level (Steady State); L = Low Voltage Level (Steady State); X = Don't Care; Z = High Impedance State (Off State); D0n ... D7n = the level of steady-state inputs D0 through D7, respectively, before the most recent low-to-high transition of data control.

## NOTE:

- This column shows the input address setup with  $\overline{CE}$  low.

## ELECTRICAL CHARACTERISTICS AND RECOMMENDED OPERATING CONDITIONS

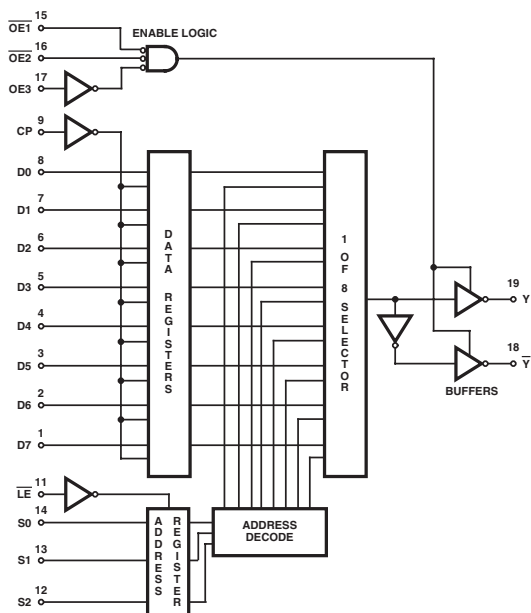
PARAMETER	MAX or MIN	LS	SN74 HC	CD74 HC	CD74 HCT	UNIT
I <sub>CC</sub>	MAX	46	0.08	0.16	0.16	mA
I <sub>OH</sub>	MAX	-2.6	-6	-6	-4	mA
I <sub>OL</sub>	MAX	24	6	6	4	mA

## TIMING REQUIREMENTS AND SWITCHING CHARACTERISTICS

PARAMETER	INPUT	OUTPUT	MAX or MIN	LS	SN74 HC	CD74 HC	CD74 HCT
t <sub>su</sub>			MAX	15	19	15	15
t <sub>h</sub>			MAX	15	5	14	14
t <sub>PLH</sub>	D0 thru D7	Y	MAX	36	59	63	71
t <sub>PHL</sub>	D0 thru D7	Y	MAX	35	59	63	71
t <sub>PLH</sub>	D0 thru D7	W (CD74: $\overline{Y}$ )	MAX	27	59	63	71
t <sub>PHL</sub>	D0 thru D7	W (CD74: $\overline{Y}$ )	MAX	44	59	63	71
t <sub>PLH</sub>	$\overline{DC}$	Y	MAX	42	68	75	81
t <sub>PHL</sub>	(CD74: $\overline{E}$ )	Y	MAX	39	68	75	81
t <sub>PLH</sub>	$\overline{DC}$	W	MAX	33	68	75	81
t <sub>PHL</sub>	(CD74: $\overline{E}$ )	W (CD74: $\overline{Y}$ )	MAX	50	68	75	81

UNIT:ns

Logic Diagram  
(CD74)



FUNCTION TABLE (SN74)

INPUTS				OUTPUTS				
SELECT†			CLK	OUTPUT ENABLES				
C2	C1	C0		G1	G2	G3	W	Y
X	X	X	X	H	X	X	Z	Z
X	X	X	X	X	H	X	Z	Z
X	X	X	X	X	X	L	Z	Z
L	L	L	↑	L	L	H	D0	D0
L	L	L	HorL	L	L	H	D0n	D0n
L	L	H	↑	L	L	H	D1	D1
L	L	H	HorL	L	L	H	D1n	D1n
L	H	L	↑	L	L	H	D2	D2
L	H	L	HorL	L	L	H	D2n	D2n
L	H	H	↑	L	L	H	D3	D3
L	H	H	HorL	L	L	H	D3n	D3n
H	L	L	↑	L	L	H	D4	D4
H	L	L	HorL	L	L	H	D4n	D4n
H	L	H	↑	L	L	H	D5	D5
H	L	H	HorL	L	L	H	D5n	D5n
H	H	L	↑	L	L	H	D6	D6
H	H	L	HorL	L	L	H	D6n	D6n
H	H	H	↑	L	L	H	D7	D7
H	H	H	HorL	L	L	H	D7n	D7n

## NOTES:

H = High Voltage Level (Steady State), L = Low Voltage Level (Steady State), ↑ = Transition from Low to High Level, X = Don't Care, Z = High Impedance State (Off State), D0n ... D7n = the level of steady-state inputs D0 through D7, respectively, before the most recent low-to-high transition of data control.

† This column shows the input address setup with  $\overline{LE}$  low.

TRUTH TABLE (CD74)

INPUTS							OUTPUTS	
SELECT (NOTE 3)			CLOCK	OUTPUT ENABLES			$\overline{Y}$	Y
S2	S1	S0	CP	OE1	OE2	OE3	$\overline{Y}$	Y
X	X	X	X	H	X	X	Z	Z
X	X	X	X	X	H	X	Z	Z
X	X	X	X	X	X	L	Z	Z
L	L	L	↑	L	L	H	D0	D0
L	L	L	HorL	L	L	H	D0n	D0n
L	L	L	↑	L	L	H	D1	D1
L	L	L	HorL	L	L	H	D1n	D1n
L	L	L	↑	L	L	H	D2	D2
L	L	L	HorL	L	L	H	D2n	D2n
L	L	L	↑	L	L	H	D3	D3
L	L	L	HorL	L	L	H	D3n	D3n
L	L	L	↑	L	L	H	D4	D4
L	L	L	HorL	L	L	H	D4n	D4n
L	L	L	↑	L	L	H	D5	D5
L	L	L	HorL	L	L	H	D5n	D5n
L	H	L	↑	L	L	H	D6	D6
L	H	L	HorL	L	L	H	D6n	D6n
L	H	H	↑	L	L	H	D7	D7
L	H	H	HorL	L	L	H	D7n	D7n
H	L	L	↑	L	L	H	D4	D4
H	L	L	HorL	L	L	H	D4n	D4n
H	L	H	↑	L	L	H	D5	D5
H	L	H	HorL	L	L	H	D5n	D5n
H	H	L	↑	L	L	H	D6	D6
H	H	L	HorL	L	L	H	D6n	D6n
H	H	H	↑	L	L	H	D7	D7
H	H	H	HorL	L	L	H	D7n	D7n

H = High Voltage Level (Steady State); L = Low Voltage Level (Steady State); ↑ = Transition from Low to High Level; X = Don't Care; Z = High-Impedance State (Off State); D0n ... D7n = the level of steady-state inputs D0 through D7, respectively, before the most recent low-to-high transition of data control.

## NOTE:

- This column shows the input address setup with  $\overline{LE}$  low.

## ELECTRICAL CHARACTERISTICS AND RECOMMENDED OPERATING CONDITIONS

PARAMETER	MAX or MIN	LS	SN74 HC	CD74 HCT	UNIT
I <sub>CC</sub>	MAX	46	0.08	0.16	mA
I <sub>OH</sub>	MAX	-2.6	-6	-4	mA
I <sub>OL</sub>	MAX	24	6	4	mA

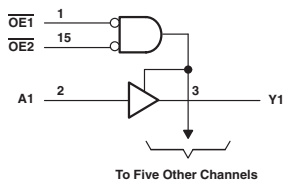
## TIMING REQUIREMENTS AND SWITCHING CHARACTERISTICS

PARAMETER	INPUT	OUTPUT	MAX or MIN	LS	SN74 HC	CD74 HCT
t <sub>su</sub>	D0 thru D7		MIN	15	19	11
t <sub>h</sub>	D0 thru D7		MIN	0	5	14
t <sub>PLH</sub>	CLK	Y	MAX	27	64	77
t <sub>PHL</sub>				50	64	77
t <sub>PLH</sub>	CLK	W (CD74 : Y)	MAX	36	64	77
t <sub>PHL</sub>				27	64	77
t <sub>PLH</sub>	S0, S1, S2	Y	MAX	45	71	89
t <sub>PHL</sub>				48	71	89
t <sub>PLH</sub>	S0, S1, S2	W (CD74 : Y)	MAX	54	71	89
t <sub>PHL</sub>				45	71	89

UNIT: ns

## HEX BUFFERS AND LINE DRIVERS WITH 3-STATE OUTPUTS

Logic Diagram (SN74)



FUNCTION TABLE (SN74)  
(each buffer/driver)

INPUTS			OUTPUT
$\overline{OE1}$	$\overline{OE2}$	A	Y
H	X	X	Z
X	H	X	Z
L	L	H	H
L	L	L	L

### ELECTRICAL CHARACTERISTICS AND RECOMMENDED OPERATING CONDITIONS

PARAMETER	MAX or MIN	TTL	LS	SN74 HC	CD74 HC	CD74 HCT	UNIT
$I_{CC}$	MAX	85	24	0.08	0.16	0.16	mA
$I_{OH}$	MAX	-5.2	-2.6	-6	-6	-4	mA
$I_{OL}$	MAX	32	24	6	6	4	mA

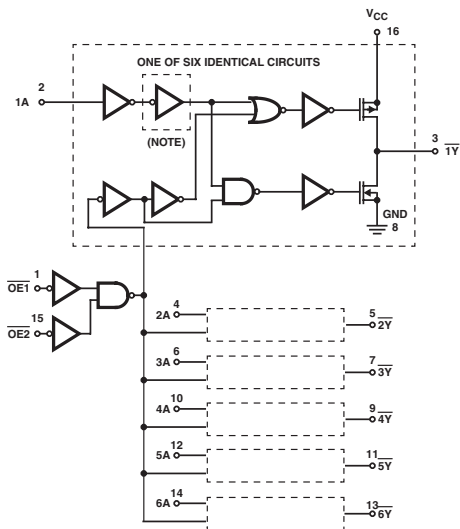
### SWITCHING CHARACTERISTICS

PARAMETER	INPUT	OUTPUT	MAX or MIN	TTL	LS	SN74 HC	CD74 HC	CD74 HCT
$t_{PLH}$	A	Y	MAX	16	15	24	32	38
$t_{PHL}$			MAX	22	18	24	32	38
$t_{PZH}$	$\overline{G}$ (CD74: $\overline{OE}$ )	Y	MAX	35	35	48	45	53
$t_{PZL}$			MAX	37	45	48	45	53
$t_{PHZ}$	$\overline{G}$ (CD74: $\overline{OE}$ )	Y	MAX	11	32	48	45	53
$t_{PLZ}$			MAX	27	35	48	45	53

UNIT: ns

## HEX BUFFERS AND LINE DRIVERS WITH 3-STATE OUTPUTS

Logic Diagram  
(CD74HC)



NOTE: Inverter not included in HC/HCT365.

FIGURE 1. LOGIC DIAGRAM FOR THE HC/HCT365 AND HC366 (OUTPUTS FOR HC/HCT365 ARE COMPLEMENTS OF THOSE SHOWN, I.E., 1Y, 2Y, ETC.)

FUNCTION TABLE (CD74)

INPUTS			OUTPUT
OE1	OE2	A	Y
L	L	L	H
L	L	H	L
X	H	X	Z
H	X	X	Z

NOTES:

H = High Voltage Level  
L = Low Voltage Level  
X = Don't Care  
Z = High Impedance (OFF) State

ELECTRICAL CHARACTERISTICS AND RECOMMENDED OPERATING CONDITIONS

PARAMETER	MAX or MIN	TTL	LS	SN74 HC	CD74 HC	UNIT
$I_{CC}$	MAX	77	21	0.08	160	mA
$I_{OH}$	MAX	-5.2	-2.6	-6	-6	mA
$I_{OL}$	MAX	32	24	6	6	mA

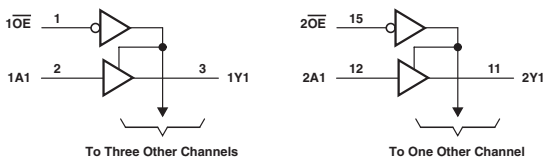
SWITCHING CHARACTERISTICS

PARAMETER	INPUT	OUTPUT	MAX or MIN	TTL	LS	SN74 HC	CD74 HC
$t_{PLH}$	A	Y (CD74 : $\bar{Y}$ )	MAX	17	15	24	33
$t_{PHL}$			MAX	16	18	24	33
$t_{PZH}$	$\bar{G}$ (CD74 : OE)	Y (CD74 : $\bar{Y}$ )	MAX	35	35	48	45
$t_{PZL}$			MAX	37	45	48	45
$t_{PHZ}$	$\bar{G}$ (CD74 : OE)	Y (CD74 : $\bar{Y}$ )	MAX	11	32	48	45
$t_{PLZ}$			MAX	27	35	48	45

UNIT:ns

## HEX BUFFERS AND LINE DRIVERS WITH 3-STATE OUTPUTS

Logic Diagram (SN74)

FUNCTION TABLE (SN74)  
(each buffer/driver)

INPUTS		OUTPUT
OE	A	Y
L	H	H
L	L	L
H	X	Z

## ELECTRICAL CHARACTERISTICS AND RECOMMENDED OPERATING CONDITIONS

PARAMETER	MAX or MIN	TTL	LS	SN74 HC	CD74 HC	CD74 HCT	AHC	AHCT	LV 3V	LV 5V	UNIT
$I_{CC}$	MAX	85	24	0.08	0.16	0.16	0.04	0.04	-	0.02	mA
$I_{OH}$	MAX	-5.2	-2.6	-6	-6	-4	-8	-8	-8	-16	mA
$I_{OL}$	MAX	32	24	6	6	4	8	8	8	16	mA

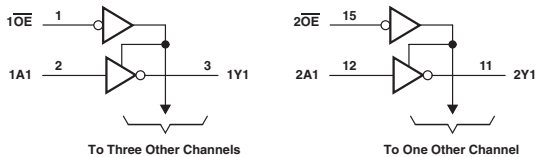
## SWITCHING CHARACTERISTICS

PARAMETER	INPUT	OUTPUT	MAX or MIN	TTL	LS	SN74 HC	CD74 HC	CD74 HCT	AHC	AHCT	LV 3V	LV 5V
$t_{PLH}$	A	Y	MAX	16	16	24	32	38	9	6.5	13.5	9
$t_{PHL}$			MAX	22	22	24	32	38	9	6.5	13.5	9
$t_{PZH}$	$\overline{OE}$	Y	MAX	35	35	48	45	53	10.5	9.5	16	10.5
$t_{PZL}$			MAX	47	40	48	45	53	10.5	8.5	16	10.5
$t_{PHZ}$	$\overline{OE}$	Y	MAX	11	30	48	45	53	10.5	9.5	15.5	10.5
$t_{PLZ}$			MAX	27	35	48	45	53	10.5	8.5	15.5	10.5

UNIT: ns

## HEX INVERTING BUFFERS AND LINE DRIVERS WITH 3-STATE OUTPUTS

Logic Diagram (SN74)

FUNCTION TABLE (SN74)  
(each buffer/driver)

INPUTS		OUTPUT
OE	A	Y
H	X	Z
L	H	L
L	L	H

## ELECTRICAL CHARACTERISTICS AND RECOMMENDED OPERATING CONDITIONS

PARAMETER	MAX or MIN	TTL	LS	SN74 HC	CD74 HC	CD74 HCT	UNIT
$I_{CC}$	MAX	77	21	0.08	0.16	0.16	mA
$I_{OH}$	MAX	-5.2	-2.6	-6	-6	-4	mA
$I_{OL}$	MAX	32	24	6	6	4	mA

## SWITCHING CHARACTERISTICS

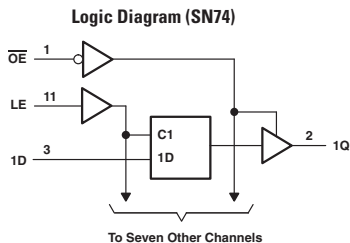
PARAMETER	INPUT	OUTPUT	MAX or MIN	TTL	LS	SN74 HC	CD74 HC	CD74 HCT
$t_{PLH}$	A	Y	MAX	17	15	24	32	45
$t_{PHL}$			MAX	16	18	24	32	45
$t_{PZH}$	OE	Y	MAX	35	35	48	45	53
$t_{PZL}$			MAX	37	45	48	45	53
$t_{PHZ}$	OE	Y	MAX	11	32	48	45	53
$t_{PLZ}$			MAX	27	35	48	45	53

UNIT: ns



## OCTAL TRANSPARENT D-TYPE LATCHES WITH 3-STATE OUTPUTS

- 3-State Bus-Driving True Outputs
- Buffered Control Inputs
- 74AC11xxx: Product Available in Reduced-Noise Advanced CMOS (11000 Series)
- 74ACT11xxx: Product Available in Reduced-Noise Advanced CMOS (11000 Series)



**FUNCTION TABLE (SN74)**

OUTPUT CONTROL	INPUTS		OUTPUT Q
	LE	D	
L	H	H	H
L	H	L	L
L	L	X	Q0
H	X	X	Z

**ELECTRICAL CHARACTERISTICS AND RECOMMENDED OPERATING CONDITIONS**

PARAMETER	MAX or MIN	LS	S	ALS	AS	F	SN74 HC	CD74 HC	SN74 HCT	CD74 HCT	SN74 BCT	ABT	LVTH 3V	UNIT
$I_{CC}$	MAX	40	190	27	100	55	0.08	0.16	0.08	0.16	60	30	5	mA
$I_{OH}$	MAX	-2.6	-6.5	-2.6	-15	-3	-6	-6	-6	-6	-15	-32	-32	mA
$I_{OL}$	MAX	24	20	24	48	24	6	6	6	6	64	64	64	mA

PARAMETER	MAX or MIN	AC 11	SN74 AC	CD74 AC	ACT 11	SN74 ACT	CD74 ACT	AHC	AHCT	LV 3V	LV 5V	LV-AT	LVC 3V	ALVCH 3V	UNIT
$I_{CC}$	MAX	0.08	0.04	0.16	0.08	0.04	0.16	0.04	0.04	-	0.02	0.02	0.01	0.02	mA
$I_{OH}$	MAX	-24	-24	-24	-24	-24	-24	-8	-8	-8	-16	-16	-24	-24	mA
$I_{OL}$	MAX	24	24	24	24	24	24	8	8	8	16	16	24	24	mA

## TIMING REQUIREMENTS AND SWITCHING CHARACTERISTICS

PARAMETER	INPUT	OUTPUT	MAX or MIN	LS	S	ALS	AS	F	SN74 HC	CD74 HC	SN74 HCT	CD74 HCT	SN74 BCT	ABT		
tw	High		MIN	15	6	10	4.5	6	20	24	25	24	7.5	3.3		
	Low		MIN	15	7.3	-	-	-	-	-	-	-	-	-		
tsu			MIN	5	0	10	2	2	13	15	13	20	2	1.9		
			th	MIN	20	10	7	3	3	12	5	10	15	5.5	1	
tPLH	D	Q	MAX	18	12	12	6	8	38	45	44	48	9.3	5.9		
			MAX	18	12	16	6	6	38	45	44	48	9.5	6.2		
tPHL			LE	Q	MAX	30	14	22	11.5	13	44	53	44	53	9.3	6.6
					MAX	30	18	23	7.5	8	44	53	44	53	8.8	7.2
tPZH	$\overline{DE}$	Q	MAX	28	15	18	6.5	12	38	45	44	53	11.8	5.2		
			MAX	36	18	20	9.5	8.5	38	45	44	53	12	6.7		
tPZL			$\overline{DE}$	Q	MAX	25	9	10	6.5	7.5	38	45	44	53	7	6.9
					MAX	20	12	12	7	6	38	45	44	53	7.4	6.5

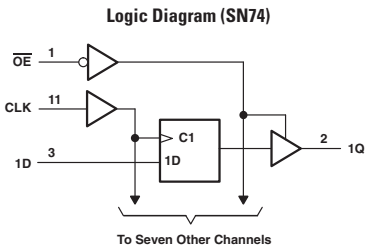
PARAMETER	INPUT	OUTPUT	MAX or MIN	LVTH 3V	AC 11	SN74 AC	CD74 AC	ACT 11	SN74 ACT	CD74 ACT	AHC	AHCT	LV 3V	LV 5V		
tw	High		MIN	3	4	4.5	4	5	8	4	5	6.5	5	5		
	Low		MIN	-	-	-	4	-	4	-	-	-	-	-		
tsu			MIN	1.1	3.5	4.5	2	3.5	8	2	4	1.5	4	4		
			th	MIN	1.4	2	1	3	3.5	1	3	1	3.5	1	1	
tPLH	D	Q	MAX	3.9	10.3	10.5	8.5	11.8	11.5	10.4	10.5	10.5	17	10.5		
			MAX	3.9	8.4	10.5	8.5	10	11.5	10.4	10.5	10.5	17	10.5		
tPHL			LE	Q	MAX	4.2	11.3	10.5	12	13	11.5	12.5	10.5	14.5	16.5	10.5
					MAX	4.2	10.2	10.5	12	12.2	11.5	12.5	10.5	14.5	16.5	10.5
tPZH	$\overline{DE}$	Q	MAX	4.8	10.8	9.5	10.5	12.5	10.5	13.5	11.5	13.5	17	11.5		
			MAX	4.8	9.7	9.5	10.5	12	10.5	13.5	11.5	13.5	17	11.5		
tPZL			$\overline{DE}$	Q	MAX	4.6	11.1	12.5	11.5	12.2	12.5	12.5	10.5	12	15	10.5
					MAX	4.5	8.7	10	11.5	10.1	10	12.5	10.5	12	15	10.5

PARAMETER	INPUT	OUTPUT	MAX or MIN	LV-AT	LVC 3V	ALVCH 3V		
tw	High		MIN	8.5	3.3	3.3		
	Low		MIN	-	-	-		
tsu			MIN	1.5	2	0.5		
			th	MIN	3.5	1.5	1.2	
tPLH	D	Q	MAX	11	6.8	3.6		
			MAX	11	6.8	3.6		
tPHL			LE	Q	MAX	15	7.6	3.3
					MAX	15	7.6	3.3
tPZH	$\overline{DE}$	Q	MAX	14	7.7	4.8		
			MAX	14	7.7	4.8		
tPZL			$\overline{DE}$	Q	MAX	12.5	7	4.4
					MAX	12.5	7	4.4

UNIT fmax : MHz, other : ns

## OCTAL EDGE-TRIGGERED D-TYPE FLIP-FLOPS WITH 3-STATE OUTPUTS

- Buffered Control Inputs
- 74AC11xxx: Product Available in Reduced-Noise Advanced CMOS (11000 Series)
- 74ACT11xxx: Product Available in Reduced-Noise Advanced CMOS (11000 Series)



**FUNCTION TABLE (SN74)**

OUTPUT CONTROL	INPUTS		OUTPUT Q
	CLK	D	
L	↑	H	H
L	↑	L	L
L	L	X	Q <sub>0</sub>
H	X	X	Z

**ELECTRICAL CHARACTERISTICS AND RECOMMENDED OPERATING CONDITIONS**

PARAMETER	MAX or MIN	LS	S	ALS	AS	F	SN74 HC	CD74 HC	SN74 HCT	CD74 HCT	SN74 BCT	ABT	LVTH 3V	UNIT
$I_{CC}$	MAX	40	160	31	128	86	0.08	0.16	0.08	0.16	60	30	5	mA
$I_{OH}$	MAX	-2.6	-6.5	-2.6	-15	-3	-6	-6	-6	-6	-15	-32	-32	mA
$I_{OL}$	MAX	24	20	24	48	24	6	6	6	6	64	64	64	mA

PARAMETER	MAX or MIN	AC 11	SN74 AC	CD74 AC	ACT 11	SN74 ACT	CD74 ACT	AHC	AHCT	LV 3V	LV 5V	LVC 3V	ALVCH 3V	UNIT
$I_{CC}$	MAX	0.08	0.04	0.16	0.08	0.04	0.16	0.04	0.04	-	0.02	0.01	0.01	mA
$I_{OH}$	MAX	-24	-24	-24	-24	-24	-24	-8	-8	-8	-16	-24	-24	mA
$I_{OL}$	MAX	24	24	24	24	24	24	8	8	8	16	24	24	mA

## TIMING REQUIREMENTS AND SWITCHING CHARACTERISTICS

PARAMETER	INPUT	OUTPUT	MAX or MIN	LS	S	ALS	AS	F	SN74 HC	CD74 HC	SN74 HCT	CD74 HCT	SN74 BCT	ABT
f <sub>max</sub>			MIN	35	75	35	125	70	24	20	25	20	70	150
t <sub>w</sub>	High Low		MIN	15	6	14	4	7	20	24	20	24	7	3.3
			MIN	15	7.3	14	3	6	20	24	20	24	-	3.3
t <sub>su</sub>			MIN	20	5	10	2	2	25	18	25	18	6.5	1.9
t <sub>h</sub>			MIN	0	2	0	2	2	5	5	10	5	0	2.1
t <sub>PLH</sub>	CLK (CD74: CP)	Q	MAX	28	15	12	8	10	45	50	45	50	10.6	6.2
t <sub>PHL</sub>			MAX	28	17	16	9	10	45	50	45	50	10	7.1
t <sub>PZH</sub>	OE	Q	MAX	26	15	17	6	12.5	38	45	38	45	12.3	5.2
t <sub>PZL</sub>			MAX	28	18	18	10	8.5	38	45	38	45	12.7	6.7
t <sub>PHZ</sub>	OE	Q	MAX	28	9	10	6	8	38	41	38	42	6.8	6.7
t <sub>PLZ</sub>			MAX	20	12	18	6	6.5	38	41	38	42	6.8	6.5

PARAMETER	INPUT	OUTPUT	MAX or MIN	LVTH 3V	AC 11	SN74 AC	CD74 AC	ACT 11	SN74 ACT	CD74 ACT	AHC	AHCT	LV 3V	LV 5V
f <sub>max</sub>			MIN	150	95	100	12.5	55	90	110	75	75	50	75
t <sub>w</sub>	High Low		MIN	3.3	5	4.5	4	9	5	4.5	5	6.5	5.5	5
			MIN	3.3	5	4.5	4	9	5	4.5	5	6.5	5.5	5
t <sub>su</sub>			MIN	1.5	2.5	4.5	2	3	5.5	2	3	2.5	4.5	3
t <sub>h</sub>			MIN	0.8	3.5	1.5	2	5.5	1.5	3	2	2.5	2	2
t <sub>PLH</sub>	CLK (CD74: CP)	Q	MAX	4.5	10.2	10.5	10.8	12.4	11.5	11.2	11.5	11.5	18.5	11.5
t <sub>PHL</sub>			MAX	4.2	10.1	10	10.8	13	11	11.2	11.5	11.5	18.5	11.5
t <sub>PZH</sub>	OE	Q	MAX	4.7	9.1	9.5	14.5	12.3	10.5	14.5	11	12.5	16.5	11
t <sub>PZL</sub>			MAX	4.7	9.4	9.5	14.5	12.3	10.5	14.5	11	12.5	16.5	11
t <sub>PHZ</sub>	OE	Q	MAX	4.6	11.2	12.5	14.5	13.2	12.5	14.5	10	12	16	10
t <sub>PLZ</sub>			MAX	4.5	9.2	10	14.5	10.8	10	14.5	10	12	16	10

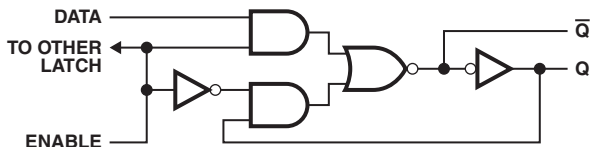
PARAMETER	INPUT	OUTPUT	MAX or MIN	LVC 3V	ALVCH 3V
f <sub>max</sub>			MIN	100	150
t <sub>w</sub>	High Low		MIN	3.3	3.3
			MIN	3.3	3.3
t <sub>su</sub>			MIN	2	1.8
t <sub>h</sub>			MIN	1.5	0.5
t <sub>PLH</sub>	CLK	Q	MAX	7	3.6
t <sub>PHL</sub>			MAX	7	3.6
t <sub>PZH</sub>	OE	Q	MAX	7.5	5.2
t <sub>PZL</sub>			MAX	7.5	5.2
t <sub>PHZ</sub>	OE	Q	MAX	6.5	4.5
t <sub>PLZ</sub>			MAX	6.5	4.5

UNIT f<sub>max</sub> : MHz, other : ns

## 4-BIT BISTABLE LATCHES

- Complementary Outputs ( $Q$ ,  $\bar{Q}$ )

Logic Diagram



FUNCTION TABLE

INPUTS		OUTPUTS Q	
D	C	L	H
L	H	L	H
H	H	H	L
X	L	$Q_0$	$\bar{Q}_0$

ELECTRICAL CHARACTERISTICS AND RECOMMENDED OPERATING CONDITIONS

PARAMETER	MAX or MIN	LS	SN74 HC	UNIT
$I_{CC}$	MAX	12	0.04	mA
$I_{OH}$	MAX	-0.4	-4	mA
$I_{OL}$	MAX	8	4	mA

TIMING REQUIREMENTS AND SWITCHING CHARACTERISTICS

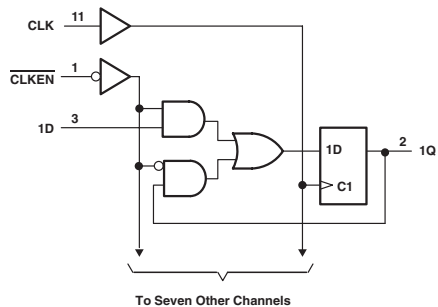
PARAMETER	INPUT	OUTPUT	MAX or MIN	LS	SN74 HC
$t_w$			MIN	20	20
$t_{su}$			MIN	20	25
$t_h$			MIN	0	5
$t_{PLH}$			MAX	27	30
$t_{PHL}$	D	Q	MAX	17	30
$t_{PLH}$			MAX	20	30
$t_{PHL}$	D	$\bar{Q}$	MAX	15	30
$t_{PLH}$			MAX	27	33
$t_{PHL}$			MAX	25	33
$t_{PLH}$	C	Q	MAX	30	33
$t_{PHL}$	C	$\bar{Q}$	MAX	15	33

UNIT: ns

## OCTAL D-TYPE FLIP-FLOPS WITH CLOCK ENABLE

- Individual Data Input to Each Flip-Flop
- 74ACT11xxx: Product Available in Reduced-Noise Advanced CMOS (11000 Series)

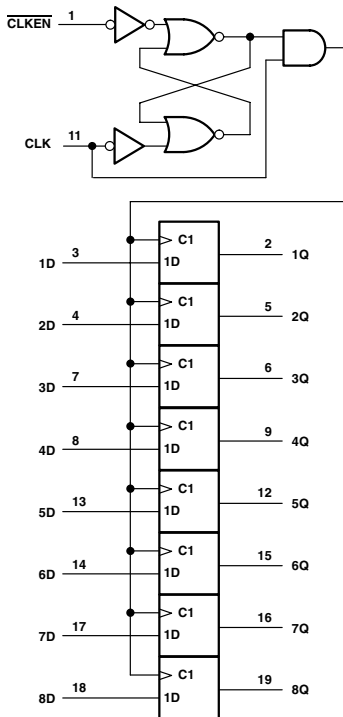
Logic Diagram (SN74ABT)



FUNCTION TABLE (SN74)

INPUTS			OUTPUTS	
CLKEN	CLOCK	DATA	Q	$\bar{Q}$
H	X	X	Q <sub>0</sub>	$\bar{Q}_0$
L	↑	H	H	L
L	↑	L	L	H
X	L	X	Q <sub>0</sub>	$\bar{Q}_0$

Logic Diagram (SN74HC)



## ELECTRICAL CHARACTERISTICS AND RECOMMENDED OPERATING CONDITIONS

PARAMETER	MAX or MIN	LS	F	SN74 HC	CD74 HC	SN74 HCT	CD74 HCT	ABT	AC 11	UNIT
I <sub>CC</sub>	MAX	28	90	0.08	0.16	0.08	0.16	30	0.08	mA
I <sub>OH</sub>	MAX	-0.4	-1	-4	-4	-4	-4	-32	-24	mA
I <sub>OL</sub>	MAX	8	20	4	4	4	4	64	24	mA

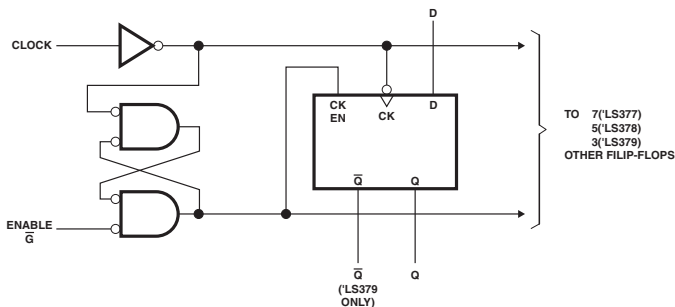
## TIMING REQUIREMENTS AND SWITCHING CHARACTERISTICS

PARAMETER	INPUT	OUTPUT	MAX or MIN	LS	F	SN74 HC	CD74 HC	SN74 HCT	CD74 HCT	ABT	AC 11
f <sub>max</sub>			MIN	30	110	20	20	17	16	150	100
t <sub>w</sub>			MIN	20	5	25	24	25	30	3.3	5
t <sub>su</sub>	DATA		MIN	20	2	25	18	15	18	2.5	4
		*CLKEN ACTIVE	MIN	25	2.5	25	-	15	-	3	6
		*CLKEN INACTIVE	MIN	10	4.5	25	18	15	18	3	6
			MIN	5	1	5	5	5	5	1.8	0
t <sub>PHL</sub>	CLK (CD74: CP)	Q	MAX	27	10	40	53	45	57	6.5	11.3
MAX			27	10.5	40	53	45	57	7.3	12.9	

UNIT f<sub>max</sub> : MHz, other : ns  
 \*CD74: E

## HEX D-TYPE FLIP-FLOPS WITH CLOCK ENABLE

Logic Diagram



FUNCTION TABLE

INPUTS			OUTPUTS	
$\bar{G}$	CLOCK	DATA	Q	$\bar{Q}$
H	X	X	$Q_0$	$\bar{Q}_0$
L	↑	H	H	L
L	↑	L	L	H
X	L	X	$Q_0$	$\bar{Q}_0$

ELECTRICAL CHARACTERISTICS AND RECOMMENDED OPERATING CONDITIONS

PARAMETER	MAX or MIN	LS	F	SN74 HC	UNIT
$I_{CC}$	MAX	22	45	0.08	mA
$I_{DH}$	MAX	-0.4	-1	-4	mA
$I_{OL}$	MAX	8	20	4	mA

TIMING REQUIREMENTS AND SWITCHING CHARACTERISTICS

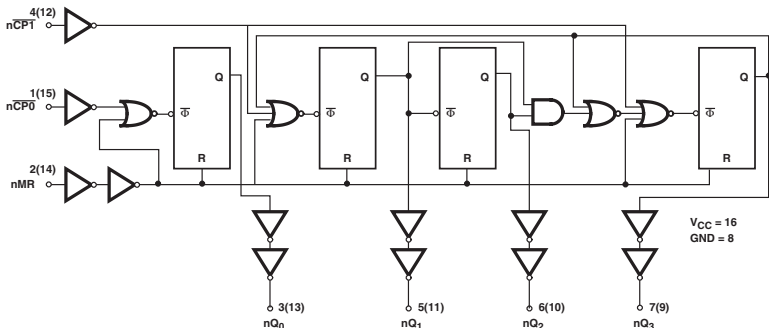
PARAMETER	INPUT	OUTPUT	MAX or MIN	LS	F	SN74 HC
$f_{max}$			MIN	30	110	20
$t_w$	CLK H		MIN	20	4	25
	CLK L		MIN	20	6	25
	DATA		MIN	20	5	25
$t_{su}$	$\bar{G}$ ACTIVE		MIN	25	3.5	25
	$\bar{G}$ INACTIVE		MIN	10	5	25
			MIN	5	0	5
$t_h$			MIN	5	0	5
$t_{PH}$	CLK	Q	MAX	27	6.7	40
$t_{PHL}$			MAX	27	6.1	40

UNIT  $f_{max}$  : MHz, other : ns

## DUAL 4-BIT DECADE COUNTERS

- Individual Clock for A and B Flip-Flops Provide Dual + 2 and + 5 Counters
- All Have Direct Clear for Each 4-Bit Counter
- Typical maximum Count Frequency: 35MHz
- Buffered Outputs Reduce Possibility of Collector Commutation

Logic Diagram (CD74)



FUNCTION TABLE (CD74)

BCD COUNT SEQUENCE FOR 1/2

COUNT	OUTPUTS			
	Q <sub>3</sub>	Q <sub>2</sub>	Q <sub>1</sub>	Q <sub>0</sub>
0	L	L	L	L
1	L	L	L	H
2	L	L	H	L
3	L	L	H	H
4	L	H	L	L
5	L	H	L	H
6	L	H	H	L
7	L	H	H	H
8	H	L	L	L
9	H	L	L	H

BI-QUINARY COUNT SEQUENCE FOR 1/2

COUNT	OUTPUTS			
	Q <sub>0</sub>	Q <sub>1</sub>	Q <sub>2</sub>	Q <sub>3</sub>
0	L	L	L	L
1	L	L	L	H
2	L	L	H	L
3	L	L	H	H
4	L	H	L	L
5	H	L	L	L
6	H	L	L	H
7	H	L	H	L
8	H	L	H	H
9	H	H	L	L

ELECTRICAL CHARACTERISTICS AND RECOMMENDED OPERATING CONDITIONS

PARAMETER	MAX or MIN	TTL	LS	SN74 HC	CD74 HC	CD74 HCT	UNIT
I <sub>CC</sub>	MAX	69	26	0.08	0.16	0.16	mA
I <sub>DH</sub>	MAX	-0.8	-0.4	-4	-4	-4	mA
I <sub>OL</sub>	MAX	16	8	4	4	4	mA

TIMING REQUIREMENTS AND SWITCHING CHARACTERISTICS

PARAMETER	INPUT	OUTPUT	MAX or MIN	TTL	LS	SN74 HC	CD74 HC	CD74 HCT
f <sub>max</sub>	nCKA (CD74: nCP <sub>0</sub> )	nQA (CD74: nQP <sub>0</sub> )	MIN	25	25	25	20	18
	nCKB (CD74: nCP <sub>1</sub> )	nQB (CD74: nQP <sub>1</sub> )	MIN	20	12.5	25	20	18
t <sub>w</sub>	nCKA (CD74: nCP <sub>0</sub> ) nCKB (CD74: nCP <sub>1</sub> ) *CLR H		MIN	20	20	20	24	29
			MIN	25	40	20	24	29
			MIN	20	20	20	15	20
t <sub>su</sub>			MIN	25	25	5	-	-
t <sub>PLH</sub>	nCKA (CD74: nCP <sub>0</sub> )	nQA (CD74: nQ <sub>0</sub> )	MAX	20	20	30	53	60
t <sub>PHL</sub>			MAX	20	20	30	53	60
t <sub>PLH</sub>	nCKA (CD74: nCP <sub>0</sub> )	nQC (CD74: nQ <sub>2</sub> )	MAX	60	60	72	-	126
t <sub>PHL</sub>			MAX	60	60	72	-	126
t <sub>PLH</sub>	nCKB (CD74: nCP <sub>1</sub> )	nQB (CD74: nQ <sub>1</sub> )	MAX	21	21	33	56	65
t <sub>PHL</sub>			MAX	21	21	33	56	65
t <sub>PLH</sub>	nCKB (CD74: nCP <sub>1</sub> )	nQC (CD74: nQ <sub>2</sub> )	MAX	39	39	46	74	83
t <sub>PHL</sub>			MAX	39	39	46	74	83
t <sub>PLH</sub>	nCKB (CD74: nCP <sub>1</sub> )	nQD (CD74: nQ <sub>3</sub> )	MAX	21	21	33	54	63
t <sub>PHL</sub>			MAX	21	21	33	54	63
t <sub>PHL</sub>	*CLR	Q	MAX	39	39	41	57	63

UNIT f<sub>max</sub>: MHz; other: ns

\*CD74: MR



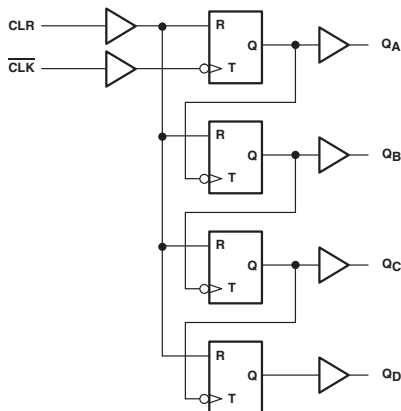
## DUAL 4-BIT BINARY COUNTERS

- Dual 4-Bit Binary Counter with Individual Clock
- All Have Direct Clear for Each 4-Bit Counter
- Typical maximum Count Frequency: 35MHz
- Buffered Outputs Reduce Possibility of Collector Commutation

FUNCTION TABLE (SN74)

COUNT	INPUTS			
	Q <sub>D</sub>	Q <sub>C</sub>	Q <sub>B</sub>	Q <sub>A</sub>
0	L	L	L	L
1	L	L	L	H
2	L	L	H	L
3	L	L	H	H
4	L	H	L	L
5	L	H	L	H
6	L	H	H	L
7	L	H	H	H
8	H	L	L	L
9	H	L	L	H
10	H	L	H	L
11	H	L	H	H
12	H	H	L	L
13	H	H	L	H
14	H	H	H	L
15	H	H	H	H

Logic Diagram (SN74)



ELECTRICAL CHARACTERISTICS AND RECOMMENDED OPERATING CONDITIONS

PARAMETER	MAX or MIN	TTL	LS	SN74 HC	CD74 HC	CD74 HCT	LV 3V	LV 5V	UNIT
I <sub>CC</sub>	MAX	64	26	0.08	0.16	0.16	-	0.02	mA
I <sub>OH</sub>	MAX	-0.8	-0.4	-4	-4	-4	-6	-12	mA
I <sub>OL</sub>	MAX	16	8	4	4	4	6	12	mA

TIMING REQUIREMENTS AND SWITCHING CHARACTERISTICS

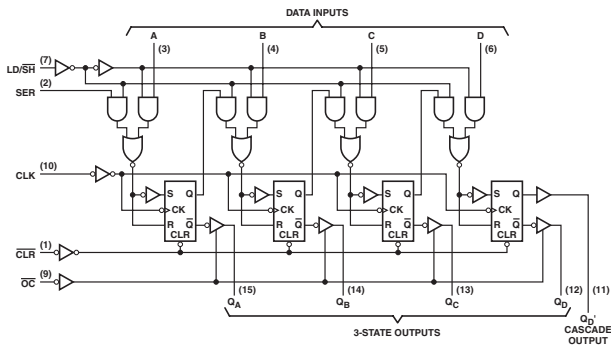
PARAMETER	INPUT	OUTPUT	MAX or MIN	TTL	LS	SN74 HC	CD74 HC	CD74 HCT	LV 3V	LV 5V
f <sub>max</sub>			MIN	25	25	25	20	18	35	75
t <sub>w</sub>	CLK	A	MIN	20	20	20	24	29	5	5
		B	MIN	25	40	20	24	29	5	5
	CLR H		MIN	20	20	20	24	24	5	5
t <sub>su</sub>			MIN	25	25	5	-	-	5	4
t <sub>PLH</sub>	CLKA (CD74:nCP)	QA	MAX	20	20	30	59	48	19	12
t <sub>PHL</sub>			MAX	20	20	30	59	48	19	12
t <sub>PLH</sub>	CLKB (CD74:nCP)	QD	MAX	60	60	72	86	93	26.5	16.5
t <sub>PHL</sub>			MAX	60	60	72	86	93	26.5	16.5
t <sub>PHL</sub>	CLR	Q	MAX	39	39	41	41	48	18	11.5

UNIT f<sub>max</sub>: MHz, other: ns

## CASCADABLE SHIFT REGISTERS

- 3-State Outputs
- Parallel-In, Parallel-Out Registers
- Low Power Dissipation: 75mW Typical (Enable)

Logic Diagram



FUNCTION TABLE

CLEAR	INPUTS				3-STATE OUTPUTS				CASCADE OUTPUT QD
	LOAD/SHIFT CONTROL	CLOCK	SERIAL	PARALLEL A B C D	QA	QB	QC	QD	
L	X	X	X	X X X X	L	L	L	L	L
H	H	H	X	X X X X	QA0	QB0	QC0	QD0	QD0
H	H	↓	X	a b c d	a	b	c	d	d
H	L	H	X	X X X X	QA0	QBn	QCn	QDn	QDn
H	L	↓	H	X X X X	H	QA n	QB n	QC n	QC n
H	L	↓	L	X X X X	L	QA n	QB n	QC n	QC n

## ELECTRICAL CHARACTERISTICS AND RECOMMENDED OPERATING CONDITIONS

PARAMETER	MAX or MIN	LS	UNIT
Icc	MAX	34	mA
Ioh	QA, QB, QC, QD	MAX	-2.6 mA
	QD'	MAX	-0.4 mA
Iol	QA, QB, QC, QD	MAX	24 mA
	QD'	MAX	8 mA

## TIMING REQUIREMENTS AND SWITCHING CHARACTERISTICS

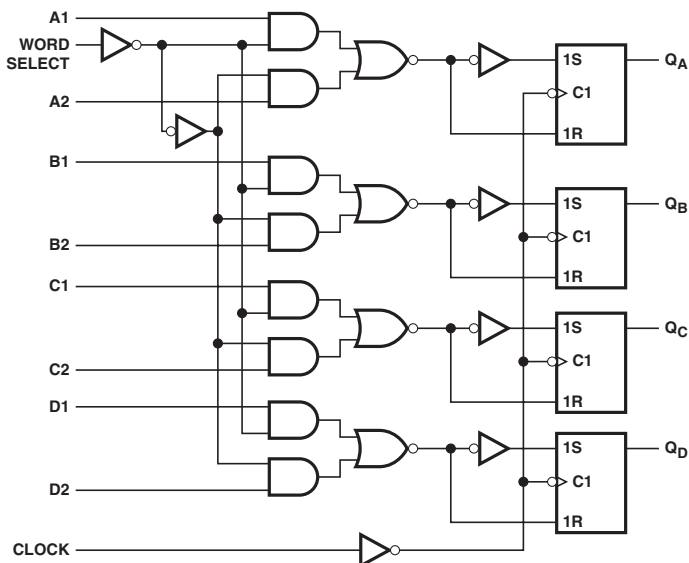
PARAMETER	INPUT	OUTPUT	MAX or MIN	LS
fmax			MIN	30
tw			MIN	16
tsu	LD/SR		MIN	40
	OTHER		MIN	20
th			MIN	10
TPLH	CLK	Q	MAX	30
TPHL			MAX	30

UNIT fmax : MHz, other : ns

## QUADRUPLE 2-INPUT MULTIPLEXERS WITH STORAGE

- Single-Rail Outputs ( $Q$ ,  $\bar{Q}$ )
- Select One of Two 4-Bit Data Sources and Stores Data Synchronously with System Clock

### Logic Diagram



### FUNCTION TABLE

INPUTS		OUTPUTS			
WORD SELECT	CLOCK	$Q_A$	$Q_B$	$Q_C$	$Q_D$
L	↑	A1	B1	C1	D1
H	↑	A2	B2	C2	D2
X	L	$\bar{Q}_{A0}$	$\bar{Q}_{B0}$	$\bar{Q}_{C0}$	$\bar{Q}_{D0}$

### ELECTRICAL CHARACTERISTICS AND RECOMMENDED OPERATING CONDITIONS

PARAMETER	MAX or MIN	LS	UNIT
$I_{CC}$	MAX	13	mA
$I_{OH}$	MAX	-0.4	mA
$I_{OL}$	MAX	8	mA

### TIMING REQUIREMENTS AND SWITCHING CHARACTERISTICS

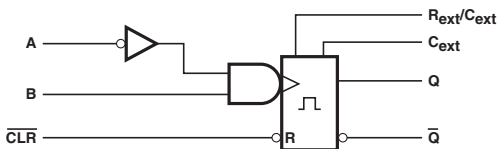
PARAMETER	INPUT	OUTPUT	MAX or MIN	LS
$t_w$			MIN	20
$t_{su}$	DATA		MIN	25
	WORD SELECT		MIN	45
$t_h$	DATA		MIN	0
	WORD SELECT		MIN	0
$t_{PLH}$	CLK	$Q$	MAX	27
$t_{PHL}$			MAX	32

UNIT: ns

## RETRIGGERABLE MONOSTABLE MULTIVIBRATORS

- Will Not Trigger from Clear

Logic Diagram (SN74LS)



FUNCTION TABLE (SN74LS)

CLR	INPUTS		OUTPUTS	
	A	B	Q	$\bar{Q}$
L	X	X	L	H
X	H	X	L	H
X	X	L	L	H
H	L	↑		
H	↓	H		

ELECTRICAL CHARACTERISTICS AND RECOMMENDED OPERATING CONDITIONS

PARAMETER	MAX or MIN	LS	CD74 HC	CD74 HCT	UNIT
$I_{CC}$	MAX	20	0.16	0.16	mA
$I_{OH}$	MAX	-0.4	-4	-4	mA
$I_{OL}$	MAX	8	4	4	mA

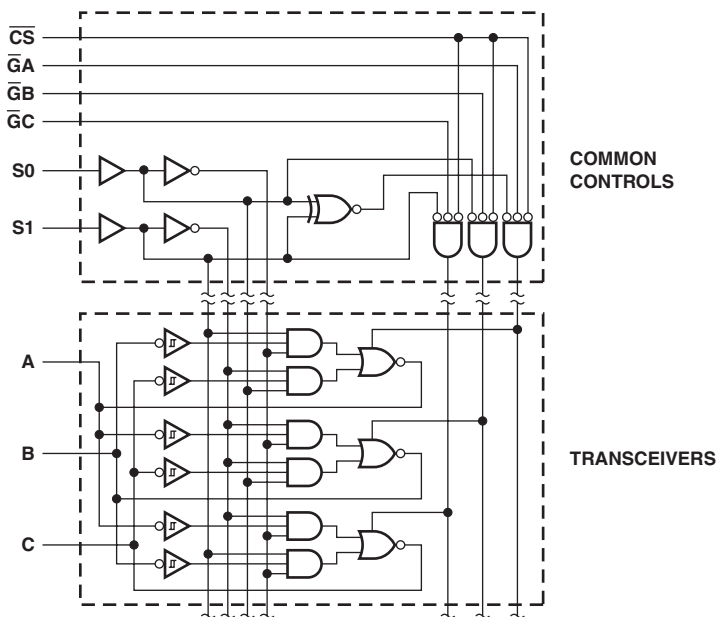
TIMING REQUIREMENTS AND SWITCHING CHARACTERISTICS

PARAMETER	INPUT	OUTPUT	MAX or MIN	LS	CD74 HC	CD74 HCT
$t_W$			MIN	40	30	30
$t_{PLH}$	A (CD74: $\bar{A}$ )	Q	MAX	33	90	90
	B			44	90	90
$t_{PHL}$	A (CD74: $\bar{A}$ )	$\bar{Q}$	MAX	45	96	102
	B			56	96	102
$t_{PLH}$	$\bar{CLR}$ (CD74: $\bar{R}$ )	Q	MAX	27	65	72
		$\bar{Q}$	MAX	45	65	72

UNIT: ns

## QUADRUPLE TRIDIRECTIONAL BUS TRANSCEIVERS

Logic Diagram



FUNCTION TABLE

INPUTS						TRANSFERS BUSES
$\overline{CS}$	S1	S0	$\overline{GA}$	$\overline{GB}$	$\overline{GC}$	
H	X	X	X	X	X	None
X	H	H	X	X	X	None
X	X	X	H	H	H	None
X	L	L	H	X	H	None
X	H	L	H	H	X	None
L	L	L	X	L	L	A → B, A → C
L	L	H	L	X	L	B → C, B → A
L	H	L	L	L	X	C → A, C → B
L	L	L	X	L	H	A → B
L	L	H	H	X	L	B → C
L	H	L	L	H	X	C → A
L	L	L	X	H	L	A → C
L	L	H	L	X	H	B → A
L	H	L	H	L	X	C → B

ELECTRICAL CHARACTERISTICS AND RECOMMENDED OPERATING CONDITIONS

PARAMETER	MAX or MIN	LS	UNIT
$I_{CC}$	MAX	95	mA
$I_{OH}$	MAX	-15	mA
$I_{OL}$	MAX	24	mA

SWITCHING CHARACTERISTICS

PARAMETER	INPUT	OUTPUT	MAX or MIN	LS
$t_{PLH}$	A	B or C	MAX	14
	B	A or C		
	C	A or B		
$t_{PHL}$	A	B or C	MAX	20
	B	A or C		
	C	A or B		
$t_{PZL}$	Any $\overline{G}$	A, B, C	MAX	33
	S0, S1			42
	$\overline{CS}$			36
$t_{PZH}$	$\overline{G}$ , S, $\overline{CS}$	A, B, C	MAX	32
$t_{PLZ}$	$\overline{G}$ , S, $\overline{CS}$	A, B, C	MAX	35
$t_{PHZ}$	$\overline{G}$ , S, $\overline{CS}$	A, B, C	MAX	25

UNIT:ns

## OCTAL BUFFERS WITH 3-STATE OUTPUTS

## ELECTRICAL CHARACTERISTICS AND RECOMMENDED OPERATING CONDITIONS

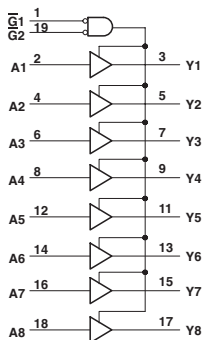
PARAMETER	MAX or MIN	LS	ALS	UNIT
I <sub>CC</sub>	MAX	37	33	mA
I <sub>OH</sub>	MAX	-2.6	-15	mA
I <sub>OL</sub>	MAX	24	24	mA

## SWITCHING CHARACTERISTICS

PARAMETER	INPUT	OUTPUT	MAX or MIN	LS	ALS
t <sub>PLH</sub>	A	Y	MAX	15	13
				18	12
t <sub>PZH</sub>	$\bar{G}$	Y	MAX	40	23
t <sub>PZL</sub>				45	25
t <sub>PHZ</sub>	$\bar{G}$		MAX	40	10
t <sub>PLZ</sub>				45	18

UNIT:ns

## Logic Diagram



† These symbols are in accordance with ANSI/IEEE Std 91-1984 and IEC Publication 617-12.

## OCTAL BINARY/BCD IDENTITY COMPARATORS WITH ENABLE

- Open-Collector Outputs
- 20-k $\Omega$  Pullup Resistors on Q Inputs

## FUNCTION TABLE

INPUTS		OUTPUT
DATA P, Q	ENABLE G	P = Q
P = Q	L	H
P > Q	L	L
P < Q	L	L
X	H	L

## ELECTRICAL CHARACTERISTICS AND RECOMMENDED OPERATING CONDITIONS

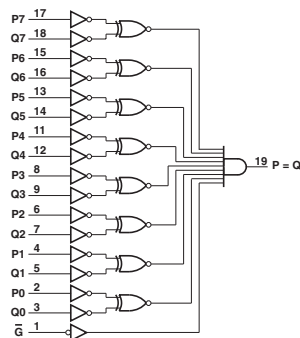
PARAMETER	MAX or MIN	ALS	UNIT
I <sub>CC</sub>	MAX	17	mA
I <sub>OL</sub>	MAX	24	mA
V <sub>OH</sub>	MAX	5.5	V

## SWITCHING CHARACTERISTICS

PARAMETER	INPUT	OUTPUT	MAX or MIN	ALS
t <sub>PLH</sub>	P or Q	P = Q	MAX	33
				15
t <sub>PHL</sub>	$\bar{G}$	P = Q	MAX	33
				15

UNIT: ns

## Logic Diagram



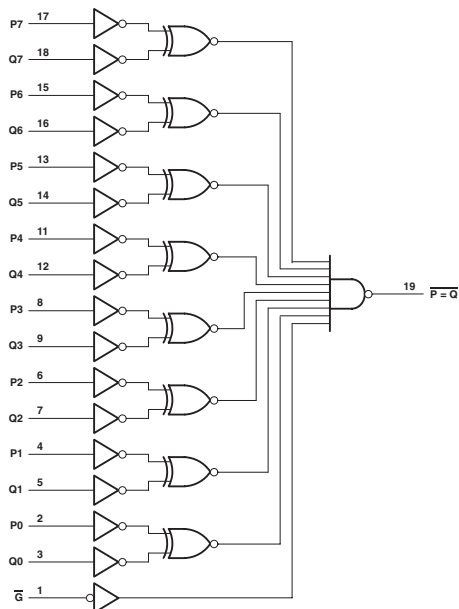
## OCTAL BINARY/BCD IDENTITY COMPARATORS WITH ENABLE

- 20-k $\Omega$  Pullup Resistors on Q Inputs
- 74AC11xxx: Product Available in Reduced-Noise Advanced CMOS (11000 Series)

FUNCTION TABLE

INPUTS		OUTPUT
DATA P, Q	ENABLE $\overline{G}$	$\overline{P = Q}$
P = Q	L	L
P > Q	L	H
P < Q	L	H
X	H	H

Logic Diagram



## ELECTRICAL CHARACTERISTICS AND RECOMMENDED OPERATING CONDITIONS

PARAMETER	MAX or MIN	ALS	F	AC 11	UNIT
$I_{CC}$	MAX	19	32	8	mA
$I_{OH}$	MAX	-2.6	-1	-24	mA
$I_{OL}$	MAX	24	20	24	mA

## SWITCHING CHARACTERISTICS

PARAMETER	INPUT	OUTPUT	MAX or MIN	ALS	F	AC 11
$t_{PLH}$	P or Q	$\overline{P = Q}$	MAX	12	8.7	12.6
$t_{PHL}$				20	10.3	11.3
$t_{PLH}$	$\overline{OE}$	$\overline{P = Q}$	MAX	12	6.4	7.4
$t_{PHL}$				22	10.4	7.8

UNIT: ns

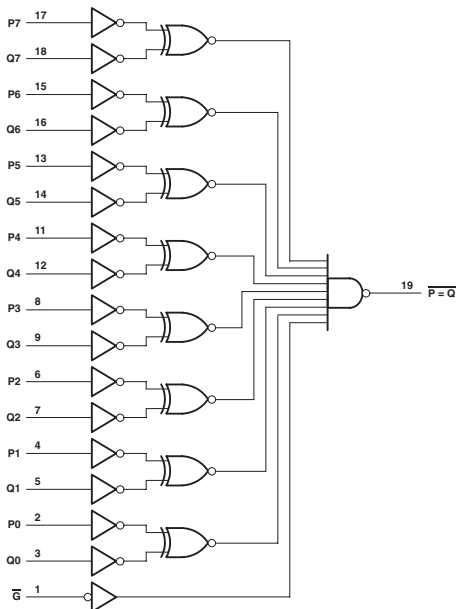
## 8-BIT IDENTITY COMPARATORS WITH OPEN-COLLECTOR OUTPUTS

● 74AC11xxx: Product Available in Reduced-Noise Advanced CMOS (11000 Series)

FUNCTION TABLE

INPUTS		OUTPUT
DATA P, Q	ENABLE $\bar{G}$	$\overline{P = Q}$
P = Q	L	L
P > Q	L	H
P < Q	L	H
X	H	H

Logic Diagram



## ELECTRICAL CHARACTERISTICS AND RECOMMENDED OPERATING CONDITIONS

PARAMETER	MAX or MIN	ALS	F	AC 11	UNIT
I <sub>CC</sub>	MAX	19	32	0.08	mA
I <sub>OH</sub>	MAX	-2.6	-1	-24	mA
I <sub>OL</sub>	MAX	24	20	24	mA

## SWITCHING CHARACTERISTICS

PARAMETER	INPUT	OUTPUT	MAX or MIN	ALS	F	AC 11
t <sub>PLH</sub>	P or Q	$\overline{P = Q}$	MAX	12	11	13
t <sub>PHL</sub>				20	11	11.4
t <sub>PLH</sub>	$\bar{G}$	$\overline{P = Q}$	MAX	12	7.5	7.9
t <sub>PHL</sub>				22	10	8.1

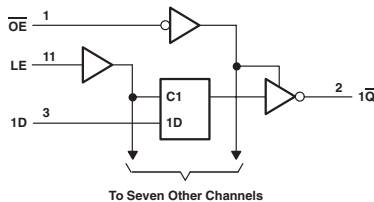
UNIT: ns



## OCTAL TRANSPARENT D-TYPE LATCHES WITH 3-STATE OUTPUTS

- 3-State Bus-Driving Inverting Outputs
- Functionally Equivalent to '373, Except for Having Inverted Outputs
- 74AC11xxx: Product Available in Reduced-Noise Advanced CMOS (11000 Series)
- 74ACT11xxx: Product Available in Reduced-Noise Advanced CMOS (11000 Series)

### Logic Diagram (SN74)



### FUNCTION TABLE (SN74)

INPUTS			OUTPUT
$\overline{OE}$	ENABLE LE	D	
L	H	H	L
L	H	L	H
L	L	X	$\overline{Q_0}$
H	X	X	Z

### ELECTRICAL CHARACTERISTICS AND RECOMMENDED OPERATING CONDITIONS

PARAMETER	MAX or MIN	ALS	AS	SN74 HC	CD74 HC	SN74 HCT	CD74 HCT	ABT	AC 11	SN74 AC	ACT 11	SN74 ACT	UNIT
$I_{CC}$	MAX	28	110	0.08	0.16	0.08	0.16	30	0.08	0.04	0.08	0.04	mA
$I_{OH}$	MAX	-2.6	-15	-6	-6	-6	-6	-32	-24	-24	-24	-24	mA
$I_{OL}$	MAX	24	48	6	6	6	6	64	24	24	24	24	mA

### TIMING REQUIREMENTS AND SWITCHING CHARACTERISTICS

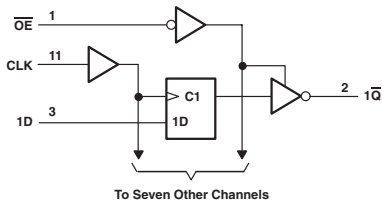
PARAMETER	INPUT	OUTPUT	MAX or MIN	ALS	AS	SN74 HC	CD74 HC	SN74 HCT	CD74 HCT	ABT	AC 11	SN74 AC	ACT 11	SN74 ACT
$t_w$			MIN	15	2	20	24	25	24	3.3	4	5	5	6
$t_{SU}$			MIN	15	2	13	15	13	15	2.1	3.5	4.5	3.5	4
$t_h$			MIN	7	3	5	11	5	12	2.1	2	1	3.5	2.5
$t_{PLH}$	D	$\overline{Q}$	MAX	19	7.5	38	50	44	51	6.4	9.8	11	11.3	11.5
$t_{PHL}$				13	7	38	50	44	51	6.6	8	10.5	9.5	11
$t_{PLH}$	LE (CD74: $\overline{LE}$ )	$\overline{Q}$	MAX	23	9	44	53	44	57	7.3	11.3	11.5	13	11.5
$t_{PHL}$				18	8	44	53	44	57	7.3	10.3	11	12.2	11.5
$t_{PZH}$	$\overline{OE}$	$\overline{Q}$	MAX	17	6.5	38	45	44	53	5.7	10.8	10.5	12.5	11
$t_{PZL}$				18	9.5	38	45	44	53	6.7	9.7	10.5	12	11
$t_{PHZ}$	$\overline{OE}$	$\overline{Q}$	MAX	10	6.5	38	45	44	45	6.9	11.4	11	12.8	11
$t_{PLZ}$				16	7	38	45	44	45	6.5	8.9	11	10.3	11

UNIT: ns

## OCTAL EDGE-TRIGGERED D-TYPE FLIP-FLOPS WITH 3-STATE OUTPUTS

- 3-State Bus-Driving Inverting Outputs
- '534 Have Inverted Outputs, But Otherwise Are Functionally Equivalent to '374
- 74AC11xxx: Product Available in Reduced-Noise Advanced CMOS (11000 Series)
- 74ACT11xxx: Product Available in Reduced-Noise Advanced CMOS (11000 Series)

Logic Diagram (SN74)



FUNCTION TABLE (SN74)

INPUTS			OUTPUT
OE	CLK	D	Q
L	↑	H	L
L	↑	L	H
L	H or L	X	Q <sub>0</sub>
H	X	X	Z

ELECTRICAL CHARACTERISTICS AND RECOMMENDED OPERATING CONDITIONS

PARAMETER	MAX or MIN	ALS	AS	SN74 HC	CD74 HC	SN74 HCT	CD74 HCT	ABT	AC 11	SN74 AC	CD74 AC	ACT 11	SN74 ACT	UNIT
I <sub>CC</sub>	MAX	31	128	0.08	0.16	0.08	0.16	30	0.08	0.04	0.16	0.08	0.04	mA
I <sub>OH</sub>	MAX	-2.6	-15	-6	-6	-6	-6	-32	-24	-24	-24	-24	-24	mA
I <sub>OL</sub>	MAX	24	48	6	6	6	6	64	24	24	24	24	24	mA

TIMING REQUIREMENTS AND SWITCHING CHARACTERISTICS

PARAMETER	INPUT	OUTPUT	MAX or MIN	ALS	AS	SN74 HC	CD74 HC	SN74 HCT	CD74 HCT	ABT	AC 11	SN74 AC	CD74 AC
f <sub>max</sub>			MIN	35	125	25	20	25	16	125	75	140	125
t <sub>w</sub>	CLK "H"		MIN	14	4	20	24	20	30	3.5	6.5	4	4
	CLK "L"			14	3	20	24	20	30	3.5	6.5	4	4
t <sub>su</sub>			MIN	10	2	25	18	25	30	1.6	3.5	4	2
				0	2	5	5	5	5	2	4.5	1.5	2
t <sub>h</sub>													
t <sub>PLH</sub>	CLK (CD74: CP)	Q	MAX	12	8	45	50	45	53	6.7	11.7	12	11.3
t <sub>PHL</sub>				16	9	45	50	45	53	7.6	12.1	11	11.3
t <sub>PZH</sub>	OE	Q	MAX	17	6	38	45	37	53	5	10.4	11.5	14.5
t <sub>PZL</sub>				18	10	38	45	37	53	6.8	10.4	11.5	14.5
t <sub>PHZ</sub>	OE	Q	MAX	10	6	38	45	37	45	7.3	11.6	12.5	14.5
t <sub>PLZ</sub>				14	6	38	45	37	45	6.5	9.2	11	14.5

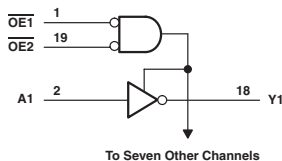
PARAMETER	INPUT	OUTPUT	MAX or MIN	ACT 11	SN74 ACT
f <sub>max</sub>			MIN	55	120
t <sub>w</sub>	CLK "H"		MIN	9	3.5
	CLK "L"			9	3.5
t <sub>su</sub>			MIN	3	4
				5.5	1.5
t <sub>h</sub>					
t <sub>PLH</sub>	CLK (CD74: CP)	Q	MAX	14.5	12.5
t <sub>PHL</sub>				15	12
t <sub>PZH</sub>	OE	Q	MAX	13.3	12.5
t <sub>PZL</sub>				13.5	11.5
t <sub>PHZ</sub>	OE	Q	MAX	13.5	13.5
t <sub>PLZ</sub>				12	10.5

UNIT f<sub>max</sub>: MHz, other: ns

## OCTAL BUFFERS/DRIVERS WITH 3-STATE OUTPUTS

- 3-State Outputs Drive Bus Lines or Buffer Memory Address Registers
- P-N-P Inputs Reduce D-C Loading
- Schmitt-Triggered Inputs (SN74LS540)

### Logic Diagram (SN74)



### FUNCTION TABLE (SN74)

(each buffer/driver)

INPUTS			OUTPUT
OE1	OE2	A	Y
L	L	L	H
L	L	H	L
H	X	X	Z
X	H	X	Z

### ELECTRICAL CHARACTERISTICS AND RECOMMENDED OPERATING CONDITIONS

PARAMETER	MAX or MIN	LS	ALS	ALS-1	SN74 HC	CD74 HC	SN74 HCT	CD74 HCT	SN74 BCT	ABT	LVTH 3V	CD74 AC	CD74 ACT	AHC	UNIT
I <sub>CC</sub>	MAX	52	22	22	0.08	0.16	0.08	0.16	71	30	5	0.16	0.16	0.04	mA
I <sub>DH</sub>	MAX	-15	-15	-15	-6	-6	-6	-6	-15	-32	-32	-24	-24	-8	mA
I <sub>OL</sub>	MAX	24	24	48	6	6	6	6	64	64	64	24	24	8	mA

PARAMETER	MAX or MIN	AHCT	LV 3V	LV 5V	LVC 3V	UNIT
I <sub>CC</sub>	MAX	0.04	-	0.02	0.01	mA
I <sub>DH</sub>	MAX	-8	-8	-16	-24	mA
I <sub>OL</sub>	MAX	8	8	16	24	mA

### SWITCHING CHARACTERISTICS

PARAMETER	INPUT	OUTPUT	MAX or MIN	LS	ALS	ALS-1	SN74 HC	CD74 HC	SN74 HCT	CD74 HCT	SN74 BCT	ABT
t <sub>PLH</sub>	A	Y (CD74: $\bar{Y}$ )	MAX	15	12	12	25	33	25	36	6.9	4.8
t <sub>PHL</sub>				15	9	9	25	33	25	36	4	4.8
t <sub>PZH</sub>	$\overline{OE}$	Y (CD74: $\bar{Y}$ )	MAX	25	15	15	38	-	38	-	10.1	5.9
t <sub>PZL</sub>				38	20	20	38	-	38	-	11.3	6.4
t <sub>PHZ</sub>	$\overline{OE}$	Y (CD74: $\bar{Y}$ )	MAX	25	10	10	38	48	38	53	9	7.3
t <sub>PLZ</sub>				18	12	12	38	48	38	53	8.5	6.2

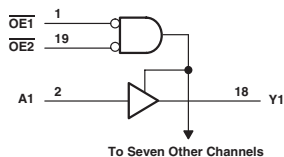
PARAMETER	INPUT	OUTPUT	MAX or MIN	LVTH 3V	CD74 AC	CD74 ACT	AHC	AHCT	LV 3V	LV 5V	LVC 3V
t <sub>PLH</sub>	A	Y (CD74: $\bar{Y}$ )	MAX	3.8	68	7.2	8	10	12	8	5.3
t <sub>PHL</sub>				3.8	68	7.2	8	10	12	8	5.3
t <sub>PZH</sub>	$\overline{OE}$	Y (CD74: $\bar{Y}$ )	MAX	5.2	12	13.4	10.5	12	16	10.5	6.6
t <sub>PZL</sub>				5.3	12	13.4	10.5	12	16	10.5	6.6
t <sub>PHZ</sub>	$\overline{OE}$	Y (CD74: $\bar{Y}$ )	MAX	5.6	12	13.4	10	12	17.5	10	7.4
t <sub>PLZ</sub>				5	12	13.4	10	12	17.5	10	7.4

UNIT: ns

## OCTAL BUFFERS/DRIVERS WITH 3-STATE OUTPUTS

- 3-State Outputs Drive Bus Lines or Buffer Memory Address Registers
- P-N-P Inputs Reduce D-C Loading
- Schmitt-Triggered Inputs (SN74LS541)

Logic Diagram (SN74)



FUNCTION TABLE (SN74)  
(each buffer/driver)

INPUTS			OUTPUT
OE1	OE2	A	Y
L	L	L	L
L	L	H	H
H	X	X	Z
X	H	X	Z

ELECTRICAL CHARACTERISTICS AND RECOMMENDED OPERATING CONDITIONS

PARAMETER	MAX or MIN	LS	ALS	ALS-1	F	SN74 HC	CD74 HC	SN74 HCT	CD74 HCT	SN74 BCT	ABT	LVTH 3V	CD74 AC	UNIT
I <sub>CC</sub>	MAX	55	25	25	75	0.08	0.16	0.08	0.16	72	30	5	0.16	mA
I <sub>OH</sub>	MAX	-15	-15	-15	-15	-6	-6	-6	-6	-15	-32	-32	-24	mA
I <sub>OL</sub>	MAX	24	24	48	64	6	6	6	6	64	64	64	24	mA

PARAMETER	MAX or MIN	CD74 ACT	AHC	AHCT	LV 3V	LV 5V	LV-AT	LV 3V	UNIT
I <sub>CC</sub>	MAX	0.16	0.04	0.04	-	0.02	0.02	0.01	mA
I <sub>OH</sub>	MAX	-24	-8	-8	-8	-16	-16	-24	mA
I <sub>OL</sub>	MAX	24	8	8	8	16	16	24	mA

SWITCHING CHARACTERISTICS

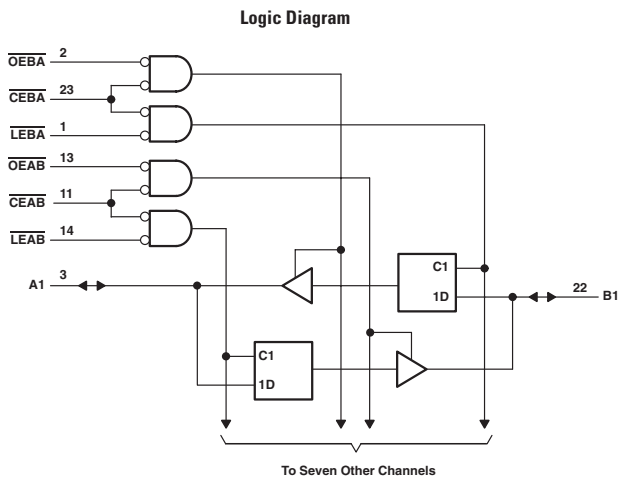
PARAMETER	INPUT	OUTPUT	MAX or MIN	LS	ALS	ALS-1	F	SN74 HC	CD74 HC	SN74 HCT	CD74 HCT	SN74 BCT
t <sub>PLH</sub>	A	Y	MAX	15	14	14	6	29	35	29	42	6
t <sub>PHL</sub>				18	10	10	6	29	35	29	42	8.2
t <sub>PZH</sub>	OE	Y	MAX	32	15	15	9.5	38	-	38	-	10.7
t <sub>PZL</sub>				38	20	20	9.5	38	-	38	-	11.5
t <sub>PHZ</sub>	OE	Y	MAX	29	10	10	6.5	38	48	38	53	8.6
t <sub>PLZ</sub>				18	12	12	6	38	48	38	53	8.6

PARAMETER	INPUT	OUTPUT	MAX or MIN	ABT	LVTH 3V	CD74 AC	CD74 ACT	AHC	AHCT	LV 3V	LV 5V	LV-AT	LVC 3V
t <sub>PLH</sub>	A	Y	MAX	3.6	3.5	7.8	8.2	8	9.5	12	8	9	5.1
t <sub>PHL</sub>				3.9	3.5	7.8	8.2	8	9.5	12	8	9	5.1
t <sub>PZH</sub>	OE	Y	MAX	4	5.2	12	13.4	10.5	12	16	10.5	14	7
t <sub>PZL</sub>				5.9	5.3	12	13.4	10.5	12	16	10.5	14	7
t <sub>PHZ</sub>	OE	Y	MAX	5.8	5.6	12	13.4	10	12	17.5	10	13.5	7
t <sub>PLZ</sub>				4.4	5	12	13.4	10	12	17.5	10	13.5	7

UNIT: ns

## OCTAL REGISTERED TRANSCEIVERS WITH 3-STATE OUTPUTS

- Back-to-Back Registers for Storage
- 3-State True Outputs
- 74ACT11xxx: Product Available in Reduced-Noise Advanced CMOS (11000 Series)



FUNCTION TABLE†

INPUTS				OUTPUT B
CEAB	LEAB	OEAB	A	
H	X	X	X	Z
X	X	H	X	Z
L	H	L	X	B <sub>0</sub> †
L	L	L	L	L
L	L	L	H	H

† A-to-B data flow is shown; B-to-A flow control is the same except that it uses CEBA, LEBA, and OEBA.  
 † Output level before the indicated steady-state input conditions were established

## ELECTRICAL CHARACTERISTICS AND RECOMMENDED OPERATING CONDITIONS

PARAMETER		MAX or MIN	F	SN74 BCT	ABT	LVT 3V	LVTH 3V	ACT 11	LVC 3V	UNIT
I <sub>CCH</sub>		MAX	100	8	0.25	0.19	0.19	0.08	0.01	mA
I <sub>CCL</sub>		MAX	125	71	30	12	5	0.08	0.01	mA
I <sub>CCZ</sub>		MAX	125	15	0.25	0.19	0.19	0.08	0.01	mA
I <sub>OH</sub>	A	MAX	-3	-15	-32	-32	-32	-24	-24	mA
	B	MAX	-15	-15	-32	-32	-32	-24	-24	mA
I <sub>OL</sub>	A	MAX	24	64	64	64	64	24	24	mA
	B	MAX	64	64	64	64	64	24	24	mA

## TIMING REQUIREMENTS AND SWITCHING CHARACTERISTICS

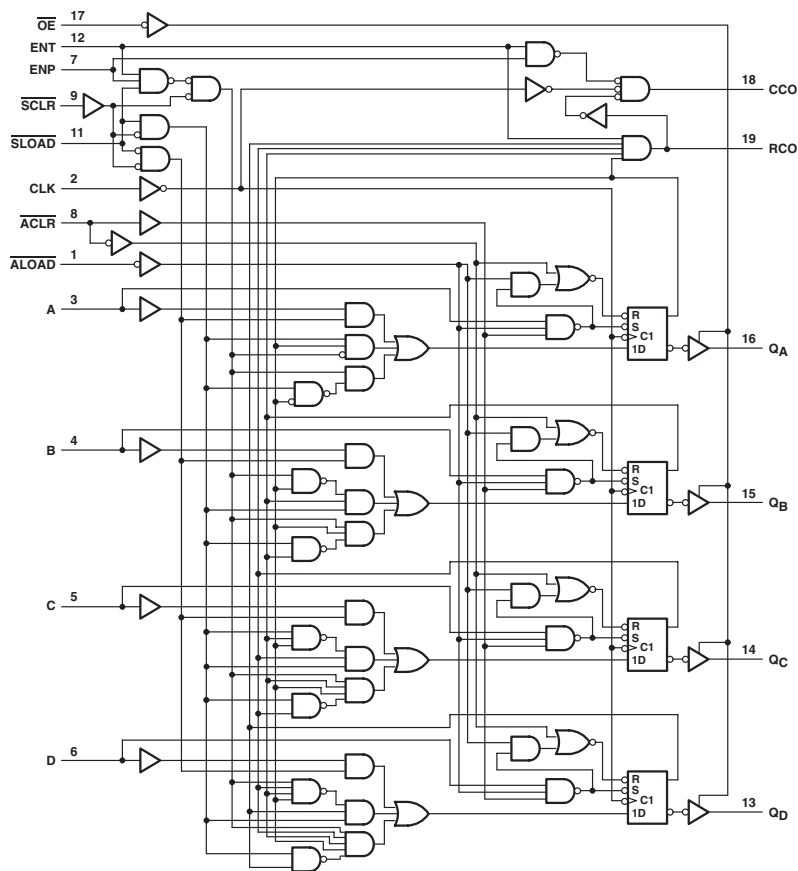
PARAMETER		INPUT	OUTPUT	MAX or MIN	F	SN74 BCT	ABT	LVT 3V	LVTH 3V	ACT 11	LVC 3V
t <sub>w</sub>				MIN	5	7	3.5	3.3	3.3	4	3.3
t <sub>su</sub>	LE ↑ before	"H"		MIN	3.5	4.5	3.5	0	0.4	2.5	1.6
	LE ↑ before	"L"			3.5	4.5	3	0.8	1	2.5	1.6
	CE ↑ before	"H"			-	-	3.5	0	0.2	3	1.6
	CE ↑ before	"L"			-	-	3	0.9	0.7	3	1.6
t <sub>th</sub>	LE ↑ after	"H"		MIN	3.5	1.5	0.5	1.7	1.5	2	2.1
	LE ↑ after	"L"			3.5	1.5	0.5	1.7	1.3	2	2.1
	CE ↑ after	"H"			-	-	0.5	1.8	1.6	1.5	2.1
	CE ↑ after	"L"			-	-	0.5	1.8	1.4	1.5	2.1
t <sub>PLH</sub>	A or B	B or A	MAX	8.5	8.8	6.9	4.7	3.7	10.2	7	
t <sub>PHL</sub>				7.5	9.6	6.9	4.6	3.7	12.1	7	
t <sub>PLH</sub>	LEBA	A	MAX	12.5	12.9	6.6	5.9	4.7	11.2	8.5	
t <sub>PHL</sub>				12.5	12.7	7.1	5.7	4.7	13.2	8.5	
t <sub>PLH</sub>	LEAB	B	MAX	12.5	12.9	6.6	5.9	4.7	11.2	8.5	
t <sub>PHL</sub>				12.5	12.7	7.1	5.7	4.7	13.2	8.5	
t <sub>PZH</sub>	OE	A or B	MAX	10	10.7	6.4	5.8	4.9	11.5	7.7	
t <sub>PZL</sub>				12	12.3	7.5	6.4	4.9	15.3	7.7	
t <sub>PHZ</sub>	OE	A or B	MAX	9	8.1	8.4	6.5	5.3	10.4	7	
t <sub>PLZ</sub>				8.5	7.2	8	5.8	5.3	10.5	7	
t <sub>PZH</sub>	CE	A or B	MAX	10	12	6.4	6	5.3	12.2	8	
t <sub>PZL</sub>				12	13.5	7.5	6.7	5.3	16	8	
t <sub>PHZ</sub>	CE	A or B	MAX	9	8.5	8.4	6.4	5.4	11	7	
t <sub>PLZ</sub>				8.5	7.6	8	5.4	5.4	11.1	7	

UNIT: ns

## SYNCHRONOUS 4-BIT COUNTERS WITH 3-STATE OUTPUTS

- 3-State Outputs
- Choice of Asynchronous or Synchronous Clearing and Loading
- Internal Look-Ahead Circuitry for Fast Cascading

Logic Diagram



**FUNCTION TABLE**

INPUTS								OPERATION
OE	ACL	ALOAD	SCLR	SLOAD	ENT	ENP	CLK	
H	X	X	X	X	X	X	X	Q outputs disabled
L	L	X	X	X	X	X	X	Asynchronous clear
L	H	L	X	X	X	X	X	Asynchronous load
L	H	H	L	X	X	X	↑	Synchronous clear
L	H	H	H	L	X	X	↑	Synchronous load
L	H	H	H	H	H	H	↑	Count
L	H	H	H	H	L	X	X	Inhibit counting
L	H	H	H	H	X	L	X	Inhibit counting

**ELECTRICAL CHARACTERISTICS AND RECOMMENDED OPERATING CONDITIONS**

PARAMETER		MAX or MIN	ALS	UNIT
I <sub>CC</sub>		MAX	36	mA
I <sub>OH</sub>	OUTPUT Q	MAX	-2.6	mA
	CCO & RCO	MAX	-0.4	mA
I <sub>OL</sub>	OUTPUT Q	MAX	24	mA
	CCO & RCO	MAX	8	mA

**TIMING REQUIREMENTS AND SWITCHING CHARACTERISTICS**

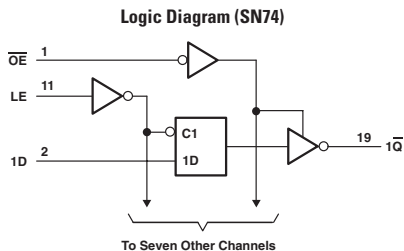
PARAMETER		INPUT	OUTPUT	MAX or MIN	ALS
f <sub>max</sub>				MIN	30
t <sub>w</sub>	CLK "H"			MIN	16.5
	CLK "L"			MIN	16.5
t <sub>su</sub>	ENP or ENT	H		MIN	20
		L			20
	A, B, C, D				20
	SCLR	L			15
		H			30
	SLOAD	L			15
H			30		
t <sub>h</sub>				MIN	0
t <sub>PLH</sub>		CLK	Q	MAX	12
t <sub>PHL</sub>					18
t <sub>PLH</sub>		CLK	RCO	MAX	29
t <sub>PHL</sub>					24
t <sub>PLH</sub>		$\overline{\text{ALOAD}}$	Q	MAX	35
t <sub>PHL</sub>					23
t <sub>PLH</sub>		$\overline{\text{ALOAD}}$	CCO	MAX	55
t <sub>PHL</sub>					33
t <sub>PLH</sub>		ENT	RCO	MAX	16
t <sub>PHL</sub>					14
t <sub>PHL</sub>		$\overline{\text{ACL}}$	Q	MAX	22

 UNIT f<sub>max</sub> : MHz, other : ns



## OCTAL D-TYPE TRANSPARENT LATCHES WITH 3-STATE OUTPUTS

- 3-State Buffer-Type Outputs Drive Bus Lines Directly
- Bus-Structured Pinout



**FUNCTION TABLE (SN74)**

INPUTS			OUTPUT $\bar{Q}$
OE	ENABLE LE	D	
L	H	H	L
L	H	L	H
L	L	X	$Q_0$
H	X	X	Z

### ELECTRICAL CHARACTERISTICS AND RECOMMENDED OPERATING CONDITIONS

PARAMETER	MAX or MIN	ALS	SN74 HC	CD74 HC	SN74 HCT	CD74 HCT	SN74 AC	CD74 AC	SN74 ACT	UNIT
$I_{CC}$	MAX	29	0.08	0.16	0.08	0.16	0.08	0.16	0.04	mA
$I_{OH}$	MAX	-2.6	-6	-6	-6	-6	-24	-24	-24	mA
$I_{OL}$	MAX	24	6	6	6	6	24	24	24	mA

### TIMING REQUIREMENTS AND SWITCHING CHARACTERISTICS

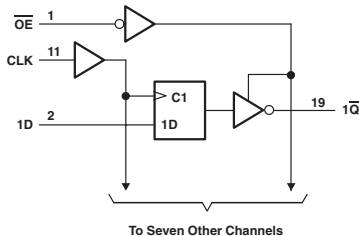
PARAMETER	INPUT	OUTPUT	MAX or MIN	ALS	SN74 HC	CD74 HC	SN74 HCT	CD74 HCT	SN74 AC	CD74 AC	SN74 ACT
$t_W$			MIN	15	20	24	25	24	5	4	3
$t_{SU}$				10	13	15	13	15	2.5	2	4.5
$t_H$				10	5	4	10	5	2	3	0
$t_{PLH}$	D	$\bar{Q}$	MAX	18	44	45	44	45	11.5	10.5	12.5
$t_{PHL}$				14	44	45	44	45	11	10.5	11
$t_{PLH}$	LE (CD74: LE)	$\bar{Q}$	MAX	22	44	50	44	53	11	12	11.5
$t_{PHL}$				21	44	50	44	53	9.5	12	10.5
$t_{PZH}$	$\bar{OE}$	$\bar{Q}$	MAX	18	38	45	44	53	10	10.5	10
$t_{PZL}$				18	38	45	44	53	9.5	10.5	9.5
$t_{PHZ}$	$\bar{OE}$	$\bar{Q}$	MAX	10	38	45	44	53	12	11.5	11.5
$t_{PLZ}$				15	38	45	44	53	9	11.5	8.5

UNIT: ns

## OCTAL D-TYPE EDGE-TRIGGERED FLIP-FLOPS WITH 3-STATE OUTPUTS

- 3-State Buffer-Type Inverting Outputs Drive Bus Lines Directly
- Bus-Structured Pinout

Logic Diagram (SN74)



FUNCTION TABLE (SN74)

INPUTS			OUTPUT
OE	CLK	D	Q
L	↑	H	L
L	↑	L	H
L	L	X	Q <sub>0</sub>
H	X	X	Z

ELECTRICAL CHARACTERISTICS AND RECOMMENDED OPERATING CONDITIONS

PARAMETER	MAX or MIN	ALS	SN74 HC	CD74 HC	SN74 HCT	CD74 HCT	SN74 AC	SN74 ACT	UNIT
I <sub>CC</sub>	MAX	30	0.08	0.16	0.08	0.16	0.04	0.04	mA
I <sub>OH</sub>	MAX	-2.6	-6	-6	-6	-6	-24	-24	mA
I <sub>OL</sub>	MAX	24	6	6	6	6	24	24	mA

TIMING REQUIREMENTS AND SWITCHING CHARACTERISTICS

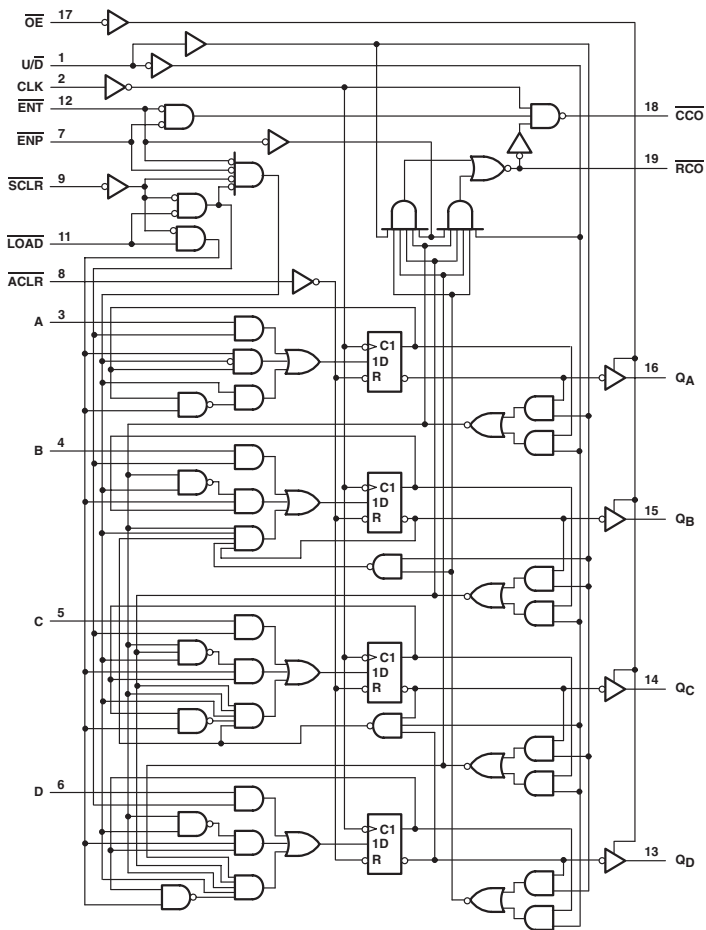
PARAMETER	INPUT	OUTPUT	MAX or MIN	ALS	SN74 HC	CD74 HC	SN74 HCT	CD74 HCT	SN74 AC	SN74 ACT
f <sub>max</sub>			MIN	30	25	20	25	16	85	75
t <sub>w</sub>	CLK "H"		MIN	14	20	24	20	30	5	3.5
				14	20	24	20	30	5	3.5
t <sub>su</sub>	CLK ↑		MIN	15	25	18	25	30	2.5	3
t <sub>h</sub>	CLK ↑			0	5	5	5	3	2	1
t <sub>PLH</sub>	CLK	Q̄	MAX	14	45	50	45	53	11.5	11.5
t <sub>PHL</sub>				14	45	50	45	53	10.5	10.5
t <sub>PZH</sub>	OE	Q̄	MAX	18	38	45	38	53	9.5	9.5
t <sub>PZL</sub>				18	38	45	38	53	9.5	9.5
t <sub>PHZ</sub>	OE	Q̄	MAX	10	38	41	38	45	11.5	11.5
t <sub>PLZ</sub>				15	38	41	38	45	9	8.5

UNIT f<sub>max</sub> : MHz, other : ns

## SYNCHRONOUS 4-BIT UP/DOWN BINARY COUNTERS WITH 3-STATE OUTPUTS

- 3-State Q Outputs Drive Bus Lines Directly
- Fully Synchronous Clear, Count, and Load
- Asynchronous Clear Is Also Provided
- Fully Cascadable

Logic Diagram



**FUNCTION TABLE**

INPUTS								OPERATION
OE	ACLR	SCLR	LOAD	ENT	ENP	U/D	CLK	
H	X	X	X	X	X	X	X	Q outputs disabled
L	L	X	X	X	X	X	X	Asynchronous clear
L	H	L	X	X	X	X	↑	Synchronous clear
L	H	H	L	X	X	X	↑	Load
L	H	H	H	L	L	H	↑	Count up
L	H	H	H	L	L	L	↑	Count down
L	H	H	H	H	X	X	X	Inhibit count
L	H	H	H	X	H	X	X	Inhibit count

**ELECTRICAL CHARACTERISTICS AND RECOMMENDED OPERATING CONDITIONS**

PARAMETER		MAX or MIN	ALS	UNIT
I <sub>CC</sub>		MAX	32	mA
I <sub>OH</sub>	OUTPUT Q	MAX	-2.6	mA
	CCO & RCO		-0.4	mA
I <sub>OL</sub>	OUTPUT Q	MAX	24	mA
	CCO & RCO		8	mA

**TIMING REQUIREMENTS AND SWITCHING CHARACTERISTICS**

PARAMETER		INPUT	OUTPUT	MAX or MIN	ALS
f <sub>max</sub>				MIN	30
t <sub>w</sub>	ACLR, LOAD			MIN	15
	CLK "H"				16.5
	CLK "L"				16.5
t <sub>su</sub>	Data at A, B, C, D			MIN	20
	ENP, ENT	High			30
		Low			20
	SCLR	High			15
		Low			30
	LOAD	High			15
		Low			30
	U/D				30
	ACLR				10
	t <sub>h</sub>				
t <sub>PLH</sub>		CLK	ANY Q	MAX	13
t <sub>PHL</sub>					16
t <sub>PLH</sub>		CLK	RCO	MAX	28
t <sub>PHL</sub>					19
t <sub>PLH</sub>		ENT	RCO	MAX	15
t <sub>PHL</sub>					13
t <sub>PHL</sub>		ACLR	Q	MAX	20
t <sub>PZH</sub>		OE	Q	MAX	18
t <sub>PZL</sub>					24
t <sub>PHZ</sub>		OE	Q	MAX	10
t <sub>PLZ</sub>					13

 UNIT f<sub>max</sub> : MHz, other : ns

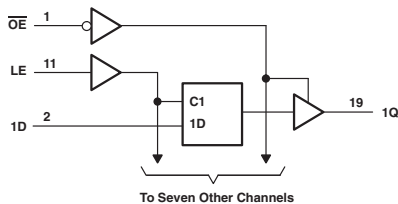
## OCTAL TRANSPARENT D-TYPE LATCHES WITH 3-STATE OUTPUTS

- 3-State Buffer-Type Outputs Drive Bus Lines Directly
- Bus-Structured Pinout

FUNCTION TABLE (SN74)

INPUTS			OUTPUT Q
OE	ENABLE LE	D	
L	H	H	H
L	H	L	L
L	L	X	Q <sub>0</sub>
H	X	X	Z

Logic Diagram (SN74)



ELECTRICAL CHARACTERISTICS AND RECOMMENDED OPERATING CONDITIONS

PARAMETER	MAX or MIN	ALS	AS	F	SN74 HC	CD74 HC	SN74 HCT	CD74 HCT	SN74 BCT	ABT	LVT 3V	LVTH 3V	SN74 AC	CD74 AC	UNIT
I <sub>CC</sub>	MAX	27	106	55	0.08	0.16	0.08	0.16	62	30	12	5	0.04	0.16	mA
I <sub>OH</sub>	MAX	-2.6	-15	-3	-6	-6	-6	-6	-15	-32	-32	-32	-24	-24	mA
I <sub>OL</sub>	MAX	24	48	24	6	6	6	6	64	64	64	64	24	24	mA

PARAMETER	MAX or MIN	SN74 ACT	CD74 ACT	AHC	AHCT	LV 3V	LV 5V	LV-AT	LVC 3V	UNIT
I <sub>CC</sub>	MAX	0.04	0.16	0.04	0.04	-	0.02	0.02	0.01	mA
I <sub>OH</sub>	MAX	-24	-24	-8	-8	-8	-16	-16	-24	mA
I <sub>OL</sub>	MAX	24	24	8	8	8	16	16	24	mA

## TIMING REQUIREMENTS AND SWITCHING CHARACTERISTICS

PARAMETER		INPUT	OUTPUT	MAX or MIN	ALS	AS	F	SN74 HC	CD74 HC	SN74 HCT	CD74 HCT	SN74 BCT
t <sub>w</sub>	LE			MIN	10	4.5	6	20	24	25	24	4
t <sub>su</sub>	LE ↓				10	2	2	13	15	13	20	1
t <sub>h</sub>	LE ↓				7	3	3	5	12	5	15	4
t <sub>PLH</sub>		D	Q	MAX	14	8	8	44	53	44	53	8.4
t <sub>PHL</sub>					14	7	6	44	53	44	53	9.6
t <sub>PLH</sub>		LE	Q	MAX	20	13	13	44	53	44	53	8.1
t <sub>PHL</sub>					19	7.5	8	44	53	44	53	7.8
t <sub>PZH</sub>		$\overline{OE}$	Q	MAX	18	6.5	12	38	45	44	53	10.4
t <sub>PZL</sub>					18	9.5	8.5	38	45	44	53	11
t <sub>PHZ</sub>		$\overline{OE}$	Q	MAX	10	6.5	7.5	38	45	44	53	6
t <sub>PLZ</sub>					15	7	6	38	45	44	53	6

PARAMETER		INPUT	OUTPUT	MAX or MIN	ABT	LVT 3V	LVTH 3V	SN74 AC	CD74 AC	SN74 ACT	CD74 ACT	AHC
t <sub>w</sub>	LE			MIN	3.3	3.3	3	5	4	4	4	5
t <sub>su</sub>	LE ↓				1.9	0.7	0.7	3.5	2	3.5	2	3.5
t <sub>h</sub>	LE ↓				1.8	1.6	1.5	2	3	0	3	1.5
t <sub>PLH</sub>		D	Q	MAX	5.9	4.2	3.9	11.5	8.5	12	10.4	10
t <sub>PHL</sub>					6.2	4.3	3.9	11	8.5	12	10.4	10
t <sub>PLH</sub>		LE (CD74AC/ACT: LE)	Q	MAX	6.6	5.6	4.2	11	12	12	12.5	11
t <sub>PHL</sub>					7.2	6.5	4.2	10	12	10.5	12.5	11
t <sub>PZH</sub>		$\overline{OE}$	Q	MAX	5.2	5.1	5.1	10	10.5	11	13.5	11
t <sub>PZL</sub>					6.7	5.5	5.1	9.5	10.5	10.5	13.5	11
t <sub>PHZ</sub>		$\overline{OE}$	Q	MAX	7.1	5.7	4.9	12	11.5	12.5	12.5	11
t <sub>PLZ</sub>					6.5	4.6	4.6	9	11.5	9.5	12.5	11

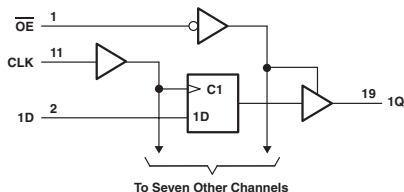
PARAMETER		INPUT	OUTPUT	MAX or MIN	AHCT	LV 3V	LV 5V	LV-AT	LVC 3V
t <sub>w</sub>	LE			MIN	5	5	5	8.5	3.3
t <sub>su</sub>	LE ↓				3.5	3.5	3.5	1.5	2
t <sub>h</sub>	LE ↓				1.5	1.5	1.5	3.5	1.5
t <sub>PLH</sub>		D	Q	MAX	7.5	16.5	10	10.5	6.9
t <sub>PHL</sub>					10	16.5	10	10.5	6.9
t <sub>PLH</sub>		LE (CD74AC/ACT: LE)	Q	MAX	8.5	17.5	11	14.5	7.7
t <sub>PHL</sub>					10	17.5	11	14.5	7.7
t <sub>PZH</sub>		$\overline{OE}$	Q	MAX	8	17	11	13.5	7.5
t <sub>PZL</sub>					11	17	11	13.5	7.5
t <sub>PHZ</sub>		$\overline{OE}$	Q	MAX	12	16.5	11	12	6.5
t <sub>PLZ</sub>					10.5	16.5	11	12	6.5

UNIT: ns

## OCTAL EDGE-TRIGGERED D-TYPE FLIP-FLOPS WITH 3-STATE OUTPUTS

- 3-State Buffer-Type Noninverting Outputs Drive Bus Lines Directly
- Bus-Structured Pinout

Logic Diagram (SN74)



FUNCTION TABLE (SN74)

INPUTS			OUTPUT
OE	CLK	D	Q
L	↑	H	H
L	↑	L	L
L	L	X	Q <sub>0</sub>
H	X	X	Z

## ELECTRICAL CHARACTERISTICS AND RECOMMENDED OPERATING CONDITIONS

PARAMETER	MAX or MIN	ALS	AS	F	SN74 HC	CD74 HC	SN74 HCT	CD74 HCT	SN74 BCT	ABT	LVT 3V	LVTH 3V	SN74 AC	UNIT
I <sub>CC</sub>	MAX	28	134	86	0.08	0.16	0.08	0.16	62	30	12	5	0.04	mA
I <sub>OH</sub>	MAX	-2.6	-15	-3	-6	-6	-6	-6	-15	-32	-32	-32	-24	mA
I <sub>OL</sub>	MAX	24	48	24	6	6	6	6	64	64	64	64	24	mA

PARAMETER	MAX or MIN	CD74 AC	SN74 ACT	CD74 ACT	AHC	AHCT	LV 3V	LV 5V	LVC 3V	UNIT
I <sub>CC</sub>	MAX	0.16	0.04	0.16	0.04	0.04	-	0.02	0.01	mA
I <sub>OH</sub>	MAX	-24	-24	-24	-8	-8	-8	-16	-24	mA
I <sub>OL</sub>	MAX	24	24	24	8	8	8	16	24	mA

## TIMING REQUIREMENTS AND SWITCHING CHARACTERISTICS

PARAMETER	INPUT	OUTPUT	MAX or MIN	ALS	AS	F	SN74 HC	CD74 HC	SN74 HCT	CD74 HCT	SN74 BCT
fmax			MIN	35	125	100	24	20	24	20	77
tw			MIN	14	5.5	7	20	24	20	24	6.5
tsu			MIN	15	5.5	2	25	18	25	18	6
th			MIN	0	0	2	5	5	5	5	0
↑PLH	CLK (CD74: CP)	Q	MAX	14	8	10	45	50	45	50	10
↑PHL				14	9	10	45	50	45	50	8.9
↑PZH	$\overline{OE}$	Q	MAX	18	6	12.5	38	45	38	45	10.4
↑PZL				18	10	8.5	38	45	38	45	10.9
↑PHZ	$\overline{OE}$	Q	MAX	10	6	8	38	41	38	42	7.5
↑PLZ				12	6	6.5	38	41	38	42	6.4

PARAMETER	INPUT	OUTPUT	MAX or MIN	ABT	LVT 3V	LVTH 3V	SN74 AC	CD74 AC	SN74 ACT	CD74 ACT	AHC
fmax			MIN	150	150	150	85	125	85	110	75
tw			MIN	3.3	3.3	3.3	5	4	4	4.5	5
tsu			MIN	1.5	2	2	2	2	2.5	2	3
th			MIN	1.8	0.3	0.3	1.5	2	1	3	1.5
↑PLH	CLK (CD74: CP)	Q	MAX	6.8	5.4	4.5	11	10.8	12	11.2	12
↑PHL				7.1	5.9	4.5	9.5	10.8	11	11.2	12
↑PZH	$\overline{OE}$	Q	MAX	5.1	4.8	4.8	9	14.5	10	14.5	12.5
↑PZL				6.7	5.1	4.8	9	14.5	10	14.5	12.5
↑PHZ	$\overline{OE}$	Q	MAX	7	5.5	4.8	10.5	14.5	11.5	14.5	11.5
↑PLZ				6.5	4.5	4.4	8.5	14.5	9	14.5	11.5

PARAMETER	INPUT	OUTPUT	MAX or MIN	AHCT	LV 3V	LV 5V	LVC 3V
fmax			MIN	75	45	75	150
tw			MIN	5.5	5	5	3.3
tsu			MIN	3.5	3.5	3.5	2
th			MIN	1.5	1.5	1.5	1.5
↑PLH	CLK (CD74: CP)	Q	MAX	12	19	12	7
↑PHL				12	19	12	7
↑PZH	$\overline{OE}$	Q	MAX	12.5	18.5	12.5	7.5
↑PZL				12.5	18.5	12.5	7.5
↑PHZ	$\overline{OE}$	Q	MAX	11.5	17	11.5	6.4
↑PLZ				11.5	17	11.5	6.4

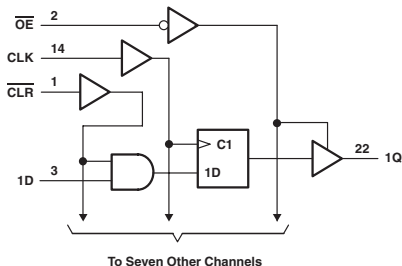
UNIT fmax : MHz, other : ns



## OCTAL D-TYPE EDGE-TRIGGERED FLIP-FLOPS WITH 3-STATE OUTPUTS

- 3-State Buffer-Type Noninverting Outputs Drive Bus Lines Directly
- Bus-Structured Pinout
- Synchronous Clear

Logic Diagram



FUNCTION TABLE

INPUTS				OUTPUT
OE	CLR	CLK	D	Q
L	L	↑	X	L
L	H	↑	H	H
L	H	↑	L	L
L	H	L	X	Q <sub>0</sub>
H	X	X	X	Z

ELECTRICAL CHARACTERISTICS AND RECOMMENDED OPERATING CONDITIONS

PARAMETER	MAX or MIN	ALS	AS	UNIT
I <sub>CC</sub>	MAX	30	142	mA
I <sub>OH</sub>	MAX	-2.6	-15	mA
I <sub>OL</sub>	MAX	24	48	mA

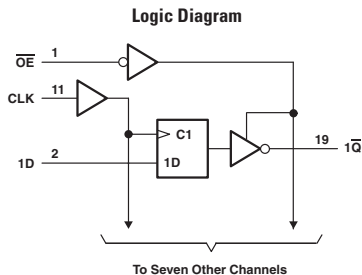
TIMING REQUIREMENTS AND SWITCHING CHARACTERISTICS

PARAMETER	INPUT	OUTPUT	MAX or MIN	ALS	AS	
f <sub>max</sub>			MIN	30	90	
t <sub>w</sub>	CLK	H	MIN	16.5	5.5	
	CLK	L			5.5	
t <sub>su</sub>	DATA			15	15	5.5
	CLR	L				6.5
t <sub>h</sub>	DATA		0	0	3	
	CLR				0	
t <sub>PLH</sub>	CLK	Q	MAX	14	8	
t <sub>PHL</sub>					9	
t <sub>PZH</sub>	OC	Q	MAX	18	6	
t <sub>PZL</sub>					10	
t <sub>PHZ</sub>	OC	Q	MAX	10	6	
t <sub>PLZ</sub>					13	

UNIT f<sub>max</sub> : MHz, other : ns

## OCTAL D-TYPE EDGE-TRIGGERED FLIP-FLOPS WITH 3-STATE OUTPUTS

- 3-State Buffer-Type Inverting Outputs Drive Bus Lines Directly
- Bus-Structured Pinout
- Functionally Equivalent to '576, Except for Having Inverted Outputs



**FUNCTION TABLE**

INPUTS			OUTPUT
OE	CLK	D	Q
L	↑	H	L
L	↑	L	H
L	L	X	Q <sub>0</sub>
H	X	X	Z

**ELECTRICAL CHARACTERISTICS AND RECOMMENDED OPERATING CONDITIONS**

PARAMETER	MAX or MIN	ALS	AS	UNIT
I <sub>CC</sub>	MAX	30	135	mA
I <sub>OH</sub>	MAX	-2.6	-15	mA
I <sub>OL</sub>	MAX	24	48	mA

**TIMING REQUIREMENTS AND SWITCHING CHARACTERISTICS**

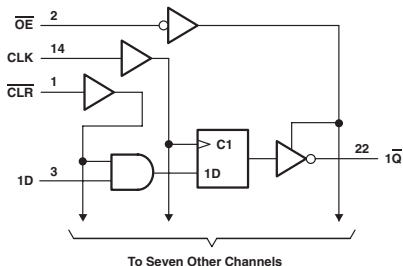
PARAMETER	INPUT	OUTPUT	MAX or MIN	ALS	AS
f <sub>max</sub>			MIN	30	125
t <sub>w</sub>	H		MIN	16.5	4
	L			2	
t <sub>su</sub>	DATA			15	2
t <sub>h</sub>	DATA			0	2
t <sub>PLH</sub>	CLK	Q̄	MAX	14	8
t <sub>PHL</sub>				14	9
t <sub>PZH</sub>	OE	Q̄	MAX	18	6
t <sub>PZL</sub>				18	10
t <sub>PHZ</sub>	OE	Q̄	MAX	10	6
t <sub>PLZ</sub>				15	6

UNIT f<sub>max</sub> : MHz, other : ns

## OCTAL D-TYPE EDGE-TRIGGERED FLIP-FLOPS WITH 3-STATE OUTPUTS

- 3-State Buffer-Type Inverting Outputs Drive Bus Lines Directly
- Bus-Structured Pinout
- Synchronous Clear

Logic Diagram



FUNCTION TABLE

INPUTS				OUTPUT
$\overline{OE}$	$\overline{CLR}$	CLK	D	$\overline{Q}$
L	L	$\uparrow$	X	H
L	H	$\uparrow$	H	L
L	H	$\uparrow$	L	H
L	H	L	X	$\overline{Q}_0$
H	X	X	X	Z

ELECTRICAL CHARACTERISTICS AND RECOMMENDED OPERATING CONDITIONS

PARAMETER	MAX or MIN	ALS	AS	UNIT
$I_{CC}$	MAX	30	142	mA
$I_{OH}$	MAX	-2.6	-15	mA
$I_{OL}$	MAX	24	48	mA

TIMING REQUIREMENTS AND SWITCHING CHARACTERISTICS

PARAMETER	INPUT	OUTPUT	MAX or MIN	ALS	AS
$f_{max}$			MIN	30	125
$t_w$			MIN	16.5	4
$t_{su}$	DATA		MIN	15	2
$t_h$	CLR			0	2
$t_{PLH}$				14	8
$t_{PHL}$	CLK	$\overline{Q}$	MAX	14	9
$t_{PZH}$	$\overline{OE}$	$\overline{Q}$	MAX	18	6
$t_{PZL}$				18	10
$t_{PHZ}$	$\overline{OE}$	$\overline{Q}$	MAX	10	6
$t_{PLZ}$				15	6

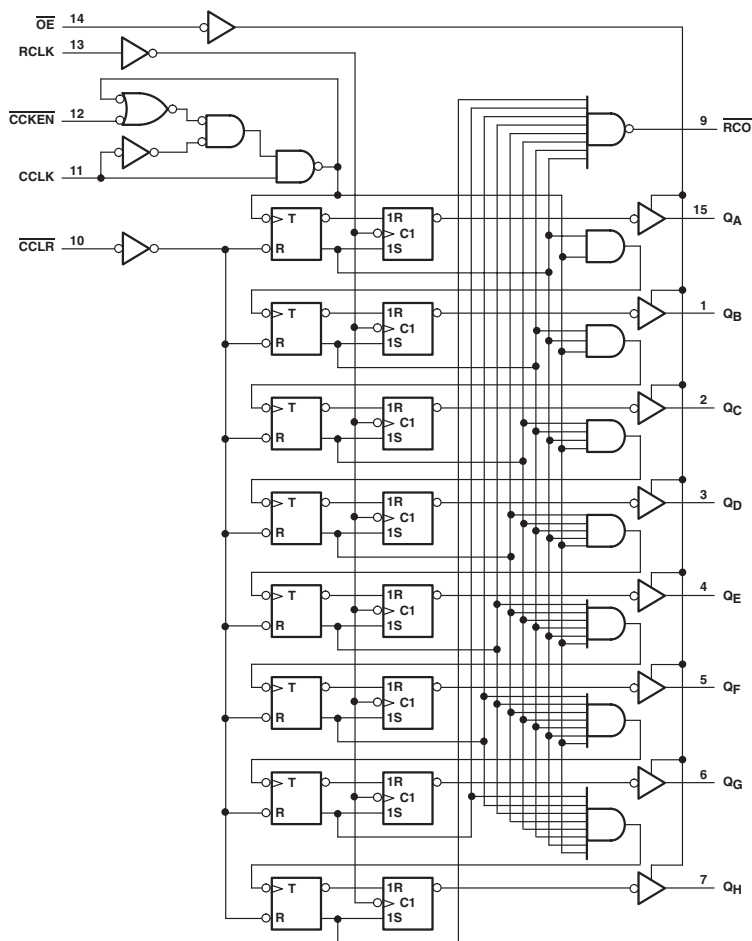
UNIT  $f_{max}$  : MHz, other : ns



## 8-BIT BINARY COUNTERS WITH 3-STATE OUTPUT REGISTERS

- Parallel Register Outputs
- Counter Has Direct Clear
- 3-State Outputs
- Guaranteed Counter Frequency: DC to 20MHz

Logic Diagram



## ELECTRICAL CHARACTERISTICS AND RECOMMENDED OPERATING CONDITIONS

PARAMETER		MAX or MIN	LS	SN74 HC	UNIT
I <sub>CC</sub>		MAX	65	0.08	mA
I <sub>OH</sub>	$\overline{RCO}$	MAX	-1	-4	mA
	Q	MAX	-2.6	-6	mA
I <sub>OL</sub>	$\overline{RCO}$	MAX	16	4	mA
	Q	MAX	24	6	mA

## TIMING REQUIREMENTS AND SWITCHING CHARACTERISTICS

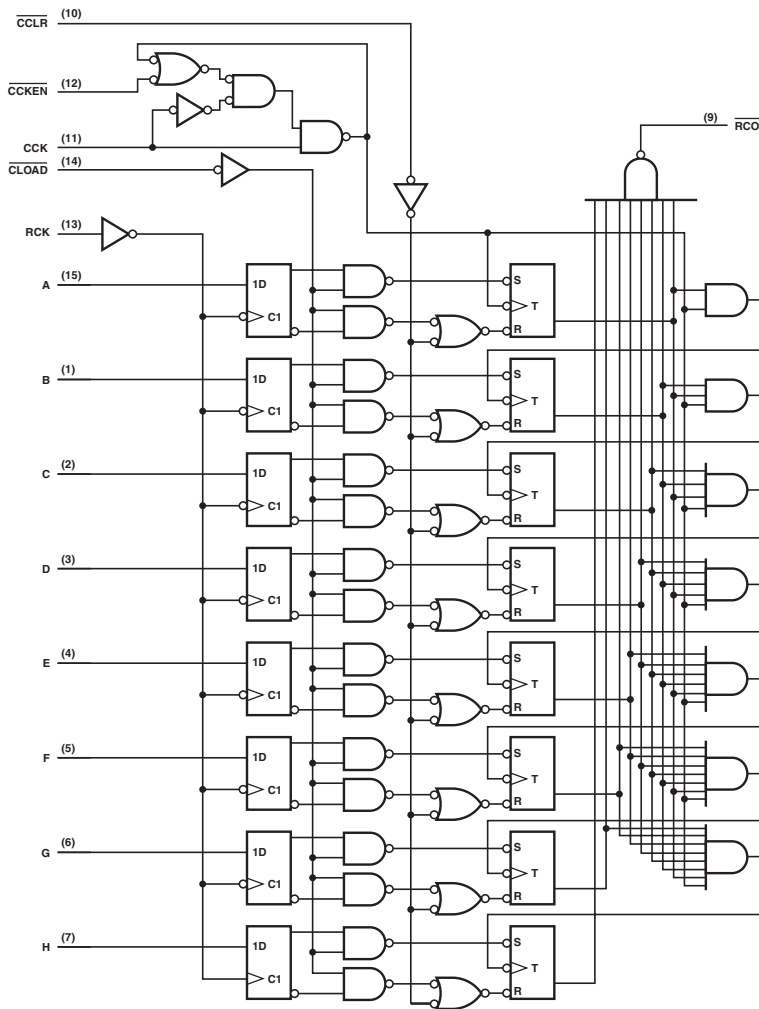
PARAMETER		INPUT	OUTPUT	MAX or MIN	LS	SN74 HC
f <sub>max</sub>		CCK	$\overline{RCO}$	MIN	20	13
t <sub>w</sub>	CCK			MIN	25	31
	CCLR				20	25
	RCK				20	31
t <sub>su</sub>	$\overline{CCLR} \uparrow$ before CCK $\uparrow$			MIN	20	25
	CCK $\uparrow$ before RCK $\uparrow$				40	25
t <sub>PLH</sub>	CCK $\uparrow$	$\overline{RCO}$	MAX	22	45	
t <sub>PHL</sub>				30	45	
t <sub>PLH</sub>	$\overline{CCLR} \downarrow$	$\overline{RCO}$	MAX	45	39	
t <sub>PLH</sub>	RCK $\uparrow$	Q	MAX	18	42	
t <sub>PHL</sub>				33	42	
t <sub>PZH</sub>	$\overline{OE} \downarrow$	Q	MAX	38	37	
t <sub>PZL</sub>				45	37	
t <sub>PHZ</sub>	$\overline{OE} \downarrow$	Q	MAX	30	37	
t <sub>PLZ</sub>				38	37	

UNIT f<sub>max</sub> : MHz, other : ns

## 8-BIT BINARY COUNTERS WITH INPUT REGISTERS

- Parallel Register Inputs
- Counter Has Directly Overriding Load and Clear
- Accurate Counter Frequency: DC to 20MHz

Logic Diagram



## ELECTRICAL CHARACTERISTICS AND RECOMMENDED OPERATING CONDITIONS

PARAMETER	MAX or MIN	LS	UNIT
I <sub>CC</sub>	MAX	60	mA
I <sub>OH</sub>	MAX	-1	mA
I <sub>OL</sub>	MAX	16	mA

## TIMING REQUIREMENTS AND SWITCHING CHARACTERISTICS

PARAMETER	INPUT	OUTPUT	MAX or MIN	LS
f <sub>max</sub>	CCK	$\overline{RCO}$	MIN	20
t <sub>w</sub>	CCK		MIN	25
	$\overline{CCLR}$			20
	RCK			20
	$\overline{CLOAD}$			40
t <sub>su</sub>	$\overline{CCLR} \uparrow$ before CCK $\uparrow$		MIN	20
	$\overline{CLOAD} \uparrow$ before CCK $\uparrow$			20
	RCK $\uparrow$			30
	A to H before RCK			20
t <sub>h</sub>			MIN	0
t <sub>PLH</sub>	CCK $\uparrow$	$\overline{RCO}$	MAX	23
t <sub>PHL</sub>				30
t <sub>PLH</sub>	$\overline{CLOAD} \downarrow$	$\overline{RCO}$	MAX	47
t <sub>PHL</sub>				17
t <sub>PLH</sub>	$\overline{CCLR} \downarrow$	$\overline{RCO}$	MAX	45
t <sub>PLH</sub>	RCK $\uparrow$	$\overline{RCO} \downarrow$	MAX	53
t <sub>PHL</sub>				45

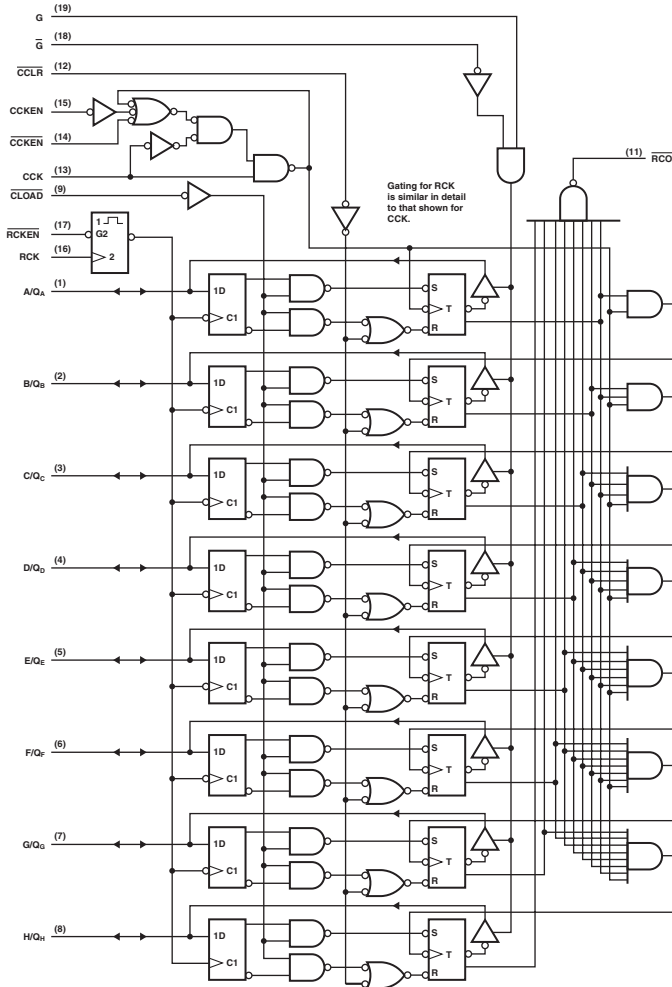
UNIT f<sub>max</sub> : MHz, other : ns



## 8-BIT BINARY COUNTERS WITH INPUT REGISTERS

- Parallel 3-State I/O: Register Inputs/Counter Outputs
- Counter Has Directly Overriding Load and Clear
- Accurate Counter Frequency: DC to 20MHz
- 74ACT11xxx: Product Available in Reduced-Noise Advanced CMOS (11000 Series)

Logic Diagram



## ELECTRICAL CHARACTERISTICS AND RECOMMENDED OPERATING CONDITIONS

PARAMETER		MAX or MIN	LS	ACT 11	UNIT
I <sub>CC</sub>		MAX	85	0.08	mA
I <sub>OH</sub>	$\overline{RCO}$	MAX	-1	-24	mA
	Q	MAX	-2.6	-24	mA
I <sub>OL</sub>	$\overline{RCO}$	MAX	16	24	mA
	Q	MAX	24	24	mA

## TIMING REQUIREMENTS AND SWITCHING CHARACTERISTICS

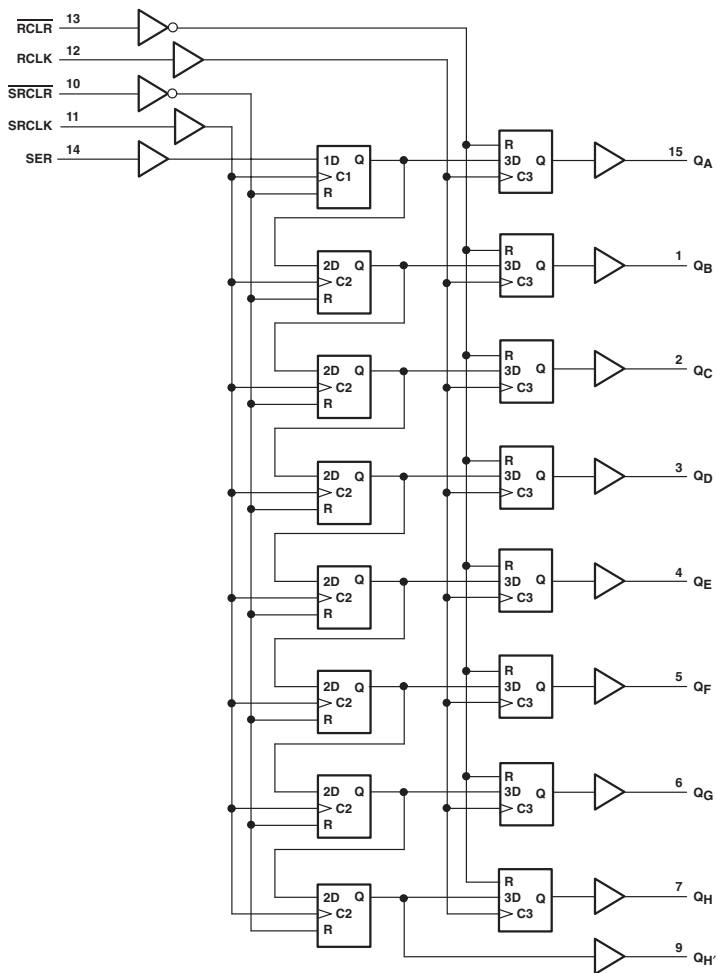
PARAMETER		INPUT	OUTPUT	MAX or MIN	LS	ACT 11
f <sub>max</sub>		CCK	$\overline{RCO}$	MIN	20	52
t <sub>w</sub>	CCK			MIN	25	9.6
	$\overline{CCLR}$				20	7.6
	RCK				20	5.8
	CLOAD				40	6.2
t <sub>su</sub>	$\overline{CCLR} \uparrow$ before CCK $\uparrow$			MIN	20	1.2
	CLOAD $\uparrow$ before CCK $\uparrow$				20	5.1
	RCK $\uparrow$ before CLOAD $\uparrow$				30	7.4
	A to H before RCK				20	2.4
t <sub>h</sub>				MIN	0	0.8
t <sub>PLH</sub>	CCK $\uparrow$	Q	MAX	21	15.1	
t <sub>PHL</sub>				39	15	
t <sub>PLH</sub>	$\overline{CLOAD} \downarrow$	Q	MAX	51	19.1	
t <sub>PHL</sub>				42	21.7	
t <sub>PHL</sub>	$\overline{CCLR} \downarrow$	Q	MAX	38	16	

UNIT f<sub>max</sub> : MHz, other : ns

## 8-BIT SHIFT REGISTERS WITH OUTPUT REGISTERS

- 8-Bit Serial-In, Parallel-Out Shift Registers with Storage
- Independent Direct Overriding Clears on Shift and Storage Registers
- Independent Clocks for Shift and Storage Registers
- Guaranteed Shift Frequency: DC to 20MHz

Logic Diagram



FUNCTION TABLE

INPUTS					FUNCTION
SER	SRCLK	SRCLR	RCLK	RCLR	
X	X	L	X	X	Shift register is cleared.
L	↑	H	X	X	First stage of shift register goes low. Other stages store the data of previous stage, respectively.
H	↑	H	X	X	First stage of shift register goes high. Other stages store the data of previous stage, respectively.
L	↓	H	X	X	Shift register state is not changed.
X	X	X	X	L	Storage register is cleared.
X	X	X	↑	H	Shift register data is stored in the storage register.
X	X	X	↓	H	Storage register state is not changed.

ELECTRICAL CHARACTERISTICS AND RECOMMENDED OPERATING CONDITIONS

PARAMETER		MAX or MIN	LS	SN74 HC	AHC	AHCT	LV 3V	LV 5V	UNIT
I <sub>CC</sub>		MAX	65	0.08	0.04	0.02	-	0.02	mA
I <sub>OH</sub>	QH'	MAX	-1	-4	-4	-4	-6	-12	mA
	Q	MAX	-2.6	-6	-8	-8	-6	-12	mA
I <sub>OL</sub>	QH'	MAX	16	4	4	4	6	12	mA
	QA to QH	MAX	24	6	8	8	6	12	mA

TIMING REQUIREMENTS AND SWITCHING CHARACTERISTICS

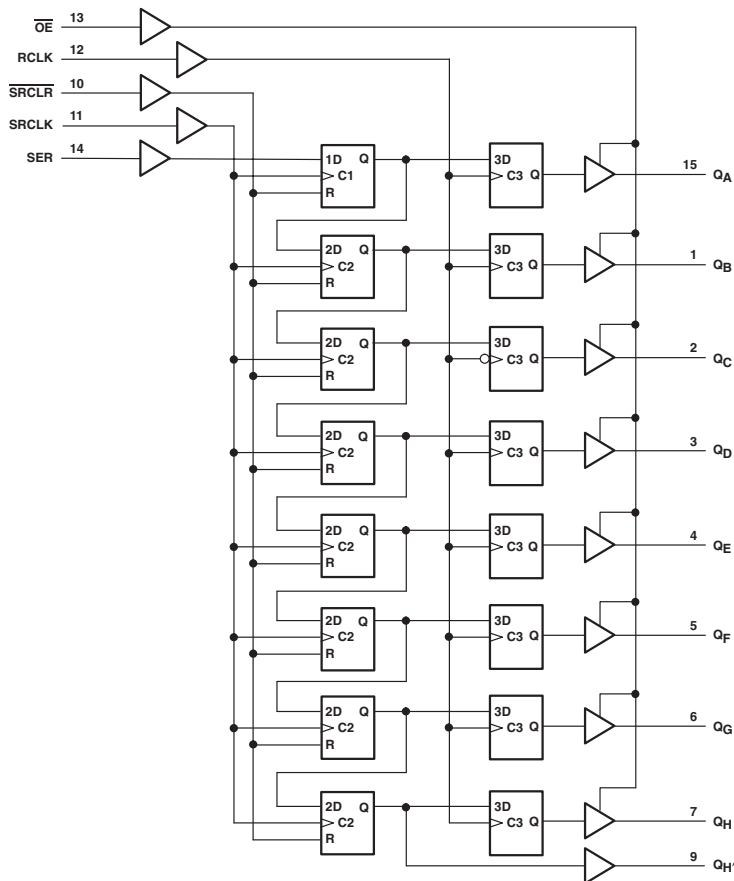
PARAMETER		INPUT	OUTPUT	MAX or MIN	LS	SN74 HC	AHC	AHCT	LV 3V	LV 5V
t <sub>w</sub>	SRCK			MIN	25	20	5	5.5	5.5	5
	RCK				20	20	5	5.5	5.5	5
t <sub>su</sub>	SRCLR ↑ to SRCK ↑			MIN	20	10	3.3	3.3	4.8	3.3
	SER to SRCK ↑				20	22	3	3	3.5	3
	SRCK ↑ to RCK ↑				40	22	5	5	8.5	5
	SRCLR ↓ to RCK ↑				40	13	5	5	9	5
RCLR ↑ to RCK ↑	20	5	3.7		3.8	5.3	3.7			
t <sub>h</sub>			MIN		0	5	2	2	1.5	2
t <sub>PLH</sub>	SRCK ↑	QH'	MAX	18	37	9.1	9.1	12.4	9.1	
t <sub>PHL</sub>				23	37	10.1	10.1	13.9	10.1	
t <sub>PLH</sub>	RCK ↑	QA to QH	MAX	18	37	8.3	8.3	11.1	8.3	
t <sub>PHL</sub>				30	37	9.7	9.7	13.1	9.7	
t <sub>PLH</sub>	SRCLR ↓	QH'	MAX	33	37	10.1	10.1	14	10.1	
t <sub>PHL</sub>				RCLR ↓	QA to QH	57	31	10.7	10.7	14.4

UNIT: ns

## 8-BIT SHIFT REGISTERS WITH 3-STATE OUTPUT REGISTERS

- 8-Bit Serial-In, Parallel-Out Shift Registers with Storage
- 3-State Outputs
- Shift Register Has Direct Clear
- Accurate Shift Frequency: DC to 20MHz

Logic Diagram



FUNCTION TABLE

INPUTS						FUNCTION
SER	SRCLK	SRCLR	RCLK	OE		
X	X	X	X	X	H	Outputs Q <sub>A</sub> -Q <sub>H</sub> are disabled.
X	X	X	X	X	L	Outputs Q <sub>A</sub> -Q <sub>H</sub> are enabled.
X	X	L	X	X	X	Shift register is cleared.
L	↑	H	X	X	X	First stage of the shift register goes low. Other stages store the data of previous stage, respectively.
H	↑	H	X	X	X	First stage of the shift register goes high. Other stages store the data of previous stage, respectively.
X	↓	H	X	X	X	Shift-register state is not changed.
X	X	X	↑	X	X	Shift-register data is stored in the storage register.
X	X	X	↓	X	X	Storage-register state is not changed.

ELECTRICAL CHARACTERISTICS AND RECOMMENDED OPERATING CONDITIONS

PARAMETER		MAX or MIN	LS	SN74 HC	CD74 HC	AHC	AHCT	LV 3V	LV 5V	UNIT
I <sub>CC</sub>		MAX	65	0.08	0.16	0.04	0.04	-	0.02	mA
I <sub>OH</sub>	QH'	MAX	-1	-4	-4	-8	-8	-8	-16	mA
	QA to QH	MAX	-26	-6	-6	-8	-8	-8	-16	mA
I <sub>OL</sub>	QH'	MAX	16	4	4	8	8	8	16	mA
	QA to QH	MAX	24	6	6	8	8	8	16	mA

TIMING REQUIREMENTS AND SWITCHING CHARACTERISTICS

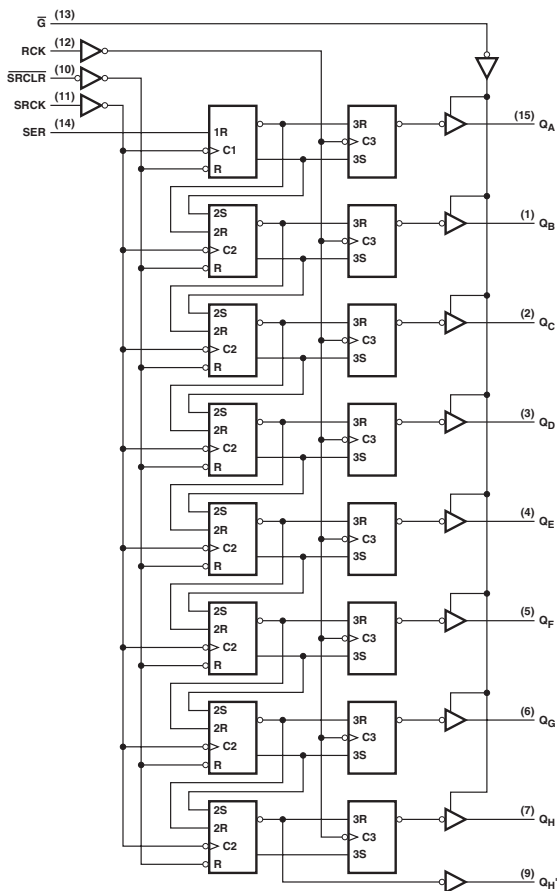
PARAMETER		INPUT	OUTPUT	MAX or MIN	LS	SN74 HC	CD74 HC	AHC	AHCT	LV 3V	LV 5V
t <sub>w</sub>	SRCK			MIN	25	20	20	5	5.5	5.5	5
	RCK				20	20	20	5	5.5	5.5	5
t <sub>su</sub>	SRCLR ↑ to SRCK ↑			MIN	20	12	12	2.5	3.8	3	2.5
	SER to SRCK ↑				20	25	25	3	3	3.5	3
	SRCK ↑ to RCK ↑				40	19	19	5	5	8.5	5
	SRCLR ↓ to RCK ↑				40	13	13	5	5	9	5
t <sub>h</sub>				MIN	0	0	0	2	2	1.5	2
t <sub>PLH</sub>		SRCK ↑	QH'	MAX	18	40	48	11.4	11.4	18.5	11.4
t <sub>PHL</sub>					25	40	48	11.4	11.4	18.5	11.4
t <sub>PLH</sub>		RCK ↑	QA to QH	MAX	18	37	45	10.5	10.5	17	10.5
t <sub>PHL</sub>					35	37	45	10.5	10.5	17	10.5
t <sub>PHL</sub>		SRCLR ↓	QH'	MAX	35	44	44	11.1	11.1	17.2	11.1

UNIT: ns

## 8-BIT SHIFT REGISTERS WITH OUTPUT LATCHES

- 8-Bit Serial-In, Parallel-Out Shift Registers with Storage
- Open-Collector Parallel Outputs
- Shift Register Has Direct Clear
- Accurate Shift Frequency: DC to 20MHz

Logic Diagram



## ELECTRICAL CHARACTERISTICS AND RECOMMENDED OPERATING CONDITIONS

PARAMETER		MAX or MIN	LS	UNIT
I <sub>CC</sub>		MAX	55	mA
I <sub>OH</sub>	QH'	MAX	16	mA
	Q	MAX	24	mA
I <sub>OL</sub>	QH'	MAX	-1	mA
V <sub>OH</sub>	QA to QH	MAX	5.5	V

## TIMING REQUIREMENTS AND SWITCHING CHARACTERISTICS

PARAMETER		INPUT	OUTPUT	MAX or MIN	LS
t <sub>w</sub>	SRCK			MIN	25
	RCK				20
t <sub>su</sub>	SRCLR ↑ to SRCK ↑			MIN	20
	SER to SRCK ↑				20
	SRCK ↑ to RCK ↑				40
	SRCLR ↓ to RCK ↑				40
t <sub>h</sub>			MIN	0	
t <sub>PLH</sub>		SRCK ↑	QH'	MAX	21
t <sub>PHL</sub>					30
t <sub>PLH</sub>		RCK ↑	QA to QH	MAX	42
t <sub>PHL</sub>					35
t <sub>PHL</sub>		SRCLR ↓	QH'	MAX	35

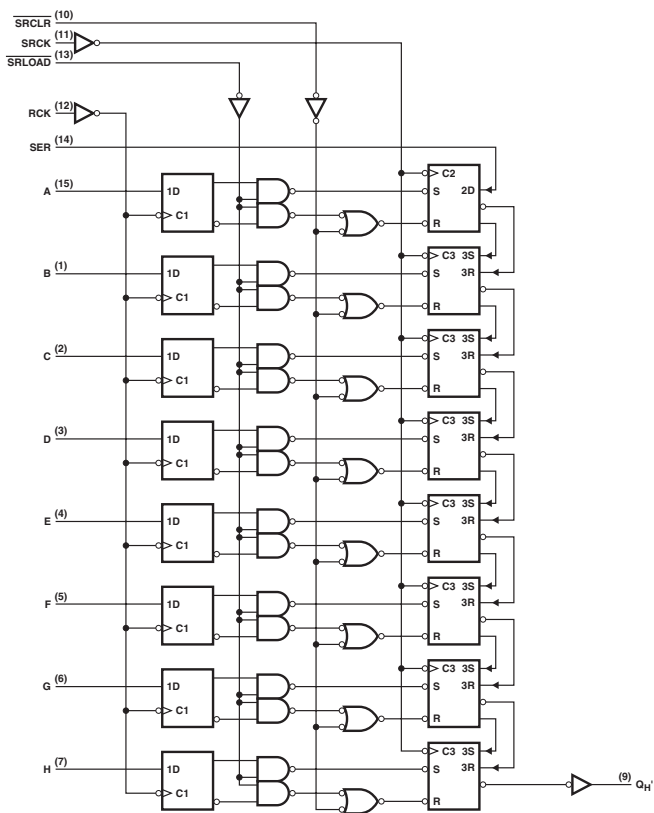
UNIT: ns



## SERIAL-OUT SHIFT REGISTERS WITH INPUT LATCHES

- 8-Bit Parallel Storage Registers Inputs
- Shift Register Has Direct Overriding Load and Clear
- Accurate Shift Frequency: DC to 20MHz

Logic Diagram (SN74LS)



## ELECTRICAL CHARACTERISTICS AND RECOMMENDED OPERATING CONDITIONS

PARAMETER	MAX or MIN	LS	CD74 HC	CD74 HCT	UNIT
I <sub>CC</sub>	MAX	53	0.16	0.16	mA
I <sub>OH</sub>	MAX	-1	-4	-4	mA
I <sub>OL</sub>	MAX	16	4	4	mA

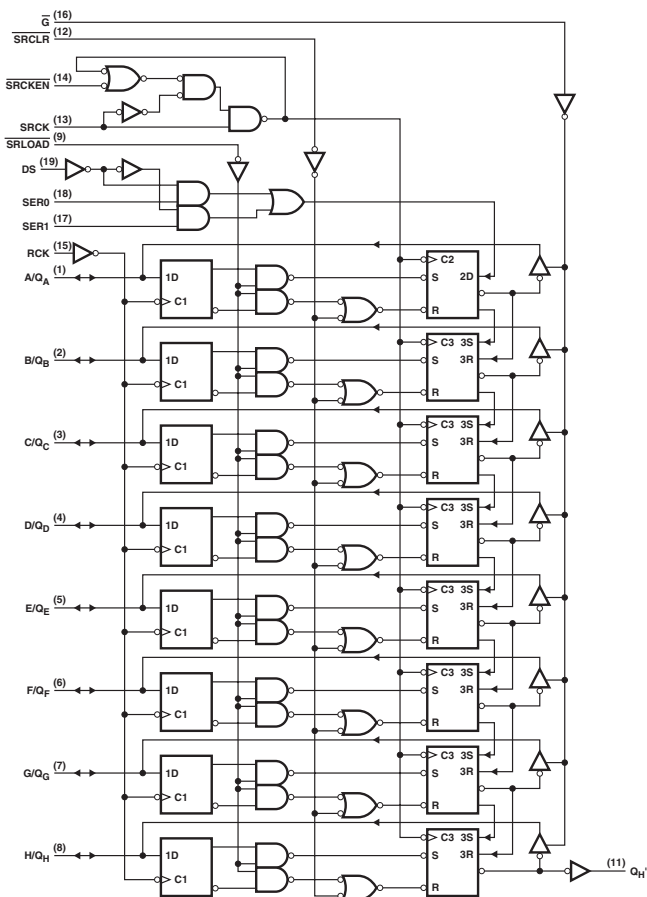
## TIMING REQUIREMENTS AND SWITCHING CHARACTERISTICS

PARAMETER	INPUT	OUTPUT	MAX or MIN	LS	CD74 HC	CD74 HCT
f <sub>max</sub>	SRCK	Q	MIN	20	-	-
	SRCK	QH'	MIN	20	-	-
	SH <sub>CP</sub>		MIN	-	20	16
t <sub>w</sub>	SRCK high		MIN	15	-	-
	SRCK low		MIN	35	-	-
	RCK		MIN	20	-	-
	SRCLR		MIN	20	-	-
	SRLOAD		MIN	40	-	-
	SH <sub>CP</sub>		MIN	-	20	30
	ST <sub>CP</sub>		MIN	-	15	20
	MR		MIN	-	20	27
	PL		MIN	-	18	24
t <sub>su</sub>	Data before RCK ↑		MIN	20	-	-
	SRCLR inactive before SRCK ↑		MIN	25	-	-
	SRLOAD inactive before SRCK ↑		MIN	30	-	-
	RCK ↑ before SRLOAD ↑		MIN	40	-	-
	SER before SRCK ↑		MIN	20	-	-
	ST <sub>CP</sub> to SH <sub>CP</sub>		MIN	-	30	36
	D <sub>s</sub> to SH <sub>CP</sub>		MIN	-	15	15
t <sub>h</sub>	D <sub>n</sub> to ST <sub>CP</sub>		MIN	-	15	15
	LS597 only		MIN	0	-	-
	ST <sub>CP</sub> to SH <sub>CP</sub>			-	0	0
	D <sub>s</sub> to SH <sub>CP</sub>			-	3	3
	D <sub>n</sub> to ST <sub>CP</sub>			-	3	3
		-				
t <sub>PLH</sub>	SRCK ↑	QH'	MAX	23	-	-
t <sub>PHL</sub>				23	-	-
t <sub>PLH</sub>	SRLOAD ↓	QH'	MAX	57	-	-
t <sub>PHL</sub>				44	-	-
t <sub>PLH</sub>	SRCLR ↓	QH'	MAX	36	-	-
t <sub>PHL</sub>				60	-	-
t <sub>PLH</sub>	RCK ↑	QH'	MAX	48	-	-
t <sub>PHL</sub>				-	53	57
t <sub>PLH</sub>	SH <sub>CP</sub>	Q7	MAX	-	53	57
t <sub>PHL</sub>				-	60	72
t <sub>PLH</sub>	PL	Q7	MAX	-	60	72
t <sub>PHL</sub>				-	72	84
t <sub>PLH</sub>	ST <sub>CP</sub>	Q7	MAX	-	72	84
t <sub>PHL</sub>				-	53	66
t <sub>PLH</sub>	MR	Q7	MAX	-	53	66
t <sub>PHL</sub>				-	53	66

UNIT f<sub>max</sub> : MHz, other : ns

## 8-BIT SHIFT REGISTERS WITH INPUT LATCHES

Logic Diagram



## ELECTRICAL CHARACTERISTICS AND RECOMMENDED OPERATING CONDITIONS

PARAMETER	MAX or MIN	LS	UNIT
I <sub>CC</sub>	MAX	85	mA
I <sub>OH</sub>	MAX	-2.6	mA
I <sub>OL</sub>	MAX	24	mA

## TIMING REQUIREMENTS AND SWITCHING CHARACTERISTICS

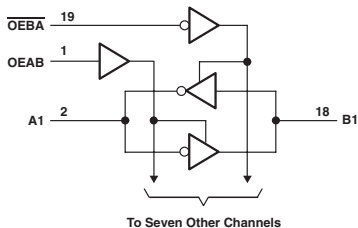
PARAMETER	INPUT	OUTPUT	MAX or MIN	LS
f <sub>max</sub>	SRCK	Q	MIN	20
	SRCK	QHB	MIN	20
t <sub>w</sub>	SRCK high		MIN	15
	SRCK low		MIN	35
	RCK		MIN	20
	SRCLR		MIN	20
	SRLOAD		MIN	40
t <sub>su</sub>	Data before RCK ↑		MIN	20
	DS before RCK ↑		MIN	30
	SRCKEN low before SRCK ↑		MIN	20
	SRCLR inactive before SRCK ↑		MIN	25
	SRLOAD inactive before SRCK ↑		MIN	30
	RCK ↑ before SRLOAD ↑		MIN	40
SER before SRCK ↑		MIN	20	
t <sub>h</sub>			MIN	0
t <sub>PLH</sub>	SRCK ↑	QHB	MAX	17
t <sub>PHL</sub>				23
t <sub>PLH</sub>	SRLOAD ↓	QHB	MAX	42
t <sub>PHL</sub>				39
t <sub>PHL</sub>	SRCLR ↓	QHB	MAX	27
t <sub>PLH</sub>				RCK ↑
t <sub>PHL</sub>	36			
t <sub>PLH</sub>	SHCP	Q7	MAX	18
t <sub>PHL</sub>				28

UNIT f<sub>max</sub> : MHz, other : ns

## OCTAL BUS TRANSCEIVERS WITH 3-STATE OUTPUTS

- Local Bus-Latch Capability
- 3-State Inverting Outputs
- 74AC11xxx: Product Available in Reduced-Noise Advanced CMOS (11000 Series)
- 74ACT11xxx: Product Available in Reduced-Noise Advanced CMOS (11000 Series)

### Logic Diagram



### FUNCTION TABLE

ENABLE INPUTS		OPERATION
OEBA	OEAB	
L	L	B data to Abus
H	H	A data to B bus
H	L	Isolation
L	H	B data to Abus A data to B bus

### ELECTRICAL CHARACTERISTICS AND RECOMMENDED OPERATING CONDITIONS

PARAMETER	MAX or MIN	LS	ALS	ALS-1	AS	SN74 HC	SN74 BCT	ABT	AC 11	ACT 11	UNIT
I <sub>CCZ</sub>	MAX	95	47	47	77	0.08	10	0.25	0.08	0.008	mA
I <sub>CCL</sub>	MAX	90	44	44	122	0.08	84	30	0.08	0.008	mA
I <sub>OH</sub> (A port)	MAX	-15	-15	-15	-15	-6	-3	-32	-24	-24	mA
I <sub>OH</sub> (B port)	MAX	-15	-15	-15	-15	-6	-15	-32	-24	-24	mA
I <sub>OL</sub> (A port)	MAX	24	24	48	64	6	24	64	24	24	mA
I <sub>OL</sub> (B port)	MAX	24	24	48	64	6	64	64	24	24	mA

### SWITCHING CHARACTERISTICS

PARAMETER	INPUT	OUTPUT	MAX or MIN	LS	ALS	ALS-1	AS	SN74 HC	SN74 BCT	ABT	AC 11	ACT 11
t <sub>PLH</sub>	A	B	MAX	10	10	10	7	26	5.8	4.8	7.4	9.4
				15	10	10	6	26	3.6	4.8	7.1	8.6
t <sub>PHL</sub>	B	A	MAX	10	10	10	7	26	6.9	4.8	7.4	9.4
				15	10	10	6	26	3.9	4.8	7.1	8.6
t <sub>PZH</sub>	OEBA	A	MAX	40	17	17	8	53	10.6	5.5	8.9	10.3
				40	25	25	9	53	11.1	7.1	8.5	10.1
t <sub>PZL</sub>	OEBA	A	MAX	25	12	12	6	38	10	7	8.1	10.4
				25	18	18	12	38	7.8	5.8	8.7	10.9
t <sub>PZH</sub>	OEAB	B	MAX	40	18	18	8	53	7.4	6.8	8.8	11.3
				40	25	25	9	53	9	6.4	8.8	11
t <sub>PZL</sub>	OEAB	B	MAX	25	12	12	6	38	8.1	6.5	8.2	9.4
				25	18	18	13	38	5.9	5.6	8.6	9.6

UNIT: ns

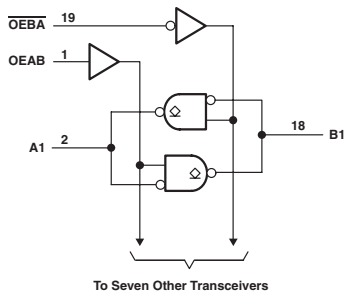
## OCTAL BUS TRANSCEIVERS

- Local Bus-Latch Capability
- Open-Collector True Outputs
- Schmitt-Triggered Inputs (SN74LS621)

FUNCTION TABLE

ENABLE INPUTS		OPERATION
OEBA	OEAB	
L	L	B data to Abus
H	H	A data to B bus
H	L	Isolation
L	H	B data to Abus A data to B bus

Logic Diagram



## ELECTRICAL CHARACTERISTICS AND RECOMMENDED OPERATING CONDITIONS

PARAMETER	MAX or MIN	LS	ALS	ALS A-1	AS	UNIT
I <sub>CC</sub>	MAX	90	48	48	189	mA
V <sub>OH</sub>	MAX	5.5	5.5	5.5	5.5	V
I <sub>OL</sub>	MAX	24	24	48	64	mA

## SWITCHING CHARACTERISTICS

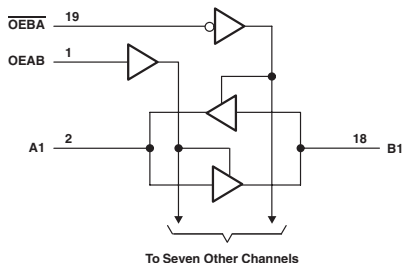
PARAMETER	INPUT	OUTPUT	MAX or MIN	LS	ALS	ALS A-1	AS
t <sub>PLH</sub>	A	B	MAX	25	33	33	24
				25	20	20	21
t <sub>PHL</sub>	B	A	MAX	25	33	33	7.5
				25	20	20	7.5
t <sub>PLH</sub>	OEBA	A	MAX	40	39	39	21
				50	35	35	9
t <sub>PHL</sub>	OEAB	B	MAX	40	39	39	22
				50	35	35	10

UNIT: ns

## OCTAL BUS TRANSCEIVERS WITH 3-STATE OUTPUTS

- Local Bus-Latch Capability
- 3-State True Outputs
- Schmitt-Triggered Inputs (SN74LS623)
- 74AC11xxx: Product Available in Reduced-Noise Advanced CMOS (11000 Series)
- 74ACT11xxx: Product Available in Reduced-Noise Advanced CMOS (11000 Series)

### Logic Diagram (SN74)



### FUNCTION TABLE (SN74)

ENABLE INPUTS		OPERATION
OEBA	OEAB	
L	L	B data to Abus
H	H	A data to B bus
H	L	Isolation
L	H	B data to Abus A data to B bus

### ELECTRICAL CHARACTERISTICS AND RECOMMENDED OPERATING CONDITIONS

PARAMETER	MAX or MIN	LS	ALS	AS	F	SN74 HC	SN74 HCT	SN74 BCT	ABT	AC 11	ACT 11	CD74 AC	CD74 ACT	UNIT
I <sub>CCZ</sub>	MAX	95	55	116	130	0.08	0.08	11	0.25	0.08	0.04	0.16	0.16	mA
I <sub>CCL</sub>	MAX	90	50	189	140	0.08	0.08	92	30	0.08	0.04	0.16	0.16	mA
I <sub>OH</sub> (A port)	MAX	-15	-15	-15	-3	-6	-6	-3	-32	-24	-24	-24	-24	mA
I <sub>OH</sub> (B port)	MAX	-15	-15	-15	-15	-6	-6	-15	-32	-24	-24	-24	-24	mA
I <sub>OL</sub> (A port)	MAX	24	24	64	24	6	6	24	64	24	24	24	24	mA
I <sub>OL</sub> (B port)	MAX	24	24	64	64	6	6	64	64	24	24	24	24	mA

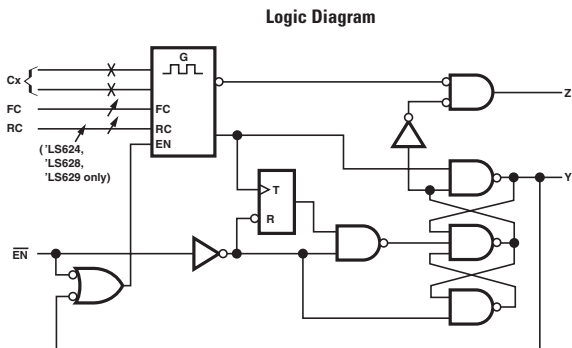
### SWITCHING CHARACTERISTICS

PARAMETER	INPUT	OUTPUT	MAX or MIN	LS	ALS	AS	F	SN74 HC	SN74 HCT	SN74 BCT	ABT	AC 11	ACT 11	CD74 AC	CD74 ACT
t <sub>PLH</sub>	A	B	MAX	15	13	9	6.5	26	28	5.2	4.6	7.8	8.5	9.6	10.6
				15	11	8	7.5	26	28	7.4	4.6	7.1	7.9	9.6	10.6
t <sub>PHL</sub>	B	A	MAX	15	13	9	6.5	26	28	6.7	4.6	7.8	8.5	9.6	10.6
				15	11	8.5	7.5	26	28	8	4.6	7.1	7.9	9.6	10.6
t <sub>PZH</sub>	OEBA	A	MAX	40	22	11	12	53	53	10.6	7.5	9	9.7	13.4	14.4
				40	22	10	10	53	53	10.7	7.5	9.1	10	13.4	14.4
t <sub>PHZ</sub>	OEBA	A	MAX	25	16	7.5	7.5	38	38	9.8	7.5	8.3	10.9	13.4	14.4
				25	19	11.5	7	38	38	7.8	7.5	8.8	11.5	13.4	14.4
t <sub>PLZ</sub>	OEAB	B	MAX	40	22	11.5	11.5	53	53	7.6	7.5	9.2	10.7	13.4	14.4
				40	22	11	9.5	53	53	8.9	7.5	9.4	10.9	13.4	14.4
t <sub>PHZ</sub>	OEAB	B	MAX	25	16	7	10	38	38	7.7	7.5	8.3	9.5	13.4	14.4
				25	19	9	10	38	38	7.1	7.5	8.8	10	13.4	14.4

UNIT: ns

## VOLTAGE-CONTROLLED OSCILLATORS

- This Voltage Oscillators (VCOs) is Improved Versions of The Original VCO Family: SN74124, 324, 325, 326, 327
- Separate Supply Voltage Pins for Isolation of Frequency Control Inputs and Oscillators from Outputs Circuitry
- Highly Stable Operation over Specified Temperature and / or Supply Voltage Ranges



## ELECTRICAL CHARACTERISTICS AND RECOMMENDED OPERATING CONDITIONS

PARAMETER	MAX or MIN	LS	UNIT
$I_{CC}$	MAX	35	mA
$I_{OL}$	MAX	24	mA
$I_{OH}$	MAX	-1.2	mA

## TIMING REQUIREMENTS AND SWITCHING CHARACTERISTICS

PARAMETER	MAX or MIN	LS
$f_o$	MAX	25

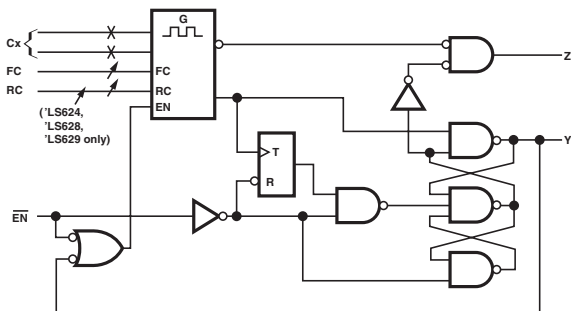
UNIT: MHz



## VOLTAGE-CONTROLLED OSCILLATORS

- This Voltage Oscillators (VCOs) is Improved Versions of The Original VCO Family: SN74124, 324, 325, 326, 327
- Separate Supply Voltage Pins for Isolation of Frequency Control Inputs and Oscillators from Outputs Circuitry
- Highly Stable Operation over Specified Temperature and / or Supply Voltage Ranges
- Two Rexternal Pins Can Offer More Precise Temperature Compensation

Logic Diagram



## ELECTRICAL CHARACTERISTICS AND RECOMMENDED OPER

PARAMETER	MAX or MIN	LS	UNIT
$I_{CC}$	MAX	35	mA
$I_{OH}$	MAX	-1.2	mA
$I_{OL}$	MAX	24	mA

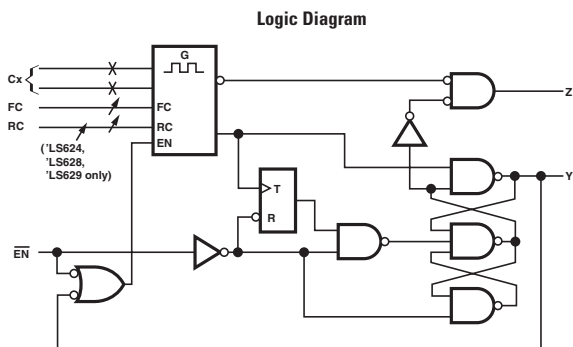
## TIMING REQUIREMENTS AND SWITCHING CHARACTERISTIC

PARAMETER	MAX or MIN	LS
$f_o$	MAX	25

UNIT: MHz

## DUAL VOLTAGE-CONTROLLED OSCILLATORS

- This Voltage Oscillators (VCOs) is Improved Versions of The Original VCO Family: SN74124, 324, 325, 326, 327
- Separate Supply Voltage Pins for Isolation of Frequency Control Inputs and Oscillators from Outputs Circuitry
- Highly Stable Operation over Specified Temperature and / or Supply Voltage Ranges



## ELECTRICAL CHARACTERISTICS AND RECOMMENDED OPERATING CONDITIONS

PARAMETER	MAX or MIN	LS	UNIT
$I_{CC}$	MAX	55	mA
$I_{OH}$	MAX	-1.2	mA
$I_{OL}$	MAX	24	mA

## TIMING REQUIREMENTS AND SWITCHING CHARACTERISTICS

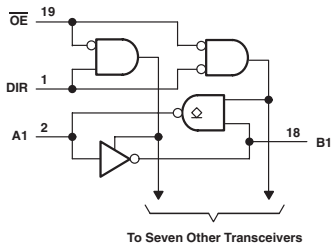
PARAMETER	MAX or MIN	LS
$f_o$	MAX	25

UNIT: MHz

## OCTAL BUS TRANSCEIVERS

- Bidirectional Bus Transceivers
- Inverting Logic
- Outputs A-Bus: Open-Collector 3-State
- Schmitt-Triggered Inputs (SN74LS638)

Logic Diagram



FUNCTION TABLE

CONTROL INPUTS		OPERATION
OE	DIR	
L	L	B data to A bus
L	H	A data to B bus
H	X	Isolation

## ELECTRICAL CHARACTERISTICS AND RECOMMENDED OPERATING CONDITIONS

PARAMETER	MAX or MIN	LS	ALS	ALS A-1	AS	UNIT
I <sub>CCZ</sub>	MAX	95	30	30	61	mA
I <sub>CCL</sub>	MAX	90	41	41	122	mA
I <sub>OH</sub> (B)	MAX	-15	-15	-15	-15	mA
V <sub>OH</sub> (A)	MAX	5.5	5.5	5.5	5.5	V
I <sub>OL</sub>	MAX	24	24	48	64	mA

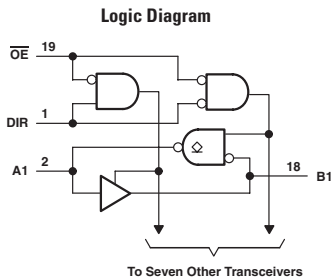
## SWITCHING CHARACTERISTICS

PARAMETER	INPUT	OUTPUT	MAX or MIN	LS	ALS	ALS A-1	AS
				ns	ns	ns	ns
t <sub>PLH</sub>	A	B	MAX	10	12	12	7
				15	12	12	6.5
t <sub>PHL</sub>	B	A	MAX	25	25	25	20
				25	30	30	7
t <sub>PLH</sub>	OE	A	MAX	40	25	25	19
				60	45	45	9
t <sub>PHL</sub>	OE	B	MAX	40	20	20	8
				40	22	22	10
t <sub>PHZ</sub>	OE	B	MAX	25	10	10	7
				25	15	15	10

UNIT: ns

## OCTAL BUS TRANSCEIVERS

- Bidirectional Bus Transceivers
- True Logic
- Outputs A-Bus: Open-Collector 3-State
- Schmitt-Triggered Inputs (SN74LS638)



FUNCTION TABLE

CONTROL INPUTS		OPERATION
$\overline{OE}$	DIR	
L	L	B data to A bus
L	H	A data to B bus
H	X	Isolation

## ELECTRICAL CHARACTERISTICS AND RECOMMENDED OPERATING CONDITIONS

PARAMETER	MAX or MIN	ALS A-1				UNIT
		LS	ALS	AS	AS	
$I_{CCZ}$	MAX	95	54	54	100	mA
$I_{CCL}$	MAX	90	50	50	154	mA
$I_{OH} (B)$	MAX	-15	-15	-15	-15	mA
$V_{OH} (A)$	MAX	5.5	5.5	5.5	5.5	V
$I_{OL}$	MAX	24	24	48	64	mA

## SWITCHING CHARACTERISTICS

PARAMETER	INPUT	OUTPUT	MAX or MIN	ALS A-1			
				LS	ALS	AS	AS
$t_{PLH}$	A	B	MAX	15	12	12	9.5
$t_{PHL}$				15	12	12	9
$t_{PLH}$	B	A	MAX	25	30	30	22
$t_{PHL}$				25	22	22	9
$t_{PLH}$	$\overline{OE}$	A	MAX	40	30	30	21.5
$t_{PHL}$				50	35	35	11.5
$t_{PZH}$	$\overline{OE}$	B	MAX	40	21	21	10.5
$t_{PZL}$				40	25	25	10.5
$t_{PHZ}$	$\overline{OE}$	B	MAX	25	10	10	7
$t_{PLZ}$				25	16	16	10.5

UNIT: ns





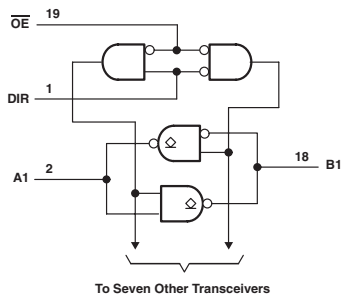
## OCTAL BUS TRANSCEIVERS WITH OPEN-COLLECTOR OUTPUTS

- Bidirectional Bus Transceivers
- Inverting Logic
- 3-State Outputs
- Schmitt-Triggered Inputs (SN74LS642)

### FUNCTION TABLE

CONTROL INPUTS		OPERATION
OE	DIR	
L	L	$\overline{B}$ data to A bus
L	H	A data to B bus
H	X	Isolation

### Logic Diagram



### ELECTRICAL CHARACTERISTICS AND RECOMMENDED OPERATING CONDITIONS

PARAMETER	MAX or MIN	LS	LS-1	ALS	ALS A-1	AS	UNIT
$I_{CCZ}$	MAX	95	95	-	-	-	mA
$I_{CCL}$	MAX	90	90	28	28	104	mA
$V_{OH}$	MAX	5.5	5.5	5.5	5.5	5.5	V
$I_{OL}$	MAX	24	48	24	48	64	mA

### SWITCHING CHARACTERISTICS

PARAMETER	INPUT	OUTPUT	MAX or MIN	LS	LS-1	ALS	ALS A-1	AS
$t_{PLH}$	A	B	MAX	25	25	30	30	24
$t_{PHL}$				25	25	22	22	7.5
$t_{PLH}$	B	A	MAX	25	25	30	30	24
$t_{PHL}$				25	25	22	22	7.5
$t_{PLH}$	$\overline{OE}$ , DIR	A	MAX	40	40	30	30	23.5
$t_{PHL}$				60	60	38	38	11.5
$t_{PLH}$	$\overline{OE}$ , DIR	B	MAX	40	40	30	30	23.5
$t_{PHL}$				60	60	38	38	11.5

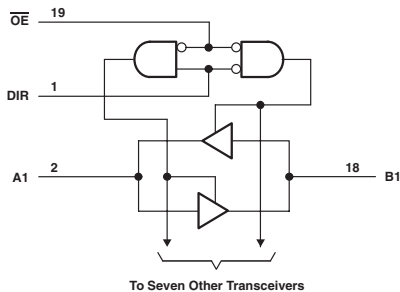
UNIT: ns

# 645

## OCTAL BUS TRANSCEIVERS WITH 3-STATE OUTPUTS

- Bidirectional Bus Transceivers
- True Logic
- 3-State Outputs
- Schmitt-Triggered Inputs (SN74LS645, 645-1)

### Logic Diagram



### FUNCTION TABLE

CONTROL INPUTS		OPERATION
$\overline{OE}$	DIR	
L	L	B data to A bus
L	H	A data to B bus
H	X	Isolation

### ELECTRICAL CHARACTERISTICS AND RECOMMENDED OPERATING CONDITIONS

PARAMETER	MAX or MIN	LS	LS-1	ALS	ALS A-1	AS	SN74 HC	SN74 HCT	UNIT
$I_{CCZ}$	MAX	95	95	58	58	123	0.08	0.08	mA
$I_{CCL}$	MAX	90	90	55	55	149	0.08	0.08	mA
$I_{OH}$	MAX	-15	-15	-15	-15	-15	-6	-6	mA
$I_{OL}$	MAX	24	48	24	48	64	6	6	mA

### SWITCHING CHARACTERISTICS

PARAMETER	INPUT	OUTPUT	MAX or MIN	LS	LS-1	ALS	ALS A-1	AS	SN74 HC	SN74 HCT
$t_{PLH}$	A	B	MAX	15	15	10	10	9.5	26	28
$t_{PHL}$				15	15	10	10	9	26	28
$t_{PLH}$	B	A	MAX	15	15	10	10	9.5	26	28
$t_{PHL}$				15	15	10	10	9	26	28
$t_{PZH}$	$\overline{OE}$	A	MAX	40	40	20	20	11	58	58
$t_{PZL}$				40	40	20	20	10	58	58
$t_{PHZ}$	$\overline{OE}$	A	MAX	25	25	10	10	7	50	50
$t_{PLZ}$				25	25	15	15	12	50	50
$t_{PZH}$	$\overline{OE}$	B	MAX	40	40	20	20	11	58	58
$t_{PZL}$				40	40	20	20	10	58	58
$t_{PHZ}$	$\overline{OE}$	B	MAX	25	25	10	10	7	50	50
$t_{PLZ}$				25	25	15	15	12	50	50

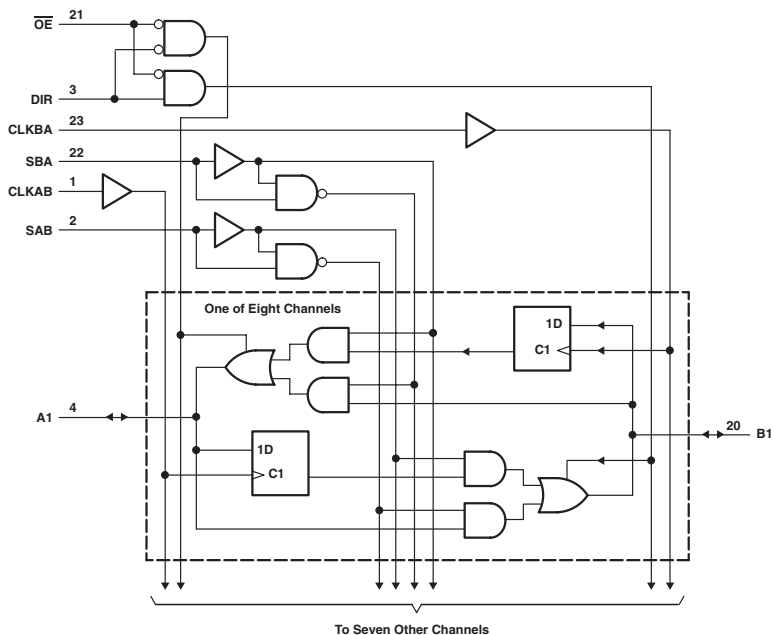
UNIT: ns



## OCTAL BUS TRANSCEIVERS AND REGISTERS WITH 3-STATE OUTPUTS

- Bidirectional Bus Transceivers
- Independent Registers for A and B Buses
- Multiplexed Real-Time and Stored Data
- True Data Paths
- 3-State Outputs
- 74AC11xxx: Product Available in Reduced-Noise Advanced CMOS (11000 Series)
- 74ACT11xxx: Product Available in Reduced-Noise Advanced CMOS (11000 Series)

Logic Diagram (SN74)



## ELECTRICAL CHARACTERISTICS AND RECOMMENDED OPERATING CONDITIONS

PARAMETER	MAX or MIN	LS	ALS	ALS A-1	AS	SN74 HC	CD74 HC	SN74 HCT	CD74 HCT	SN74 BCT	ABT	ABT Ver.A	UNIT
$I_{CC}$	MAX	165	88	88	211	0.08	0.16	0.08	0.16	67	30	30	mA
$I_{OH}$	MAX	-15	-15	-15	-15	-6	-6	-6	-6	-15	-32	-32	mA
$I_{OL}$	MAX	24	24	48	48	6	6	6	6	64	64	64	mA

PARAMETER	MAX or MIN	LVTH 3V	AC 11	CD74 AC	ACT 11	CD74 ACT	LVC 3V	UNIT
$I_{CC}$	MAX	5	0.08	0.08	0.08	0.08	0.01	mA
$I_{OH}$	MAX	-32	-24	-24	-24	-24	-24	mA
$I_{OL}$	MAX	64	24	24	24	24	24	mA

FUNCTION TABLE (SN74)

INPUTS						DATA I/O†		OPERATION OR FUNCTION			
OE	DIR	CLKAB	CLKBA	SAB	SBA	A1-A8	B1-B8				
H	X	H to L	H to L	X	X	Input	Input	Isolation			
H	X	↑	↑	X	X	Input	Input	Store A and B data			
L	L	X	X	X	L	Output	Input	Real-time B data to A bus			
L	L	X	H to L	X	H	Output	Input	Stored B data to A bus			
L	H	X	X	L	X	Input	Output	Real-time A data to B bus			
L	H	H to L	X	H	X	Input	Output	Stored A data to B bus			

† The data output functions can be enabled or disabled by various signals at OE and DIR. Data input functions are always enabled; i.e., data at the bus terminals is stored on every low-to-high transition of the clock inputs.

## TIMING REQUIREMENTS AND SWITCHING CHARACTERISTICS

PARAMETER	INPUT	OUTPUT	MAX or MIN	LS	ALS	ALS A-1	AS	SN74 HC	CD74 HC	SN74 HCT	CD74 HCT	SN74 BCT
f <sub>max</sub>			MIN	-	40	40	90	27	20	27	17	83
t <sub>w</sub>	CLKBA,CLKAB "H"		MIN	15	12.5	12.5	5	19	24	19	38	6
	CLKBA,CLKAB "L"			30	12.5	12.5	6	19	24	19	38	6
	DATA			30	-	-	-	-	-	-	-	-
t <sub>su</sub>	CLKBA,CLKAB "H"		MIN	15	10	10	6	25	-	25	18	6
	CLKBA,CLKAB "L"			15	10	10	6	25	-	25	18	6
t <sub>h</sub>	CLKBA,CLKAB		MIN	0	0	0	5	11	5	5	0.5	
↑P <sub>LH</sub>	CLOCK	A,B	MAX	25	30	30	8.5	45	66	45	66	11.2
↑P <sub>HL</sub>				35	17	17	9	45	66	45	66	10.6
↑P <sub>LH</sub>	A,B	B,A	MAX	18	20	20	9	34	41	34	56	9.5
↑P <sub>HL</sub>				20	12	12	7	34	41	34	56	10.5
↑P <sub>LH</sub>	SAB,SBA (sored data high)	A,B	MAX	40	25	25	11	48	51	48	69	13.8
↑P <sub>HL</sub>				35	20	20	9	48	51	48	69	9.1
↑P <sub>LH</sub>	SAB,SBA (sored data low)	A,B	MAX	50	35	35	11	48	51	48	69	12
↑P <sub>HL</sub>				25	20	20	9	48	51	48	69	12.9
↑P <sub>ZH</sub>	OE	A,B	MAX	55	17	17	9	61	53	61	68	13.2
↑P <sub>ZL</sub>				65	20	20	14	61	53	61	68	14.4
↑P <sub>HZ</sub>	OE	A,B	MAX	35	10	10	9	61	53	61	53	10.9
↑P <sub>LZ</sub>				35	16	16	9	61	53	61	53	10.5
↑P <sub>ZH</sub>	DIR	A,B	MAX	45	30	30	16	61	53	61	-	13.1
↑P <sub>ZL</sub>				60	25	25	18	61	53	61	-	14.6
↑P <sub>HZ</sub>	DIR	A,B	MAX	30	10	10	10	61	53	61	-	12.6
↑P <sub>LZ</sub>				30	16	16	10	61	53	61	-	11.8

PARAMETER	INPUT	OUTPUT	MAX or MIN	ABT	ABT Ver.A	LVTH 3V	AC 11	CD74 AC	AC 11	CD74 ACT	LVC 3V
f <sub>max</sub>			MIN	125	125	150	100	125	105	110	150
t <sub>w</sub>	CLKBA,CLKAB "H"		MIN	4	4	3.3	5	4	4.8	4.5	3.3
	CLKBA,CLKAB "L"			4	4	3.3	5	4	4.8	4.5	3.3
	DATA			-	-	-	-	-	-	-	-
t <sub>su</sub>	CLKBA,CLKAB "H"		MIN	3.5	3	1.2	4.5	2.5	4.5	2.5	1.5
	CLKBA,CLKAB "L"			3	3	1.6	4.5	2.5	4.5	2.5	1.5
t <sub>h</sub>	CLKBA,CLKAB		MIN	0	0	0.8	1	2	2.5	2	1.7
↑P <sub>LH</sub>	CLOCK	A,B	MAX	7.8	5.6	4.7	11	13.5	13.5	15.5	8.4
↑P <sub>HL</sub>				8.4	5.6	4.7	12.2	13.5	14.9	15.5	8.4
↑P <sub>LH</sub>	A,B	B,A	MAX	6.9	4.8	3.5	8.8	11	11.5	12.5	7.4
↑P <sub>HL</sub>				6.9	5.4	3.5	9.8	11	12	12.5	7.4
↑P <sub>LH</sub>	SAB,SBA (sored data high)	A,B	MAX	7.1	6.5	4.9	9.4	12	11.5	14.5	8.6
↑P <sub>HL</sub>				7.9	5.9	4.9	10.7	12	13.5	14.5	8.6
↑P <sub>LH</sub>	SAB,SBA (sored data low)	A,B	MAX	7.1	6.5	4.9	9.9	12	12.4	14.5	8.6
↑P <sub>HL</sub>				7.9	5.9	4.9	11	12	13.1	14.5	8.6
↑P <sub>ZH</sub>	OE	A,B	MAX	6.3	6.3	5.2	12	13.5	14.4	15.5	8.2
↑P <sub>ZL</sub>				8.8	8.8	5.2	13.1	13.5	15.3	15.5	8.2
↑P <sub>HZ</sub>	OE	A,B	MAX	8.3	5	5.5	8.9	13.5	11.6	15.5	7.5
↑P <sub>LZ</sub>				7.5	4.5	5.5	8.3	13.5	10.6	15.5	7.5
↑P <sub>ZH</sub>	DIR	A,B	MAX	6.7	6.7	5.2	12.6	13.5	15.3	15.5	8.3
↑P <sub>ZL</sub>				9.5	9.5	5.2	13.7	13.5	16.5	15.5	8.3
↑P <sub>HZ</sub>	DIR	A,B	MAX	7.7	5.7	5.6	8.7	13.5	11.3	15.5	7.9
↑P <sub>LZ</sub>				8.2	6	5.6	8.1	13.5	10.3	15.5	7.9

UNIT f<sub>max</sub>: MHz other: ns

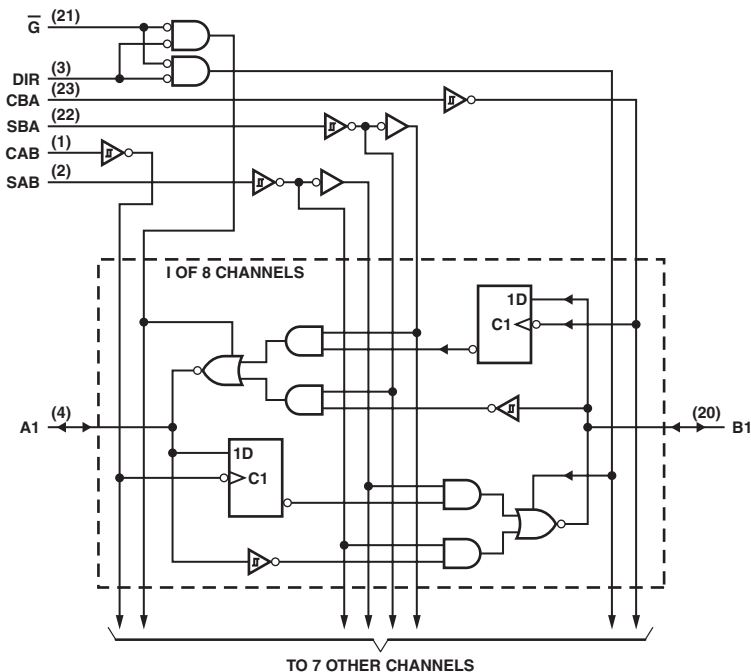
## CD74HC: NOT RECOMMENDED FOR NEW DESIGNS

PRODUCTION DATA information is current as of publication date. Products conform to specifications per the terms of Texas Instruments standard warranty. Production processing does not necessarily include testing of all parameters. See www.ti.com/sc/logic for the most current data sheets.

## OCTAL BUS TRANSCEIVERS AND REGISTERS

- Bidirectional Bus Transceivers
- Independent Registers for A and B Buses
- Multiplexed Real-Time and Stored Data
- True Data Paths
- Open-Collector Outputs

Logic Diagram



**FUNCTION TABLE**

INPUTS						DATA I/O†		OPERATION OR FUNCTION
$\bar{G}$	DIR	CAB	CBA	SAB	SBA	A1–A8	B1–B8	
H	X	H to L	H to L	X	X	Input	Input	Isolation Store A and B data
H	X	↑	↑	X	X	Input	Input	
L	L	X	X	X	L	Output	Input	Real-time B data to A bus Stored B data to A bus
L	L	X	H to L	X	H	Output	Output	
L	H	X	X	L	X	Input	Output	Real-time A data to B bus Stored A data to B bus
L	H	H to L	X	H	X	Input	Output	

† The data output functions can be enabled or disabled by various signals at OE and DIR. Data input functions are always enabled; i.e., data at the bus terminals is stored on every low-to-high transition of the clock inputs.

**ELECTRICAL CHARACTERISTICS AND RECOMMENDED OPERATING CONDITIONS**

PARAMETER	MAX or MIN	LS	UNIT
I <sub>CC</sub>	MAX	150	mA
V <sub>OH</sub>	MAX	5.5	V
I <sub>OL</sub>	MAX	24	mA

**TIMING REQUIREMENTS AND SWITCHING CHARACTERISTICS**

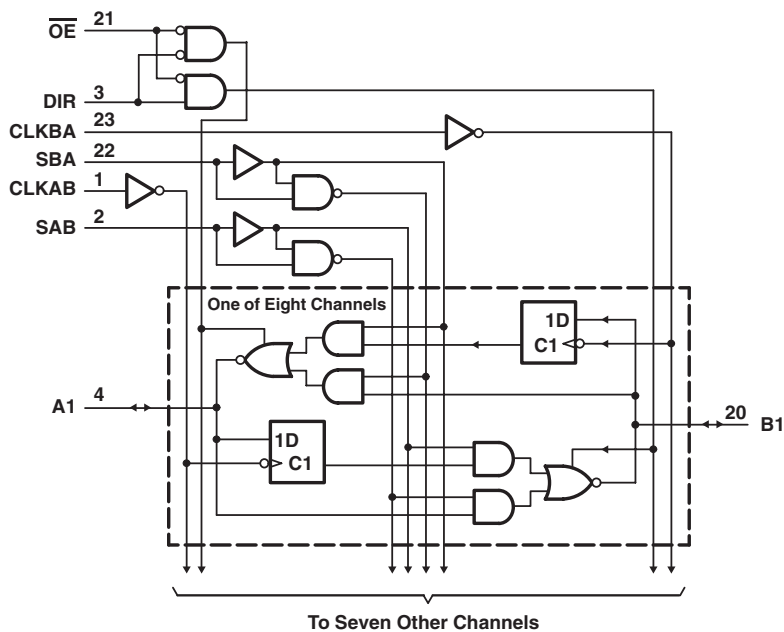
PARAMETER	INPUT	OUTPUT	MAX or MIN	LS
t <sub>w</sub>			MIN	30
t <sub>su</sub>		A, B	MIN	15
t <sub>h</sub>		A, B	MIN	0
t <sub>PLH</sub>	CLOCK	A, B	MAX	35
t <sub>PHL</sub>				45
t <sub>PLH</sub>	A, B	B, A	MAX	26
t <sub>PHL</sub>				27
t <sub>PLH</sub>	SAB, SBA (With Bus Input High)	A, B	MAX	50
t <sub>PHL</sub>				45
t <sub>PLH</sub>	SAB, SBA (With Bus Input Low)	A, B	MAX	60
t <sub>PHL</sub>				30
t <sub>PLH</sub>	$\bar{G}$	A, B	MAX	40
t <sub>PHL</sub>				50
t <sub>PLH</sub>	DIR	A, B	MAX	35
t <sub>PHL</sub>				40

UNIT: ns

## OCTAL BUS TRANSCEIVERS AND REGISTERS

- Bidirectional Bus Trceivers
- Independent Registers for A and B Buses
- Multiplexed Real-Time and Stored Data
- Inverting Data Paths
- 3-State Outputs

Logic Diagram



**FUNCTION TABLE**

INPUTS						DATA I/O†		OPERATION OR FUNCTION
OE	DIR	CLKAB	CLKBA	SAB	SBA	A1–A8	B1–B8	
H	X	H to L	H to L	X	X	Input	Input	Isolation Store A and B data
H	X	↑	↑	X	X	Input	Input	
L	L	X	X	X	L	Output	Input	Real-time B data to A bus Stored $\bar{B}$ data to A bus
L	L	X	H to L	X	H	Output	Input	
L	H	X	X	L	X	Input	Output	Real-time $\bar{A}$ data to B bus Stored $\bar{A}$ data to B bus
L	H	H to L	X	H	X	Input	Output	

† The data output functions can be enabled or disabled by various signals at OE and DIR. Data input functions are always enabled; i.e., data at the bus terminals is stored on every low-to-high transition of the clock inputs.

**ELECTRICAL CHARACTERISTICS AND RECOMMENDED OPERATING CONDITIONS**

PARAMETER	MAX or MIN	LS	ALS	AS	SN74 HC	SN74 HCT	UNIT
I <sub>CC</sub>	MAX	180	88	195	0.08	0.08	mA
I <sub>OH</sub>	MAX	-15	-15	-15	-6	-6	mA
I <sub>OL</sub>	MAX	24	24	48	6	6	mA

**TIMING REQUIREMENTS AND SWITCHING CHARACTERISTICS**

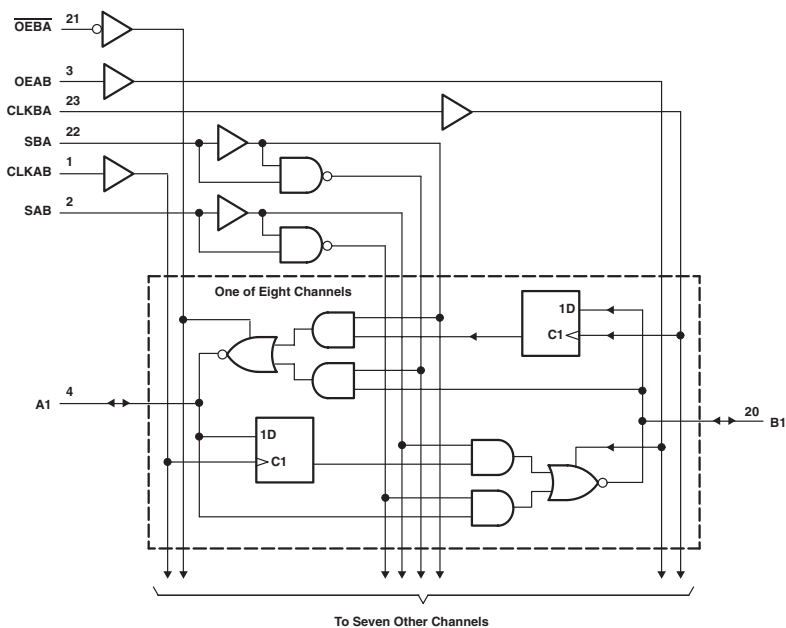
PARAMETER	INPUT	OUTPUT	MAX or MIN	LS	ALS	AS	SN74 HC	SN74 HCT
f <sub>max</sub>			MIN	-	40	90	27	27
t <sub>w</sub>	CLKAB, CLKBA "H"		MIN	15	12.5	5	19	19
	CLKAB, CLKBA "L"		MIN	30	12.5	6	19	19
	DATA		MIN	30	-	-	-	-
t <sub>su</sub>	CLKAB, CLKBA		MIN	15	10	6	25	25
t <sub>h</sub>	CLKAB, CLKBA		MIN	0	0	0	5	5
t <sub>PLH</sub>	CLOCK	A, B	MAX	25	33	8.5	45	45
t <sub>PHL</sub>				40	20	9	45	45
t <sub>PLH</sub>	A, B	B, A	MAX	18	17	8	34	34
t <sub>PHL</sub>				25	10	7	34	34
t <sub>PLH</sub>	SAB, SBA (With Bus Input High)	A, B	MAX	55	25	11	48	48
t <sub>PHL</sub>				40	21	9	48	48
t <sub>PLH</sub>	SAB, SBA (With Bus Input Low)	A, B	MAX	40	39	11	48	48
t <sub>PHL</sub>				40	22	9	48	48
t <sub>PZH</sub>	$\overline{OE}$	A, B	MAX	50	22	9	61	61
t <sub>PZL</sub>				55	22	15	61	61
t <sub>PHZ</sub>	$\overline{OE}$	A, B	MAX	45	10	9	61	61
t <sub>PLZ</sub>				35	15	9	61	61
t <sub>PZH</sub>	DIR	A, B	MAX	40	27	16	61	61
t <sub>PZL</sub>				45	19	18	61	61
t <sub>PHZ</sub>	DIR	A, B	MAX	35	14	10	61	61
t <sub>PLZ</sub>				30	15	10	61	61

UNIT f<sub>max</sub> : MHz other : ns

## OCTAL BUS TRANSCEIVERS AND REGISTERS WITH 3-STATE OUTPUTS

- Bus Transceivers / Registers
- Independent Registers and Enables for A and B Buses
- Multiplexed Real-Time and Stored Data
- Inverting Data Paths
- 3-State Outputs

Logic Diagram (SN74)



FUNCTION TABLE (SN74)

INPUTS						DATA I/O				OPERATION OR FUNCTION
OEAB	OEBA	CLKAB	CLKBA	SAB	SBA	A1-A8	B1-B8			
L	H	H to L	H to L	X	X	Input	Input			Isolation
L	H	↑	↑	X	X	Input	Input			Store A and B data
X	H	↑	H to L	X	X	Input	Unspecified			Store A, hold B
H	H	↑	↑	X	X	Input	Output			Store A in both registers
L	X	H to L	↑	X	X	Unspecified	Input			Hold A, store B
L	L	↑	↑	X	X	Output	Input			Store B in both registers
L	L	X	X	X	L	Output	Input			Real-time $\bar{B}$ data to A bus
L	L	X	H to L	X	H	Output	Input			Stored $\bar{B}$ data to A bus
H	H	X	X	L	X	Input	Output			Real-time $\bar{A}$ data to B bus
H	H	H to L	X	H	X	Input	Output			Stored $\bar{A}$ data to B bus
H	L	H to L	H to L	H	H	Output	Output			Stored $\bar{A}$ data to B bus and stored $\bar{B}$ data to A bus

## ELECTRICAL CHARACTERISTICS AND RECOMMENDED OPERATING CONDITIONS

PARAMETER	MAX or MIN	LS	ALS	ALS A-1	AS	SN74 HC	SN74 HCT	SN74 BCT	ABT	CD74 ACT	UNIT
I <sub>cc</sub>	MAX	165	82	82	195	0.08	0.08	62	30	160	mA
I <sub>oh</sub>	MAX	-15	-15	-15	-15	-6	-6	-15	-32	-24	mA
I <sub>ol</sub>	MAX	24	24	48	48	6	6	64	64	24	mA

## TIMING REQUIREMENTS AND SWITCHING CHARACTERISTICS

PARAMETER	INPUT	OUTPUT	MAX or MIN	LS	ALS	ALS A-1	AS	SN74 HC	SN74 HCT	SN74 BCT	ABT	CD74 ACT
f <sub>max</sub>			MIN	-	40	40	90	27	20	85	125	110
t <sub>w</sub>	CLKBA, CLKAB "H"		MIN	15	12.5	12.5	5	19	25	4.8	4	4.5
	CLKBA, CLKAB "L"		MIN	15	12.5	12.5	6	19	25	7	4	4.5
	DATA		MIN	15	-	-	-	-	-	-	-	-
t <sub>su</sub>	A,B		MIN	15	10	10	6	25	19	6	3	2.5
t <sub>h</sub>	A,B		MIN	0	0	0	0	5	5	1	0	2
t <sub>PLH</sub>	CLOCK	A,B	MAX	24	32	32	8.5	45	45	11.7	5.6	15.5
t <sub>PHL</sub>				35	17	17	9	45	45	11.8	5.6	15.5
t <sub>PLH</sub>	A,B	B,A	MAX	18	18	18	9	34	34	12.6	6.2	12.5
t <sub>PHL</sub>				30	10	10	7	34	34	9.8	5.4	12.5
t <sub>PLH</sub>	SAB,SBA (With Bus Input High)	A,B	MAX	47	38	38	11	48	48	9.8	6.5	15.5
t <sub>PHL</sub>				33	21	21	9	48	48	15.5	5.9	15.5
t <sub>PLH</sub>	SAB,SBA (With Bus Input Low)	A,B	MAX	35	25	25	11	48	48	14.6	6.5	15.5
t <sub>PHL</sub>				30	21	21	9	48	48	12.8	5.9	15.5
t <sub>PZH</sub>	$\overline{OEBA}$	A	MAX	44	20	20	10	61	61	12	5.8	15.5
t <sub>PZL</sub>				60	18	18	16	61	61	13.1	8.5	15.5
t <sub>PHZ</sub>	$\overline{OEBA}$	A	MAX	38	9	9	9	61	61	10.2	5	15.5
t <sub>PLZ</sub>				30	12	12	9	61	61	9.6	4.1	15.5
t <sub>PZH</sub>	OEAB	B	MAX	29	22	22	11	61	61	8.3	6.5	15.5
t <sub>PZL</sub>				40	21	21	16	61	61	9.7	7.4	15.5
t <sub>PHZ</sub>	OEAB	B	MAX	38	12	12	10	61	61	15	5.5	15.5
t <sub>PLZ</sub>				30	14	14	11	61	61	12.3	5.1	15.5

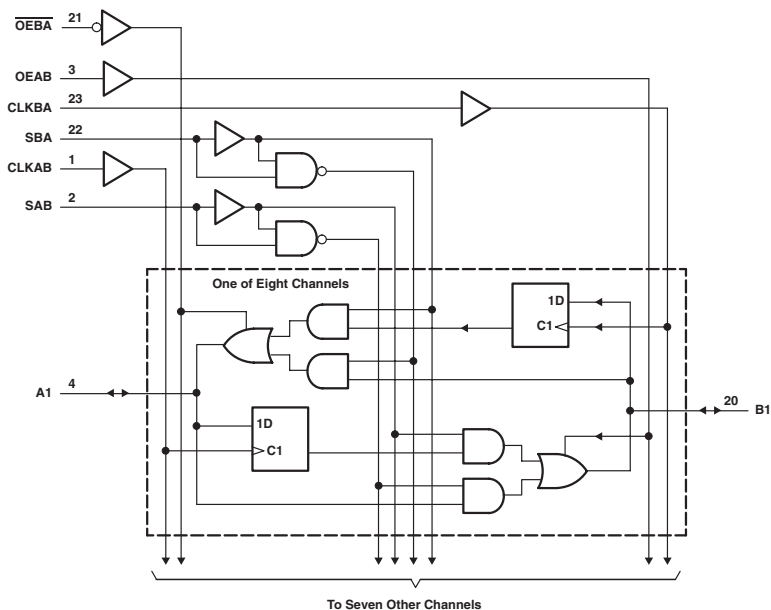
UNIT f<sub>max</sub> : MHz other : ns



## OCTAL BUS TRANSCEIVERS AND REGISTERS

- Bus Transceivers / Registers
- Independent Registers and Enables for A and B Buses
- Multiplexed Real-Time and Stored Data
- True Data Paths
- 3-State Outputs
- 74AC11xxx: Product Available in Reduced-Noise Advanced CMOS (11000 Series)
- 74ACT11xxx: Product Available in Reduced-Noise Advanced CMOS (11000 Series)

Logic Diagram (SN74)



FUNCTION TABLE (SN74)

OEAB		OEB A		INPUTS		DATA I/O		OPERATION OR FUNCTION
OEAB	OEB A	CLKAB	CLKBA	SAB	SBA	A1-A8	B1-B8	
L	H	H to L	H to L	X	X	Input	Input	Isolation
L	H	↑	↑	X	X	Input	Input	Store A and B data
X	H	↑	H to L	X	X	Input	Unspecified	Store A, hold B
H	H	↑	↑	X	X	Input	Output	Store A in both registers
L	X	H to L	↑	X	X	Unspecified	Input	Hold A, store B
L	L	↑	↑	X	X	Output	Input	Store B in both registers
L	L	X	X	X	L	Output	Input	Real-time B data to A bus
L	L	X	H to L	X	H	Output	Input	Stored B data to A bus
H	H	X	X	L	X	Input	Output	Real-time A data to B bus
H	H	H to L	X	H	X	Input	Output	Stored A data to B bus
H	L	H to L	H to L	H	H	Output	Output	Stored A data to B bus and stored B data to A bus

## ELECTRICAL CHARACTERISTICS AND RECOMMENDED OPERATING CONDITIONS

PARAMETER	MAX or MIN	LS	ALS	ALS A-1	AS	SN74 HC	CD74 HC	SN74 HCT	CD74 HCT	SN74 BCT	ABT	UNIT
I <sub>cc</sub>	MAX	180	88	88	211	0.08	0.16	0.08	0.16	69	30	mA
I <sub>oh</sub>	MAX	-15	-15	-15	-15	-6	-6	-6	-6	-15	-32	mA
I <sub>ol</sub>	MAX	24	24	48	48	6	6	6	6	64	64	mA

PARAMETER	MAX or MIN	ABT Ver.A	LVTH 3V	AC 11	CD74 AC	ACT 11	CD74 ACT	LVC 3V	UNIT
I <sub>cc</sub>	MAX	30	5	0.08	0.16	0.08	0.16	0.01	mA
I <sub>oh</sub>	MAX	-32	-32	-24	-24	-24	-24	-24	mA
I <sub>ol</sub>	MAX	64	64	24	24	24	24	24	mA

## TIMING REQUIREMENTS AND SWITCHING CHARACTERISTICS

PARAMETER	INPUT	OUTPUT	MAX or MIN	LS	ALS	ALS A-1	AS	SN74 HC	CD74 HC	SN74 HCT	CD74 HCT	SN74 BCT
f <sub>max</sub>			MIN	-	40	40	90	27	20	20	17	77
t <sub>w</sub>	CLKBA, CLKAB "H"		MIN	15	12.5	12.5	5	19	24	25	38	6.5
	CLKBA, CLKAB "L"		MIN	15	12.5	12.5	6	19	24	25	38	6.5
	DATA		MIN	15	-	-	-	-	-	-	-	-
t <sub>su</sub>	A,B High		MIN	15	10	10	6	25	18	19	18	5
	A,B Low		MIN	15	10	10	6	25	18	19	18	5
t <sub>h</sub>	A,B		MIN	0	0	0	5	11	5	5	1	
t <sub>PLH</sub>	CLOCK	A,B	MAX	25	30	30	8.5	45	66	45	66	10.5
				36	17	17	9	45	66	45	66	9.9
t <sub>PHL</sub>	A,B	B,A	MAX	18	18	18	9	34	41	34	56	8.9
				20	12	12	7	34	41	34	56	9.8
t <sub>PLH</sub>	SAB,SBA (With Bus Input High)	A,B	MAX	35	35	35	11	48	51	48	69	13.1
				32	20	20	9	48	51	48	69	8.5
t <sub>PHL</sub>	SAB,SBA (With Bus Input Low)	A,B	MAX	50	25	25	11	48	51	48	69	11.3
				23	20	20	9	48	51	48	69	12.5
t <sub>PZH</sub>	OEBA	A	MAX	45	17	17	10	61	53	61	68	10.6
				54	18	18	16	61	53	61	68	12
t <sub>PHZ</sub>	OEBA	A	MAX	38	10	10	9	61	53	61	53	10
				30	16	16	9	61	53	61	53	9.5
t <sub>PZH</sub>	OEAB	B	MAX	30	22	22	11	61	53	61	68	8.1
				38	18	18	16	61	53	61	68	9.3
t <sub>PHZ</sub>	OEAB	B	MAX	38	10	10	10	61	53	61	53	11.6
				30	16	16	11	61	53	61	53	11.3

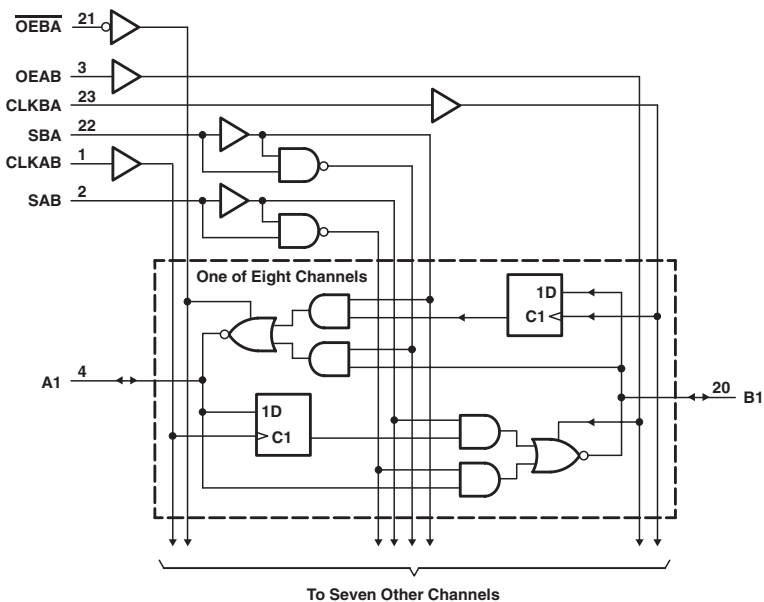
PARAMETER	INPUT	OUTPUT	MAX or MIN	ABT	ABT Ver.A	LVTH 3V	AC 11	CD74 AC	ACT 11	CD74 ACT	LVC 3V
f <sub>max</sub>			MIN	125	125	150	105	125	105	110	100
t <sub>w</sub>	CLKBA, CLKAB "H"		MIN	4	4	3.3	4.8	4	4.8	4.5	3.3
	CLKBA, CLKAB "L"		MIN	4	4	3.3	4.8	4	4.8	4.5	3.3
	DATA		MIN	-	-	-	-	-	-	-	-
t <sub>su</sub>	A,B High		MIN	3.5	3	1.2	4.5	2.5	4	2.5	1.9
	A,B Low		MIN	3.5	3	1.6	4.5	2.5	4	2.5	1.9
t <sub>h</sub>	A,B		MIN	0	0	0.8	1	2	2.5	2	1.7
t <sub>PLH</sub>	CLOCK	A,B	MAX	7.8	5.6	4.7	10.7	13.5	13.1	15.5	8
				8.4	5.6	4.7	12	13.5	14.4	15.5	8
t <sub>PHL</sub>	A,B	B,A	MAX	6.7	4.8	3.5	8.6	11	11.1	12.5	7.4
				6.7	5.4	3.5	9.6	11	11.6	12.5	7.4
t <sub>PLH</sub>	SAB,SBA (With Bus Input High)	A,B	MAX	6.9	6.5	4.9	9.1	12	11	14.5	8.7
				7.7	5.9	4.9	10.7	12	13.3	14.5	8.7
t <sub>PHL</sub>	SAB,SBA (With Bus Input Low)	A,B	MAX	6.9	6.5	4.9	9.9	12	12.2	14.5	8.7
				7.7	5.9	4.9	10.9	12	12.6	14.5	8.7
t <sub>PZH</sub>	OEBA	A	MAX	5.8	5.8	5.2	10.9	13.5	12.6	15.5	7.4
				8.5	8.5	5.2	12.2	13.5	13.8	15.5	7.4
t <sub>PHZ</sub>	OEBA	A	MAX	8.2	5	5.5	7.6	13.5	9.9	15.5	7.5
				6.8	4.1	5.5	7.1	13.5	9.3	15.5	7.5
t <sub>PZH</sub>	OEAB	B	MAX	6.5	6.5	4.7	11.3	13.5	15.2	15.5	7.1
				7.4	7.4	4.7	12.3	13.5	16.1	15.5	7.1
t <sub>PHZ</sub>	OEAB	B	MAX	6.9	5.5	5.6	7.6	13.5	10.3	15.5	7.4
				6.2	5.1	5.6	7.2	13.5	9.3	15.5	7.4

UNIT f<sub>max</sub> : MHz other : ns

## OCTAL BUS TRANSCEIVERS AND REGISTERS

- Bus Trceivers / Registers
- Independent Registers and Enables for A and B Buses
- Multiplexed Real-Time and Stored Data
- Inverting Data Paths
- Outputs
  - A Bus: Open-Collector
  - B Bus: 3-State

Logic Diagram



### FUNCTION TABLE

INPUTS						DATA I/O†		OPERATION OR FUNCTION
OEAB	OEBA	CLKAB	CLKBA	SAB	SBA	A1–A8	B1–B8	
L	H	H or L	H or L	X	X	Inpu	Input	Isolation Store A and B data
L	H	↑	↑	X	X			
X	H	↑	H or L	X	X	Input	Unspecified‡	Store A, hold B Store A in both registers
H	H	↑	↑	X†	X			
L	X	H or L	↑	X	X	Unspecified‡	Input	Hold A, store B Store B in both registers
L	L	↑	↑	X	X†			
L	L	X	X	X	L	Output	Input	Real-time $\overline{B}$ data to A bus Stored $\overline{B}$ data to A bus
L	L	X	H or L	X	H			
H	H	X	X	L	X	Input	Output	Real-time $\overline{A}$ data to B bus Stored $\overline{A}$ data to B bus
H	H	H or L	X	H	X			
H	L	H or L	H or L	H	H	Output	Output	Stored $\overline{A}$ data to B bus and stored $\overline{B}$ data to A bus

**NOTES:**

† The data output functions can be enabled or disabled by a variety of level combinations at GAB or  $\overline{GBA}$ . Data input functions always are enabled, i.e., data at the bus terminals is stored on every low-to-high transition on the clock inputs.

‡ Select control = L: clocks can occur simultaneously.

§ Select control = H: clock must be staggered to load both registers.

### ELECTRICAL CHARACTERISTICS AND RECOMMENDED OPERATING CONDITIONS

PARAMETER	MAX or MIN	LS	ALS	UNIT
I <sub>CC</sub>	MAX	165	88	mA
I <sub>OH</sub>	MAX	-15	-15	mA
I <sub>OL</sub>	MAX	24	24	mA

### TIMING REQUIREMENTS AND SWITCHING CHARACTERISTICS

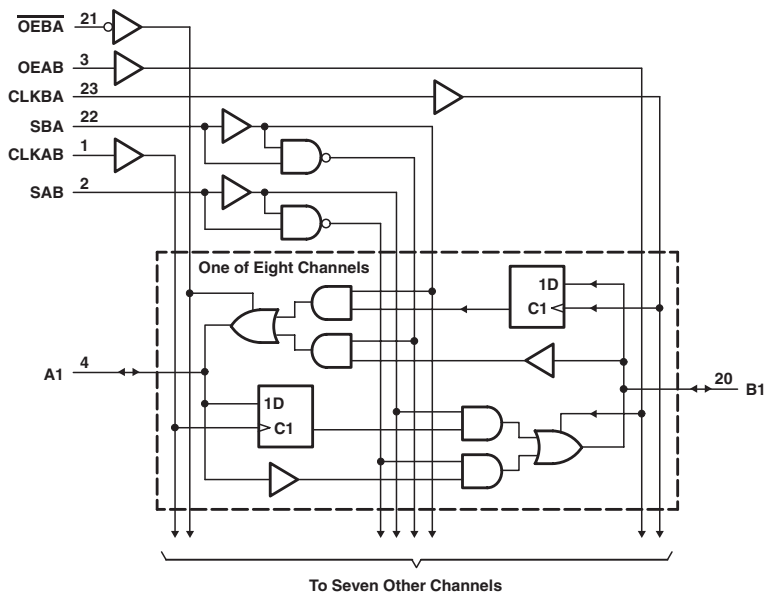
PARAMETER	INPUT	OUTPUT	MAX or MIN	LS	ALS
t <sub>w</sub>	CLK "H"		MIN	15	14.5
	CLK "L"		MIN	30	14.5
	DATA		MIN	30	-
t <sub>su</sub>	A, B		MIN	15	10
	A, B		MIN	0	0
t <sub>PLH</sub>	CLKBA	A	MAX	38	64
t <sub>PHL</sub>				39	22
t <sub>PLH</sub>	CLKAB	B	MAX	23	30
t <sub>PHL</sub>				36	17
t <sub>PLH</sub>				18	18
t <sub>PHL</sub>	A	B	MAX	30	15
t <sub>PLH</sub>	B	A	MAX	32	56
t <sub>PHL</sub>				24	15
t <sub>PLH</sub>	SBA (B "H")	A	MAX	57	62
t <sub>PHL</sub>				39	25
t <sub>PLH</sub>	SBA (B "L")	A	MAX	51	62
t <sub>PHL</sub>				35	25
t <sub>PLH</sub>	SAB (A "H")	B	MAX	48	35
t <sub>PHL</sub>				33	22
t <sub>PLH</sub>	SAB (A "L")	B	MAX	36	25
t <sub>PHL</sub>				30	22
t <sub>PLH</sub>	$\overline{OEBA}$	A	MAX	35	30
t <sub>PHL</sub>				55	24
t <sub>PZH</sub>	OEAB	B	MAX	29	22
t <sub>PZL</sub>				38	22
t <sub>PHZ</sub>	OEAB	B	MAX	39	14
t <sub>PLZ</sub>				29	16

UNIT:ns

## OCTAL BUS TRANSCEIVERS AND REGISTERS

- Bus Trceivers / Registers
- Independent Registers and Enables for A and B Buses
- Multiplexed Real-Time and Stored Data
- True Data Paths
- Outputs
  - A Bus: Open-Collector
  - B Bus: 3-State

Logic Diagram



FUNCTION TABLE

INPUTS						DATA I/O		OPERATION OR FUNCTION
OEAB	OEBA	CLKAB	CLKBA	SAB	SBA	A1-A8	B1-B8	
L	H	H to L	H to L	X	X	Input	Input	Isolation Store A and B data
L	H	↑	↑	X	X	Input	Input	
X	H	↑	H to L	X	X	Input	Unspecified	Store A, hold B Store A in both registers
H	H	↑	↑	X	X	Input	Output	
L	X	H to L	↑	X	X	Unspecified	Input	Hold A, store B Store B in both registers
L	L	↑	↑	X	X		Input	
L	L	X	X	X	L	Output	Input	Real-time $\overline{B}$ data to A bus Stored $\overline{B}$ data to A bus
L	L	X	H to L	X	H	Output	Input	
H	H	X	X	L	X	Input	Output	Real-time $\overline{A}$ data to B bus Stored $\overline{A}$ data to B bus
H	H	H to L	X	H	X	Input	Output	
H	L	H to L	H to L	H	H	Output	Output	Stored $\overline{A}$ data to B bus and stored $\overline{B}$ data to A bus

## ELECTRICAL CHARACTERISTICS AND RECOMMENDED OPERATING CONDITIONS

PARAMETER	MAX or MIN	LS	ALS	UNIT
I <sub>CC</sub>	MAX	180	88	mA
I <sub>OH</sub>	MAX	-15	-15	mA
I <sub>OL</sub>	MAX	24	24	mA

## TIMING REQUIREMENTS AND SWITCHING CHARACTERISTICS

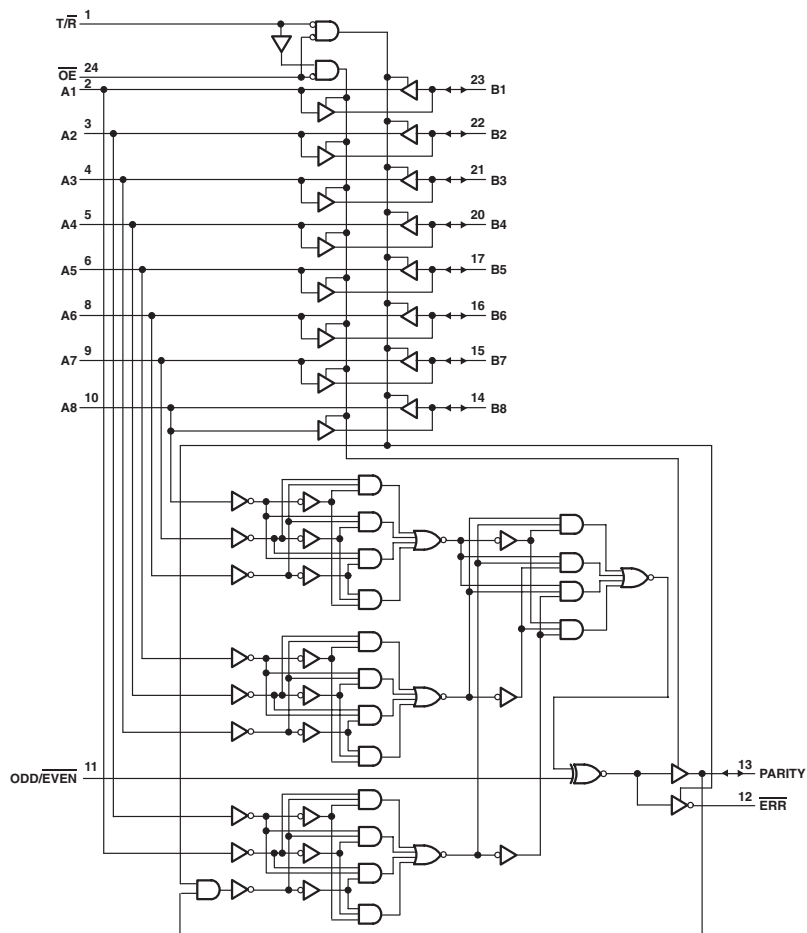
PARAMETER	INPUT	OUTPUT	MAX or MIN	LS	ALS
t <sub>w</sub>	CLKBA, CLKAB "H"		MIN	15	14.5
	CLKBA, CLKAB "L"		MIN	30	14.5
	DATA		MIN	30	-
t <sub>su</sub>	A, B		MIN	15	10
t <sub>h</sub>	A, B		MIN	0	0
t <sub>PLH</sub>	CLKBA	A	MAX	33	64
t <sub>PHL</sub>				36	22
t <sub>PLH</sub>	CLKAB	B	MAX	21	30
t <sub>PHL</sub>				33	17
t <sub>PLH</sub>	A	B	MAX	18	18
t <sub>PHL</sub>				30	15
t <sub>PLH</sub>	B	A	MAX	27	56
t <sub>PHL</sub>				21	21
t <sub>PLH</sub>	SBA (B "H")	A	MAX	48	62
t <sub>PHL</sub>				32	25
t <sub>PLH</sub>	SBA (B "L")	A	MAX	54	62
t <sub>PHL</sub>				29	25
t <sub>PLH</sub>	SAB (A "H")	B	MAX	35	25
t <sub>PHL</sub>				27	22
t <sub>PLH</sub>	SAB (A "L")	B	MAX	45	35
t <sub>PHL</sub>				21	22
t <sub>PLH</sub>	$\overline{OEBA}$	A	MAX	35	30
t <sub>PHL</sub>				53	24
t <sub>PZH</sub>	OEAB	B	MAX	29	22
t <sub>PZL</sub>				33	22
t <sub>PHZ</sub>	OEAB	B	MAX	39	14
t <sub>PLZ</sub>				29	16

UNIT: ns

## OCTAL BUS TRANSCEIVERS WITH PARITY GENERATORS/CHECKERS AND 3-STATE OUTPUTS

- Combines SN74F245 and SN74F280B Functions in One Package
- 3-State Outputs
- 74ACT11xxx: Product Available in Reduced-Noise Advanced CMOS (11000 Series)

Logic Diagram



## ELECTRICAL CHARACTERISTICS AND RECOMMENDED OPERATING CONDITIONS

PARAMETER	MAX or MIN	F	SN74 BCT	ABT	ACT 11	UNIT
ICCH	MAX	125	2	0.25	0.08	mA
ICCL	MAX	150	90	40	0.08	mA
ICcz	MAX	145	1	0.25	0.08	mA
I <sub>OH</sub> A1-A9	MAX	-3	-3	-32	-24	mA
I <sub>OH</sub> B1-B9, PARITY, ERR	MAX	-12	-15	-32	-24	mA
I <sub>OL</sub> A1-A8	MAX	24	24	64	24	mA
I <sub>OL</sub> B1-B8, PARITY, ERR	MAX	64	64	64	24	mA

## SWITCHING CHARACTERISTICS

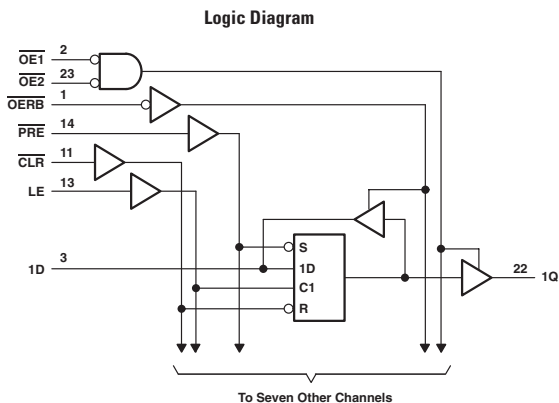
PARAMETER	INPUT	OUTPUT	MAX or MIN	F	SN74 BCT	ABT	ACT 11
t <sub>PLH</sub>	A, B	B, A	MAX	8	6.6	4.6	9.4
t <sub>PHL</sub>			MAX	8	9	4.3	9.4
t <sub>PLH</sub>	A	PARITY	MAX	16	15.4	8.1	14.4
t <sub>PHL</sub>			MAX	16	15.9	7.7	15
t <sub>PLH</sub>	ODD/ $\overline{\text{EVEN}}$	PARITY, $\overline{\text{ERR}}$	MAX	12	7.1	4.9	10.7
t <sub>PHL</sub>			MAX	12.5	9	4.9	11.3
t <sub>PLH</sub>	B	$\overline{\text{ERR}}$	MAX	22.5	15.3	7.9	23.6
t <sub>PHL</sub>			MAX	22.5	15.5	7.8	24.6
t <sub>PLH</sub>	PARITY	$\overline{\text{ERR}}$	MAX	16.5	13.2	7.7	14.6
t <sub>PHL</sub>			MAX	17	13.9	7.5	14.7
t <sub>PZH</sub>	$\overline{\text{OE}}$	A, B, PARITY	MAX	9	9.1	6.5	12.1
t <sub>PZL</sub>			MAX	11	16.3	6.5	13.8
t <sub>PZH</sub>	$\overline{\text{OE}}$	$\overline{\text{ERR}}$	MAX	9	9.1	6.6	12.1
t <sub>PZL</sub>			MAX	11	16.3	9.2	13.8
t <sub>PHZ</sub>	$\overline{\text{OE}}$	A, B, PARITY, ERR	MAX	8	9.1	6.2	12.1
t <sub>PLZ</sub>			MAX	6.5	8	7.8	11.6

UNIT: ns



## 8-BIT D-TYPE TRANSPARENT READ-BACK LATCHES WITH 3-STATE OUTPUTS

- 3-State I/O-Type Read-Back Inputs
- True Outputs
- Bus-Structured Pinout



## ELECTRICAL CHARACTERISTICS AND RECOMMENDED OPERATING CONDITIONS

PARAMETER		MAX or MIN	ALS	UNIT
$I_{CC}$		MAX	73	mA
$I_{OH}$	Q	MAX	-2.6	mA
	D	MAX	-0.4	mA
$I_{OL}$	Q	MAX	24	mA
	D	MAX	8	mA

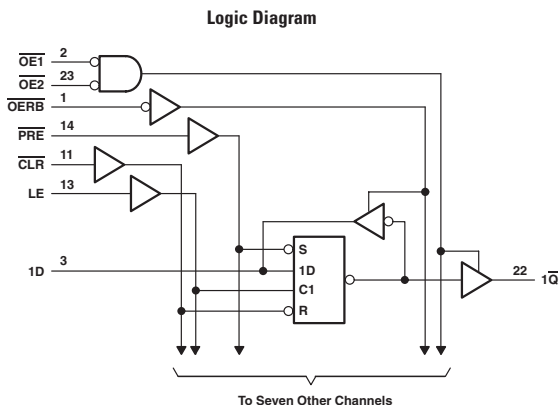
## TIMING REQUIREMENTS AND SWITCHING CHARACTERISTICS

PARAMETER	INPUT	OUTPUT	MAX or MIN	ALS
$t_{LW}$	LE "H"		MIN	10
	$\overline{CLR}$ "L"		MIN	10
	$\overline{PRE}$ "L"		MIN	10
$t_{SU}$	DATA (LE)		MIN	10
	DATA ( $\overline{OERB}$ )		MIN	10
$t_H$	DATA (LE)		MIN	5
$t_{PLH}$	D	Q	MAX	14
$t_{PHL}$				18
$t_{PLH}$	LE	Q	MAX	21
$t_{PHL}$				27
$t_{PHL}$	$\overline{CLR}$	Q	MAX	29
$t_{PLH}$				32
$t_{PHL}$	PRE	Q	MAX	22
$t_{PLH}$				28
$t_{en}$	$\overline{OERB}$	D	MAX	21
$t_{dis}$				14
$t_{en}$	$\overline{OE1}$ , $\overline{OE2}$	Q	MAX	21
$t_{dis}$				14

UNIT: ns

## 8-BIT D-TYPE TRANSPARENT READ-BACK LATCHES WITH 3-STATE OUTPUTS

- 3-State I/O-Type Read-Back Inputs
- Inverted Outputs
- Bus-Structured Pinout



## ELECTRICAL CHARACTERISTICS AND RECOMMENDED OPERATING CONDITIONS

PARAMETER		MAX or MIN	ALS	UNIT
I <sub>CC</sub>		MAX	79	mA
I <sub>OH</sub>	Q	MAX	-2.6	mA
	D	MAX	-0.4	mA
I <sub>OL</sub>	Q	MAX	24	mA
	D	MAX	8	mA

## TIMING REQUIREMENTS AND SWITCHING CHARACTERISTICS

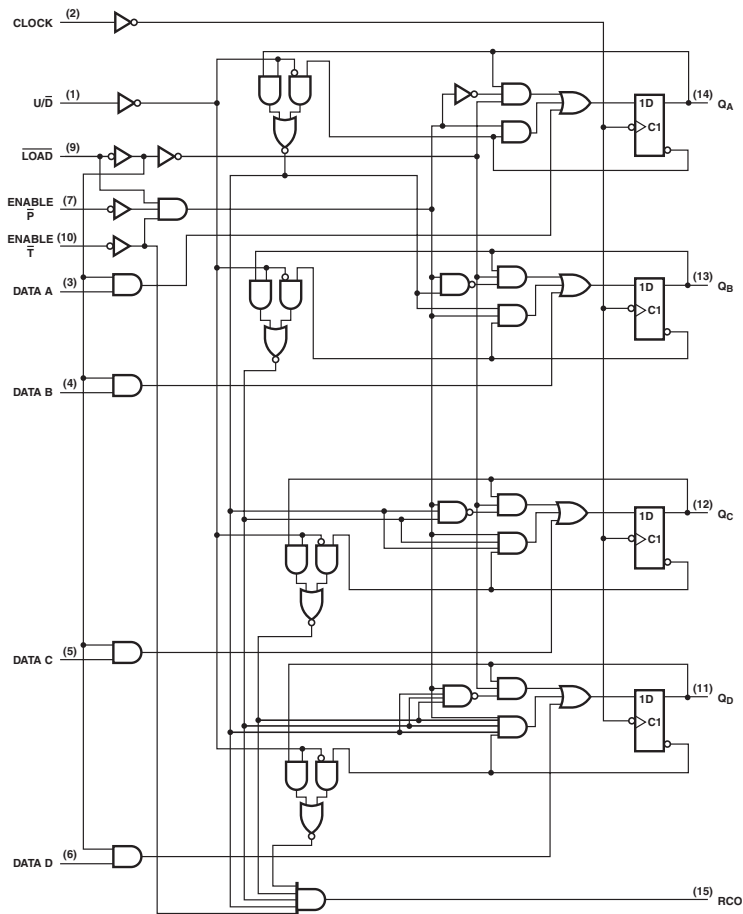
PARAMETER		INPUT	OUTPUT	MAX or MIN	ALS
t <sub>lv</sub>	LE "H"			MIN	10
	CLR "L"			MIN	10
	PRE "L"			MIN	10
	DATA (LE)			MIN	10
t <sub>bu</sub>	DATA (OERB)			MIN	10
	DATA (LE)			MIN	5
t <sub>PH</sub>		D	Q̄	MAX	20
t <sub>PHL</sub>					15
t <sub>PLH</sub>		LE	Q̄	MAX	28
t <sub>PLH</sub>					22
t <sub>PHL</sub>	CLR	D	Q̄	MAX	24
			D		26
t <sub>PLH</sub>	PRE	D	Q̄	MAX	25
			D		28
t <sub>en</sub>	OERB	D	MAX	21	14
t <sub>dis</sub>					
t <sub>en</sub>	OE1, OE2		Q̄	MAX	21
t <sub>dis</sub>					14

UNIT: ns

## SYNCHRONOUS 4-BIT UP/DOWN COUNTERS

- Fully Synchronous Operation for Counting and Programming
- Internal Look-Ahead for Fast Counting
- Carry Output for n-Bit Cascading

Logic Diagram



## ELECTRICAL CHARACTERISTICS AND RECOMMENDED OPERATING CONDITIONS

PARAMETER	MAX or MIN	LS	UNIT
I <sub>CC</sub>	MAX	34	mA
I <sub>OH</sub>	MAX	-0.4	mA
I <sub>OL</sub>	MAX	8	mA

## TIMING REQUIREMENTS AND SWITCHING CHARACTERISTICS

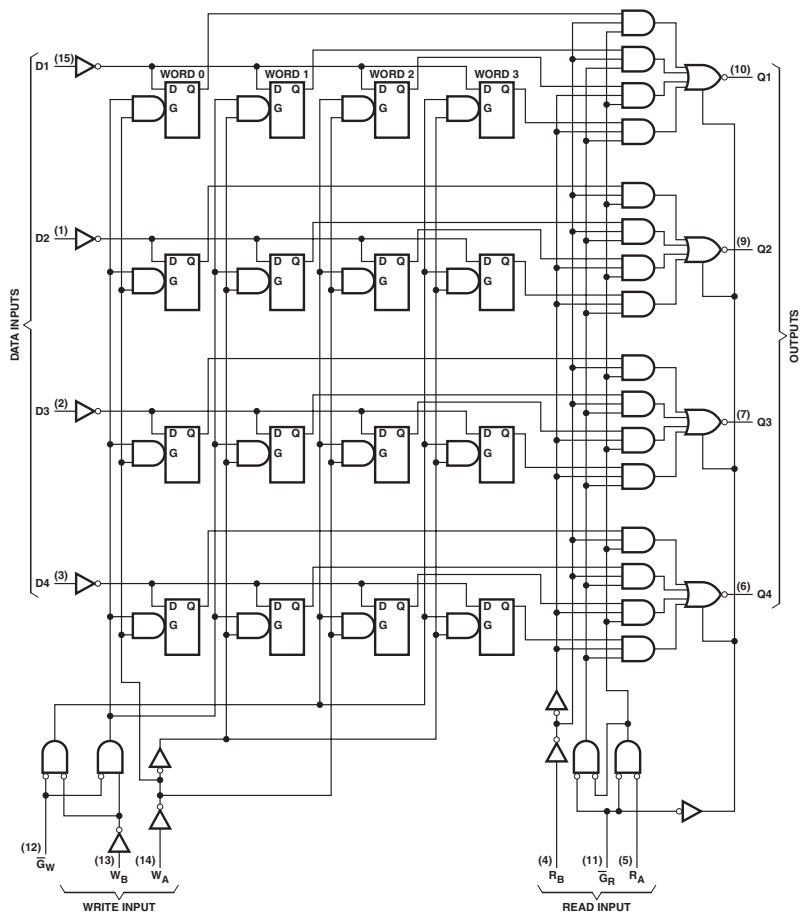
PARAMETER	INPUT	OUTPUT	MAX or MIN	LS
f <sub>max</sub>			MIN	25
t <sub>w</sub>			MIN	20
t <sub>su</sub>	A, B, C, D		MIN	25
	$\overline{\text{ENP}}, \overline{\text{ENT}}$		MIN	40
	LOAD		MIN	30
	U/ $\overline{\text{D}}$		MIN	45
t <sub>h</sub>			MIN	0
t <sub>PLH</sub>	CLOCK	$\overline{\text{RCO}}$	MAX	40
t <sub>PHL</sub>				60
t <sub>PLH</sub>	CLOCK	Q	MAX	27
t <sub>PHL</sub>				27
t <sub>PLH</sub>	$\overline{\text{ENT}}$	$\overline{\text{RCO}}$	MAX	17
t <sub>PHL</sub>				45
t <sub>PLH</sub>	U/ $\overline{\text{D}}$	$\overline{\text{RCO}}$	MAX	35
t <sub>PHL</sub>				40

UNIT f<sub>max</sub> : MHz other : ns

## 4-BY-4 REGISTER FILES WITH 3-STATE OUTPUTS

- Separate Read / Write Addressing Permits Simultaneous Reading and Writing
- Organized as 4 Words of 4 Bits
- Expandable to 512 Words of n-Bits
- 3-State Outputs

Logic Diagram (SN74LS)



FUNCTION TABLE (SN74)

WRITE INPUTS			WORD			
W <sub>B</sub>	W <sub>A</sub>	W <sub>V</sub>	0	1	2	3
L	L	L	Q = D	Q <sub>0</sub>	Q <sub>0</sub>	Q <sub>0</sub>
L	H	L	Q <sub>0</sub>	Q = D	Q <sub>0</sub>	Q <sub>0</sub>
H	L	L	Q <sub>0</sub>	Q <sub>0</sub>	Q = D	Q <sub>0</sub>
H	H	L	Q <sub>0</sub>	Q <sub>0</sub>	Q <sub>0</sub>	Q = D
X	X	H	Q <sub>0</sub>	Q <sub>0</sub>	Q <sub>0</sub>	Q <sub>0</sub>

READ INPUTS			OUTPUTS			
R <sub>B</sub>	R <sub>A</sub>	R <sub>V</sub>	Q1	Q2	Q3	Q4
L	L	L	W0B1	W0B2	W0B3	W0B4
L	H	L	W1B1	W1B2	W1B3	W1B4
H	L	L	W2B1	W2B2	W2B3	W2B4
H	H	L	W3B1	W3B2	W3B3	W3B4
X	X	H	Z	Z	Z	Z

## ELECTRICAL CHARACTERISTICS AND RECOMMENDED OPERATING CONDITIONS

PARAMETER	MAX or MIN	LS	CD74 HC	CD74 HCT	UNIT
I <sub>CC</sub>	MAX	50	0.16	0.16	mA
I <sub>OH</sub>	MAX	-2.6	-6	-6	mA
I <sub>OL</sub>	MAX	8	6	6	mA

## TIMING REQUIREMENTS AND SWITCHING CHARACTERISTICS

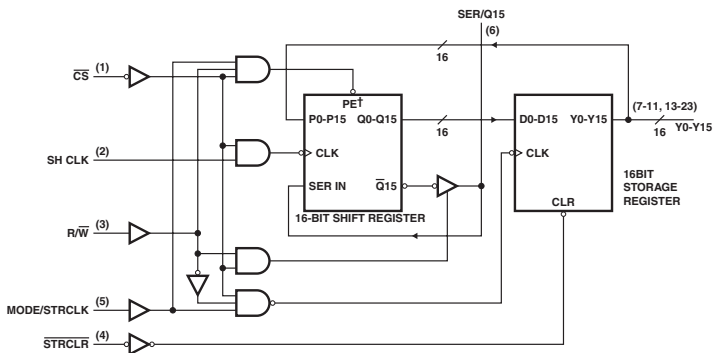
PARAMETER	INPUT	OUTPUT	MAX or MIN	LS	CD74 HC	CD74 HCT
t <sub>w</sub>	Width of write-enable or read-enable pulse		MIN	25	24	30
t <sub>su</sub>	Data input with respect to write enable		MIN	10	18	18
	Write select with respect to write enable			15	18	27
t <sub>h</sub>	Data input with respect to write enable		MIN	15	5	5
	Write select with respect to write enable			5	5	5
t <sub>latch</sub>			MIN	25	30	38
t <sub>PLH</sub>	Read Select	Q	MAX	40	59	53
t <sub>PHL</sub>				45	59	53
t <sub>PLH</sub>	Write Enable	Q	MAX	45	75	75
t <sub>PHL</sub>				50	75	75
t <sub>PLH</sub>	Data	Q	MAX	45	75	75
t <sub>PHL</sub>				40	75	75
t <sub>PZH</sub>	Read Enable	Q	MAX	35	45	57
t <sub>PZL</sub>				40	45	57
t <sub>PHZ</sub>	Read Disable	Q	MAX	50	45	53
t <sub>PLZ</sub>				35	45	53

UNIT : ns

## 16-BIT SHIFT REGISTERS

- 16-Bit Serial-In, Serial-Out Shift Register with 16-Bit Parallel-Out Storage Register
- Performs Serial-to-Parallel Conversion

Logic Diagram



† When PE is active, data synchronously parallel loaded into the shift registers form the 16 P inputs and no shifting takes place.

**FUNCTION TABLE**

INPUTS					SER/ Q15	SHIFT REGISTER FUNCTIONS				STORAGE REGISTER FUNCTIONS	
CS	R/W	SH CLK	STRCLR	MODE/ STRCLK		SHIFT	READ FROM SERIAL INPUT	WRITE INTO SERIAL INPUT	PARALLEL LOAD	CLEAR	LOAD
H	X	X	X	X	Z	NO	NO	NO	NO		NO
X	X	X	L	X						YES	
L	L	↓	X	X	Z	YES	NO	YES	NO		
L	H	X	X	X	Q15		YES	NO			NO
L	H	↓	X	L	Q14n	YES	YES	NO	NO		NO
L	H	↓	L	X	L	NO	YES		YES	YES;	NO
L	H	↓	H	X	Y15n	NO	YES		YES	NO	NO
L	L	X	H	↑	Z		NO			NO	YES

**ELECTRICAL CHARACTERISTICS AND RECOMMENDED OPERATING CONDITIONS**

PARAMETER		MAX or MIN	LS	UNIT
I <sub>CC</sub>		MAX	80	mA
I <sub>OH</sub>	SER/Q15	MAX	-2.6	mA
	Y0-Y15	MAX	-0.4	mA
I <sub>OL</sub>	SER/Q15	MAX	24	mA
	Y0-Y15	MAX	8	mA

**TIMING REQUIREMENTS AND SWITCHING CHARACTERISTICS**

PARAMETER		INPUT	OUTPUT	MAX or MIN	LS
f <sub>max</sub>				MIN	20
t <sub>v</sub>	CLK			MIN	20
	CLR			MIN	20
t <sub>su</sub>	SER/Q15			MIN	20
	Y0-Y15			MIN	20
	Mode			MIN	35
	R/W/CS			MIN	35
t <sub>h</sub>	SER/Q15			MIN	0
	Y0-Y15			MIN	0
	Mode			MIN	0
t <sub>PLH</sub>		STRCLR	Y0-Y15	MAX	40
t <sub>PLH</sub>		MODE/ STRCLK	Y0-Y15	MAX	45
t <sub>PHL</sub>				MAX	45
t <sub>PLH</sub>		SH CLK	SER/Q15	MAX	33
t <sub>PHL</sub>				MAX	40

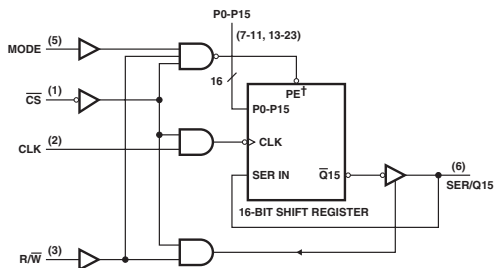
 UNIT f<sub>max</sub> : MHz other : ns



## 16-BIT SHIFT REGISTERS

- 16-Bit Parallel-In, Serial-Out Shift Register
- Performs Parallel-to-Serial Conversion

## Logic Diagram



† When PE is active, data synchronously parallel loaded into the shift registers from the 16 P inputs and no shifting takes place.

**FUNCTION TABLE**

CS	INPUTS			SER/ Q15	OPERATION
	R/W	MODE	CLK		
H	X	X	X	Z	Do nothing
L	L	X	↓	Z	Shift and write (serial load)
L	H	L	↓	Q14n	Shift and read
L	H	H	↓	P15	parallel load

**ELECTRICAL CHARACTERISTICS AND RECOMMENDED OPERATING CONDITIONS**

PARAMETER		MAX or MIN	LS	UNIT
I <sub>CC</sub>		MAX	40	mA
I <sub>OH</sub>	SER/Q15	MAX	-2.6	mA
	P0-P15	MAX	-0.4	mA
I <sub>OL</sub>	SER/Q15	MAX	24	mA
	P0-P15	MAX	8	mA

**TIMING REQUIREMENTS AND SWITCHING CHARACTERISTICS**

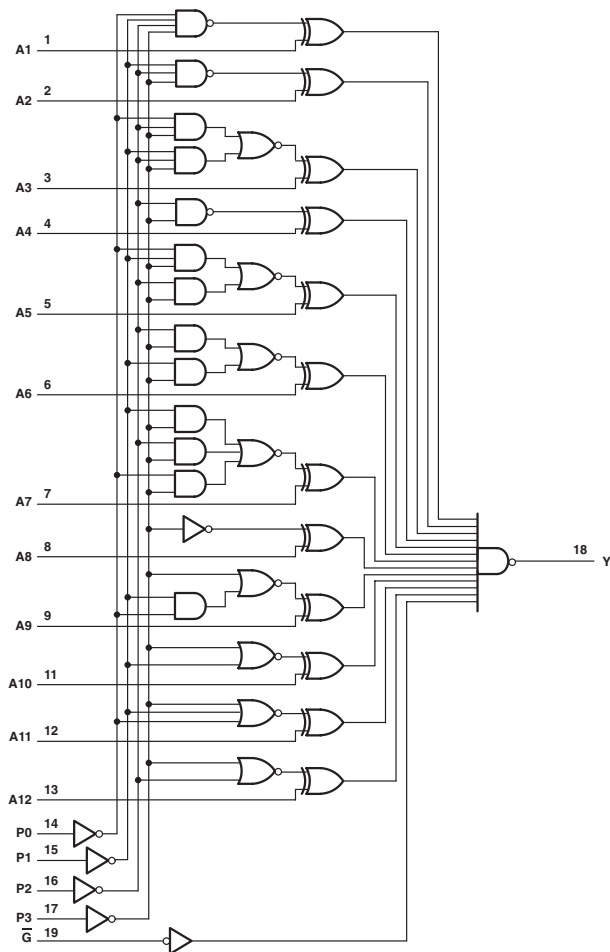
PARAMETER		INPUT	OUTPUT	MAX or MIN	LS
t <sub>max</sub>				MIN	20
t <sub>w</sub>	CLK			MIN	20
	CLR				20
t <sub>su</sub>	SER/Q15			MIN	20
	P0-P15				20
	Mode				35
	R/W, CS				35
t <sub>h</sub>	SER/Q15			MIN	0
	P0-P15				0
	Mode				0
t <sub>PLH</sub>		CLK	SER/Q15	MAX	33
t <sub>FHL</sub>					40
t <sub>PZH</sub>		CS, R/W	SER/Q15	MAX	45
t <sub>PZL</sub>					45
t <sub>PHZ</sub>		CS, R/W	SER/Q15	MAX	40
t <sub>PLZ</sub>					40

 UNIT f<sub>max</sub> : MHz other : ns

## 12-BIT ADDRESS COMPARATOR

- 12-Bit Address Comparator with Enable

Logic Diagram

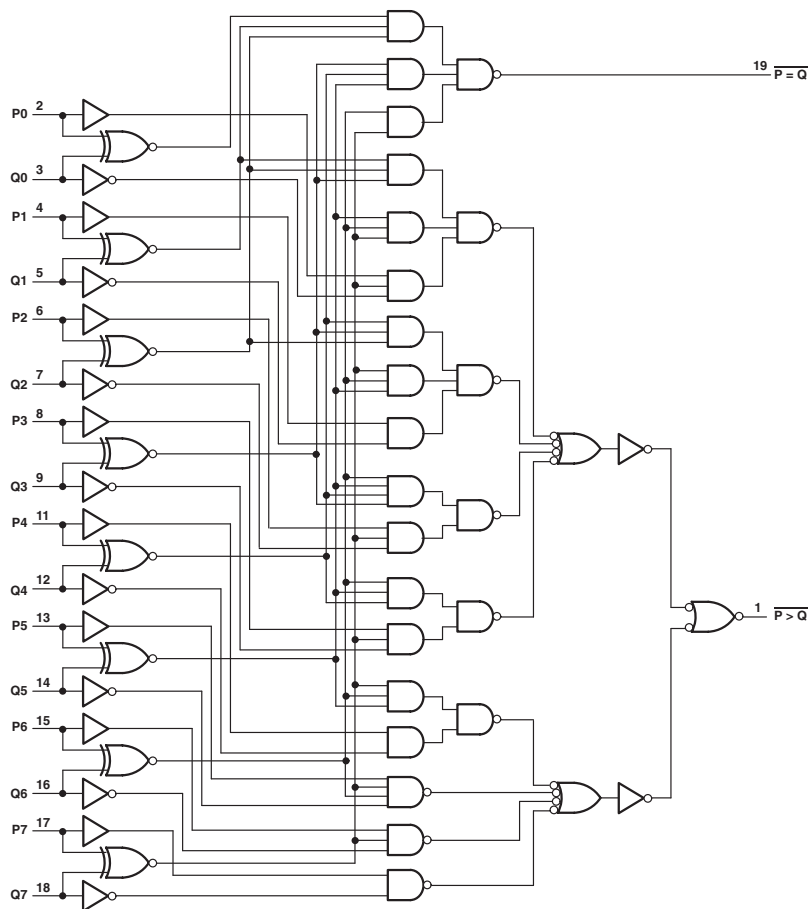




## 8-BIT MAGNITUDE COMPARATORS

- Totem-Pole Outputs
- Hysteresis at P and Q Inputs
- 20k $\Omega$  Pullup Resistors on the Q Inputs

Logic Diagram



**FUNCTION TABLE**

DATA INPUT P, Q	OUTPUTS	
	$\overline{P=Q}$	$\overline{P>Q}$
P=Q	L	H
P>Q	H	L
P<Q	H	H

**ELECTRICAL CHARACTERISTICS AND RECOMMENDED OPERATING CONDITIONS**

PARAMETER	MAX or MIN	LS	SN74 HC	UNIT
I <sub>CC</sub>	MAX	70	0.11	mA
I <sub>OH</sub>	MAX	-0.4	-4	mA
I <sub>OL</sub>	MAX	24	4	mA

**SWITCHING CHARACTERISTICS**

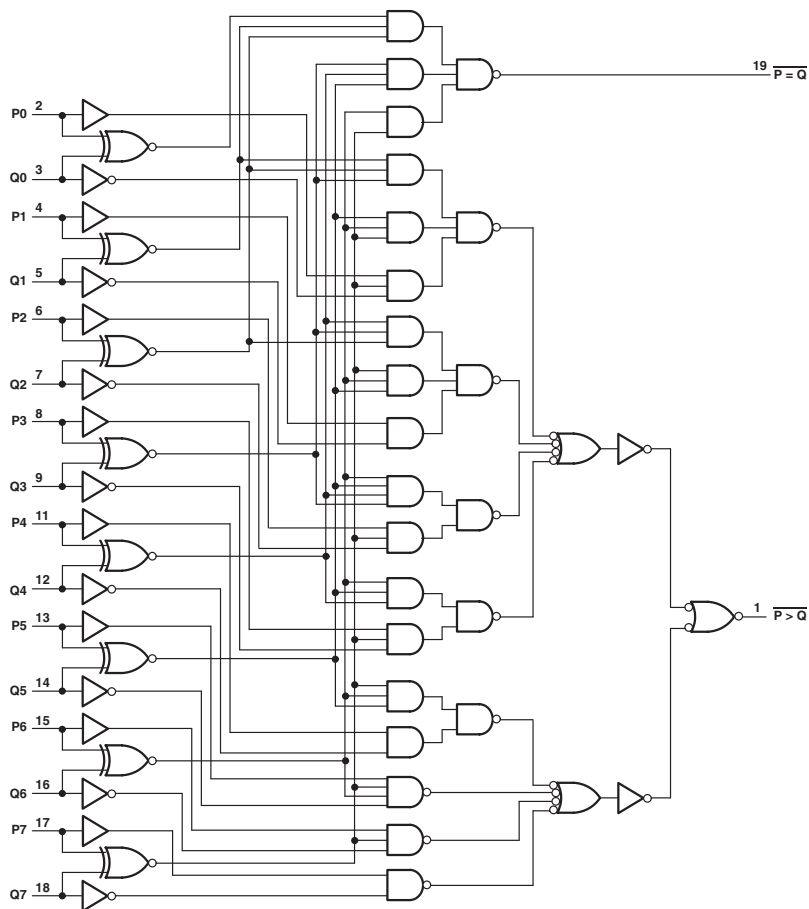
PARAMETER	INPUT	OUTPUT	MAX or MIN	LS	SN74 HC
t <sub>PLH</sub>	P	$\overline{P=Q}$	MAX	25	69
				25	69
t <sub>PHL</sub>	Q	$\overline{P=Q}$	MAX	25	69
				25	69
t <sub>PLH</sub>	P	$\overline{P>Q}$	MAX	30	69
				30	69
t <sub>PHL</sub>	Q	$\overline{P>Q}$	MAX	30	69
				30	69

UNIT: ns

## 8-BIT MAGNITUDE COMPARATORS

- Totem-Pole Outputs
- Hysteresis at P and Q Inputs

Logic Diagram



**FUNCTION TABLE**

DATA INPUT P, Q	OUTPUTS	
	$\overline{P \cdot Q}$	$\overline{P > Q}$
$\overline{P \cdot Q}$	L	H
$\overline{P > Q}$	H	L
$\overline{P < Q}$	H	H

**ELECTRICAL CHARACTERISTICS AND RECOMMENDED OPERATING CONDITIONS**

PARAMETER	MAX or MIN	LS	SN74 HC	UNIT
$I_{CC}$	MAX	65	0.08	mA
$I_{OH}$	MAX	-0.4	-4	mA
$I_{OL}$	MAX	24	4	mA

**SWITCHING CHARACTERISTICS**

PARAMETER	INPUT	OUTPUT	MAX or MIN	LS	SN74 HC
$t_{PLH}$	P	$\overline{P = Q}$	MAX	25	69
$t_{PHL}$				25	69
$t_{PLH}$	Q	$\overline{P = Q}$	MAX	25	69
$t_{PHL}$				25	69
$t_{PLH}$	P	$\overline{P > Q}$	MAX	30	69
$t_{PHL}$				30	69
$t_{PLH}$	Q	$\overline{P > Q}$	MAX	30	69
$t_{PHL}$				30	69

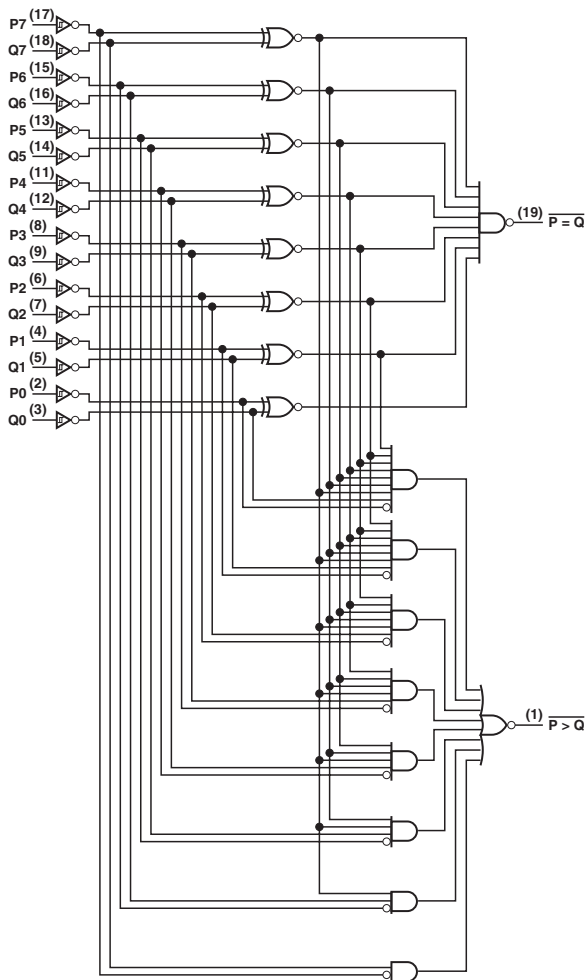
UNIT: ns



## 8-BIT MAGNITUDE/IDENTITY COMPARATORS

- Totem-Pole Outputs
- Hysteresis at P and Q Inputs

Logic Diagram



**FUNCTION TABLE**

DATA	INPUTS		OUTPUTS	
	ENABLE		$\overline{P-Q}$	$P-Q$
P, Q	$\overline{G1}$	$\overline{G2}$		
P=Q	L	L	L	H
P>Q	L	L	H	L
P<Q	L	L	H	H
X	H	H	H	H

**ELECTRICAL CHARACTERISTICS AND RECOMMENDED OPERATING CONDITIONS**

PARAMETER	MAX or MIN	LS	UNIT
I <sub>CC</sub>	MAX	75	mA
I <sub>OH</sub>	MAX	-0.4	mA
I <sub>OL</sub>	MAX	24	mA

**SWITCHING CHARACTERISTICS**

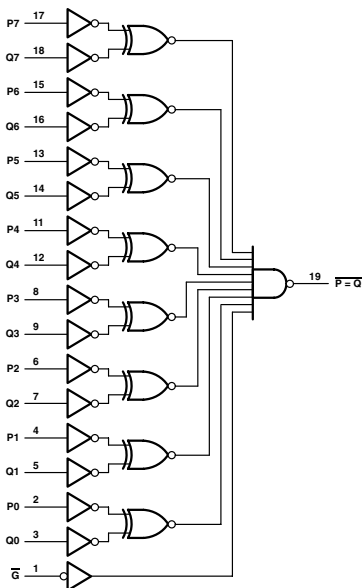
PARAMETER	INPUT	OUTPUT	MAX or MIN	LS
t <sub>PLH</sub>	P	$\overline{P=Q}$	MAX	25
				30
t <sub>PHL</sub>	Q	$\overline{P=Q}$	MAX	25
				30
t <sub>PLH</sub>	$\overline{G1}$	$\overline{P=Q}$	MAX	20
				30
t <sub>PHL</sub>	P	$\overline{P>Q}$	MAX	30
				30
t <sub>PLH</sub>	Q	$\overline{P>Q}$	MAX	30
				30
t <sub>PHL</sub>	$\overline{G2}$	$\overline{P>Q}$	MAX	30
				25

UNIT: ns

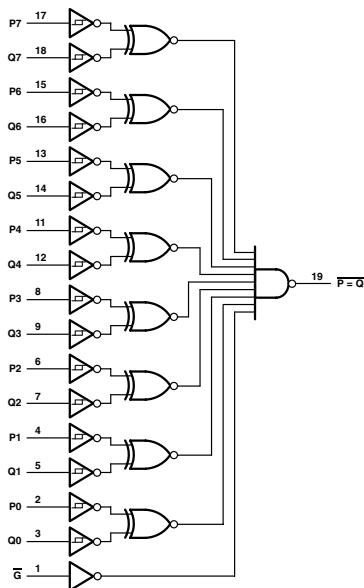
## 8-BIT IDENTITY COMPARATORS

- Totem-Pole Outputs
- Hysteresis at P and Q Inputs

Logic Diagram  
(SN74ALS)



(SN74LS)



**FUNCTION TABLE**

INPUTS		OUTPUT
DATA	ENABLE	$\overline{P=Q}$
P, Q	$\overline{G}$	
P=Q	L	L
P>Q	L	H
P<Q	L	H
X	H	H

**ELECTRICAL CHARACTERISTICS AND RECOMMENDED OPERATING CONDITIONS**

PARAMETER	MAX or MIN	LS	ALS	SN74 HC	CD74 HC	CD74 HCT	UNIT
I <sub>CC</sub>	MAX	65	19	0.08	0.16	0.16	mA
I <sub>OH</sub>	MAX	-0.4	-2.6	-4	-4	-4	mA
I <sub>OL</sub>	MAX	24	24	4	4	4	mA

**SWITCHING CHARACTERISTICS**

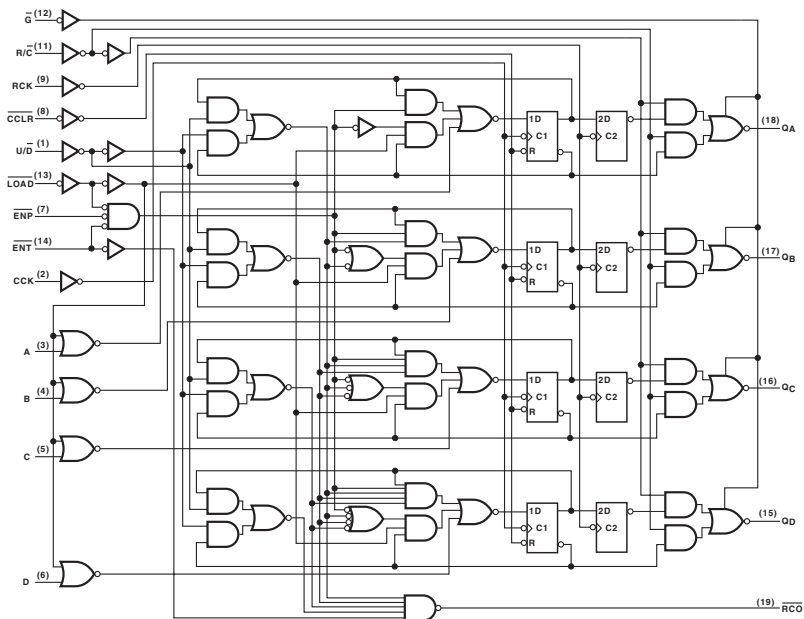
PARAMETER	INPUT	OUTPUT	MAX or MIN	LS	ALS	SN74 HC	CD74 HC	CD74 HCT
t <sub>PLH</sub>	P (CD74: A)	$\overline{P=Q}$ (CD74: Y)	MAX	18	12	53	51	51
				23	20	53	51	51
t <sub>PLH</sub>	Q (CD74: B)	$\overline{P=Q}$ (CD74: Y)	MAX	18	12	53	51	51
				23	20	53	51	51
t <sub>PHL</sub>	$\overline{G}$ (CD74: E)	$\overline{P=Q}$ (CD74: Y)	MAX	18	12	30	36	36
				20	22	30	36	36

UNIT: ns

## SYNCHRONOUS UP/DOWN COUNTERS WITH OUTPUT REGISTERS AND MULTIPLEXED 3-STATE OUTPUTS

- Multiplexed Outputs for Counter or Latched Data
- 3-State Outputs Drive Bus Lines Directly
- Binary Counter, Direct Clear

Logic Diagram



## ELECTRICAL CHARACTERISTICS AND RECOMMENDED OPERATING CONDITIONS

PARAMETER		MAX or MIN	LS	UNIT
I <sub>CC</sub>		MAX	70	mA
I <sub>OH</sub>	Q	MAX	-2.6	mA
	$\overline{RCO}$		-0.4	mA
I <sub>OL</sub>	Q	MAX	24	mA
	$\overline{RCO}$		8	mA

## TIMING REQUIREMENTS AND SWITCHING CHARACTERISTICS

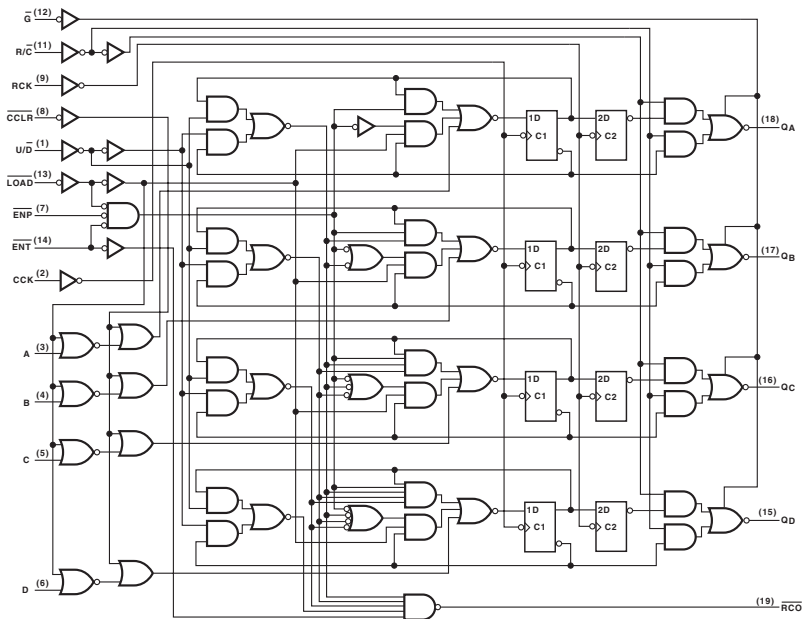
PARAMETER		INPUT	OUTPUT	MAX or MIN	LS	
t <sub>w</sub>	CCK			MIN	25	
	RCK				25	
t <sub>su</sub>	A thru D			MIN	30	
	$\overline{ENT}$ , $\overline{ENP}$				30	
	U/D				35	
t <sub>h</sub>				MIN	0	
t <sub>PLH</sub>	CCK ↑			$\overline{RCO}$	MAX	40
t <sub>PHL</sub>						40
t <sub>PLH</sub>	$\overline{ENT}$			$\overline{RCO}$	MAX	20
t <sub>PHL</sub>						20
t <sub>PLH</sub>	CCK ↓	Q	MAX	20		
t <sub>PHL</sub>				25		
t <sub>PLH</sub>	RCK ↓	Q	MAX	20		
t <sub>PHL</sub>				25		
t <sub>PHL</sub>	$\overline{CCLR}$ ↓	Q	MAX	40		
t <sub>PLH</sub>	R / $\overline{C}$	Q	MAX	25		
t <sub>PHL</sub>				25		

UNIT: ns

## SYNCHRONOUS UP/DOWN COUNTERS WITH OUTPUT REGISTERS AND MULTIPLEXED 3-STATE OUTPUTS

- Multiplexed Outputs for Counter or Latched Data
- 3-State Outputs Drive Bus Lines Directly
- Binary Counter, Synchronous Clear

Logic Diagram



## ELECTRICAL CHARACTERISTICS AND RECOMMENDED OPERATING CONDITIONS

PARAMETER		MAX or MIN	LS	UNIT
I <sub>CC</sub>		MAX	70	mA
I <sub>OH</sub>	Q	MAX	-2.6	mA
	$\overline{RCO}$	MAX	-0.4	mA
I <sub>OL</sub>	Q	MAX	24	mA
	$\overline{RCO}$	MAX	8	mA

## TIMING REQUIREMENTS AND SWITCHING CHARACTERISTICS

PARAMETER		INPUT	OUTPUT	MAX or MIN	LS	
t <sub>tr</sub>	CCK			MIN	25	
	RCK				25	
t <sub>su</sub>	A thru D			MIN	30	
	$\overline{ENT}$ , $\overline{ENP}$				30	
	U/D				35	
	CCLR				30	
t <sub>h</sub>				MIN	0	
t <sub>PLH</sub>	CCK ↑			$\overline{RCO}$	MAX	40
t <sub>PHL</sub>						40
t <sub>PLH</sub>	$\overline{ENT}$			$\overline{RCO}$	MAX	20
t <sub>PHL</sub>		20				
t <sub>PLH</sub>	CCK ↑	Q	MAX	20		
t <sub>PHL</sub>				25		
t <sub>PLH</sub>	RCK ↑	Q	MAX	20		
t <sub>PHL</sub>				25		
t <sub>PLH</sub>	R/ $\overline{C}$	Q	MAX	25		
t <sub>PHL</sub>				25		

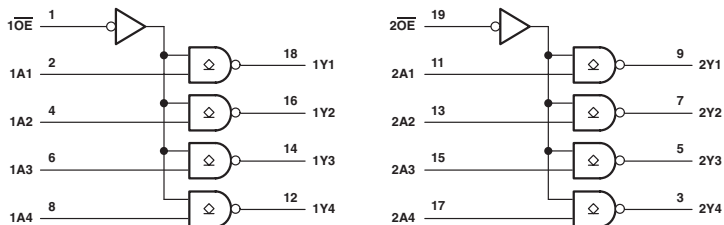
UNIT: ns



## OCTAL BUFFER/DRIVER WITH OPEN-COLLECTOR OUTPUTS

- Eliminate the Need for 3-State Overlap Protection
- pnp Inputs Reduce dc Loading
- Open-Collector Versions of SN74AS240A

Logic Diagram



## ELECTRICAL CHARACTERISTICS AND RECOMMENDED OPERATING CONDITIONS

PARAMETER	MAX or MIN	AS	SN74 BCT	UNIT
$I_{CC}$	MAX	80	86	mA
$V_{OH}$	MAX	5.5	5.5	V
$I_{OL}$	MAX	64	64	mA

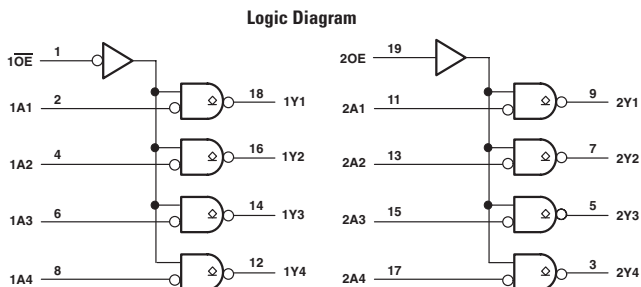
## SWITCHING CHARACTERISTICS

PARAMETER	INPUT	OUTPUT	MAX or MIN	AS	SN74 BCT
$t_{PLH}$	A	Y	MAX	19	11.3
$t_{PHL}$				6	4.2
$t_{PLH}$	$\overline{OE}$	Y	MAX	19.5	16.5
$t_{PHL}$				7.5	10.3

UNIT:ns

## OCTAL BUFFER/DRIVER WITH OPEN-COLLECTOR OUTPUTS

- Eliminate the Need for 3-State Overlap Protection
- pnp Inputs Reduce dc Loading
- Open-Collector Versions of SN74AS241



## ELECTRICAL CHARACTERISTICS AND RECOMMENDED OPERATING CONDITIONS

PARAMETER	MAX or MIN	AS	SN74 BCT	SN64 BCT	UNIT
I <sub>CC</sub>	MAX	95	77	77	mA
V <sub>OH</sub>	MAX	5.5	5.5	5.5	V
I <sub>OL</sub>	MAX	64	64	64	mA

## SWITCHING CHARACTERISTICS

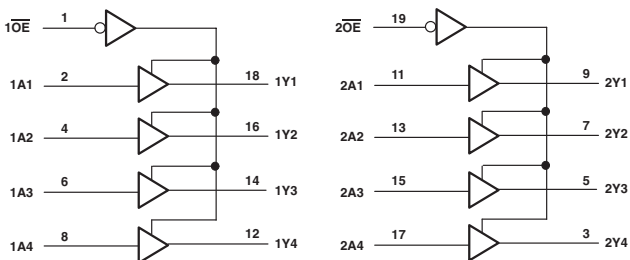
PARAMETER	INPUT	OUTPUT	MAX or MIN	AS	SN74 BCT	SN64 BCT
t <sub>PLH</sub>	A	Y	MAX	18.5	10.1	10.1
				6	6.6	6.6
t <sub>PHL</sub>	1OE	1Y	MAX	20	19.7	19.7
				7	6.9	6.9
t <sub>PLH</sub>	2OE	2Y	MAX	21	18	18
				7.5	8.5	8.5

UNIT:ns

## OCTAL BUFFERS/DRIVERS WITH OPEN-COLLECTOR OUTPUTS

- Open-Collector Outputs Drive Bus Lines or Buffer Memory Address Registers
- pnp Inputs Reduce dc Loading
- Open-Collector Versions of SN74ALS244 and SN74AS244

## Logic Diagram



## ELECTRICAL CHARACTERISTICS AND RECOMMENDED OPERATING CONDITIONS

PARAMETER	MAX or MIN	ALS	AS	SN74 BCT	UNIT
$I_{CC}$	MAX	19	94	76	mA
$V_{OH}$	MAX	5.5	5.5	5.5	V
$I_{OL}$	MAX	24	64	64	mA

## SWITCHING CHARACTERISTICS

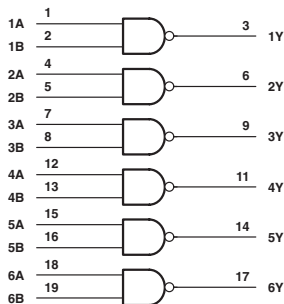
PARAMETER	INPUT	OUTPUT	MAX or MIN	ALS	AS	SN74 BCT
$t_{PLH}$	A	Y	MAX	15	18.5	10
$t_{PHL}$				12	6	7.2
$t_{PLH}$	$\overline{OE}$	Y	MAX	16	18.5	17.5
$t_{PHL}$				13	7	9.9

UNIT:ns

## HEX 2-INPUT NAND DRIVERS

- $Y = \overline{A \cdot B}$
- High Capacitive-Drive Capability

Logic Diagram



FUNCTION TABLE

INPUTS		OUTPUT
A	B	Y
H	H	L
L	X	H
X	L	H

ELECTRICAL CHARACTERISTICS AND RECOMMENDED OPERATING CONDITIONS

PARAMETER	MAX or MIN	ALS	AS	SN74 HC	UNIT
I <sub>CC</sub>	MAX	12	27	0.08	mA
I <sub>OH</sub>	MAX	-15	-48	-6	mA
I <sub>OL</sub>	MAX	24	48	6	mA

SWITCHING CHARACTERISTICS

PARAMETER	INPUT	OUTPUT	MAX or MIN	ALS	AS	SN74 HC
t <sub>PLH</sub>	A, B	Y	MAX	7	4	25
t <sub>PHL</sub>			MAX	8	4	25

UNIT:ns

## 805

## HEX 2-INPUT NOR DRIVERS

- $Y = \overline{A + B}$
- High Capacitive-Drive Capability

## FUNCTION TABLE

INPUTS		OUTPUT
A	B	Y
H	X	L
X	H	L
L	L	H

ELECTRICAL CHARACTERISTICS AND RECOMMENDED OPERATING CONDITION<sup>1)</sup>

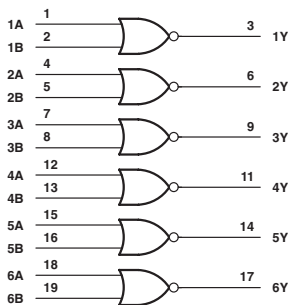
PARAMETER	MAX or MIN	ALS	AS	SN74 HC	UNIT
$I_{CC}$	MAX	14	32	0.08	mA
$I_{OH}$	MAX	-15	-48	-6	mA
$I_{OL}$	MAX	24	48	6	mA

## SWITCHING CHARACTERISTICS

PARAMETER	INPUT	OUTPUT	MAX or MIN	ALS	AS	SN74 HC
$t_{PLH}$	A, B	Y	MAX	7	4.3	24
$t_{PHL}$			MAX	8	4.3	24

UNIT:ns

## Logic Diagram



## 808

## HEX 2-INPUT AND DRIVERS

- $Y = A + B$
- High Capacitive-Drive Capability

## FUNCTION TABLE

INPUTS		OUTPUT
A	B	Y
H	H	H
L	X	L
X	L	L

ELECTRICAL CHARACTERISTICS AND RECOMMENDED OPERATING CONDITION<sup>1)</sup>

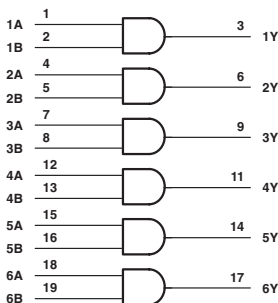
PARAMETER	MAX or MIN	AS	SN74 HC	UNIT
$I_{CC}$	MAX	33	0.08	mA
$I_{OH}$	MAX	-48	-6	mA
$I_{OL}$	MAX	48	6	mA

## SWITCHING CHARACTERISTICS

PARAMETER	INPUT	OUTPUT	MAX or MIN	AS	SN74 HC
$t_{PLH}$	A, B	Y	MAX	6	25
$t_{PHL}$			MAX	6	25

UNIT:ns

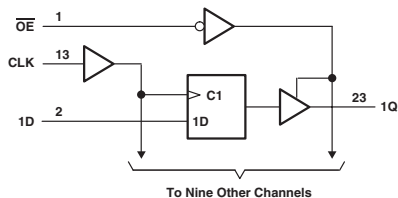
## Logic Diagram



## 10-BIT BUS-INTERFACE FLIP FLOPS WITH 3-STATE OUTPUTS

- Outputs Have Undershoot-Protection Circuitry
- Power-Up High-Impedance State

### Logic Diagram



FUNCTION TABLE

INPUTS			OUTPUT
OE	CLK	D	Q
L	↑	H	H
L	↑	L	L
L	L	X	Q <sub>0</sub>
H	X	X	Z

### ELECTRICAL CHARACTERISTICS AND RECOMMENDED OPERATING CONDITIONS

PARAMETER	MAX or MIN	AS	ABT	LVC 3V	UNIT
I <sub>CC</sub>	MAX	113	38	0.01	mA
I <sub>OH</sub>	MAX	-24	-32	-24	mA
I <sub>OL</sub>	MAX	48	64	24	mA

### TIMING REQUIREMENTS AND SWITCHING CHARACTERISTICS

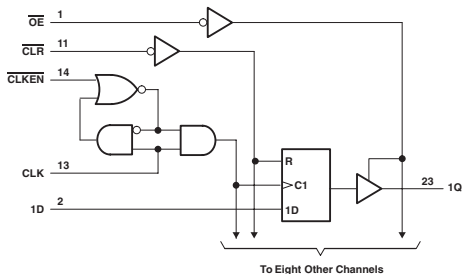
PARAMETER	INPUT	OUTPUT	MAX or MIN	AS	ABT	LVC 3V
t <sub>w</sub>	High		MIN	8	2.9	3.3
	Low		MIN	8	3.8	3.3
t <sub>su</sub>			MIN	6	2.1	1.9
			MIN	0	1.3	1.5
t <sub>PLH</sub>	CLK	Q	MAX	7.5	6.2	7.3
t <sub>PHL</sub>				13	6.7	7.3
t <sub>PZH</sub>	OE	Q	MAX	11	5.8	7.6
t <sub>PZL</sub>				12	6.3	7.6
t <sub>PHZ</sub>	OE	Q	MAX	8	6.7	6.2
t <sub>PLZ</sub>				8	6.5	6.2

UNIT: ns

## 9-BIT BUS-INTERFACE FLIP-FLOPS WITH 3-STATE OUTPUTS

- Functionally Equivalent to AMD's AM29823 and AM29824
- Outputs Have Undershoot-Protection Circuitry
- Power-Up High-Impedance State

Logic Diagram



FUNCTION TABLE

INPUTS					OUTPUT
OE	CLR	CLKEN	CLK	D	Q
L	L	X	X	X	L
L	H	L	↑	H	H
L	H	L	↑	L	L
L	H	H	X	X	Q <sub>0</sub>
H	X	X	X	X	Z

## ELECTRICAL CHARACTERISTICS AND RECOMMENDED OPERATING CONDITIONS

PARAMETER	MAX or MIN	AS	ABT	LVC 3V	UNIT
I <sub>CC</sub>	MAX	103	38	0.01	mA
I <sub>OH</sub>	MAX	-24	-32	-24	mA
I <sub>OL</sub>	MAX	48	64	24	mA

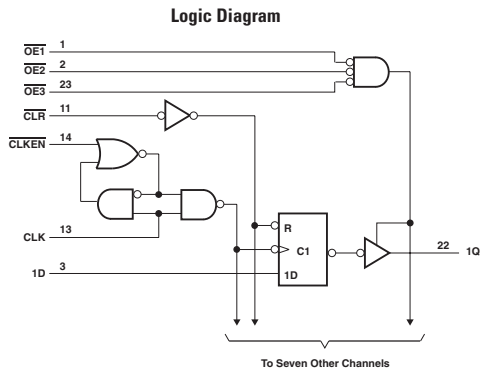
## TIMING REQUIREMENTS AND SWITCHING CHARACTERISTICS

PARAMETER		INPUT	OUTPUT	MAX or MIN	AS	ABT	LVC 3V
t <sub>w</sub>	CLR "L"			MIN	6.5	5.5	3.3
	CLK "H"				8	2.9	3.3
	CLK "L"				8	3.8	3.3
t <sub>su</sub>	CLR inactive			MIN	8	2.5	1
	DATA				6	2.1	1.3
	CLKEN "H"				7.5	2	-
	CLKEN "L"				7.5	3.3	1.8
	DATA				-	1.3	2
t <sub>h</sub>	DATA			MIN	-	1	-
	CLKEN "H"				0	2	1.3
	CLKEN "L"						
t <sub>PLH</sub>		CLK	Q	MAX	7.5	6.8	8
t <sub>PHL</sub>		CLK	Q	MAX	13	6.7	8
t <sub>PHL</sub>		CLR	Q	MAX	15.5	7.1	7.9
t <sub>PZH</sub>		OE	Q	MAX	11	6	7.2
t <sub>PZL</sub>		OE	Q	MAX	12	6.5	7.2
t <sub>PHZ</sub>		OE	Q	MAX	8	7.5	6
t <sub>PLZ</sub>		OE	Q	MAX	8	6.9	6

UNIT: ns

## 8-BIT BUS-INTERFACE FLIP-FLOPS WITH 3-STATE OUTPUTS

- Improved  $I_{OH}$  Specifications (Max: -24mA)
- Outputs Have Undershoot-Protection Circuitry
- Power-Up High-Impedance State



FUNCTION TABLE

INPUTS					OUTPUT
OE	CLR	CLKEN	CLK	D	Q
L	L	X	X	X	L
L	H	L	↑	H	H
L	H	L	↑	L	L
L	H	H	X	X	$Q_0$
H	X	X	X	X	Z

## ELECTRICAL CHARACTERISTICS AND RECOMMENDED OPERATING CONDITIONS

PARAMETER	MAX or MIN	AS	UNIT
$I_{CC}$	MAX	95	mA
$I_{OH}$	MAX	-24	mA
$I_{OL}$	MAX	48	mA

## TIMING REQUIREMENTS AND SWITCHING CHARACTERISTICS

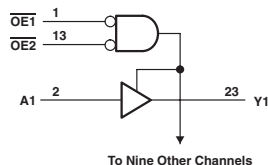
PARAMETER		INPUT	OUTPUT	MAX or MIN	AS
$t_w$	$\overline{\text{CLR}}$ "L"			MIN	4
	CLK "H"				8
	CLK "L"				8
$t_{su}$	CLR			MIN	8
	DATA				6
	CLKEN				6
$t_h$				MIN	0
$t_{PLH}$		CLK	Q	MAX	7.5
$t_{PHL}$		CLK	Q	MAX	13
$t_{PHL}$		CLR	Q	MAX	15.5
$t_{PZH}$		$\overline{\text{OE}}$	Q	MAX	11
$t_{PZL}$		$\overline{\text{OE}}$	Q	MAX	12
$t_{PHZ}$		$\overline{\text{OE}}$	Q	MAX	8
$t_{PLZ}$		$\overline{\text{OE}}$	Q		8

UNIT: ns



## 10-BIT BUFFERS/DRIVERS WITH 3-STATE OUTPUTS

- 3-State Outputs Drive Bus Lines or Buffer Memory Address Registers
- 74AC11xxx: Product Available in Reduced-Noise Advanced CMOS (11000 Series)
- 74ACT11xxx: Product Available in Reduced-Noise Advanced CMOS (11000 Series)



FUNCTION TABLE

INPUTS			OUTPUT
OE1	OE2	A	Y
L	L	H	H
L	L	L	L
X	H	X	Z
H	X	X	Z

ELECTRICAL CHARACTERISTICS AND RECOMMENDED OPERATING CONDITIONS

PARAMETER	MAX or MIN	ABT	AC 11	ACT 11	LVC 3V	UNIT
I <sub>CC</sub>	MAX	40	0.08	0.08	0.01	mA
I <sub>OH</sub>	MAX	-32	-24	-24	-24	mA
I <sub>OL</sub>	MAX	64	24	24	24	mA

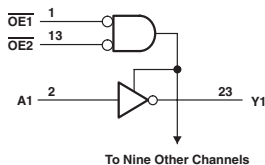
SWITCHING CHARACTERISTICS

PARAMETER	INPUT	OUTPUT	MAX or MIN	ABT	AC 11	ACT 11	LVC 3V
t <sub>PLH</sub>	A	Y	MAX	4.8	8.7	9.2	6.7
t <sub>PHL</sub>				4.7	9.7	11.2	6.7
t <sub>PZH</sub>	OE		MAX	5.9	9.7	11.3	7.3
t <sub>PZL</sub>				6.9	13	14	7.3
t <sub>PHZ</sub>	OE	MAX	MAX	6.8	9.1	12	6.7
t <sub>PLZ</sub>				6.9	8.8	11.6	6.7

UNIT: ns

## 10-BIT BUFFERS/DRIVERS WITH 3-STATE OUTPUTS

- 3-State Outputs Drive Bus Lines or Buffer Memory Address Registers
- 74AC11xxx: Product Available in Reduced-Noise Advanced CMOS (11000 Series)
- 74ACT11xxx: Product Available in Reduced-Noise Advanced CMOS (11000 Series)



FUNCTION TABLE

INPUTS			OUTPUT
OE1	OE2	A	Y
L	L	H	L
L	L	L	H
H	X	X	Z
X	H	X	Z

ELECTRICAL CHARACTERISTICS AND RECOMMENDED OPERATING CONDITIONS

PARAMETER	MAX or MIN	AC 11	ACT 11	LVC 3V	UNIT
I <sub>CC</sub>	MAX	0.08	0.08	0.01	mA
I <sub>OH</sub>	MAX	-24	-24	-24	mA
I <sub>OL</sub>	MAX	24	24	24	mA

SWITCHING CHARACTERISTICS

PARAMETER	INPUT	OUTPUT	MAX or MIN	AC 11	ACT 11	LVC 3V
t <sub>PLH</sub>	A	Y	MAX	9.5	10.2	6.7
t <sub>PHL</sub>				10.4	11.7	6.7
t <sub>PZH</sub>	OE		MAX	10.7	12.1	7.3
t <sub>PZL</sub>				13.2	14.7	7.3
t <sub>PHZ</sub>	OE	MAX	MAX	9.6	12.3	6.7
t <sub>PLZ</sub>				9.2	11.7	6.7

UNIT: ns

## HEX 2-INPUT OR DRIVERS

- $Y = A + B$
- High Capacitive-Drive Capability

FUNCTION TABLE

INPUTS		OUTPUT
A	B	Y
H	X	H
X	H	H
L	L	L

ELECTRICAL CHARACTERISTICS AND RECOMMENDED OPERATING CONDITIOI

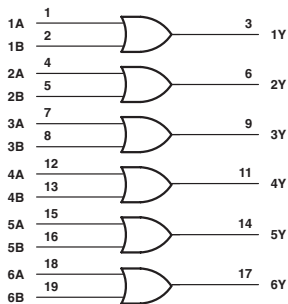
PARAMETER	MAX or MIN	ALS	AS	SN74 HC	UNIT
$I_{CC}$	MAX	16	36	0.08	mA
$I_{OH}$	MAX	-15	-48	-6	mA
$I_{OL}$	MAX	24	48	6	mA

SWITCHING CHARACTERISTICS

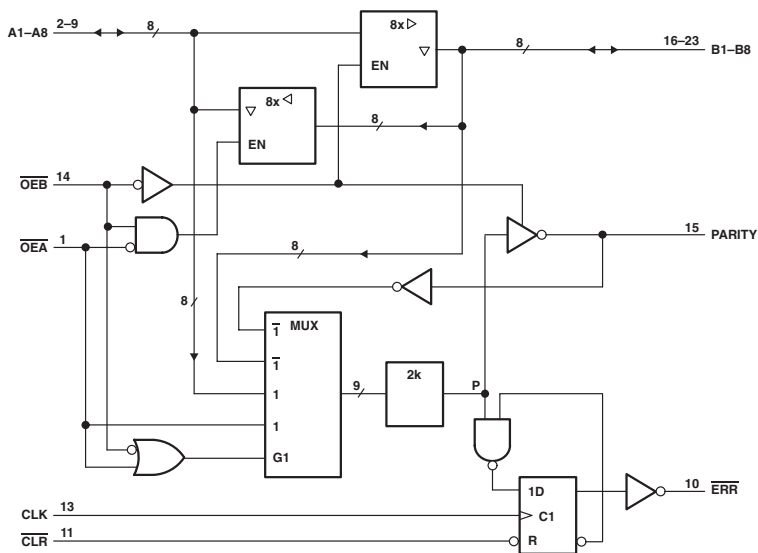
PARAMETER	INPUT	OUTPUT	MAX or MIN	ALS	AS	SN74 HC
$t_{PLH}$	A, B	Y	MAX	9	6.3	25
$t_{PHL}$			MAX	8	6.3	25

UNIT:ns

Logic Diagram



Logic Diagram



**FUNCTION TABLE**

INPUTS						OUTPUTS AND I/O				FUNCTION
OEB	OEA	CLR	CLK	Ai Σ OF H's Odd Even	Bi Σ OF H's Odd Even	A	B	PARITY	ERR	
L	H	X	X	Odd Even	NA	NA	A	L H	NA	A data to B bus and generate parity
H	L	H	↑	NA	Odd Even	B	NA	NA	H L	B data to A bus and check parity
X	X	L	X	X	X	X	NA	NA	H	Check error flag register
H	H	H	No↑ L No↑ H ↑ H ↑	X X ↑ Odd Even	X	Z	Z	Z	NC H H L	Isolation
L	L	X	X	Odd Even	NA	NA	A	H L	NA	A data to B bus and generate inverted parity

INPUTS		INTERNAL TO DEVICE	OUTPUT PRE-STATE	OUTPUT ERR	FUNCTION
CLR	CLK	POINT P	ERR <sub>n-1</sub> †	ERR	
H	↑	H	H	H	Sample
H	↑	X	L	H	
H	↑	L	X	L	
L	X	X	X	H	Clear

† The state of ERR before any changes at CLR, CLK, or point P

**ELECTRICAL CHARACTERISTICS AND RECOMMENDED OPERATING CONDITIONS**

PARAMETER	MAX or MIN	ABT	UNIT
I <sub>CC</sub>	MAX	38	mA
I <sub>OH</sub>	MAX	-32	mA
I <sub>OL</sub>	MAX	64	mA

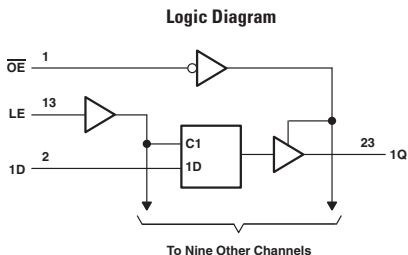
**SWITCHING CHARACTERISTICS**

PARAMETER	INPUT	OUTPUT	MAX or MIN	ABT
t <sub>PLH</sub>	A or B	B or A	MAX	5.3
t <sub>PHL</sub>				5.3
t <sub>PLH</sub>	A	PARITY	MAX	11.2
t <sub>PHL</sub>				11
t <sub>PZH</sub>	OE	PARITY	MAX	10.5
t <sub>PZL</sub>				10
t <sub>PLH</sub>	CLR	ERR	MAX	5.2
t <sub>PHL</sub>	CLK			6.2
t <sub>PZH</sub>	OE	A,B, or PARITY	MAX	6.5
t <sub>PZL</sub>				6.5
t <sub>PHZ</sub>	OE	A,B, or PARITY	MAX	7.9
t <sub>PLZ</sub>				8.1

UNIT: ns

## 10-BIT BUS-INTERFACE D-TYPE LATCHES WITH 3-STATE OUTPUTS

- 3-State Buffer-Type Outputs Drive Bus Lines Directly
- Bus-Structured Pinout
- Provide Extra Bus-Driving Latches Necessary for Wider Address/Data Paths or Buses with Parity
- Power-Up High-Impedance State



FUNCTION TABLE

INPUTS			OUTPUT
OE	LE	D	Q
L	H	H	L
L	H	L	H
L	L	X	Q <sub>0</sub>
H	X	X	Z

## ELECTRICAL CHARACTERISTICS AND RECOMMENDED OPERATING CONDITIONS

PARAMETER	MAX or MIN	ALS	AS	ABT	LVC 3V	UNIT
I <sub>CC</sub>	MAX	62	94	38	0.01	mA
I <sub>OH</sub>	MAX	-2.6	-24	-32	-24	mA
I <sub>OL</sub>	MAX	24	48	64	24	mA

## TIMING REQUIREMENTS AND SWITCHING CHARACTERISTICS

PARAMETER	INPUT	OUTPUT	MAX or MIN	ALS	AS	ABT	LVC 3V
t <sub>w</sub>			MIN	20	4	3.3	3.3
t <sub>su</sub>	High			10	2.5	2.5	2.1
t <sub>su</sub>	Low			10	2.5	1.5	2.1
t <sub>h</sub>				5	2.5	1.5	1
t <sub>PLH</sub>	D	Q	MAX	13	6.5	6.2	6.7
t <sub>PHL</sub>				13	10.5	6.2	6.7
t <sub>PLH</sub>	LE	Q	MAX	21	12	6.5	7.6
t <sub>PHL</sub>				26	12	6.7	7.6
t <sub>PZH</sub>	OE	Q	MAX	12	14	5.3	7.2
t <sub>PZL</sub>				12	16	6.3	7.2
t <sub>PHZ</sub>	OE	Q	MAX	10	8	7.1	5.9
t <sub>PLZ</sub>				12	8	6.5	5.9

UNIT: ns

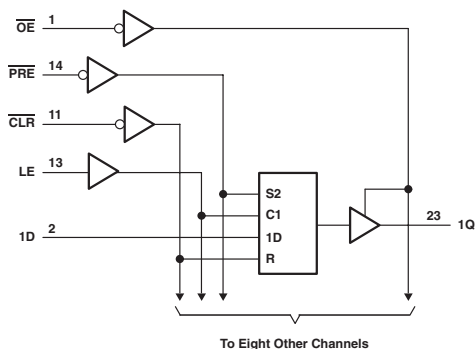
## 9-BIT BUS-INTERFACE D-TYPE LATCHES WITH 3-STATE OUTPUTS

- 3-State Buffer-Type Outputs Drive Bus Lines Directly
- Bus-Structured Pinout
- Provides Extra Bus-Driving Latches Necessary for Wider Address/Data Paths or Buses with Parity
- Power-Up High-Impedance State

FUNCTION TABLE

		INPUTS				OUTPUT
PRE	CLR	OE	LE	D	H	
L	H	L	X	X	H	
H	L	L	X	X	L	
L	L	L	X	X	H	
H	H	L	H	L	L	
H	H	L	H	H	H	
H	H	L	L	X	Q <sub>0</sub>	
X	X	H	X	X	Z	

Logic Diagram



## ELECTRICAL CHARACTERISTICS AND RECOMMENDED OPERATING CONDITIONS

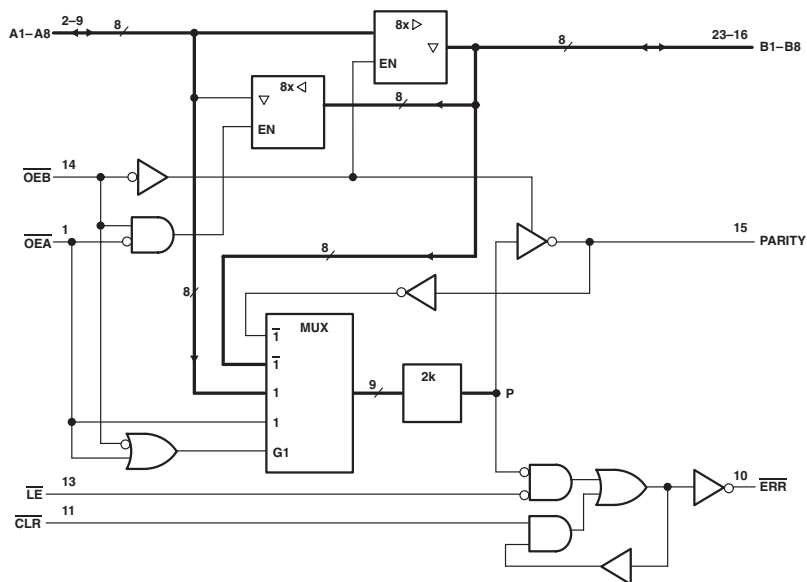
PARAMETER	MAX or MIN	ALS	AS	ABT	UNIT
I <sub>CC</sub>	MAX	67	92	34	mA
I <sub>OH</sub>	MAX	-2.6	-24	-32	mA
I <sub>OL</sub>	MAX	24	48	64	mA

## TIMING REQUIREMENTS AND SWITCHING CHARACTERISTICS

PARAMETER		INPUT	OUTPUT	MAX or MIN	ALS	AS	ABT
t <sub>w</sub>	CLR "L"	D	Q	MIN	35	4	5.5
	PRE "L"				35	4	4.5
	LE "H"				20	4	-
	LE "L"				-	4	3.4
t <sub>su</sub>	LE "L"			MIN	10	2.5	2.5
	LE "H"				10	2.5	3
	PRE inactive				-	15	1.6
	CLR inactive				-	14	2
t <sub>h</sub>	LE "L"	MIN	5	2.5	1		
	LE "H"		5	2.5	1.5		
t <sub>PLH</sub>	D	Q	MAX	13	6.5	6.7	
t <sub>PHL</sub>				18	9	7.2	
t <sub>PLH</sub>	LE	Q	MAX	21	12	7.2	
t <sub>PHL</sub>				26	12	6.9	
t <sub>PLH</sub>	CLR	Q	MAX	-	-	7.1	
t <sub>PHL</sub>				23	13	8	
t <sub>PLH</sub>	PRE	Q	MAX	22	10	7.4	
t <sub>PHL</sub>				-	-	7.2	
t <sub>PZH</sub>	OE	Q	MAX	12	10.5	5.7	
t <sub>PZL</sub>	OE	Q	MAX	14	13.5	6.5	
t <sub>PHZ</sub>	OE	Q	MAX	10	8	6.8	
t <sub>PLZ</sub>				12	8	5.9	

UNIT: ns

Logic Diagram



FUNCTION TABLE

INPUTS						OUTPUT AND I/Os				FUNCTION
OEB	OEA	CLR	LE	A <sub>1</sub> Σ OF H	B <sub>1</sub> Σ OF H	A	B	PARITY	ERR <sup>‡</sup>	
L	H	X	X	Odd Even	NA	NA	A	L H	NA	A data to B bus and generate parity
H	L	H	L	NA	Odd Even	B	NA	NA	H L	B data to A bus and check parity
H	L	H	H	X	X	X	NA	NA	NC	Store error flag
X	X	L	H	X	X	X	NA	NA	H	Clear error flag register
H	H	H	H	X	X	Z	Z	Z	NC H H L	Isolation <sup>§</sup> (parity check)
L	L	X	X	Odd Even	NA	NA	A	H L	NA	A data to B bus and generate inverted parity

NA = not applicable, NC = no change, X = don't care

† Summation of high-level inputs includes PARITY along with BI inputs.

‡ Output states shown assume ERR was previously high.

§ In this mode, ERR (when clocked) shows inverted parity of the A bus.

ERROR-FLAG FUNCTION TABLE

INPUTS		INTERNAL TO DEVICE	OUTPUT PRE-STATE	OUTPUT ERR	FUNCTION
CLR	LE	POINT P	ERR <sub>n-1</sub> <sup>†</sup>		
L	L	L H	X	L H	Pass
H	L	L X H	X L H	L L H	Sample
L	H	X	X	H	Clear
H	H	X	L H	L H	Store

† The state of ERR before changes at CLR, LE, or point P

## ELECTRICAL CHARACTERISTICS AND RECOMMENDED OPERATING CONDITIONS

PARAMETER	MAX or MIN	ABT	UNIT
I <sub>CC</sub>	MAX	38	mA
I <sub>OH</sub>	MAX	-32	mA
I <sub>OL</sub>	MAX	64	mA

## SWITCHING CHARACTERISTICS

PARAMETER	INPUT	OUTPUT	MAX or MIN	ABT
t <sub>PLH</sub>	A or B	B or A	MAX	5.3
t <sub>PHL</sub>				5.3
t <sub>PLH</sub>	A	PARITY	MAX	11.2
t <sub>PHL</sub>				11
t <sub>PLH</sub>	$\overline{OE}$	PARITY	MAX	10.5
t <sub>PHL</sub>				10
t <sub>PLH</sub>	$\overline{CLR}$	ERR	MAX	6.2
t <sub>PHL</sub>				6
t <sub>PLH</sub>	$\overline{LE}$	ERR	MAX	6
t <sub>PHL</sub>				6.6
t <sub>PLH</sub>	B or PARITY	ERR	MAX	11.7
t <sub>PHL</sub>				12.8
t <sub>PZH</sub>	$\overline{OE}$	A or B or PARITY	MAX	6.7
t <sub>PZL</sub>				6.7
t <sub>PHZ</sub>	$\overline{OE}$	A or B or PARITY	MAX	7.9
t <sub>PLZ</sub>				8.1

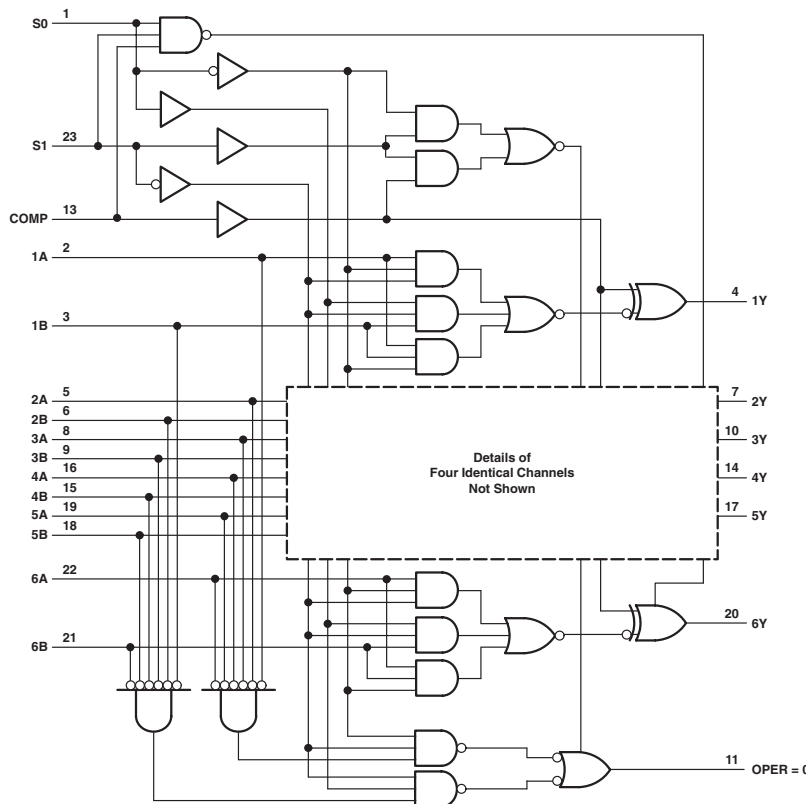
UNIT: ns



## HEX 2-TO-1 UNIVERSAL MULTIPLEXERS WITH 3-STATE OUTPUTS

- Select True or Complementary Data
- Perform AND/NAND (Masking) of A or B Operand
- Cascadable to Expand Number of Operands
- Detect Zeros on A or B Operands
- 3-State Outputs Interface Directly with System Bus

Logic Diagram



**FUNCTION TABLE**

INPUTS			OUTPUTS	
COMP	S1	S0	Y	OPER = 0
L	L	L	A	H = all A inputs L
L	L	H	B	H = all B inputs L
L	H	L	A+B	Z
L	H	H	L	L
H	L	L	A	H = all A inputs L
H	L	H	B	H = all B inputs L
H	H	L	A+B	Z
H	H	H	Z	Z

**ELECTRICAL CHARACTERISTICS AND RECOMMENDED OPERATING CONDITIONS**

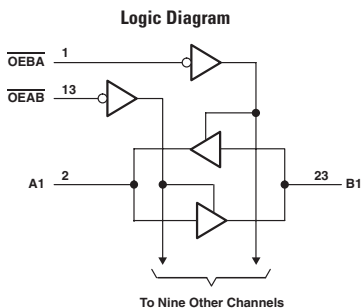
PARAMETER		MAX or MIN	ALS	AS	UNIT
IccZ		MAX	36	135	mA
IcCL		MAX	33	175	mA
Ioh	Y	MAX	-2.6	-15	mA
	OPER = 0	MAX	-2.6	-2	mA
Iol	Y	MAX	24	48	mA
	OPER = 0	MAX	24	20	mA

**TIMING REQUIREMENTS AND SWITCHING CHARACTERISTICS**

PARAMETER	INPUT	OUTPUT	MAX or MIN	ALS	AS
t <sub>pd</sub>	A or B (COMP = "H")	Y inverting	MAX	14	12
t <sub>pd</sub>	A or B (COMP = "L")	Y non-inverting	MAX	14	10
t <sub>pd</sub>	S0 or S1	Y	MAX	33	13
t <sub>pd</sub>	COMP	Y		18	13
t <sub>pd</sub>	A or B	OPER = 0		37	14
t <sub>pd</sub>	S0 to S1	OPER = 0		23	18
t <sub>en</sub>	S0 to S1	Y		35	12
t <sub>dis</sub>	COMP	Y	MAX	23	11
t <sub>en</sub>				24	12
t <sub>dis</sub>				21	9
t <sub>en</sub>	S0	OPER = 0	MAX	20	12
t <sub>dis</sub>				27	9
t <sub>en</sub>	S1	OPER = 0	MAX	25	12
t <sub>dis</sub>				19	9
t <sub>en</sub>	COMP	OPER = 0	MAX	25	13
t <sub>dis</sub>				20	9

UNIT: ns

## 10-BIT TRANSCEIVERS WITH 3-STATE OUTPUTS



FUNCTION TABLE

INPUTS		OPERATION
OEAB	OEBA	
L	H	A data to B bus
H	L	B data to A bus
H	H	Isolation
L	L	Latch A and B (A = B)

## ELECTRICAL CHARACTERISTICS AND RECOMMENDED OPERATING CONDITIONS

PARAMETER	MAX or MIN	ABT	LVC 3V	UNIT
$I_{CC}$	MAX	38	0.01	mA
$I_{DH}$	MAX	-32	-24	mA
$I_{OL}$	MAX	64	24	mA

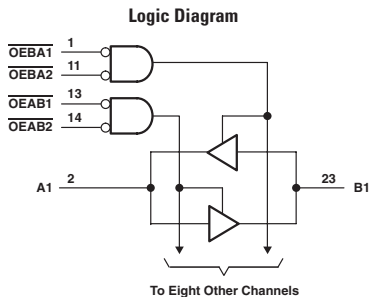
## SWITCHING CHARACTERISTICS

PARAMETER	INPUT	OUTPUT	MAX or MIN	ABT	LVC 3V
$t_{PLH}$	A or B	B or A	MAX	5.2	6.4
$t_{PHL}$				4.9	6.4
$t_{PZH}$	$\overline{OEAB}$ or $\overline{OEBA}$	B or A	MAX	5.9	7
$t_{PZL}$				6.9	7
$t_{PHZ}$	$\overline{OEAB}$ or $\overline{OEBA}$	B or A	MAX	7.5	5.9
$t_{PLZ}$				7.1	5.9

UNIT: ns

## 9-BIT BUS TRANSCEIVERS WITH 3-STATE OUTPUTS

## ● 3-State Outputs



FUNCTION TABLE

INPUTS				OPERATION
OEAB1	OEAB2	OEBA1	OEBA2	
L	L	L	L	Latch A and B
L	L	H	X	A to B
L	L	X	H	A to B
H	X	L	L	B to A
X	H	L	L	B to A
H	X	H	X	Isolation
H	X	X	H	
X	H	X	H	
X	H	H	X	

ELECTRICAL CHARACTERISTICS AND RECOMMENDED OPERATING CONDITIONS

PARAMETER	MAX or MIN	ABT	LVC 3V	UNIT
I <sub>CC</sub>	MAX	38	0.01	mA
I <sub>OH</sub>	MAX	-32	-24	mA
I <sub>OL</sub>	MAX	64	24	mA

SWITCHING CHARACTERISTICS

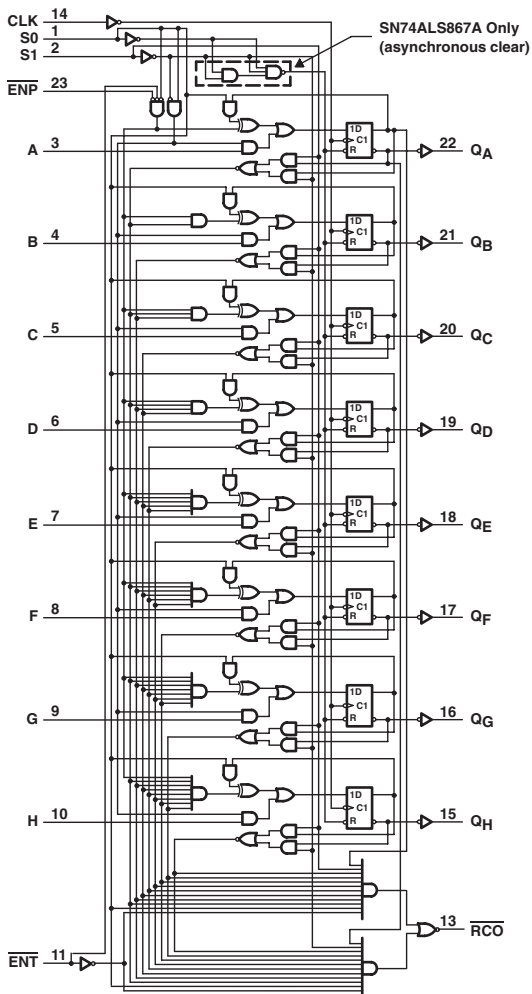
PARAMETER	INPUT	OUTPUT	MAX or MIN	ABT	LVC 3V
t <sub>PLH</sub>	A or B	B or A	MAX	5.7	6.1
				3.9	6.1
t <sub>PZH</sub>	OE	A or B	MAX	5.5	7.2
t <sub>PZL</sub>				5.4	7.2
t <sub>PHZ</sub>	OE	A or B	MAX	6.7	6.3
				6.9	6.3

UNIT: ns

## SYNCHRONOUS 8-BIT UP/DOWN COUNTERS

- Fully Programmable with Synchronous Counting and Loading
- Asynchronous Clear
- Ripple-Carry Output for n-Bit Cascading

Logic Diagram



**FUNCTION TABLE**

S1	S0	FUNCTION
L	L	Clear
L	H	Count down
H	L	Load
H	H	Count up

**ELECTRICAL CHARACTERISTICS AND RECOMMENDED OPERATING CONDITIONS**

PARAMETER	MAX or MIN	ALS	AS	UNIT
I <sub>CC</sub>	MAX	45	195	mA
I <sub>OH</sub>	MAX	-0.4	-2	mA
I <sub>OL</sub>	MAX	8	20	mA

**TIMING REQUIREMENTS AND SWITCHING CHARACTERISTICS**

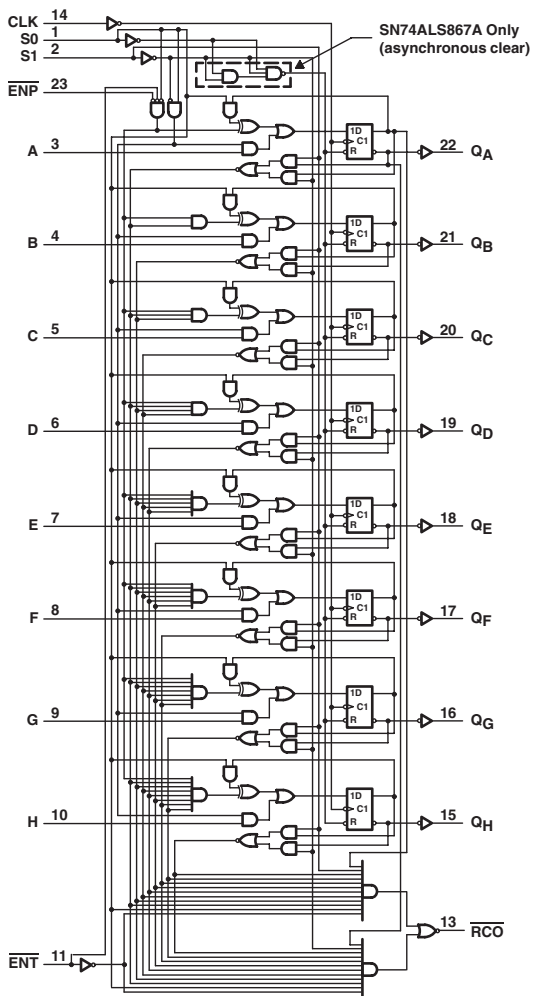
PARAMETER	INPUT	OUTPUT	MAX or MIN	ALS	AS
f <sub>max</sub>			MIN	35	50
t <sub>w</sub>	CLK (clock)		MIN	14	10
	S0 and S1 (clear)			10	10
t <sub>su</sub>	Data input A-H		MIN	10	4
	$\overline{ENP}$ or $\overline{ENT}$			15	8
	S0 low and S1 high (load)			12	10
	S0 and S1 low (clear)			-	10
	S0 high and S1 low (count down)			12	40
	S0 and S1 high (count up)			12	40
t <sub>h</sub>	S0 high after S1 ↑ or S1 high after S0 ↑		MIN	3	-
	Data input A-H			0	0
t <sub>PLH</sub>	CLK	$\overline{RCO}$	MAX	14	22
t <sub>PHL</sub>				16	16
t <sub>PLH</sub>	CLK	Any Q	MAX	16	11
t <sub>PHL</sub>				16	15
t <sub>PLH</sub>	$\overline{ENT}$	$\overline{RCO}$	MAX	14	10
t <sub>PHL</sub>				9	17
t <sub>PLH</sub>	$\overline{ENP}$	$\overline{RCO}$	MAX	-	14
t <sub>PHL</sub>				-	17
t <sub>PHL</sub>	S0, S1 (clear mode)	Any Q	MAX	26	-
t <sub>PLH</sub>	S0 or S1 (count up/down)	$\overline{RCO}$	MAX	16	-
t <sub>PHL</sub>				16	-
t <sub>PHL</sub>	S0 or S1 (clear mode)	$\overline{RCO}$	MAX	16	21

 UNIT f<sub>max</sub> : MHz other : ns

## SYNCHRONOUS 8-BIT UP/DOWN COUNTERS

- Fully Programmable with Synchronous Counting and Loading
- Synchronous Clear
- Ripple-Carry Output for n-Bit Cascading

Logic Diagram



**FUNCTION TABLE**

S1	S0	FUNCTION
L	L	Clear
L	H	Count down
H	L	Load
H	H	Count up

**ELECTRICAL CHARACTERISTICS AND RECOMMENDED OPERATING CONDITIONS**

PARAMETER	MAX or MIN	ALS	AS	UNIT
I <sub>CC</sub>	MAX	45	195	mA
I <sub>OH</sub>	MAX	-0.4	-2	mA
I <sub>OL</sub>	MAX	8	20	mA

**TIMING REQUIREMENTS AND SWITCHING CHARACTERISTICS**

PARAMETER	INPUT	OUTPUT	MAX or MIN	ALS	AS
f <sub>max</sub>			MIN	35	45
t <sub>w</sub>	CLK		MIN	14	11
t <sub>su</sub>	Data input A-H		MIN	10	5
	ENP or ENT			15	9
	S0 low and S1 high (load)			13	11
	S0 and S1 low (clear)			13	11
	S0 high and S1 low (count down)			13	50
	S0 and S1 high (count up)			13	50
t <sub>h</sub>	S0 high after S1 ↑ or S1 high after S0 ↑		MIN	3	-
	Data input A-H			0	0
t <sub>PLH</sub>	CLK	RCO	MAX	14	35
t <sub>PHL</sub>				14	18
t <sub>PLH</sub>	CLK	Any Q	MAX	16	11
t <sub>PHL</sub>				16	15
t <sub>PLH</sub>	ENT	RCO	MAX	14	15
t <sub>PHL</sub>				9	17
t <sub>PLH</sub>	ENP	RCO	MAX	-	19
t <sub>PHL</sub>				-	18
t <sub>PLH</sub>	S1 (count up/down)	RCO	MAX	15	-
t <sub>PHL</sub>				15	-
t <sub>PLH</sub>	S0 (clear/load)	RCO	MAX	16	-
t <sub>PHL</sub>				12	-

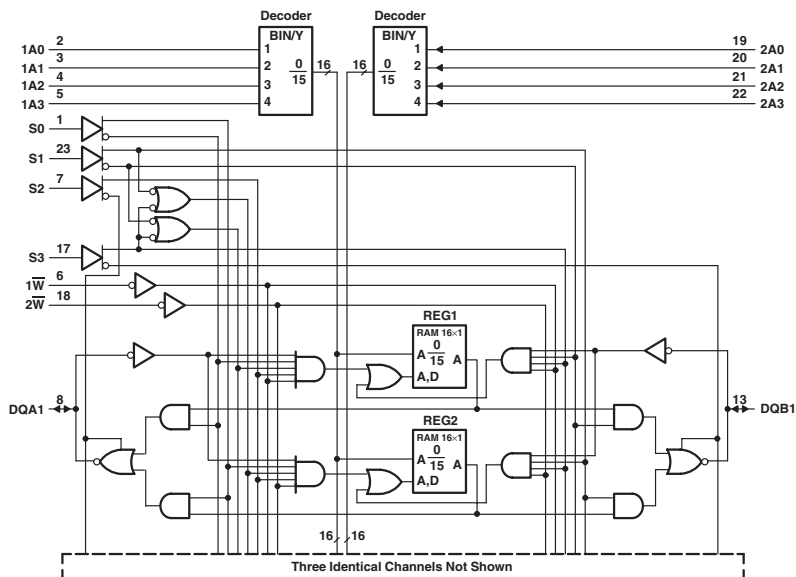
 UNIT f<sub>max</sub> : MHz other : ns



## DUAL 16-BY 4-BIT REGISTER FILES

- 3-State Buffer-Type Outputs Drive Bus Lines Directly
- Each Register File Has Individual Write-Enable Controls and Address Lines

Logic Diagram



**FUNCTION TABLE**

FILE SELECT			INPUT/OUTPUT		
S0	S1	FILE SEL	S2	S3	I/O SEL
L	L	1R to A, 1R to B	L	L	A out B A out, B out
H	L	2R to A, 1R to B			
L	H	1R to A, 2R to B			
H	H	2R to A, 2R to B			
L	L	A to 1R, 1R to B	H	L	A in B A in, B out
H	L	A to 2R, 1R to B			
L	H	A to 1R, 2R to B			
H	H	A to 2R, 2R to B			
L	L	1R to A, B to 1R	L	H	A out B A out, B in
H	L	2R to A, B to 1R			
L	H	1R to A, B to 2R			
H	H	2R to A, B to 2R			
L	L	B to 1R	H	H	A in Bin A in, B
H	L	A to 2R, B to 1R			
L	H	A to 1R, B to 2R			
H	H	B to 2R			

**ELECTRICAL CHARACTERISTICS AND RECOMMENDED OPERATING CONDITIONS**

PARAMETER	MAX or MIN	ALS	AS	UNIT
I <sub>CC</sub>	MAX	110	190	mA
I <sub>OL</sub>	MAX	24	48	mA
I <sub>OH</sub>	MAX	-2.6	-15	mA

**TIMING REQUIREMENTS AND SWITCHING CHARACTERISTICS**

PARAMETER	INPUT	OUTPUT	MAX or MIN	ALS	AS
t <sub>w</sub>	write		MIN	12	12
t <sub>su</sub>	Address before write ↓		MIN	5	5
	Data before write ↑			15	15
	Select before write ↓			12	12
t <sub>h</sub>	Address before write ↓		MIN	0	0
	Data before write ↑			0	0
	Select before write ↓			12	12
t <sub>a(A)</sub>	Any A	Any DQ	MAX	19	15
t <sub>a(S)</sub>	S0	Any DQA	MAX	15	13
	S1	Any DQB		15	13
t <sub>dis</sub>	S2	Any DQA	MAX	14	11
	S3	Any DQB		14	11
t <sub>en</sub>	S2	Any DQA	MAX	17	12
	S3	Any DQB		17	12
t <sub>pd</sub>	W	Any DQ	MAX	23	19
	DA	DQB		26	22
	DQB	DQA		26	22
	DQB	DQA		26	22

UNIT: ns

## DUAL 4-BIT D-TYPE LATCHES WITH 3-STATE OUTPUTS

- 3-State Buffer-Type Outputs Drive Bus Lines Directly
- Bus-Structured Pinout
- Asynchronous Clear

FUNCTION TABLE

OE	INPUTS			D	OUTPUT
	CLR	ENABLE LE			
L	L	X	X	X	L
L	H	H	H	L	L
L	H	L	X	X	Q <sub>0</sub>
H	X	X	X	X	Z

ELECTRICAL CHARACTERISTICS AND RECOMMENDED OPERATING CONDITION

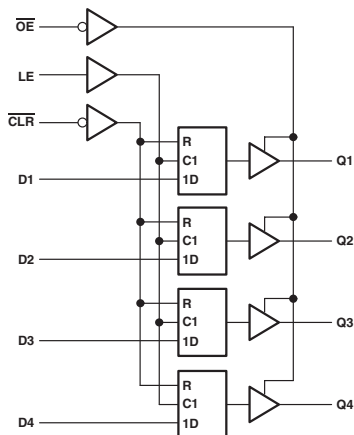
PARAMETER	MAX or MIN	ALS	AS	UNIT
I <sub>CC</sub>	MAX	31	129	mA
I <sub>OH</sub>	MAX	-2.6	-15	mA
I <sub>OL</sub>	MAX	24	48	mA

TIMING REQUIREMENTS AND SWITCHING CHARACTERISTICS

PARAMETER	INPUT	OUTPUT	MAX or MIN	ALS	AS
t <sub>w</sub>	CLR low	Q	MIN	15	5
	LE high			10	5
				10	2
t <sub>su</sub>				7	4.5
t <sub>h</sub>					
t <sub>PLH</sub>	D	Q	MAX	14	9.5
t <sub>PHL</sub>				14	7.5
t <sub>PLH</sub>	LE	Q	MAX	22	13
t <sub>PHL</sub>				21	7.5
t <sub>PHL</sub>	CLR	Q	MAX	20	9
t <sub>PZH</sub>	OE	Q	MAX	18	6.5
t <sub>PZL</sub>				18	10.5
t <sub>PHZ</sub>	OE	Q	MAX	10	7.5
t <sub>PLZ</sub>				15	7.5

UNIT: ns

Logic Diagram



## DUAL 4-BIT D-TYPE EDGE-TRIGGERED FLIP-FLOPS WITH 3-STATE OUTPUTS

- 3-State Buffer-Type Outputs Drive Bus Lines Directly
- Bus-Structured Pinout
- Asynchronous Clear

FUNCTION TABLE

INPUTS					OUTPUTS
OE	CLR	CLK	D	Q	
L	L	X	X	L	H
L	H	↑	H	L	H
L	H	↑	L	L	L
L	H	L	X	X	Q <sub>0</sub>
H	X	X	X	X	Z

ELECTRICAL CHARACTERISTICS AND RECOMMENDED OPERATING CONDITION

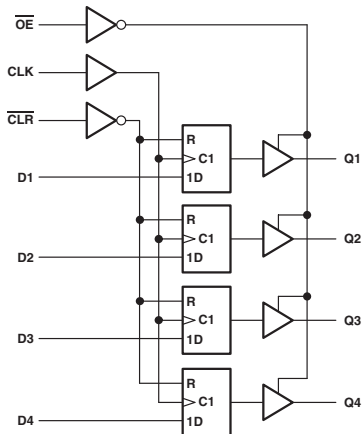
PARAMETER	MAX or MIN	ALS	AS	UNIT
I <sub>CC</sub>	MAX	32	160	mA
I <sub>OH</sub>	MAX	-2.6	-15	mA
I <sub>OL</sub>	MAX	24	48	mA

TIMING REQUIREMENTS AND SWITCHING CHARACTERISTICS

PARAMETER	INPUT	OUTPUT	MAX or MIN	ALS	AS
f <sub>max</sub>			MIN	30	125
t <sub>w</sub>	PRE or CLR low		MIN	10	2
	CLK "H"			16.5	3
	CLK "L"			16.5	4
t <sub>su</sub>	Data		MIN	15	2
	PRE or CLR inactive			10	4
				0	1
t <sub>PHL</sub>	CLK	Q	MAX	14	8.5
t <sub>PHL</sub>				14	10.5
t <sub>PHL</sub>	CLR	Q	MAX	17	9.5
t <sub>PZH</sub>	OE	Q	MAX	18	7
t <sub>PZL</sub>				18	10.5
t <sub>PHZ</sub>	OE	Q	MAX	10	6
t <sub>PZL</sub>				12	7.5

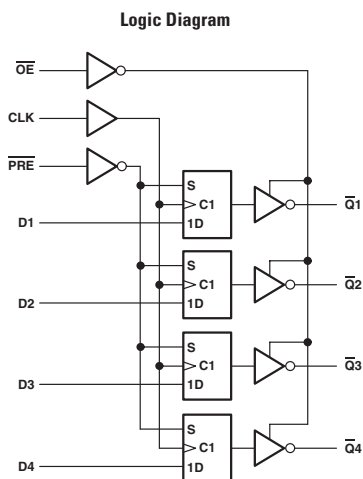
UNIT f<sub>max</sub> : MHz other : ns

Logic Diagram



## DUAL 4-BIT D-TYPE EDGE-TRIGGERED FLIP-FLOPS WITH 3-STATE OUTPUTS

- 3-State Buffer-Type Outputs Drive Bus Lines Directly
- Bus-Structured Pinout
- Asynchronous Clear



**FUNCTION TABLE**  
(each flip-flop)

INPUTS				OUTPUT
OE	PRE	CLK	D	Q
L	L	X	X	L
L	H	T	H	L
L	H	T	L	H
L	H	L	X	$\bar{Q}_0$
H	X	X	X	Z

**ELECTRICAL CHARACTERISTICS AND RECOMMENDED OPERATING CONDITIONS**

PARAMETER	MAX or MIN	ALS	AS	UNIT
I <sub>CC</sub>	MAX	31	160	mA
I <sub>OH</sub>	MAX	-2.6	-15	mA
I <sub>OL</sub>	MAX	24	48	mA

**TIMING REQUIREMENTS AND SWITCHING CHARACTERISTICS**

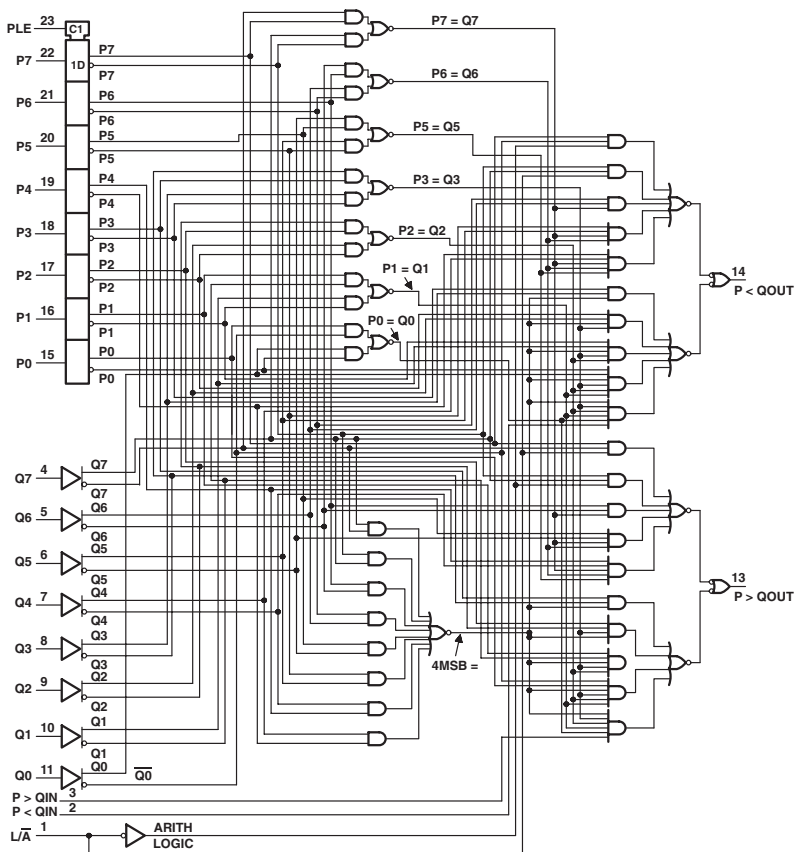
PARAMETER		INPUT	OUTPUT	MAX or MIN	ALS	AS
f <sub>max</sub>				MIN	30	80
t <sub>w</sub>	PRE "L"			MIN	10	4.5
	CLK "H"				16.5	6.2
	CLK "L"				16.5	6.2
t <sub>su</sub>	Data			MIN	15	4.5
	PRE inactive				10	5
t <sub>h</sub>				MIN	0	2
t <sub>PLH</sub>		CLK	$\bar{Q}$	MAX	14	8.5
t <sub>PHL</sub>					14	10.5
t <sub>PHL</sub>		$\overline{\text{PRE}}$	$\bar{Q}$	MAX	19	9.5
t <sub>PZH</sub>		$\overline{\text{OE}}$	$\bar{Q}$	MAX	18	7
t <sub>PZL</sub>					18	11
t <sub>PHZ</sub>		$\overline{\text{OE}}$	$\bar{Q}$	MAX	10	7
t <sub>PLZ</sub>					13	7

UNIT f<sub>max</sub> : MHz, other : ns

## 8-BIT MAGNITUDE COMPARATORS

- SN54AS885 Latchable P-Input Ports with Power-Up Clear
- Choice of Logical or Arithmetic (Two's Complement) Comparison
- Data and PLE Inputs Utilize pnp Input Transistors to Reduce dc Loading Effects
- Cascadable to n Bits While Maintaining High Performance

Logic Diagram



FUNCTION TABLE

COMPARISON	INPUTS				OUTPUTS	
	L/A	DATA P0-P7, Q0-Q7	P > QIN	P < QIN	P > QOUT	P < QOUT
Logical	H	P > Q	X	X	H	L
Logical	H	P < Q	X	X	L	H
Logical†	H	P = Q	H or L	H or L	H or L	H or L
Arithmetic	L	P AG Q	X	X	H	L
Arithmetic	L	Q AG P	X	X	L	H
Arithmetic†	L	P = Q	H or L	H or L	H or L	H or L

† In these cases, P > QOUT follows P > QIN and P < QOUT follows P < QIN.  
AG = arithmetically greater than

## ELECTRICAL CHARACTERISTICS AND RECOMMENDED OPERATING CONDITIONS

PARAMETER	MAX or MIN	AS	UNIT
I <sub>CC</sub>	MAX	210	mA
I <sub>OH</sub>	MAX	-2	mA
I <sub>OL</sub>	MAX	20	mA

## TIMING REQUIREMENTS AND SWITCHING CHARACTERISTICS

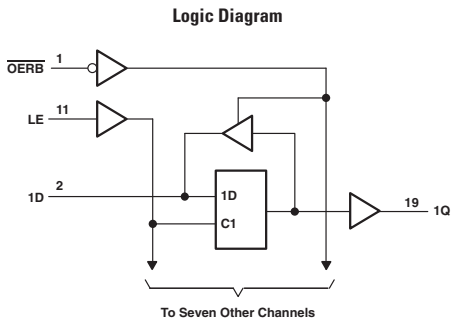
PARAMETER	INPUT	OUTPUT	MAX or MIN	AS
t <sub>su</sub>	Data before PLE ↓		MIN	2
t <sub>h</sub>	Data after PLE ↓			4
t <sub>PLH</sub>	L / $\bar{A}$	P < QOUT, P > QOUT	MAX	13
t <sub>PHL</sub>				13
t <sub>PLH</sub>	P < QIN, P > QIN	P < QOUT, P > QOUT	MAX	8
t <sub>PHL</sub>				8
t <sub>PLH</sub>	Any P or Q data input	P < QOUT, P > QOUT	MAX	17.5
t <sub>PHL</sub>				15

UNIT: ns



## 8-BIT D-TYPE TRANSPARENT READ-BACK LATCH

- 3-State I/O-Type Read-Back Inputs
- True Logic Outputs
- Bus-Structured Pinout



## ELECTRICAL CHARACTERISTICS AND RECOMMENDED OPERATING CONDITIONS

PARAMETER		MAX or MIN	ALS	UNIT
I <sub>CC</sub>		MAX	70	mA
I <sub>OH</sub>	Q	MAX	-2.6	mA
	D		-0.4	mA
I <sub>OL</sub>	Q	MAX	24	mA
	D		8	mA

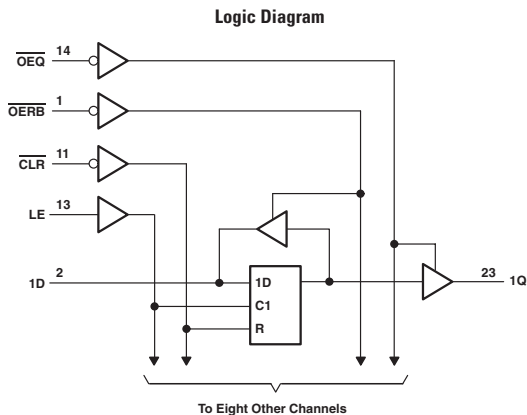
## TIMING REQUIREMENTS AND SWITCHING CHARACTERISTICS

PARAMETER	INPUT	OUTPUT	MAX or MIN	ALS
t <sub>w</sub>	LE high		MIN	10
t <sub>su</sub>	Data before LE ↓		MIN	10
	Data before OERB			10
t <sub>h</sub>	Data after LE ↓		MIN	5
t <sub>PLH</sub>	D	Q	MAX	17
				24
t <sub>PHL</sub>	LE	Q	MAX	26
				26
t <sub>ten</sub>	OERB	D	MAX	21
				19

UNIT: ns

## 9-BIT D-TYPE TRANSPARENT READ-BACK LATCH WITH 3-STATE OUTPUTS

- 3-State I/O-Type Read-Back Inputs
- True Logic Outputs
- Bus-Structured Pinout
- Designed with Nine Bits for Parity Applications



## ELECTRICAL CHARACTERISTICS AND RECOMMENDED OPERATING CONDITIONS

PARAMETER		MAX or MIN	ALS	UNIT
I <sub>CC</sub>		MAX	80	mA
I <sub>OH</sub>	Q	MAX	-2.6	mA
	D		-0.4	mA
I <sub>OL</sub>	Q	MAX	24	mA
	D		8	mA

## TIMING REQUIREMENTS AND SWITCHING CHARACTERISTICS

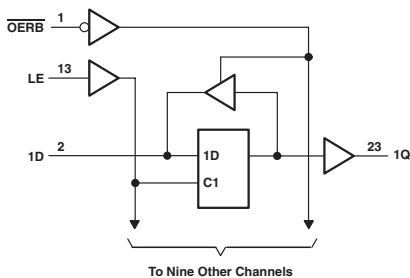
PARAMETER	INPUT	OUTPUT	MAX or MIN	ALS
t <sub>w</sub>	C "H"		MIN	10
	CLR "L"			10
t <sub>su</sub>	Data before LE ↓		MIN	10
	Data before OERB ↓			10
t <sub>h</sub>	Data after LE ↓		MIN	5
t <sub>PLH</sub>	D	Q	MAX	14
t <sub>PHL</sub>				16
t <sub>PLH</sub>	LE	Q	MAX	20
t <sub>PHL</sub>				25
t <sub>PHL</sub>	CLR	Q	MAX	20
		D		26
t <sub>en</sub>	OERB	D	MAX	21
t <sub>dis</sub>				14
t <sub>en</sub>	OEQ	Q	MAX	18
				t <sub>dis</sub>

UNIT:ns

## 10-BIT D-TYPE TRANSPARENT READ-BACK LATCH

- 3-State I/O-Type Read-Back Inputs
- True Logic Outputs
- Bus-Structured Pinout

Logic Diagram



## ELECTRICAL CHARACTERISTICS AND RECOMMENDED OPERATING CONDITIONS

PARAMETER		MAX or MIN	ALS	UNIT
I <sub>CC</sub>		MAX	82	mA
I <sub>OH</sub>	Q	MAX	-2.6	mA
	D		-0.4	mA
I <sub>OL</sub>	Q	MAX	24	mA
	D		8	mA

## TIMING REQUIREMENTS AND SWITCHING CHARACTERISTICS

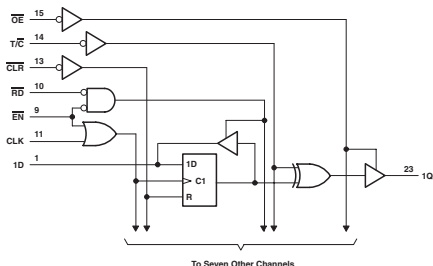
PARAMETER	INPUT	OUTPUT	MAX or MIN	ALS
t <sub>w</sub>	C "H"		MIN	10
t <sub>su</sub>	Data before LE ↓		MIN	10
	Data before OERB ↓			10
t <sub>h</sub>	Data after LE ↓		MIN	5
t <sub>PLH</sub>	D	Q	MAX	14
t <sub>PHL</sub>				18
t <sub>PLH</sub>	LE	Q	MAX	21
t <sub>PHL</sub>				27
t <sub>en</sub>	OERB	D	MAX	21
t <sub>dis</sub>				16

UNIT:ns

## 8-BIT D-TYPE EDGE-TRIGGERED READ-BACK LATCHES

- 3-State I/O-Type Read-Back Inputs
- True Logic Outputs
- T/C Determines True or Complementary Data at Q Outputs

Logic Diagram



### ELECTRICAL CHARACTERISTICS AND RECOMMENDED OPERATING CONDITIONS

PARAMETER		MAX or MIN	ALS	ALS-1	UNIT
I <sub>CC</sub>		MAX	85	85	mA
I <sub>OL</sub>	Q	MAX	24	48	mA
	D		8	8	mA
I <sub>OH</sub>	Q	MAX	-2.6	-2.6	mA
	D		-0.4	-0.4	mA

### TIMING REQUIREMENTS AND SWITCHING CHARACTERISTICS

PARAMETER	INPUT	OUTPUT	MAX or MIN	ALS	ALS-1
t <sub>w</sub>	CLR low	MIN		10	10
	CLK low			14.5	14.5
	CLK high			14.5	14.5
t <sub>su</sub>	Data before CLK ↑	MIN		15	15
	EN low before CLK ↑			10	10
	CLK high before EN ↑ *1			15	15
	CLR high (inactive) before CLK ↑			10	10
t <sub>h</sub>	Data after CLK ↑	MIN		0	0
	EN low after CLK ↑			5	5
	RD high after CLK ↑ *2			5	5
t <sub>PLH</sub>	CLK (T/C = H or L)	Q	MAX	28	28
t <sub>PHL</sub>				28	28
t <sub>PLH</sub>	CLR (T/C = L)	Q	MAX	27	27
t <sub>PHL</sub>				23	23
t <sub>PLH</sub>	T/C	Q	MAX	23	23
t <sub>PHL</sub>				23	23
t <sub>PHL</sub>	CLR	D	MAX	30	30
t <sub>su</sub> *3	RD	D	MAX	16	16
t <sub>su</sub> *4				19	19
t <sub>su</sub> *3	EN	D	MAX	16	16
t <sub>su</sub> *4				19	19
t <sub>su</sub> *3	OE	Q	MAX	15	15
t <sub>su</sub> *4				10	10

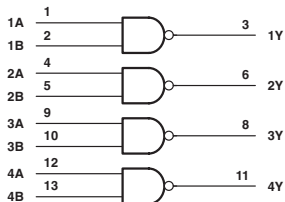
UNIT: ns

## 1000

### QUADRUPLE 2-INPUT POSITIVE-NAND BUFFERS/DRIVERS

- Buffer Version of SN74ALS00A
- Driver Version of SN74AS00
- High Capacitive-Drive Capability

Logic Diagram



FUNCTION TABLE

INPUTS		OUTPUT
A	B	Y
H	H	L
L	X	H
X	L	H

ELECTRICAL CHARACTERISTICS AND RECOMMENDED OPERATING CONDITIONS

PARAMETER	MAX or MIN	ALS	AS	UNIT
$I_{CC}$	MAX	7.8	19	mA
$I_{OH}$	MAX	-2.6	-48	mA
$I_{OL}$	MAX	24	48	mA

SWITCHING CHARACTERISTICS

PARAMETER	INPUT	OUTPUT	MAX or MIN	ALS	AS
$t_{PLH}$	A or B	Y	MAX	8	4
$t_{PHL}$				7	4

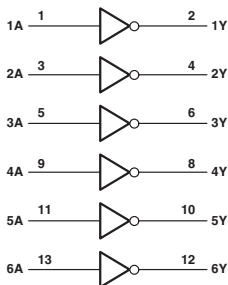
UNIT: ns

## 1004

### HEX INVERTING DRIVERS

- Driver Version of SN74ALS04B and SN74AS04
- High Capacitive-Drive Capability

Logic Diagram



FUNCTION TABLE

INPUT	OUTPUT
A	Y
H	L
L	H

ELECTRICAL CHARACTERISTICS AND RECOMMENDED OPERATING CONDITIONS

PARAMETER	MAX or MIN	ALS	AS	UNIT
$I_{CC}$	MAX	12	27	mA
$I_{OH}$	MAX	-15	-48	mA
$I_{OL}$	MAX	24	48	mA

SWITCHING CHARACTERISTICS

PARAMETER	INPUT	OUTPUT	MAX or MIN	ALS	AS
$t_{PLH}$	A or B	Y	MAX	7	4
$t_{PHL}$				6	4

UNIT: ns

## 1005

### HEX INVERTING BUFFERS WITH OPEN-COLLECTOR OUTPUTS

- Buffer Version of SN74ALS05A

FUNCTION TABLE

INPUT A	OUTPUT Y
H	L
L	H

ELECTRICAL CHARACTERISTICS AND RECOMMENDED OPERATING CONDITIONS

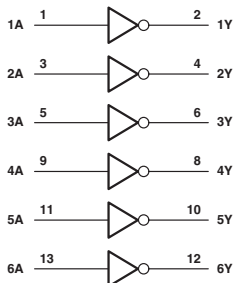
PARAMETER	MAX or MIN	ALS	UNIT
I <sub>CC</sub>	MAX	12	mA
V <sub>OH</sub>	MAX	5.5	V
I <sub>OL</sub>	MAX	24	mA

SWITCHING CHARACTERISTICS

PARAMETER	INPUT	OUTPUT	MAX or MIN	ALS
t <sub>PLH</sub>	A	Y	MAX	30
t <sub>PHL</sub>				10

UNIT: ns

Logic Diagram



## 1008

### QUADRUPLE 2-INPUT POSITIVE-AND BUFFER/DRIVER

- Buffer Version of SN74ALS08
- Driver Version of SN74AS08

FUNCTION TABLE

INPUTS		OUTPUT Y
A	B	
H	H	H
L	X	L
X	L	L

ELECTRICAL CHARACTERISTICS AND RECOMMENDED OPERATING CONDITIONS

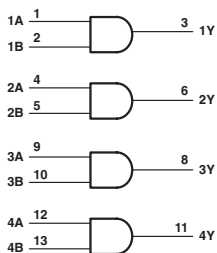
PARAMETER	MAX or MIN	ALS	AS	UNIT
I <sub>CC</sub>	MAX	9.3	22	mA
I <sub>OH</sub>	MAX	-2.6	-48	mA
I <sub>OL</sub>	MAX	24	48	mA

SWITCHING CHARACTERISTICS

PARAMETER	INPUT	OUTPUT	MAX or MIN	ALS	AS
t <sub>PLH</sub>	A or B	Y	MAX	9	6
t <sub>PHL</sub>				9	6

UNIT: ns

Logic Diagram

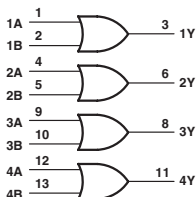


## 1032

### QUADRUPLE 2-INPUT POSITIVE-OR BUFFERS/DRIVERS

- $Y = A + B$
- Driver Version of SN74AS32
- High Capacitive-Drive Capability

Logic Diagram



FUNCTION TABLE  
(each gate)

INPUTS		OUTPUT
A	B	Y
H	X	H
X	H	H
L	L	L

ELECTRICAL CHARACTERISTICS AND RECOMMENDED OPERATING CONDITIONS

PARAMETER	MAX or MIN	ALS	AS	UNIT
$I_{CC}$	MAX	10.6	24	mA
$I_{OH}$	MAX	-2.6	-48	mA
$I_{OL}$	MAX	24	48	mA

SWITCHING CHARACTERISTICS

PARAMETER	INPUT	OUTPUT	MAX or MIN	ALS	AS
$t_{PLH}$	A or B	Y	MAX	9	6.3
$t_{PHL}$	A or B	Y	MAX	12	6.3

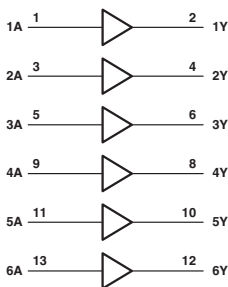
UNIT: ns

## 1034

### HEX DRIVERS

- SN74AS1034A Offer High Capacitive-Drive Capability
- Noninverting Drivers

Logic Diagram



FUNCTION TABLE

INPUT	OUTPUT
A	Y
H	L
L	H

ELECTRICAL CHARACTERISTICS AND RECOMMENDED OPERATING CONDITION

PARAMETER	MAX or MIN	ALS	AS	UNIT
$I_{CC}$	MAX	14	35	mA
$I_{OH}$	MAX	-15	-48	mA
$I_{OL}$	MAX	24	48	mA

SWITCHING CHARACTERISTICS

PARAMETER	INPUT	OUTPUT	MAX or MIN	ALS	AS
$t_{PLH}$	A	Y	MAX	8	6
$t_{PHL}$				8	6

UNIT: ns

## 1035

### HEX NONINVERTING BUFFERS WITH OPEN-COLLECTOR OUTPUTS

- Noninverting Buffers with Open-Collector Outputs

FUNCTION TABLE

INPUT A	OUTPUT Y
H	H
L	L

ELECTRICAL CHARACTERISTICS AND RECOMMENDED OPERATING CONDITIONS

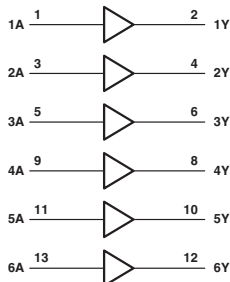
PARAMETER	MAX or MIN	ALS	UNIT
I <sub>CC</sub>	MAX	14	mA
V <sub>OH</sub>	MAX	5.5	V
I <sub>OL</sub>	MAX	24	mA

SWITCHING CHARACTERISTICS

PARAMETER	INPUT	OUTPUT	MAX or MIN	ALS
t <sub>PLH</sub>	A	Y	MAX	30
t <sub>PHL</sub>				12

UNIT: ns

Logic Diagram



## 1240

### OCTAL BUFFER AND LINE DRIVER WITH 3-STATE OUTPUTS

- Low-Power Versions of SN74ALS240A
- 3-State Outputs Drive Bus Lines or Buffer Memory Address Registers
- 3-State Outputs Drive Bus Lines or Buffer Memory Address Registers

ELECTRICAL CHARACTERISTICS AND RECOMMENDED OPERATING CONDITIONS

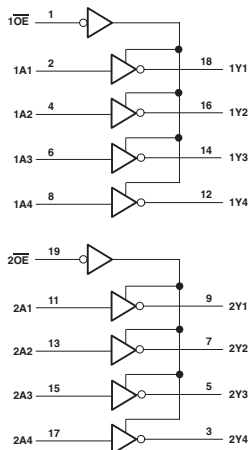
PARAMETER	MAX or MIN	ALS	UNIT
I <sub>CCZ</sub>	MAX	13	mA
I <sub>CCL</sub>	MAX	14	mA
I <sub>OH</sub>	MAX	-15	mA
I <sub>OL</sub>	MAX	16	mA

SWITCHING CHARACTERISTICS

PARAMETER	INPUT	OUTPUT	MAX or MIN	ALS
t <sub>PLH</sub>	A	Y	MAX	13
t <sub>PHL</sub>				13
t <sub>PZH</sub>	$\overline{OE}$	Y	MAX	20
t <sub>PZL</sub>				22
t <sub>PHZ</sub>	$\overline{OE}$	Y	MAX	10
t <sub>PLZ</sub>				13

UNIT: ns

Logic Diagram





## 1244

### OCTAL BUFFERS AND DRIVERS WITH 3-STATE OUTPUTS

- 3-State Outputs Drive Bus Lines or Buffer Memory Address Registers
- pnp Inputs Reduce dc Loading
- Low-Power Versions of SN74ALS244 Series

#### ELECTRICAL CHARACTERISTICS AND RECOMMENDED OPERATING CONDITIONS

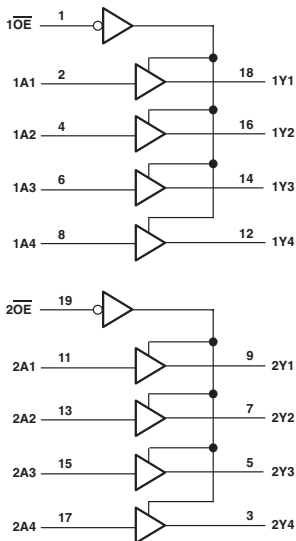
PARAMETER	MAX or MIN	ALS	UNIT
I <sub>CCZ</sub>	MAX	20	mA
I <sub>CCL</sub>	MAX	17	mA
I <sub>OH</sub>	MAX	-15	mA
I <sub>OL</sub>	MAX	16	mA

#### SWITCHING CHARACTERISTICS

PARAMETER	INPUT	OUTPUT	MAX or MIN	ALS
T <sub>PLH</sub>	A	Y	MAX	14
				14
T <sub>PHL</sub>	A	Y	MAX	22
T <sub>PZH</sub>				OE
T <sub>PZL</sub>	OE	Y	MAX	
T <sub>PHZ</sub>				OE
T <sub>PLZ</sub>	OE	Y	MAX	

UNIT: ns

#### Logic Diagram



## 1245

### OCTAL BUS TRANSCEIVERS WITH 3-STATE OUTPUTS

- Low-Power Versions of 4ALS245 Series

#### FUNCTION TABLE

CONTROL INPUTS		OPERATION
OE	DIR	
L	L	B data to A bus
L	H	A data to B bus
H	X	Isolation

#### ELECTRICAL CHARACTERISTICS AND RECOMMENDED OPERATING CONDITIONS

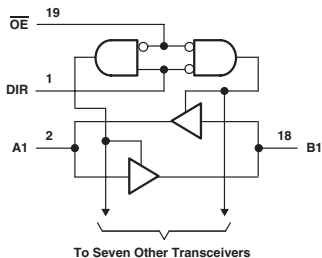
PARAMETER	MAX or MIN	ALS	UNIT
I <sub>CCZ</sub>	MAX	36	mA
I <sub>CCL</sub>	MAX	33	mA
I <sub>OH</sub>	MAX	-15	mA
I <sub>OL</sub>	MAX	16	mA

#### SWITCHING CHARACTERISTICS

PARAMETER	INPUT	OUTPUT	MAX or MIN	ALS
T <sub>PLH</sub>	A or B	B or A	MAX	13
				13
T <sub>PHL</sub>	OE	A or B	MAX	25
T <sub>PZH</sub>				OE
T <sub>PZL</sub>	OE	A or B	MAX	
T <sub>PHZ</sub>				OE
T <sub>PLZ</sub>	OE	A or B	MAX	

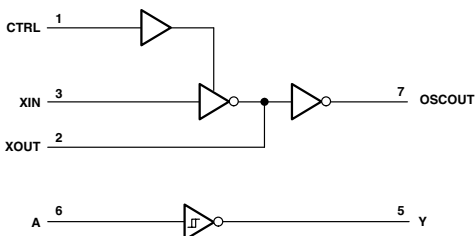
UNIT: ns

#### Logic Diagram



## OSCILLATOR DRIVER FOR CRYSTAL OSCILLATOR OR CERAMIC RESONATOR

Logic Diagram



FUNCTION TABLES

INPUTS		OUTPUTS	
CTRL	XIN	XOUT	OSCOUT
H	L	H	L
H	H	L	H
L	X	L	H

INPUT	OUTPUT
A	Y
L	H
H	L

ELECTRICAL CHARACTERISTICS AND RECOMMENDED OPERATING CONDITIONS

PARAMETER	MAX or MIN	LVC 1.8V	LVC 2.5V	LVC 3V	LVC 5V	UNIT
I <sub>CC</sub>	MAX	0.01	0.01	0.01	0.01	mA
I <sub>OH</sub> (OSCOUT, XOUT, Y outputs)	MAX	-4	-8	-24	-32	mA
I <sub>OL</sub> (OSCOUT, XOUT, Y outputs)	MAX	4	8	24	32	mA
I <sub>OL</sub> (XOUT)	MAX	2	-	-	-	mA

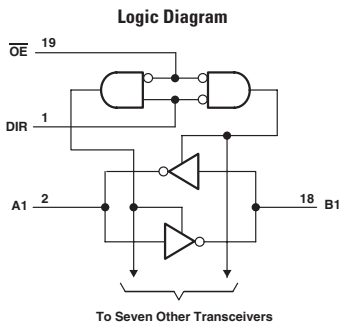
SWITCHING CHARACTERISTICS

PARAMETER	INPUT	OUTPUT	MAX or MIN	LVC 1.8V	LVC 2.5V	LVC 3V	LVC 5V
t <sub>PLH</sub>	A	Y	MAX	17.3	7.4	6.4	5.3
				17.3	7.4	6.4	5.3
t <sub>PHL</sub>	XIN	XOUT	MAX	15.8	5.8	5.4	4.6
				15.8	5.8	5.4	4.6
t <sub>PLH</sub>	XIN	OSCOUT	MAX	25.7	7.1	7.8	6.7
				25.7	7.1	7.8	6.7
t <sub>PHL</sub>	CTRL	XOUT	MAX	24.5	12	12.7	11.2
				24.5	12	12.7	11.2

UNIT: ns

## OCTAL BUS TRANSCEIVERS WITH 3-STATE OUTPUTS

- Lower-Power Versions of SN74ALS640B
- Inverting Logic
- 3-State Outputs



FUNCTION TABLE

CONTROL INPUTS		OPERATION
OE	DIR	
L	L	$\bar{B}$ data to A bus
L	H	$\bar{A}$ data to B bus
H	X	Isolation

## ELECTRICAL CHARACTERISTICS AND RECOMMENDED OPERATING CONDITIONS

PARAMETER	MAX or MIN	ALS	
		ALS	UNIT
$I_{CC}$	MAX	32	mA
$I_{OH}$	MAX	-15	mA
$I_{OL}$	MAX	16	mA

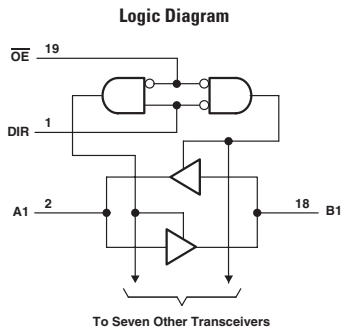
## SWITCHING CHARACTERISTICS

PARAMETER	INPUT	OUTPUT	MAX or MIN	ALS
				ALS
$t_{PLH}$	A or B	B or A	MAX	15
$t_{PHL}$				10
$t_{PZH}$	$\overline{OE}$	A or B	MAX	20
$t_{PZL}$				22
$t_{PHZ}$	$\overline{OE}$	A or B	MAX	10
$t_{PLZ}$				13

UNIT: ns

## OCTAL BUS TRANSCEIVERS WITH 3-STATE OUTPUTS

- Lower-Power Versions of SN74ALS645A
- 3-State Outputs



FUNCTION TABLE

CONTROL INPUTS		OPERATION
OE	DIR	
L	L	B data to A bus
L	H	A data to B bus
H	X	Isolation

ELECTRICAL CHARACTERISTICS AND RECOMMENDED OPERATING CONDITIONS

PARAMETER	MAX or MIN	ALS	UNIT
I <sub>CC</sub>	MAX	38	mA
I <sub>OH</sub>	MAX	-15	mA
I <sub>OL</sub>	MAX	16	mA

SWITCHING CHARACTERISTICS

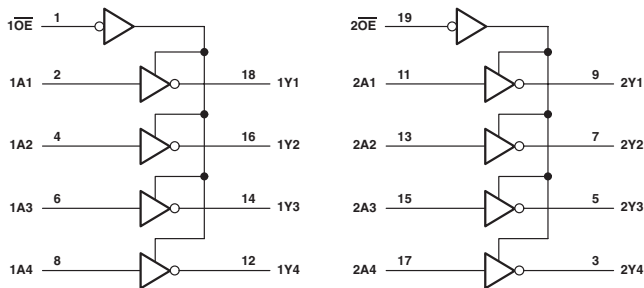
PARAMETER	INPUT	OUTPUT	MAX or MIN	ALS
t <sub>PLH</sub>	A or B	B or A	MAX	13
				13
t <sub>PZH</sub>	OE	A or B	MAX	25
				25
t <sub>PHZ</sub>	OE	A or B	MAX	12
				18

UNIT: ns

## OCTAL BUFFERS AND LINE/MOS DRIVERS WITH 3-STATE OUTPUTS

- I/O Ports Have 25-Ω Series Resistors, So No External Resistors Are Required (SN74ALS2240, SN74ABT2240A)
- Output Ports Have Equivalent 33-Ω Series Resistors, So No External Resistors Are Required (SN74BCT2240)

Logic Diagram



## ELECTRICAL CHARACTERISTICS AND RECOMMENDED OPERATING CONDITIONS

PARAMETER	MAX or MIN	ALS	SN74 BCT	ABT	UNIT
$I_{CCZ}$	MAX	20	8	0.25	mA
$I_{CCL}$	MAX	23	76	30	mA
$I_{OH}$	MAX	-15	-12	-32	mA
$I_{OL}$	MAX	15	12	12	mA

## SWITCHING CHARACTERISTICS

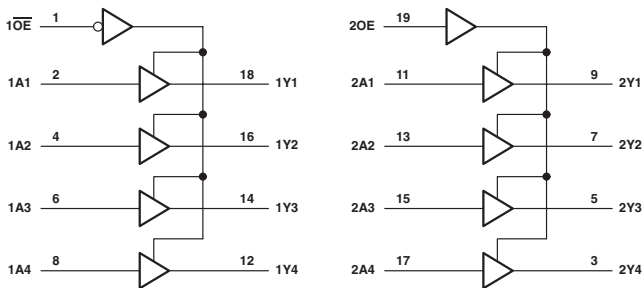
PARAMETER	INPUT	OUTPUT	MAX or MIN	ALS	SN74 BCT	ABT
$t_{PLH}$	A	Y	MAX	10	5.7	4.8
$t_{PHL}$				10	4.4	5.4
$t_{PZH}$	$\overline{OE}$	Y	MAX	17	9.3	5.2
$t_{PZL}$				20	12.4	6.8
$t_{PHZ}$	$\overline{OE}$	Y	MAX	10	8.7	6.4
$t_{PLZ}$				15	10.6	6.2

UNIT: ns

## OCTAL BUFFERS AND LINE/MOS DRIVERS WITH 3-STATE OUTPUTS

- Output Ports Have Equivalent 25-Ω Series Resistors, So No External Resistors Are Required (SN74ABT2241A)
- Output Ports Have Equivalent 33-Ω Series Resistors, So No External Resistors Are Required (SN74BCT2241)

Logic Diagram



## ELECTRICAL CHARACTERISTICS AND RECOMMENDED OPERATING CONDITIONS

PARAMETER	MAX or MIN	SN74 BCT	ABT	UNIT
I <sub>CCZ</sub>	MAX	9	0.25	mA
I <sub>CCL</sub>	MAX	76	30	mA
I <sub>OH</sub>	MAX	-12	-32	mA
I <sub>OL</sub>	MAX	12	12	mA

## SWITCHING CHARACTERISTICS

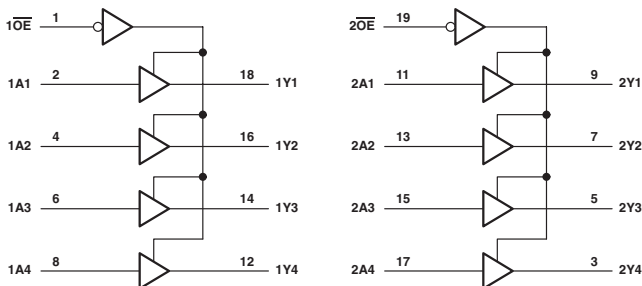
PARAMETER	INPUT	OUTPUT	MAX or MIN	SN74 BCT	ABT
t <sub>PLH</sub>	A	Y	MAX	4.9	4.7
t <sub>PHL</sub>				6.9	5.6
t <sub>PZH</sub>	$\overline{1OE}$	Y	MAX	8.9	5.8
t <sub>PZL</sub>				10.3	8.4
t <sub>PHZ</sub>	$\overline{1OE}$	Y	MAX	8.7	6.6
t <sub>PLZ</sub>				11.3	6.4
t <sub>PZH</sub>	2OE	Y	MAX	8.9	5.8
t <sub>PZL</sub>				10.3	8.4
t <sub>PHZ</sub>	2OE	Y	MAX	8.7	6.6
t <sub>PLZ</sub>				11.3	6.4

UNIT: ns

## OCTAL BUFFERS AND LINE/MOS DRIVERS WITH 3-STATE OUTPUTS

- Output Ports Have Equivalent 25-Ω Series Resistors, So No External Resistors Are Required (SN74ABT244A)
- Output Ports Have Equivalent 33-Ω Series Resistors, So No External Resistors Are Required (SN74BCT244)
- Output Ports Have Equivalent 26-Ω Series Resistors, So No External Resistors Are Required (SN74LVC244A)

Logic Diagram



FUNCTION TABLE

INPUTS		OUTPUT
OE	A	Y
H	X	Z
L	L	L
L	H	H

ELECTRICAL CHARACTERISTICS AND RECOMMENDED OPERATING CONDITIONS

PARAMETER	MAX or MIN	ALS	SN74 BCT	ABT	LVC 3V	UNIT
I <sub>CCZ</sub>	MAX	23	10	0.25	0.01	mA
I <sub>CCL</sub>	MAX	22	77	30	0.01	mA
I <sub>OH</sub>	MAX	-15	-12	-32	-12	mA
I <sub>OL</sub>	MAX	15	12	12	12	mA

SWITCHING CHARACTERISTICS

PARAMETER	INPUT	OUTPUT	MAX or MIN	ALS	SN74 BCT	ABT	LVC 3V
t <sub>PLH</sub>	A	Y	MAX	16	4.9	4.7	5.5
t <sub>PHL</sub>				17	6.7	5.6	5.5
t <sub>PZH</sub>	OE	Y	MAX	17	8.7	5.5	7.1
t <sub>PZL</sub>				14	10.4	8.3	7.1
t <sub>PHZ</sub>	OE	Y	MAX	9	7.8	6.6	6.8
t <sub>PLZ</sub>				9	9.8	5.8	6.8

UNIT: ns

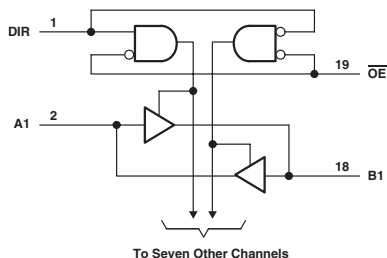
## OCTAL TRANSCEIVER AND LINE/MOS DRIVERS WITH 3-STATE OUTPUTS

- B Port Has Equivalent 33- $\Omega$  Series Resistors, So No External Resistors Are Required (SN74BCT2245)
- B-Port Outputs Have Equivalent 25- $\Omega$  Series Resistors, So No External Resistors Are Required (SN74ABT2245)
- Outputs Have Equivalent 25- $\Omega$  Series Resistors, So No External Resistors Are Required (SN74ABTR2245)
- All Outputs Have Equivalent 26- $\Omega$  Series Resistors, So No External Resistors Are Required (SN74LVCR2245)
- B-Port Outputs Have Equivalent 22- $\Omega$  Series Resistors, So No External Resistors Are Required (SN74LVTH2245)

FUNCTION TABLE

INPUTS		OPERATION
$\overline{OE}$	DIR	
L	L	B data to A bus
L	H	A data to B bus
H	X	Isolation

Logic Diagram



ELECTRICAL CHARACTERISTICS AND RECOMMENDED OPERATING CONDITIONS

PARAMETER	MAX or MIN	SN74 BCT	ABT	ABTR	LVTH 3V	LVCR 3V	UNIT
$I_{CCZ}$	MAX	15	0.25	0.25	0.19	0.01	mA
$I_{CCL}$	MAX	100	32	32	5	0.01	mA
$I_{OH}$ (A port)	MAX	-3	-32	-12	-32	-12	mA
$I_{OH}$ (B port)	MAX	-12	-12	-12	-12	-12	mA
$I_{OL}$ (A port)	MAX	24	64	12	64	12	mA
$I_{OL}$ (B port)	MAX	12	12	12	12	12	mA

SWITCHING CHARACTERISTICS

PARAMETER	INPUT	OUTPUT	MAX or MIN	SN74 BCT	ABT	ABTR	LVTH 3V	LVCR 3V
$t_{PLH}$	A	B	MAX	5.8	3.8	3.8	4.4	6.3
$t_{PHL}$				7.8	4.5	4.5	4.4	6.3
$t_{PLH}$	B	A	MAX	7	3.6	3.8	3.5	6.3
$t_{PHL}$				7.7	4	4.5	3.5	6.3
$t_{PZH}$	$\overline{OE}$	B	MAX	9.9	6.1	6.1	6.2	8.2
$t_{PZL}$				12.2	6.3	6.3	6.2	8.2
$t_{PHZ}$	$\overline{OE}$	B	MAX	8.2	5.3	5.3	5.9	7.8
$t_{PLZ}$				9.2	4.8	4.8	5.4	7.8
$t_{PZH}$	$\overline{OE}$	A	MAX	11.1	5.5	6.1	5.5	8.2
$t_{PZL}$				11.4	5.7	6.3	5.5	8.2
$t_{PHZ}$	$\overline{OE}$	A	MAX	9.4	5.6	5.3	5.9	7.8
$t_{PLZ}$				7.6	4.5	4.8	5	7.8

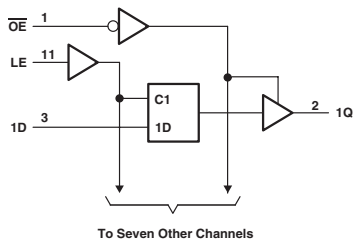
UNIT: ns



## 25-Ω OCTAL TRANSPARENT D-TYPE LATCH WITH 3-STATE OUTPUTS

- 3-State True Outputs with 25-Ω Sink Resistors
- Full Parallel Access for Loading
- Buffered Control Inputs

Logic Diagram



FUNCTION TABLE

(each latch)

INPUTS			OUTPUT
OE	LE	D	Q
L	H	H	H
L	H	L	L
L	L	X	Q <sub>0</sub>
H	X	X	Z

## ELECTRICAL CHARACTERISTICS AND RECOMMENDED OPERATING CONDITIONS

PARAMETER	MAX or MIN	F	UNIT
I <sub>CC</sub>	MAX	66	mA
I <sub>OH</sub>	MAX	-3	mA
I <sub>OL</sub>	MAX	12	mA

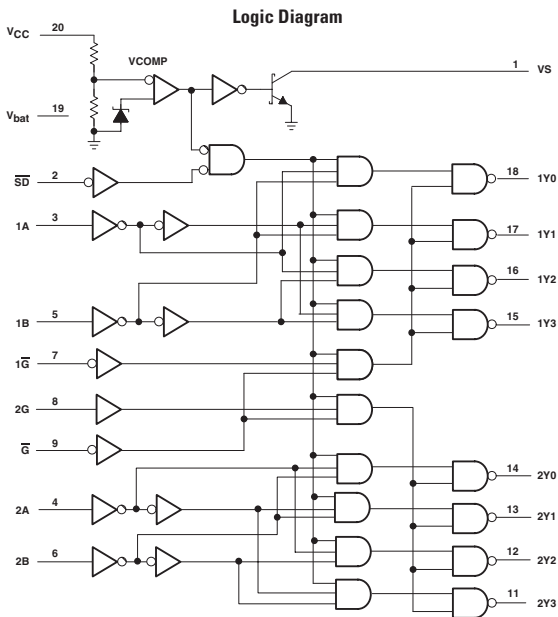
## TIMING REQUIREMENTS AND SWITCHING CHARACTERISTICS

PARAMETER	INPUT	OUTPUT	MAX or MIN	F
t <sub>w</sub>	LE high		MIN	6
t <sub>su</sub>	Data before LE ↓		MIN	2
t <sub>h</sub>	Data after LE ↓		MIN	6
t <sub>PLH</sub>	D	Q	MAX	9
t <sub>PHL</sub>				7
t <sub>PLH</sub>	LE	Q	MAX	13
t <sub>PHL</sub>				8
t <sub>PZH</sub>	OE	Q	MAX	12
t <sub>PZL</sub>				9.5
t <sub>PHZ</sub>	OE	Q	MAX	7.5
t <sub>PLZ</sub>				6

UNIT:ns

## MEMORY DECODER WITH ON-CHIP SUPPLY VOLTAGE MONITOR

- Built-In Supply-Voltage Monitor for  $V_{CC}$
- Separate Enable Inputs for Easy Cascading



FUNCTION TABLE

INPUTS				OUTPUTS			
CONTROL	SELECT			1Y0	1Y1	1Y2	1Y3
$\bar{G}$	1 $\bar{G}$	SD	1B 1A				
H	X	X	X X	H	H	H	H
X	H	X	X X	H	H	H	H
X	X	L	X X	H	H	H	H
L	L	H	L L	L	H	H	H
L	L	H	L H	H	L	H	H
L	L	H	H L	H	H	L	H
L	L	H	H H	H	H	H	L

INPUTS				OUTPUTS			
CONTROL	SELECT			2Y0	2Y1	2Y2	2Y3
$\bar{G}$	2 $\bar{G}$	SD	2B 2A				
H	X	X	X X	H	H	H	H
X	H	X	X X	H	H	H	H
X	X	L	X X	H	H	H	H
L	H	H	L L	L	H	H	H
L	H	H	L H	H	L	H	H
L	H	H	H L	H	H	L	H
L	H	H	H H	H	H	H	L

ELECTRICAL CHARACTERISTICS AND RECOMMENDED OPERATING CONDITIONS

PARAMETER	MAX or MIN	SN74 BCT	UNIT
$I_{CC}$	MAX	3	mA
$I_{bat}$ (Output low)	MAX	3	mA
$I_{OH}$	MAX	-0.4	mA
$I_{OL}$ (Y Output)	MAX	8	mA
$I_{OL}$ (I/S Output)	MAX	20	mA

SWITCHING CHARACTERISTICS

PARAMETER	INPUT	OUTPUT	MAX or MIN	SN74 BCT
$t_{PLH}$	A or B	Any Y	MAX	12
$t_{PHL}$				12
$t_{PLH}$	Any $\bar{G}$	Any Y	MAX	10
$t_{PHL}$				11
$t_{PLH}$	$\bar{SD}$	Any Y	MAX	12
$t_{PHL}$				12
$t_{PLH}$	$V_{CC}$	Any Y	MAX	250
$t_{PHL}$				250
$t_{PLH}$	$V_{CC}$	VS	MAX	250
$t_{PHL}$				250

## 2541

### OCTAL LINE DRIVER/MOS DRIVER WITH 3-STATE OUTPUTS

- Outputs Have 25-Ω Series Resistor So No External Resistors Are Required

#### ELECTRICAL CHARACTERISTICS AND RECOMMENDED OPERATING CONDITIONS

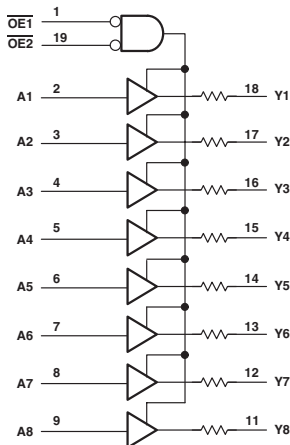
PARAMETER	MAX or MIN	ALS	UNIT
I <sub>CCZ</sub>	MAX	22	mA
I <sub>CCL</sub>	MAX	25	mA
I <sub>OH</sub>	MAX	-0.4	mA
I <sub>OL</sub>	MAX	12	mA

#### SWITCHING CHARACTERISTICS

PARAMETER	INPUT	OUTPUT	MAX or MIN	ALS
t <sub>PLH</sub>	A	Y	MAX	15
				12
t <sub>PHL</sub>	A	Y	MAX	15
				20
t <sub>PHZ</sub>	OE	Y	MAX	10
				12
t <sub>PLZ</sub>	OE	Y	MAX	10
				12

UNIT: ns

#### Logic Diagram



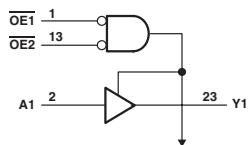
All output resistors are 25 Ω.

## 2827

### 10-BIT BUFFERS/DRIVERS WITH 3-STATE OUTPUTS

- Output Ports Have Equivalent 25-Ω Series Resistors, So No External Resistors Are Required (SN74ABT2827)
- Output Ports Have Equivalent 25-Ω Resistors; No External Resistors Are Required (SN74BCT2827C)

#### Logic Diagram



To Nine Other Channels

#### ELECTRICAL CHARACTERISTICS AND RECOMMENDED OPERATING CONDITIONS

PARAMETER	MAX or MIN	SN74 BCT	ABT	UNIT
I <sub>CCZ</sub>	MAX	6	0.25	mA
I <sub>CCL</sub>	MAX	40	40	mA
I <sub>OH</sub>	MAX	-1	-12	mA
I <sub>OL</sub>	MAX	12	12	mA

#### SWITCHING CHARACTERISTICS

PARAMETER	INPUT	OUTPUT	MAX or MIN	SN74 BCT	ABT
t <sub>PLH</sub>	A	Y	MAX	6	5.5
				7.8	5.1
t <sub>PHL</sub>	A	Y	MAX	10.7	6.7
				12.9	7.8
t <sub>PHZ</sub>	OE	Y	MAX	13	7.2
				10	7.5
t <sub>PLZ</sub>	OE	Y	MAX	13	7.2
				10	7.5

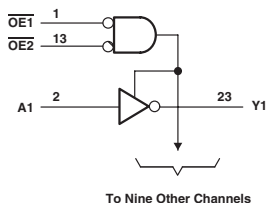
UNIT: ns

## 2828

### 10-BIT BUS/MOS MEMORY DRIVERS WITH 3-STATE INVERTING

- Output Ports Have Equivalent 33-Ω Series Resistors, So No External Resistors Are Required (SN74BCT2828)

#### Logic Diagram



#### ELECTRICAL CHARACTERISTICS AND RECOMMENDED OPERATING CONDITIONS

PARAMETER	MAX or MIN	SN74 BCT	UNIT
I <sub>CCZ</sub>	MAX	6	mA
I <sub>CCL</sub>	MAX	40	mA
I <sub>OH</sub>	MAX	-1	mA
I <sub>OL</sub>	MAX	12	mA

#### SWITCHING CHARACTERISTICS

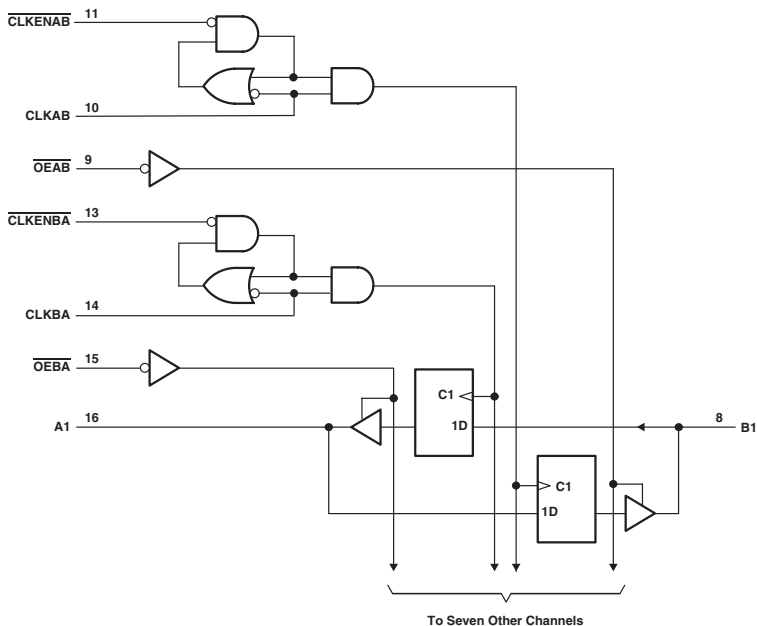
PARAMETER	INPUT	OUTPUT	MAX or MIN	SN74 BCT
T <sub>PLH</sub>	A	Y	MAX	6.6
T <sub>PHL</sub>				5
T <sub>PZH</sub>	$\overline{OE}$	Y	MAX	9
T <sub>PZL</sub>				11.5
T <sub>PHZ</sub>	$\overline{OE}$	Y	MAX	10.8
T <sub>PLZ</sub>				8.7

UNIT: ns

## OCTAL BUS TRANSCEIVERS AND REGISTERS WITH 3-STATE OUTPUTS

- Two 8-Bit Back-to-Back Registers Store Data Flowing in Both Directions
- Noninverting Outputs
- 3-State Outputs

Logic Diagram



FUNCTION TABLE†

INPUTS				OUTPUT B
CLKENAB	CLKAB	OEAB	A	
H	X	L	X	B <sub>0</sub>
X	H or L	L	X	B <sub>0</sub>
L	↑	L	L	L
L	↑	L	H	H
X	X	H	X	Z

† A-to-B data flow is shown; B-to-A data flow is similar but uses CLKENBA, CLKBA, and OEBA.

‡ Level of B before the indicated steady-state input conditions were established

## ELECTRICAL CHARACTERISTICS AND RECOMMENDED OPERATING CONDITIONS

PARAMETER		MAX or MIN	SN74 BCT	ABT	LVTH 3V	LVC 3V	UNIT
I <sub>CC</sub>		MAX	55	35	5	0.01	mA
I <sub>OH</sub>	A	MAX	-3	-32	-32	-24	mA
	B		-15	-32	-32	-24	mA
I <sub>OL</sub>	A	MAX	24	64	64	24	mA
	B		64	64	64	24	mA

## TIMING REQUIREMENTS AND SWITCHING CHARACTERISTICS

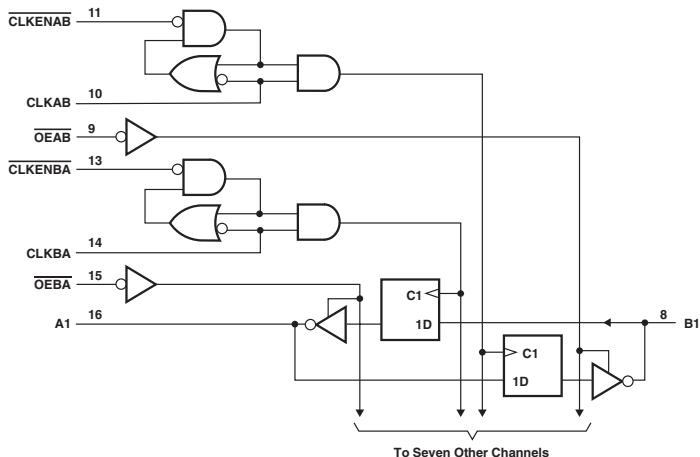
PARAMETER	INPUT	OUTPUT	MAX or MIN	SN74 BCT	ABT	LVTH 3V	LVC 3V
t <sub>max</sub>			MIN	125	150	150	150
t <sub>w</sub>	CLK "H"		MIN	4	3.3	3.3	3.3
	CLK "L"			4	3.3	3.3	3.3
t <sub>su</sub>	A or B before CLK High		MIN	2.5	2.5	1.5	1.3
	A or B before CLK Low			2.5	2.5	1.5	-
	CLKENAB or CLKENBA High			2	3	1.5	1.1
	CLKENAB or CLKENBA Low			2	3	1.9	-
t <sub>h</sub>	A or B after CLK		MIN	1.5	1.5	1	1.1
	CLKENAB or CLKENBA			2.5	2	1.2	1.1
t <sub>PLH</sub>	CLKBA	A, B	MAX	9	5.9	4.6	8.2
t <sub>PHL</sub>	CLKAB			10.5	6.3	4.6	8.2
t <sub>PZH</sub>	OEBA	A, B	MAX	8.2	5.6	4.6	7.8
t <sub>PZL</sub>	OEAB			12.9	6.6	4.6	7.8
t <sub>PHZ</sub>	OEBA	A, B	MAX	8.4	6.4	5.4	7.8
t <sub>PLZ</sub>	OEAB			7	6.2	5.1	7.8

UNIT f<sub>max</sub> : MHz other : ns

## OCTAL BUS TRANSCEIVER AND REGISTER WITH 3-STATE OUTPUTS

- Two 8-Bit, Back-to-Back Registers Store Data Flowing in Both Directions
- Inverting Outputs
- 3-State Outputs

Logic Diagram



FUNCTION TABLE†

INPUTS				OUTPUT B
OEAB	CLKAB	OEBA	A	B
H	↑	L	X	A <sub>0</sub>
L	↑	L	L	H
L	↑	L	H	L
X	X	H	X	Z

† A-to-B data flow is shown; B-to-A data flow is similar but uses

CEBA, CLKBA, and OEBA.

‡ Level of B before the indicated steady-state input conditions were

established

ELECTRICAL CHARACTERISTICS AND RECOMMENDED OPERATING CONDITIONS

PARAMETER	MAX or MIN	SN74 BCT	UNIT
I <sub>CC</sub>	MAX	55	mA
I <sub>OH</sub>	A	-3	mA
	B	-15	mA
I <sub>OL</sub>	A	24	mA
	B	64	mA

TIMING REQUIREMENTS AND SWITCHING CHARACTERISTICS

PARAMETER	INPUT	OUTPUT	MAX or MIN	SN74 BCT
f <sub>max</sub>			MIN	110
t <sub>v</sub>	CLK "H"		MIN	4.5
	CLK "L"			
t <sub>su</sub>	A or B High		MIN	2.5
	A or B Low			
	CLKENAB or CLKENBA High			
	CLKENAB or CLKENBA Low			
	A or B			
t <sub>h</sub>	A or B		MIN	1.5
	CLKENAB or CLKENBA			
t <sub>PLH</sub>	CLKBA	A, B	MAX	9.5
t <sub>PHL</sub>	CLKAB	A, B	MAX	10.2
t <sub>PZH</sub>	OEBA	A, B	MAX	8.8
t <sub>PZL</sub>	OEAB	A, B	MAX	14
t <sub>PHZ</sub>	OEBA	A, B	MAX	9.1
t <sub>PLZ</sub>	OEAB	A, B	MAX	7.6

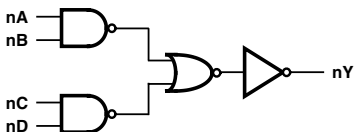
UNIT f<sub>max</sub>: MHz other: ns

# 4002

## DUAL 4-INPUT POSITIVE-NOR GATES

$$\bullet Y = \overline{A + B + C + D}$$

Logic Diagram



FUNCTION TABLE

INPUTS				OUTPUT
A	B	C	D	Y
L	L	L	L	H
H	X	X	X	L
X	H	X	X	L
X	X	H	X	L
X	X	X	H	L

NOTES:

H = High Voltage Level

L = Low Voltage Level

X = Irrelevant

ELECTRICAL CHARACTERISTICS AND RECOMMENDED OPERATING CONDITIONS

PARAMETER	MAX or MIN	SN74 HC	CD74 HC	UNIT
I <sub>CC</sub>	MAX	0.02	0.04	mA
I <sub>OH</sub>	MAX	-4	-4	mA
I <sub>OL</sub>	MAX	4	4	mA

SWITCHING CHARACTERISTICS

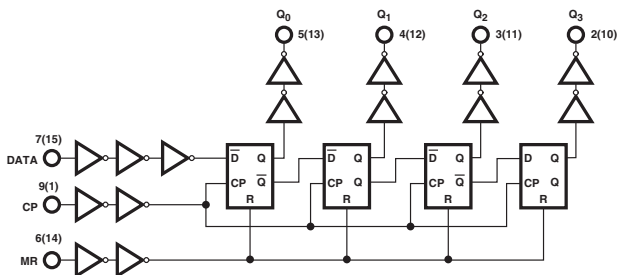
PARAMETER	INPUT	OUTPUT	MAX or MIN	SN74 HC	CD74 HC
t <sub>PLH</sub>	A, B, C, D	Y	MAX	28	30
t <sub>PHL</sub>			MAX	28	30

UNIT:ns



## DUAL 4-STAGE STATIC SHIFT REGISTER

Logic Diagram



FUNCTION TABLE

CP	INPUTS			OUTPUT			
	D	R		Q <sub>0</sub>	Q <sub>1</sub>	Q <sub>2</sub>	Q <sub>3</sub>
↑	I	L	L	q'0	q'1	q'2	
↑	h	L	H	q'0	q'1	q'2	
↓	X	L		q'0	q'1	q'2	q'3
X	X	H	L	L	L	L	L

## NOTES:

- H = High Voltage Level  
h = High Voltage Level One Set-up Time Prior to the Low to High Clock Transition  
L = Low Voltage Level  
l = Low Voltage Level One Set-up Time Prior to the Low to High Clock Transition  
X = Don't Care.  
↑ = Low to High Clock Transition  
↓ = High to Low Clock Transition  
q<sub>n</sub> = Lower case letters indicate the state of the referenced output one set-up time prior to the Low to High clock transition.

ELECTRICAL CHARACTERISTICS AND RECOMMENDED OPERATING CONDITIONS

PARAMETER	MAX or MIN	CD74 HC	UNIT
I <sub>CC</sub>	MAX	0.16	mA
I <sub>OH</sub>	MAX	-4	mA
I <sub>OL</sub>	MAX	4	mA

TIMING REQUIREMENTS AND SWITCHING CHARACTERISTICS

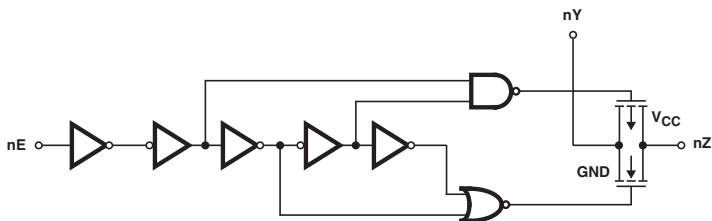
PARAMETER	INPUT	OUTPUT	MAX or MIN	CD74 HC
t <sub>max</sub>			MIN	20
t <sub>v</sub>	Clock		MIN	24
	MR			45
t <sub>SUL</sub>	Data-In to CP		MIN	18
t <sub>SUH</sub>	Data-In to CP		MIN	18
t <sub>H</sub>	Data-In to CP		MIN	0
t <sub>PLH</sub>	Clock	Q <sub>n</sub>	MAX	54
t <sub>PHL</sub>				54
t <sub>PLH</sub>	MR	Q <sub>n</sub> (Clock High)	MAX	83
t <sub>PHL</sub>				83
t <sub>PLH</sub>	MR	Q <sub>n</sub> (Clock Low)	MAX	98
t <sub>PHL</sub>				98

UNIT f<sub>max</sub> : MHz other : ns

# 4016

## QUAD BILATERAL SWITCH

Logic Diagram



### FUNCTION TABLE

INPUT nE	SWITCH
L	OFF
H	ON

NOTES:

H = High Level Voltage  
L = Low Level Voltage

### ELECTRICAL CHARACTERISTICS AND RECOMMENDED OPERATING CONDITIONS

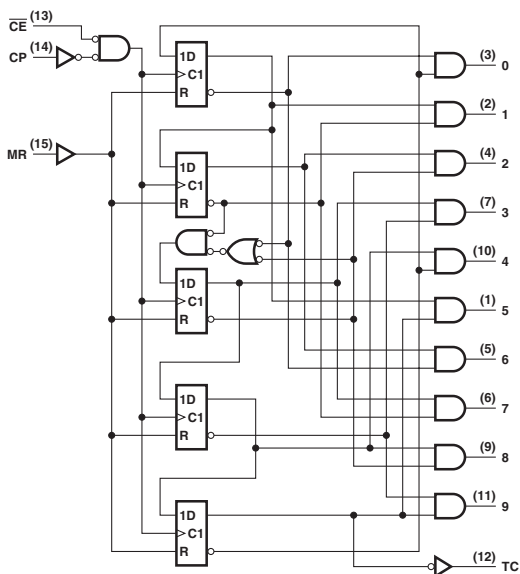
PARAMETER	MAX or MIN	CD74 HC	UNIT
I <sub>CC</sub>	MAX	0.04	mA
R <sub>ON</sub>	MAX	480	Ω

### SWITCHING CHARACTERISTICS

PARAMETER	INPUT	OUTPUT	MAX or MIN	CD74 HC
t <sub>PLH</sub>	Switch In	Switch Out	MAX	18
				18
t <sub>PZH</sub>	En	Z	MAX	57
				57
t <sub>PHZ</sub>	En	Z	MAX	44
				44

UNIT:ns

Logic Diagram



FUNCTION TABLE

INPUTS			OUTPUT STATE†
CP	CE	MR	
L	X	L	No Change
X	H	L	No Change
X	X	H	"0" = H, "1"-"9" = L
↑	L	L	Increments Counter
↓	X	L	No Change
X	↑	L	No Change
H	↓	L	Increments Counter

## NOTES:

H = High Level

L = Low Level

↑ = High to Low Transition

↓ = Low to High Transition

X = Don't Care

† If  $n < 5$  TC = H, Otherwise = L

ELECTRICAL CHARACTERISTICS AND RECOMMENDED OPERATING CONDITIONS

PARAMETER	MAX or MIN	SN74 HC	CD74 HC	UNIT
$I_{CC}$	MAX	0.08	0.16	mA
$I_{OH}$	MAX	-4	-4	mA
$I_{OL}$	MAX	4	4	mA

TIMING REQUIREMENTS AND SWITCHING CHARACTERISTICS

PARAMETER	INPUT	OUTPUT	MAX or MIN	SN74 HC	CD74 HC
$f_{max}$			MIN	25	20
	CP		MIN	20	24
$t_w$	MR		MIN	20	24
	CE to CP		MIN	13	22
$t_{su}$	CLK Inactive		MIN	13	-
	CE to CP		MIN	5	0
$t_{PLH}$	CP	0 to 9	MAX	58	69
$t_{PHL}$			58	69	
$t_{PLH}$	CE	0 to 9	MAX	63	75
$t_{PHL}$			63	75	
$t_{PLH}$	MR	0 to 9	MAX	58	69
$t_{PHL}$			58	69	
$t_{PLH}$	MR	TC	MAX	-	69
$t_{PHL}$			58	69	

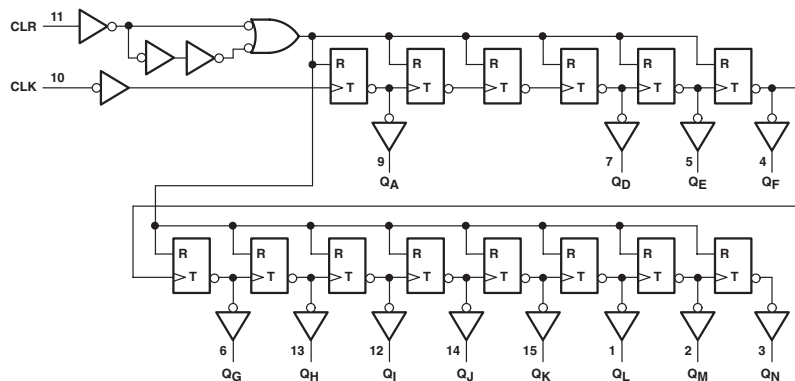
UNIT  $f_{max}$  : MHz, other : ns

# 4020

## 14-STAGE BINARY COUNTERS

- Same Pinouts as CMOS4020
- $V_{CC}$ : 2V to 6V

Logic Diagram (SN74HC)



FUNCTION TABLE (SN74)

CLK	CLR	OUTPUT
↑	L	No Change
↓	L	Advance to Next State
X	H	All Outputs Are Low

NOTE: H = High Voltage Level, L = Low Voltage Level,  
 X = Don't Care, = ↑ Transition from Low to High Level,  
 ↓ = Transition from High to Low.

ELECTRICAL CHARACTERISTICS AND RECOMMENDED OPERATING CONDITIONS

PARAMETER	MAX or MIN	SN74 HC	CD74 HC	CD74 HCT	UNIT
$I_{CC}$	MAX	0.08	0.16	0.16	mA
$I_{OH}$	MAX	-4	-4	-4	mA
$I_{OL}$	MAX	4	4	4	mA

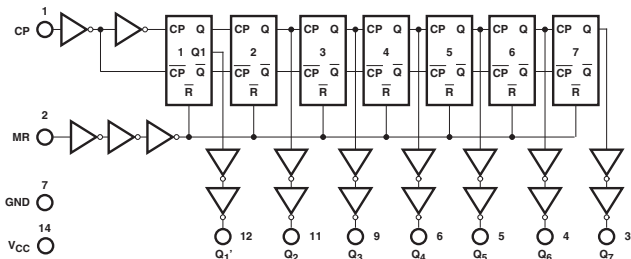
TIMING REQUIREMENTS AND SWITCHING CHARACTERISTICS

PARAMETER	INPUT	OUTPUT	MAX or MIN	SN74 HC	CD74 HC	CD74 HCT
$f_{max}$			MIN	22	20	16
$t_w$	CLK (CD74: CP)		MIN	23	24	30
	CLR high		MIN	18	24	30
$t_{su}$	CLK (CD74: CP)	CLR inactive before CLK ↓	MIN	15	-	-
$t_{PLH}$	CLK (CD74: CP)	$Q_A$ (CD74: $Q_i$ )	MAX	38	42	60
$t_{PHL}$			MAX	38	42	60
$t_{PHL}$	CLR (CD74: CP)	Any	MAX	35	51	60

UNIT  $f_{max}$ : MHz other: ns

## 7-STAGE BINARY COUNTERS

Logic Diagram



FUNCTION TABLE (SN74)

CLK	CLR	OUTPUT
↑	L	No Change
↓	L	Advance to Next State
X	H	All Outputs Are Low

NOTE: H = High Voltage Level, L = Low Voltage Level,  
 X = Don't Care, = ↑ Transition from Low to High Level,  
 ↓ = Transition from High to Low.

## ELECTRICAL CHARACTERISTICS AND RECOMMENDED OPERATING CONDITIONS

PARAMETER	MAX or MIN	SN74 HC	CD74 HC	CD74 HCT	UNIT
$I_{CC}$	MAX	0.08	0.16	0.16	mA
$I_{OH}$	MAX	-4	-4	-4	mA
$I_{OL}$	MAX	4	4	4	mA

## TIMING REQUIREMENTS AND SWITCHING CHARACTERISTICS

PARAMETER	INPUT	OUTPUT	MAX or MIN	SN74 HC	CD74 HC	CD74 HCT
$f_{max}$			MIN	22	20	16
$t_w$	CP (CLK)		MIN	23	24	30
	MR (CLR H)			20	24	30
$t_{su}$	CLR iow before CLK		MIN	20	-	-
$t_{PLH}$	CP (CLK)	Q1 (QA)	MAX	30	42	60
$t_{PHL}$				30	42	60
$t_{PLH}$	MR (CLR)	any Q	MAX	-	51	60
$t_{PHL}$				33	51	60

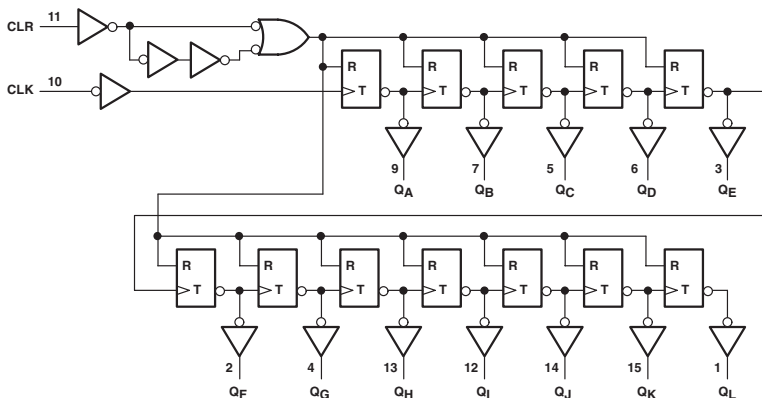
UNIT  $f_{max}$ : MHz, other: ns

# 4040

## 12-STAGE BINARY COUNTERS

- Same Pinouts as CMOS4040
- $V_{CC}$ : 2V to 6V

Logic Diagram (SN74HC)



FUNCTION TABLE

CLK	CLR	OUTPUT
↑	L	No Change
↓	L	Advance to Next State
X	H	All Outputs Are Low

NOTE: H = High Voltage Level, L = Low Voltage Level,  
 X = Don't Care, ↑ = Transition from Low to High Level,  
 ↓ = Transition from High to Low.

ELECTRICAL CHARACTERISTICS AND RECOMMENDED OPERATING CONDITIONS

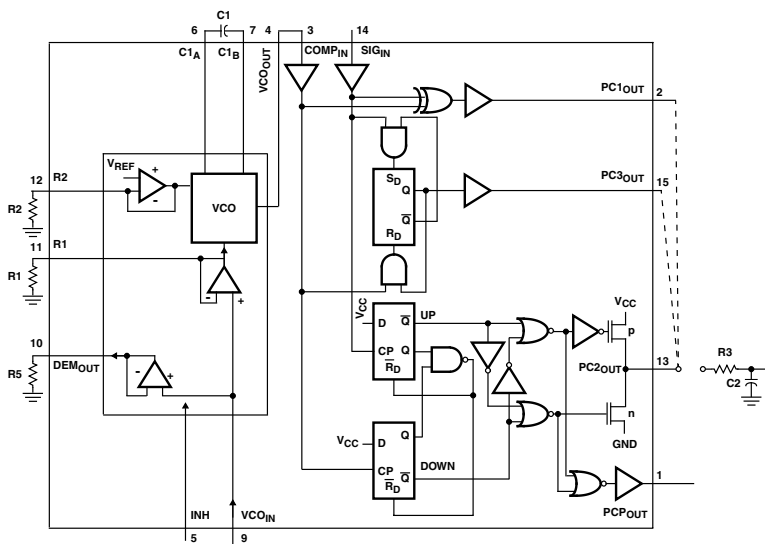
PARAMETER	MAX or MIN	SN74 HC	CD74 HC	CD74 HCT	LV 3V	LV 5V	UNIT
$I_{CC}$	MAX	0.08	0.16	0.16	-	0.02	mA
$I_{OH}$	MAX	-4	-4	-4	-6	-12	mA
$I_{OL}$	MAX	4	4	4	6	12	mA

TIMING REQUIREMENTS AND SWITCHING CHARACTERISTICS

PARAMETER	INPUT	OUTPUT	MAX or MIN	SN74 HC	CD74 HC	CD74 HCT	LV 3V	LV 5V
$f_{max}$			MIN	22	20	16	50	80
$t_w$	CLK (CP)		MIN	23	24	30	5	5
	CLR (MR) high			18	24	30	5	5
$t_{su}$	CLK (CP)	CLR(MR) inactive before CLK(CP) ↓	MIN	15	-	-	5	5
$t_{PLH}$	CLK (CP)	$Q_A$ (Q1)	MAX	38	42	60	17.5	10.5
$t_{PHL}$				38	42	60	17.5	10.5
$t_{PHL}$	CLR (MR)	Any	MAX	35	51	60	18.5	12

UNIT  $f_{max}$ : MHz other: ns

Logic Diagram



Pin Descriptions

PIN NUMBER	SYMBOL	NAME AND FUNCTION
1	PC <sub>F</sub> OUT	Phase Comparator Pulse Output
2	PC <sub>1</sub> OUT	Phase Comparator 1 Output
3	COMP <sub>IN</sub>	Comparator Input
4	VCO <sub>OUT</sub>	VCO Output
5	INH	Inhibit Input
6	C <sub>1A</sub>	Capacitor C1 Connection A
7	C <sub>1B</sub>	Capacitor C1 Connection B
8	GND	Ground (0V)
9	VCO <sub>IN</sub>	VCO Input
10	DEM <sub>OUT</sub>	Demodulator Output
11	R <sub>1</sub>	Resistor R1 Connection
12	R <sub>2</sub>	Resistor R2 Connection
13	PC <sub>2</sub> OUT	Phase Comparator 2 Output
14	SIG <sub>IN</sub>	Signal Input
15	PC <sub>3</sub> OUT	Phase Comparator 3 Output
16	V <sub>CC</sub>	Positive Supply Voltage

## ELECTRICAL CHARACTERISTICS AND RECOMMENDED OPERATING CONDITIONS

PARAMETER	MAX or MIN	CD74 HC	CD74 HCT	UNIT
I <sub>CC</sub>	MAX	0.16	0.16	mA
I <sub>OH</sub>	MAX	-4	-4	mA
I <sub>OL</sub>	MAX	4	4	mA

## SWITCHING CHARACTERISTICS

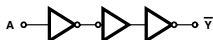
PARAMETER	INPUT	OUTPUT	MAX or MIN	CD74 HC	CD74 HCT
t <sub>PLH</sub>	SIG <sub>IN</sub>	PC <sub>IOUT</sub>	MAX	60	68
	COMP <sub>IN</sub>			60	68
t <sub>PHL</sub>	SIG <sub>IN</sub>	PCP <sub>OUT</sub>	MAX	90	102
	COMP <sub>IN</sub>			90	102
t <sub>PLH</sub>	SIG <sub>IN</sub>	PC3 <sub>OUT</sub>	MAX	74	87
	COMP <sub>IN</sub>			74	87
t <sub>TLH</sub>	A	$\bar{Y}$	MAX	22	22
				22	22
t <sub>PZH</sub>	SIG <sub>IN</sub>	PC2 <sub>OUT</sub>	MAX	80	90
	COMP <sub>IN</sub>			80	90
t <sub>PZL</sub>	SIG <sub>IN</sub>	PC2 <sub>OUT</sub>	MAX	95	102
	COMP <sub>IN</sub>			95	102

UNIT:ns



## HEX INVERTING BUFFERS

Logic Diagram



## ELECTRICAL CHARACTERISTICS AND RECOMMENDED OPERATING CONDITIONS

PARAMETER	MAX or MIN	CD74 HC	UNIT
$I_{CC}$	MAX	0.04	mA
$I_{OH}$	MAX	-4	mA
$I_{OL}$	MAX	4	mA

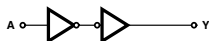
## SWITCHING CHARACTERISTICS

PARAMETER	INPUT	OUTPUT	MAX or MIN	CD74 HC
$t_{PLH}$	nA	$\bar{n}Y$	MAX	26
$t_{PHL}$				26

UNIT:ns

## HEX NON-INVERTING BUFFERS

Logic Diagram



## ELECTRICAL CHARACTERISTICS AND RECOMMENDED OPERATING CONDITIONS

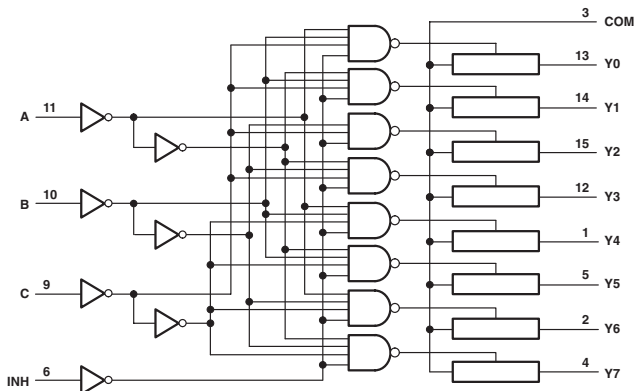
PARAMETER	MAX or MIN	CD74 HC	UNIT
$I_{CC}$	MAX	0.04	mA
$I_{OH}$	MAX	-4	mA
$I_{OL}$	MAX	4	mA

## SWITCHING CHARACTERISTICS

PARAMETER	INPUT	OUTPUT	MAX or MIN	CD74 HC
$t_{PLH}$	nA	nY	MAX	26
$t_{PHL}$				26

UNIT:ns

Logic Diagram (SN74LV)

FUNCTION TABLE  
(SN74)

INPUTS				ON CHANNEL
INH	C	B	A	
L	L	L	L	Y0
L	L	L	H	Y1
L	L	H	L	Y2
L	L	H	H	Y3
L	H	L	L	Y4
L	H	L	H	Y5
L	H	H	L	Y6
L	H	H	H	Y7
H	X	X	X	None

## ELECTRICAL CHARACTERISTICS AND RECOMMENDED OPERATING CONDITIONS

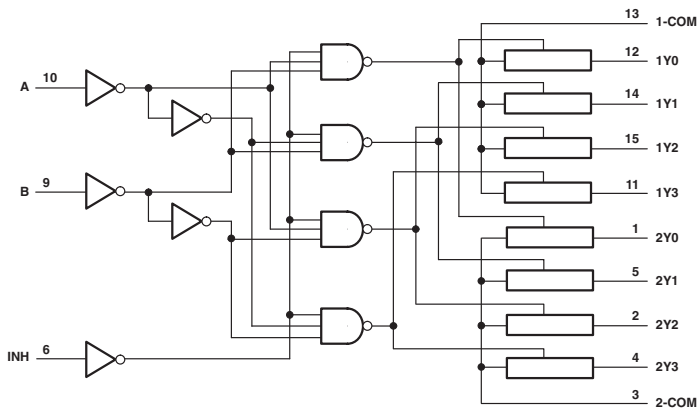
PARAMETER	MAX or MIN	CD74 HC	CD74 HCT	LV 3V	LV 5V	UNIT
$I_{CC}$	MAX	0.16	0.16	-	0.02	mA
$R_{ON}$	MAX	180	180	190	100	$\Omega$

## SWITCHING CHARACTERISTICS

PARAMETER	INPUT	OUTPUT	MAX or MIN	CD74 HC	CD74 HCT	LV 3V	LV 5V
$t_{PLH}$	COM or Yn (An)	Yn (An) or COM	MAX	18	18	12	8
$t_{PHL}$				18	18	12	8
$t_{PZH}$	INH	COM or Yn (An)	MAX	68	83	25	18
$t_{PZL}$				68	83	25	18
$t_{PHZ}$	INH	COM or Yn (An)	MAX	68	68	25	18
$t_{PLZ}$				68	68	25	18

UNIT: ns

Logic Diagram (SN74LV)

FUNCTION TABLE  
(SN74)

INPUTS			ON CHANNEL
INH	B	A	
L	L	L	1Y0, 2Y0
L	L	H	1Y1, 2Y1
L	H	L	1Y2, 2Y2
L	H	H	1Y3, 2Y3
H	X	X	None

ELECTRICAL CHARACTERISTICS AND RECOMMENDED OPERATING CONDITIONS

PARAMETER	MAX or MIN	CD74 HC	CD74 HCT	LV 3V	LV 5V	UNIT
I <sub>CC</sub>	MAX	0.16	0.16	-	0.02	mA
R <sub>ON</sub>	MAX	180	180	190	100	Ω

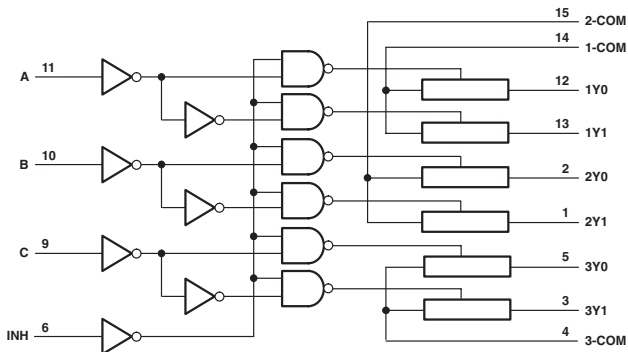
SWITCHING CHARACTERISTICS

PARAMETER	INPUT	OUTPUT	MAX or MIN	CD74 HC	CD74 HCT	LV 3V	LV 5V
t <sub>PLH</sub>	COM or Y <sub>n</sub> (A <sub>n</sub> )	Y <sub>n</sub> (A <sub>n</sub> ) or COM	MAX	18	18	12	8
t <sub>PHL</sub>				18	18	12	8
t <sub>PZH</sub>	INH	COM or Y <sub>n</sub> (A <sub>n</sub> )	MAX	98	105	25	18
t <sub>PZL</sub>				98	105	25	18
t <sub>PHZ</sub>	INH	COM or Y <sub>n</sub> (A <sub>n</sub> )	MAX	75	75	25	18
t <sub>PLZ</sub>				75	75	25	18

UNIT: ns

## TRIPLE 2-CHANNEL ANALOG MULTIPLEXERS/DEMULTIPLEXERS

Logic Diagram (SN74LV)

FUNCTION TABLE  
(SN74)

INPUTS				ON CHANNEL
INH	C	B	A	
L	L	L	L	1Y0, 2Y0, 3Y0
L	L	L	H	1Y1, 2Y0, 3Y0
L	L	H	L	1Y0, 2Y1, 3Y0
L	L	H	H	1Y1, 2Y1, 3Y0
L	H	L	L	1Y0, 2Y0, 3Y1
L	H	L	H	1Y1, 2Y0, 3Y1
L	H	H	L	1Y0, 2Y1, 3Y1
L	H	H	H	1Y1, 2Y1, 3Y1
H	X	X	X	None

## ELECTRICAL CHARACTERISTICS AND RECOMMENDED OPERATING CONDITIONS

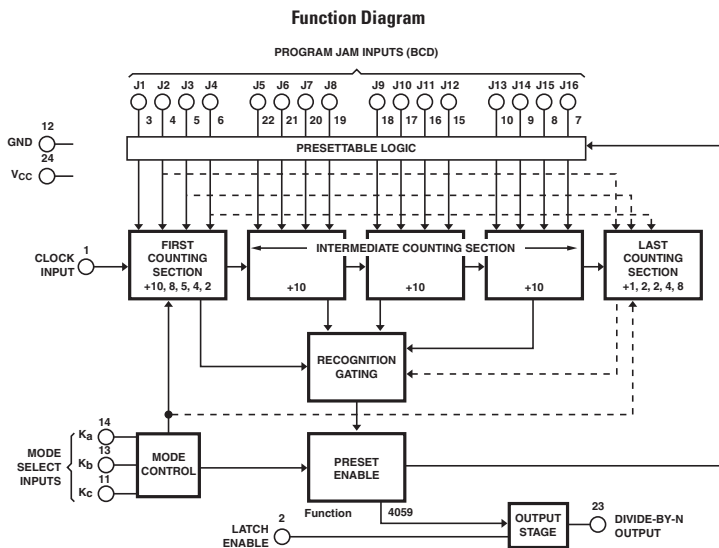
PARAMETER	MAX or MIN	CD74 HC	CD74 HCT	LV 3V	LV 5V	UNIT
$I_{CC}$	MAX	0.16	0.16	-	0.02	mA
$R_{ON}$	MAX	180	180	190	100	$\Omega$

## SWITCHING CHARACTERISTICS

PARAMETER	INPUT	OUTPUT	MAX or MIN	CD74 HC	CD74 HCT	LV 3V	LV 5V
$t_{PLH}$	COM or Yn (An, Bn, Cn)	Yn (An, Bn, Cn) or COM	MAX	18	18	12	8
$t_{PHL}$				18	18	12	8
$t_{PZH}$	INH	COM or Yn (An, Bn, Cn)	MAX	66	72	25	18
$t_{PZL}$				66	72	25	18
$t_{PHZ}$	INH	COM or Yn (An, Bn, Cn)	MAX	63	66	25	18
$t_{PLZ}$				63	66	25	18

UNIT: ns

## CMOS PROGRAMMABLE DIVIDE-BY-N COUNTER



FUNCTION TABLE

MODE	SELECT	INPUT
Ka	Kb	Kc
H	H	H
L	H	H
H	L	H
L	L	H
H	H	L
X	L	L

ELECTRICAL CHARACTERISTICS AND RECOMMENDED OPERATING CONDITIONS

PARAMETER	MAX or MIN	CD74 HC	UNIT
I <sub>CC</sub>	MAX	0.16	mA
I <sub>OH</sub>	MAX	-4	mA
I <sub>OL</sub>	MAX	4	mA

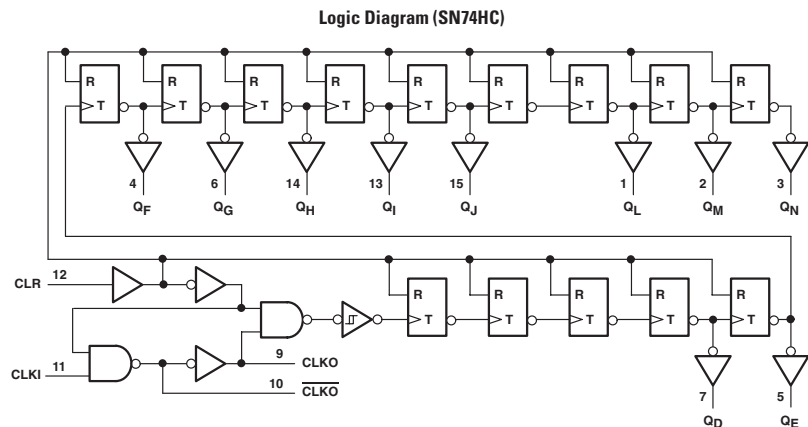
TIMING REQUIREMENTS AND SWITCHING CHARACTERISTICS

PARAMETER	INPUT	OUTPUT	MAX or MIN	CD74 HC
f <sub>max</sub>	CP		MIN	18
t <sub>w</sub>	CP		MIN	27
t <sub>su</sub>	Kb, Kc to CP		MIN	22
t <sub>PLH</sub>	CP	Q	MAX	60
t <sub>PHL</sub>				60
t <sub>PLH</sub>	LE	Q	MAX	53
t <sub>PHL</sub>				53

UNIT f<sub>max</sub>: MHz other: ns

## ASYNCHRONOUS 14-STAGE BINARY COUNTERS AND OSCILLATORS

- Same Pinouts as CMOS4060
- Allow Design of Either RC or Crystal Oscillator Circuits
- $V_{CC}$ : 2V to 6V



FUNCTION TABLE (SN74)

INPUTS		OUTPUTS		
CLKI	CLR	Q <sub>D</sub> to Q <sub>N</sub>	CLKO	CLKO
T	L	No Change	↑	↓
↓	L	Advance to Next State	↓	↑
X	H	All Outputs are Low	L	H

## ELECTRICAL CHARACTERISTICS AND RECOMMENDED OPERATING CONDITIONS

PARAMETER	MAX or MIN	SN74 HC	CD74 HC	CD74 HCT	UNIT
I <sub>CC</sub>	MAX	0.08	0.16	0.16	mA
I <sub>OH</sub>	MAX	-4	-4	-4	mA
I <sub>OL</sub>	MAX	4	4	4	mA

## TIMING REQUIREMENTS AND SWITCHING CHARACTERISTICS

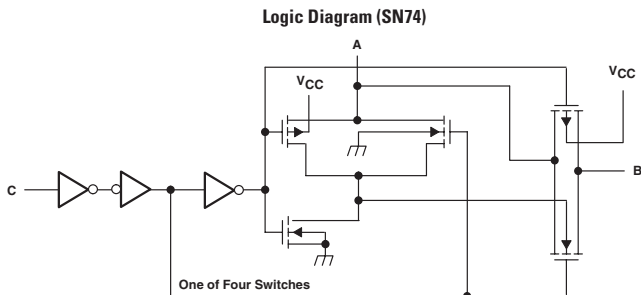
PARAMETER	INPUT	OUTPUT	MAX or MIN	SN74 HC	CD74 HC	CD74 HCT
f <sub>max</sub>			MIN	22	20	20
t <sub>w</sub>	CLKI (φ)		MIN	23	24	24
	CLR high (MR)			23	24	38
t <sub>su</sub>	CLR inactive before CLK ↓		MIN	40	-	-
t <sub>PLH</sub>	CLKI (φ)	Q <sub>D</sub> (Q4)	MAX	123	90	100
t <sub>PHL</sub>				123	90	100
t <sub>PHL</sub>	CLR (MR)	Any	MAX	35	53	66

UNIT f<sub>max</sub>: MHz other: ns

# 4066

## QUADRUPLE BILATERAL SWITCHES

- Same Pinouts as CMOS4016, 4066
- Low On-State Impedance: 50-Ω TYP at  $V_{CC} = 6V$
- Individual Switch Controls
- Extremely Low Input Current
- High On-Off Output Voltage Ratio
- Low Crosstalk Between Switches



**FUNCTION TABLE (SN74)**

INPUT (C)	SWITCH
L	OFF
H	ON

NOTE:

H = High Level

L = Low Level

### ELECTRICAL CHARACTERISTICS AND RECOMMENDED OPERATING CONDITIONS

PARAMETER	MAX or MIN	SN74 HC	CD74 HC	CD74 HCT	AHC	LV 3V	LV 5V	UNIT
$I_{CC}$	MAX	0.02	0.04	0.04	0.02	-	0.02	mA
$R_{ON}$	MAX	106	128	128	100	190	100	Ω

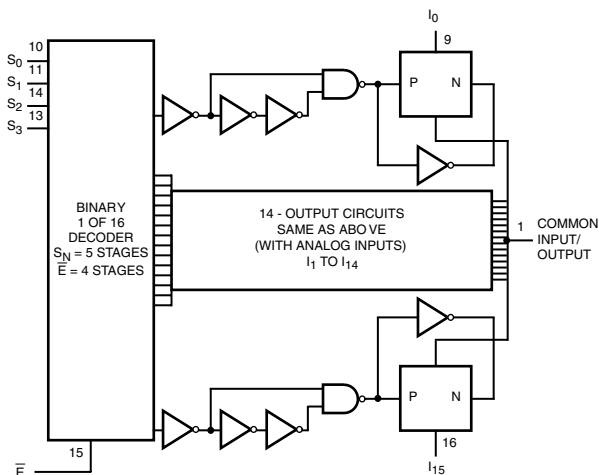
### SWITCHING CHARACTERISTICS

PARAMETER	INPUT	OUTPUT	MAX or MIN	SN74 HC	CD74 HC	CD74 HCT	AHC	LV 3V	LV 5V
$t_{PLH}$	A or B (Y or Z)	B or A (Z or Y)	MAX	15	18	18	8	12	8
$t_{PHL}$				15	18	18	8	12	8
$t_{PZH}$	C (E)	A or B (Y or Z)	MAX	45	30	36	16	22	16
$t_{PZL}$				45	30	36	16	22	16
$t_{PHZ}$	C (E)	A or B (Y or Z)	MAX	50	45	53	16	22	16
$t_{PLZ}$				50	45	53	16	22	16

UNIT: ns

## 16-CHANNEL ANALOG MULTIPLEXER/DEMULTIPLEXER

Function Diagram



FUNCTION TABLE

S0	S1	S2	S3	$\bar{E}$	SELECTED CHANNEL
X	X	X	X	X	None
0	0	0	0	0	0
1	0	0	0	0	1
0	1	0	0	0	2
1	1	0	0	0	3
0	0	1	0	0	4
1	0	1	0	0	5
0	1	1	0	0	6
1	1	1	0	0	7
0	0	0	1	0	8
1	0	0	1	0	9
0	1	0	1	0	10
1	1	0	1	0	11
0	0	1	1	0	12
1	0	1	1	0	13
0	1	1	1	0	14
1	1	1	1	0	15

## NOTES:

H = High Level  
L = Low Level  
X = Don't Care

ELECTRICAL CHARACTERISTICS AND RECOMMENDED OPERATING CONDITIONS

PARAMETER	MAX or MIN	CD74 HC	CD74 HCT	UNIT
$I_{CC}$	MAX	0.16	0.16	mA
$R_{ON}$	MAX	240	240	$\Omega$

SWITCHING CHARACTERISTICS

PARAMETER	INPUT	OUTPUT	MAX or MIN	CD74 HC	CD74 HCT
$t_{PLH}$	Switch In	COMMON I/O	MAX	22	22
$t_{PHL}$				22	22
$t_{PZH}$	$\bar{E}$	COMMON I/O	MAX	83	90
$t_{PZL}$				83	90
$t_{PHZ}$	$\bar{E}$	COMMON I/O	MAX	83	83
$t_{PLZ}$				83	83
$t_{PZH}$	$S_n$	COMMON I/O	MAX	90	90
$t_{PZL}$				90	90
$t_{PHZ}$	$S_n$	COMMON I/O	MAX	87	87
$t_{PLZ}$				87	87

UNIT:ns

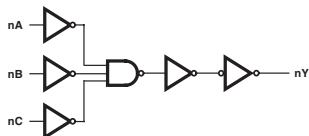


# 4075

## TRIPLE 3-INPUT OR GATES

●  $Y = A + B + C$

### Logic Diagram



### FUNCTION TABLE

INPUTS			OUTPUT
A	B	C	Y
L	L	L	L
H	X	X	H
X	H	X	H
X	X	H	H

#### NOTES:

H = High Voltage Level

L = Low Voltage Level

X = Don't Care

### ELECTRICAL CHARACTERISTICS AND RECOMMENDED OPERATING CONDITIONS

PARAMETER	MAX or MIN	SN74 HC	CD74 HC	CD74 HCT	UNIT
$I_{CC}$	MAX	0.02	0.04	0.04	mA
$I_{OH}$	MAX	-4	-4	-4	mA
$I_{OL}$	MAX	4	4	4	mA

### SWITCHING CHARACTERISTICS

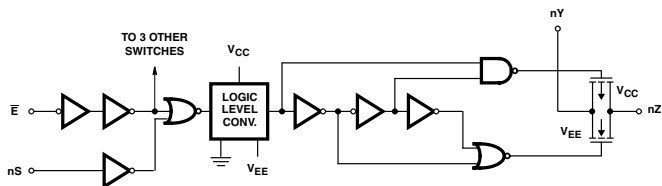
PARAMETER	INPUT	OUTPUT	MAX or MIN	SN74 HC	CD74 HC	CD74 HCT
$t_{PLH}$	A, B or C	Y	MAX	25	30	36
$t_{PHL}$	A, B or C	Y	MAX	25	30	36

UNIT:ns



## QUAD ANALOG SWITCH WITH LEVEL TRANSLATION

Logic Diagram



FUNCTION TABLE

INPUTS		SWITCH
$\bar{E}$	S	
L	L	OFF
L	H	ON
H	X	OFF

ELECTRICAL CHARACTERISTICS AND RECOMMENDED OPERATING CONDITIONS

PARAMETER	MAX or MIN	CD74 HC	CD74 HCT	UNIT
$I_{CC}$	MAX	0.32	0.32	mA
$R_{ON}$	MAX	270	270	$\Omega$

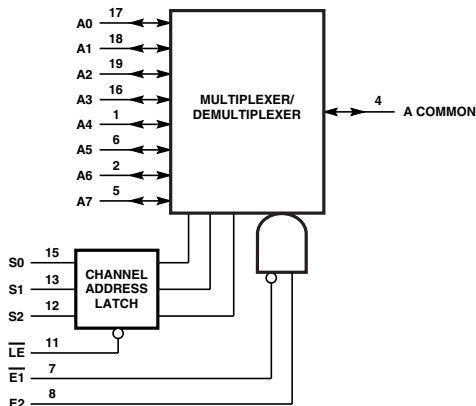
SWITCHING CHARACTERISTICS

PARAMETER	INPUT	OUTPUT	MAX or MIN	CD74 HC	CD74 HCT
$t_{PLH}$	Switch in	Switch out	MAX	18	18
$t_{PHL}$				18	18
$t_{PZH}$	$\bar{E}$	Z	MAX	62	66
$t_{PZL}$				62	85
$t_{PLZ}$	$\bar{E}$	Z	MAX	62	75
$t_{PHZ}$				62	-
$t_{PZH}$	nS	Z	MAX	53	60
$t_{PZL}$				53	75
$t_{PLZ}$	nS	Z	MAX	53	-
$t_{PHZ}$				53	66

UNIT:ns

## ANALOG MULTIPLEXERS/DEMULTIPLEXERS WITH LATCH

Logic Diagram



FUNCTION TABLE

INPUTS					"ON"† SWITCHES $\overline{LE} = H$
$\overline{E1}$	E2	S2	S1	S0	
L	H	L	L	L	A <sub>0</sub>
L	H	L	L	H	A <sub>1</sub>
L	H	L	H	L	A <sub>2</sub>
L	H	L	H	H	A <sub>3</sub>
L	H	H	L	L	A <sub>4</sub>
L	H	H	L	H	A <sub>5</sub>
L	H	H	H	L	A <sub>6</sub>
L	H	H	H	H	A <sub>7</sub>
H	L	X	X	X	None

NOTES:

† When LE is low S0-S2 data are latched and switches cannot change state.

H = High Voltage Level, L = Low Voltage Level, X = Don't Care

ELECTRICAL CHARACTERISTICS AND RECOMMENDED OPERATING CONDITIONS

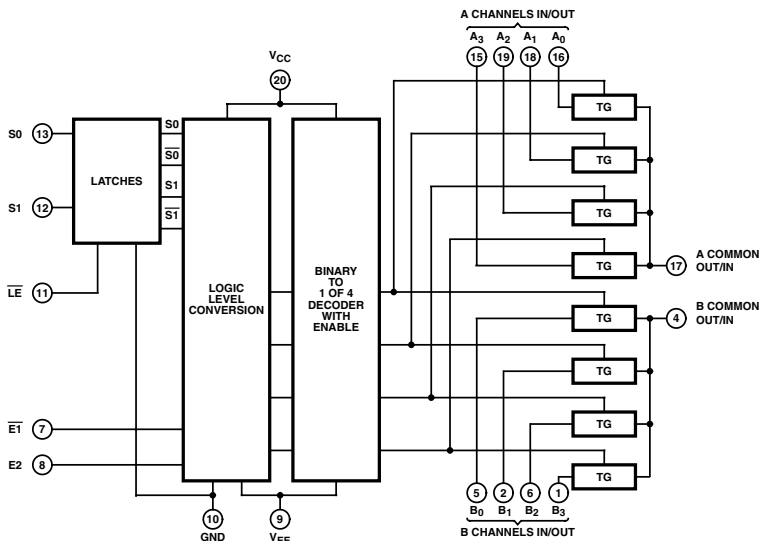
PARAMETER	MAX or MIN	CD74 HC	CD74 HCT	UNIT
I <sub>CC</sub>	MAX	0.32	0.32	mA
R <sub>ON</sub>	MAX	240	240	Ω

TIMING REQUIREMENTS AND SWITCHING CHARACTERISTICS

PARAMETER	INPUT	OUTPUT	MAX or MIN	CD74 HC	CD74 HCT
t <sub>V</sub>	$\overline{LE}$		MIN	30	28
t <sub>su</sub>	S <sub>n</sub> to $\overline{LE}$		MAX	18	18
t <sub>h</sub>	S <sub>n</sub> to $\overline{LE}$		MIN	5	5
t <sub>PLH</sub>	Switch In	Switch Out	MAX	11	11
t <sub>PHL</sub>				11	11
t <sub>PZH</sub>	$\overline{E1}$ , E2, $\overline{LE}$	V <sub>os</sub>	MAX	90	113
t <sub>PZL</sub>				90	113
t <sub>FZH</sub>	S <sub>n</sub>	V <sub>os</sub>	MAX	90	113
t <sub>FZL</sub>				90	113
t <sub>PLZ</sub>	$\overline{E1}$	V <sub>os</sub>	MAX	75	83
t <sub>PHZ</sub>				75	83
t <sub>PLZ</sub>	E2	V <sub>os</sub>	MAX	75	90
t <sub>PHZ</sub>				75	90
t <sub>PLZ</sub>	$\overline{LE}$	V <sub>os</sub>	MAX	83	90
t <sub>PHZ</sub>				83	90
t <sub>PHZ</sub>	S <sub>n</sub>	V <sub>os</sub>	MAX	83	98
t <sub>PLZ</sub>				83	98

UNIT:ns

Function Diagram



FUNCTION TABLE

INPUTS				"ON"† SWITCHES LE = H
E1	E2	S1	S0	
L	H	L	L	A <sub>0</sub> , B <sub>0</sub>
L	H	L	H	A <sub>1</sub> , B <sub>1</sub>
L	H	H	L	A <sub>2</sub> , B <sub>2</sub>
L	H	H	H	A <sub>3</sub> , B <sub>3</sub>
H	L	X	X	None

NOTES:  
 † When LE is low S0-S2 data are latched and switches cannot change state.  
 H = High Voltage Level, L = Low Voltage Level, X = Don't Care

ELECTRICAL CHARACTERISTICS AND RECOMMENDED OPERATING CONDITIONS

PARAMETER	MAX or MIN	CD74 HC	UNIT
I <sub>CC</sub>	MAX	0.32	mA
R <sub>ON</sub>	MAX	240	Ω

TIMING REQUIREMENTS AND SWITCHING CHARACTERISTICS

PARAMETER	INPUT	OUTPUT	MAX or MIN	CD74 HC
t <sub>w</sub>	LE		MIN	30
t <sub>su</sub>	S <sub>n</sub> to LE		MIN	-
t <sub>h</sub>	S <sub>n</sub> to LE		MIN	5
t <sub>PLH</sub>	Switch In	Switch Out	MAX	11
t <sub>PHL</sub>				11
t <sub>PZH</sub>	E1, E2, LE	V <sub>os</sub>	MAX	105
t <sub>PZL</sub>				105
t <sub>PZH</sub>	S <sub>n</sub>	V <sub>os</sub>	MAX	113
t <sub>PZL</sub>				113
t <sub>PLZ</sub>	E1, E2, LE	V <sub>os</sub>	MAX	83
t <sub>PHZ</sub>				83

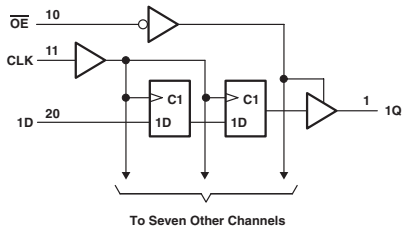
UNIT:ns

# 4374

## OCTAL EDGE-TRIGGERED D-TYPE DUAL-RANK FLIP-FLOP WITH 3-STATE OUTPUTS

- 3-State Outputs Drive Bus Lines Directly

### Logic Diagram



### FUNCTION TABLE

INPUTS			OUTPUT
OE	CLK	D	Q
L	↑	H	H
L	↑	L	L
L	L	X	Q <sub>O</sub>
H	X	X	Z

### ELECTRICAL CHARACTERISTICS AND RECOMMENDED OPERATING CONDITIONS

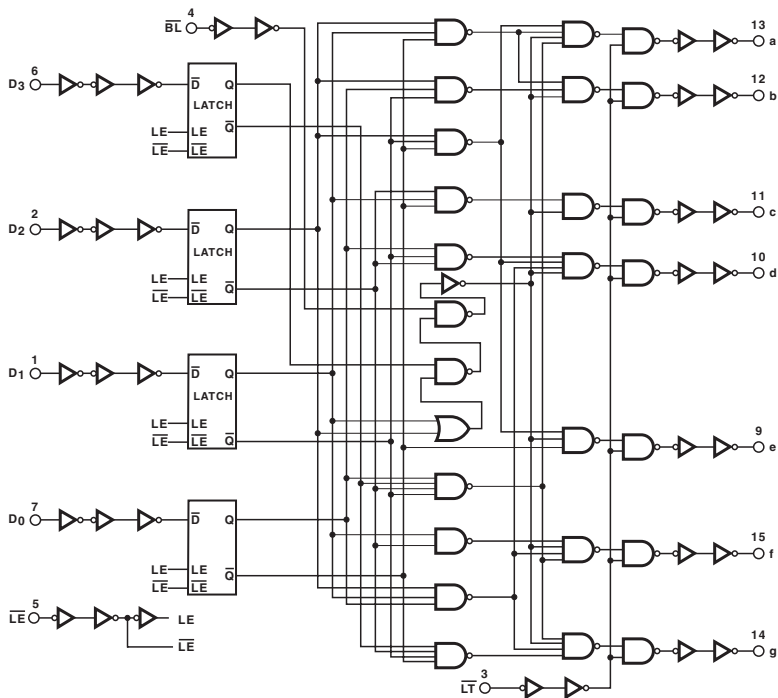
PARAMETER	MAX or MIN	AS	UNIT
I <sub>CC</sub>	MAX	150	mA
I <sub>OH</sub>	MAX	-15	mA
I <sub>OL</sub>	MAX	48	mA

### TIMING REQUIREMENTS AND SWITCHING CHARACTERISTICS

PARAMETER	INPUT	OUTPUT	MAX or MIN	AS
t <sub>MBX</sub>			MIN	125
t <sub>w</sub>			MIN	4
t <sub>su</sub>			MIN	4
t <sub>h</sub>			MIN	1
t <sub>PLH</sub>	CLK	Q	MAX	8
t <sub>PHL</sub>				8
t <sub>PZH</sub>	OE	Q	MAX	6
t <sub>PZL</sub>				8
t <sub>PHZ</sub>	OE	Q	MAX	6.5
t <sub>PLZ</sub>				7

UNIT f<sub>max</sub> : MHz other : ns

Logic Diagram



FUNCTION TABLE

$\overline{LE}$	$\overline{BL}$	$\overline{LT}$	D <sub>3</sub>	D <sub>2</sub>	D <sub>1</sub>	D <sub>0</sub>	a	b	c	d	e	f	g	Display
X	X	L	X	X	X	X	H	H	H	H	H	H	H	8
X	L	H	X	X	X	X	L	L	L	L	L	L	L	Blank
L	H	H	L	L	L	L	H	H	H	H	H	H	L	0
L	H	H	L	L	L	H	L	H	H	L	L	L	L	1
L	H	H	L	L	H	L	H	H	L	H	H	L	L	2
L	H	H	L	L	H	H	H	H	H	L	L	H	H	3
L	H	H	L	H	L	L	L	H	H	L	L	H	H	4
L	H	H	L	H	L	H	H	L	H	L	L	H	H	5
L	H	H	L	H	H	L	L	L	H	H	H	H	H	6
L	H	H	L	H	H	H	H	H	H	L	L	L	L	7
L	H	H	H	L	L	L	H	H	H	H	H	H	H	8
L	H	H	H	L	L	H	H	H	H	L	L	H	H	9
L	H	H	H	L	H	L	L	L	L	L	L	L	L	Blank
L	H	H	H	L	H	H	L	L	L	L	L	L	L	Blank
L	H	H	H	H	L	L	L	L	L	L	L	L	L	Blank
L	H	H	H	H	L	L	L	L	L	L	L	L	L	Blank
L	H	H	H	H	L	L	L	L	L	L	L	L	L	Blank
L	H	H	H	H	H	L	L	L	L	L	L	L	L	Blank
H	H	H	X	X	X	X	†	†	†	†	†	†	†	†

X – Don't care

† Depends on BCD code previously applied when  $\overline{LE} = L$ .

NOTES: Display is blank for all illegal input codes (BCD &gt; HLLH).

## ELECTRICAL CHARACTERISTICS AND RECOMMENDED OPERATING CONDITIONS

PARAMETER	MAX or MIN	CD74 HC	CD74 HCT	UNIT
I <sub>CC</sub>	MAX	0.16	0.16	mA
I <sub>OH</sub>	MAX	-7.4	-4	mA
I <sub>OL</sub>	MAX	4	4	mA

## TIMING REQUIREMENTS AND SWITCHING CHARACTERISTICS

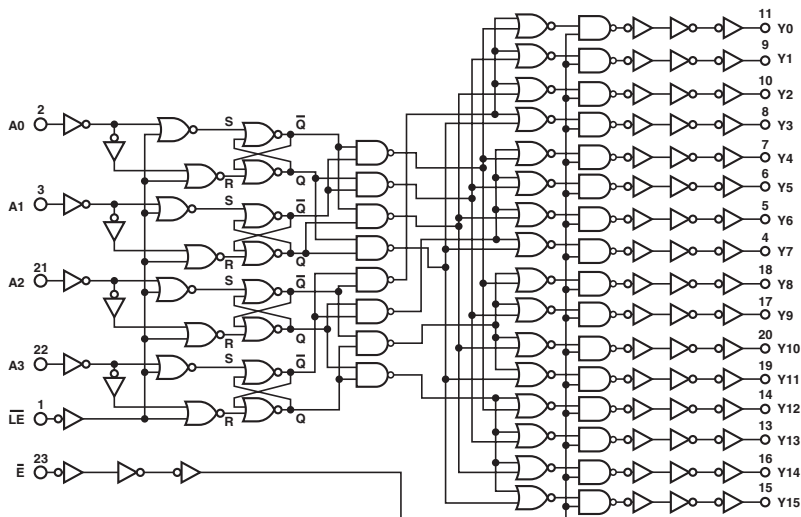
PARAMETER	INPUT	OUTPUT	MAX or MIN	CD74 HC	CD74 HCT
t <sub>W</sub>	Latch Enable		MIN	24	24
t <sub>su</sub>	Dn to $\overline{LE}$		MIN	18	24
t <sub>h</sub>	Dn to $\overline{LE}$		MIN	3	5
t <sub>PLH</sub>	Dn	a to g	MAX	90	90
t <sub>PHL</sub>				90	90
t <sub>PLH</sub>	$\overline{LE}$	a to g	MAX	81	81
t <sub>PHL</sub>				81	81
t <sub>PLH</sub>	$\overline{BL}$	a to g	MAX	66	66
t <sub>PHL</sub>				66	66
t <sub>PLH</sub>	$\overline{LT}$	a to g	MAX	48	50
t <sub>PHL</sub>				48	50

UNIT:ns



## 4-LINE TO 16-LINE DECODERS/DEMULTIPLEXERS WITH INPUT LATCHES

Logic Diagram

FUNCTION TABLE  
( $\overline{LE} = H$ )

$\overline{E}$	DECODER INPUTS				ADDRESSED OUTPUT H
	A3	A2	A1	A0	
L	L	L	L	L	Y0
L	L	L	L	H	Y1
L	L	L	H	L	Y2
L	L	L	H	H	Y3
L	L	H	L	L	Y4
L	L	H	L	H	Y5
L	L	H	H	L	Y6
L	L	H	H	H	Y7
L	H	L	L	L	Y8
L	H	L	L	H	Y9
L	H	L	H	L	Y10
L	H	L	H	H	Y11
L	H	H	L	L	Y12
L	H	H	L	H	Y13
L	H	H	H	L	Y14
L	H	H	H	H	Y15
H	X	X	X	X	All outputs = L

H = high, L = low, X = don't care

ELECTRICAL CHARACTERISTICS AND RECOMMENDED OPERATING CONDITIONS

PARAMETER	MAX or MIN	SN74 HC	CD74 HC	CD74 HCT	UNIT
$I_{CC}$	MAX	0.08	0.16	0.16	mA
$I_{OH}$	MAX	-4	-4	-4	mA
$I_{OL}$	MAX	4	4	4	mA

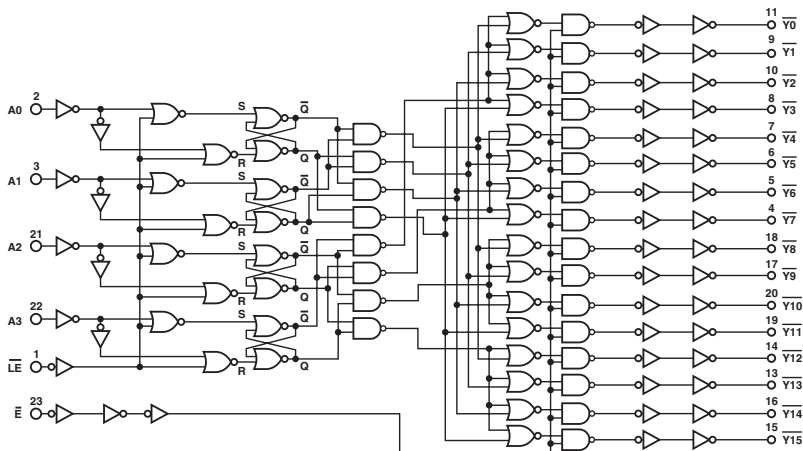
TIMING REQUIREMENTS AND SWITCHING CHARACTERISTICS

PARAMETER	INPUT	OUTPUT	MAX or MIN	SN74 HC	CD74 HC	CD74 HCT
$t_{bv}$	$\overline{LE}$ (LE)		MIN	20	22	45
$t_{bu}$	$\overline{LE}$ (LE)		MIN	25	30	30
$t_b$	$\overline{LE}$ (LE)		MIN	5	0	5
$t_{PLH}$	A0, 1, 2, 3 (A, B, C, D)	Y	MAX	58	83	83
$t_{PHL}$				58	83	83
$t_{PLH}$	$\overline{LE}$ (LE)	Y	MAX	58	68	75
$t_{PHL}$				58	68	75
$t_{PLH}$	$\overline{E}$ (G)	Y	MAX	44	53	60
$t_{PHL}$				44	53	60

UNIT: ns

## 4-LINE TO 16-LINE DECODERS/DEMULTIPLEXERS WITH INPUT LATCHES

Logic Diagram



FUNCTION TABLE

 $(\overline{LE} = H)$ 

$\overline{E}$	DECODER INPUTS				ADDRESSED OUTPUT L
	A3	A2	A1	A0	
L	L	L	L	L	Y0
L	L	L	L	H	Y1
L	L	L	H	L	Y2
L	L	L	H	H	Y3
L	L	H	L	L	Y4
L	L	H	L	H	Y5
L	L	H	H	L	Y6
L	L	H	H	H	Y7
L	H	L	L	L	Y8
L	H	L	L	H	Y9
L	H	L	H	L	Y10
L	H	L	H	H	Y11
L	H	H	L	L	Y12
L	H	H	L	H	Y13
L	H	H	H	L	Y14
L	H	H	H	H	Y15
H	X	X	X	X	All outputs = H

H = high, L = low, X = don't care

ELECTRICAL CHARACTERISTICS AND RECOMMENDED OPERATING CONDITIONS

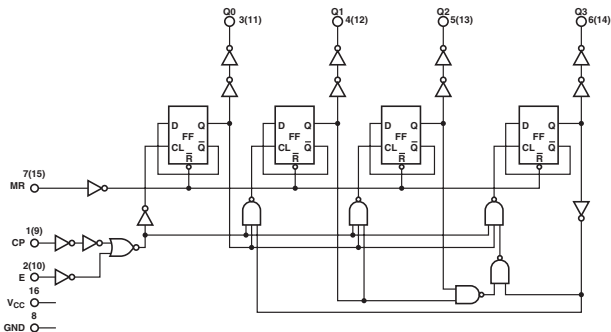
PARAMETER	MAX or MIN	SN74 HC	CD74 HC	CD74 HCT	UNIT
$I_{CC}$	MAX	0.08	0.16	0.16	mA
$I_{OH}$	MAX	-4	-4	-4	mA
$I_{OL}$	MAX	4	4	4	mA

TIMING REQUIREMENTS AND SWITCHING CHARACTERISTICS

PARAMETER	INPUT	OUTPUT	MAX or MIN	SN74 HC	CD74 HC	CD74 HCT
$t_{wv}$	$\overline{LE}$ (LE)		MIN	20	22	45
$t_{wv}$	$\overline{LE}$ (LE)		MIN	25	30	30
$t_b$	$\overline{LE}$ (LE)		MIN	5	0	5
$t_{PLH}$	A0, 1, 2, 3 (A, B, C, D)	CD74HCT:Y ( $\overline{Y}$ )	MAX	58	83	83
$t_{PHL}$				58	83	83
$t_{PLH}$	$\overline{LE}$ (LE)	CD74HCT:Y ( $\overline{Y}$ )	MAX	58	68	75
$t_{PHL}$				58	68	75
$t_{PLH}$	$\overline{E}$ ( $\overline{G}$ )	CD74HCT:Y ( $\overline{Y}$ )	MAX	44	53	60
$t_{PHL}$				44	53	60

UNIT:ns

Logic Diagram



FUNCTION TABLE

INPUTS			OUTPUT STATE
CP	E	MR	
↑	H	L	Increment Counter
↓	X	L	Increment Counter
↓	X	L	No Change
H	↑	L	No Change
↑	L	L	No Change
H	↓	L	No Change
L	X	H	Q <sub>0</sub> thru Q <sub>3</sub> = L

ELECTRICAL CHARACTERISTICS AND RECOMMENDED OPERATING CONDITIONS

PARAMETER	MAX or MIN	CD74 HC	UNIT
I <sub>CC</sub>	MAX	0.16	mA
I <sub>OH</sub>	MAX	-4	mA
I <sub>OL</sub>	MAX	4	mA

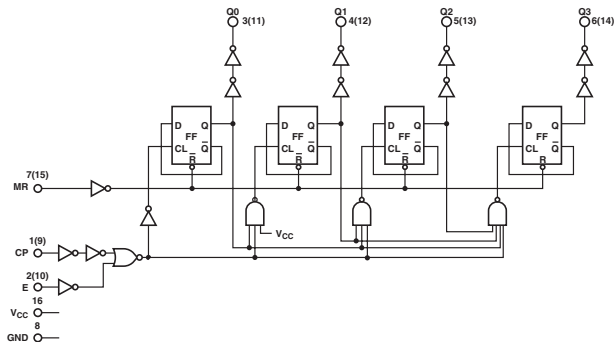
TIMING REQUIREMENTS AND SWITCHING CHARACTERISTICS

PARAMETER	INPUT	OUTPUT	MAX or MIN	CD74 HC
f <sub>max</sub>			MIN	20
t <sub>w</sub>	CP		MIN	24
	MR		MIN	30
t <sub>su</sub>	Enable to CP		MIN	24
	CP to Enable			24
t <sub>PLH</sub>	CP	Q <sub>n</sub>	MAX	72
t <sub>PHL</sub>				72
t <sub>PLH</sub>	Enable	Q <sub>n</sub>	MAX	72
t <sub>PHL</sub>				72
t <sub>PLH</sub>	MR	Q <sub>n</sub>	MAX	45
t <sub>PHL</sub>				45

UNIT f<sub>max</sub> : MHz other : ns

## DUAL SYNCHRONOUS COUNTERS

Logic Diagram



FUNCTION TABLE

INPUTS			OUTPUT STATE
CP	E	MR	
↑	H	L	Increment Counter
↓	↓	L	Increment Counter
↓	X	L	No Change
X	↑	L	No Change
↑	L	L	No Change
H	↓	L	No Change
X	X	H	Q <sub>0</sub> thru Q <sub>3</sub> = L

ELECTRICAL CHARACTERISTICS AND RECOMMENDED OPERATING CONDITIONS

PARAMETER	MAX or MIN	CD74 HC	CD74 HCT	UNIT
I <sub>CC</sub>	MAX	0.16	0.16	mA
I <sub>OH</sub>	MAX	-4	-4	mA
I <sub>OL</sub>	MAX	4	4	mA

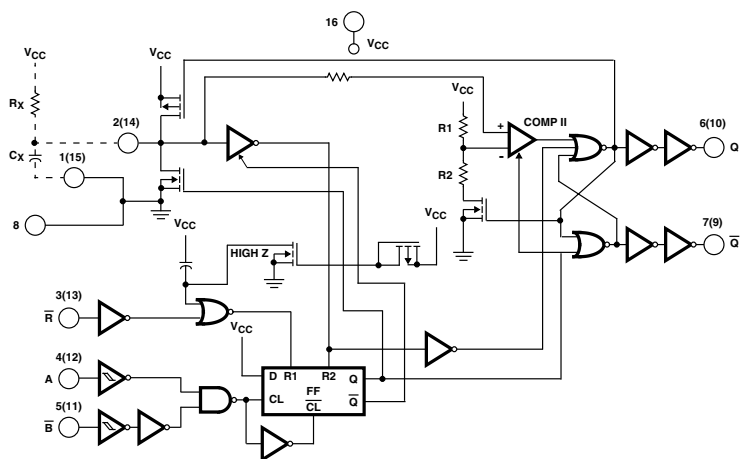
TIMING REQUIREMENTS AND SWITCHING CHARACTERISTICS

PARAMETER	INPUT	OUTPUT	MAX or MIN	CD74 HC	CD74 HCT
f <sub>max</sub>			MIN	20	17
t <sub>w</sub>	CP		MIN	24	30
	MR			30	30
t <sub>su</sub>	Enable to CP		MIN	24	24
	CP to Enable			24	-
t <sub>PLH</sub>	CP	Q <sub>n</sub>	MAX	72	80
t <sub>PHL</sub>			72	80	
t <sub>PLH</sub>	Enable	Q <sub>n</sub>	MAX	72	83
t <sub>PHL</sub>			72	83	
t <sub>PLH</sub>	MR	Q <sub>n</sub>	MAX	45	53
t <sub>PHL</sub>			45	53	

UNIT f<sub>max</sub>: MHz other: ns

## DUAL RETRIGGERABLE PRECISION MONO STABLE MULTIVIBRATOR

Logic Diagram



## FUNCTION TABLE

INPUTS			OUTPUTS	
$\bar{R}$	A	B	E	$\bar{Q}$
L	X	X	L	H
X	H	X	L	H
X	X	L	L	H
H	L	↓	JL	LJ
H	↑	H	JL	LJ

H = High Level, L = Low Level, ↑ = Transition from Low to High,  
 ↓ = Transition from High to Low, JL One High Level Pulse,  
 LJ One Low Level Pulse, X = Irrelevant.

### ELECTRICAL CHARACTERISTICS AND RECOMMENDED OPERATING CONDITIONS

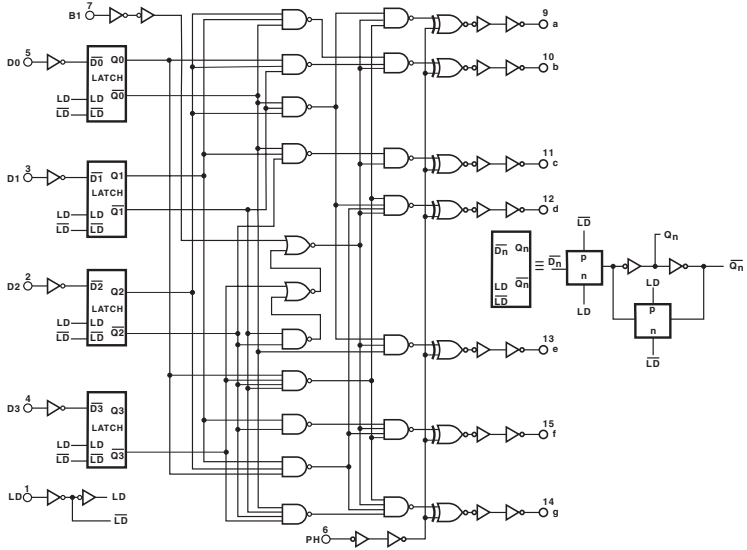
PARAMETER	MAX or MIN	CD74 HC	CD74 HCT	UNIT
I <sub>CC</sub>	MAX	0.16	0.16	mA
I <sub>OH</sub>	MAX	-4	-4	mA
I <sub>OL</sub>	MAX	4	4	mA

### TIMING REQUIREMENTS AND SWITCHING CHARACTERISTICS

PARAMETER	INPUT	OUTPUT	MAX or MIN	CD74 HC	CD74 HCT
t <sub>WH</sub>	A, $\bar{B}$		MIN	24	24
t <sub>WL</sub>	A, $\bar{B}$			24	24
t <sub>WL</sub>	$\bar{R}$			24	30
t <sub>PLH</sub>	$\bar{A}$ , B	Q	MAX	75	83
t <sub>PHL</sub>		$\bar{Q}$		75	83
t <sub>PLH</sub>	$\bar{R}$	Q	MAX	75	75
t <sub>PHL</sub>		$\bar{Q}$		75	60

UNIT:ns

Logic Diagram



FUNCTION TABLE

LD	B1	PH	D3	D2	D1	D0	a	b	c	d	e	f	g	Display
X	H	L	X	X	X	X	L	L	L	L	L	L	L	Blank
H	L	L	L	L	L	L	H	H	H	H	H	H	L	0
H	L	L	L	L	L	H	L	H	H	L	L	L	L	1
H	L	L	L	L	H	L	H	H	L	H	L	L	H	2
H	L	L	L	L	H	H	H	H	H	L	L	H	H	3
H	L	L	L	H	L	L	L	H	H	L	L	H	H	4
H	L	L	L	H	L	H	H	L	H	L	H	L	H	5
H	L	L	L	H	H	L	H	L	H	H	H	H	H	6
H	L	L	L	H	H	H	H	H	H	L	L	L	L	7
H	L	L	L	H	L	L	L	H	H	H	H	H	H	8
H	L	L	L	H	L	L	H	H	H	H	L	H	H	9
H	L	L	L	H	L	H	L	L	L	L	L	L	L	Blank
H	L	L	L	H	L	H	L	L	L	L	L	L	L	Blank
H	L	L	L	H	H	L	L	L	L	L	L	L	L	Blank
H	L	L	L	H	H	L	H	L	L	L	L	L	L	Blank
H	L	L	L	H	H	H	L	L	L	L	L	L	L	Blank
H	L	L	L	H	H	H	L	L	L	L	L	L	L	Blank
H	L	L	L	H	H	H	L	L	L	L	L	L	L	Blank
L	L	L	X	X	X	X								NOTE
as above		N			as above					inverse above				as above

NOTE:

Depends open the BCD code previously applied when LE = High

## ELECTRICAL CHARACTERISTICS AND RECOMMENDED OPERATING CONDITIONS

PARAMETER	MAX or MIN	CD74 HC	CD74 HCT	UNIT
I <sub>CC</sub>	MAX	0.16	0.16	mA
I <sub>OH</sub>	MAX	-1	-4	mA
I <sub>OL</sub>	MAX	1	4	mA

## TIMING REQUIREMENTS AND SWITCHING CHARACTERISTICS

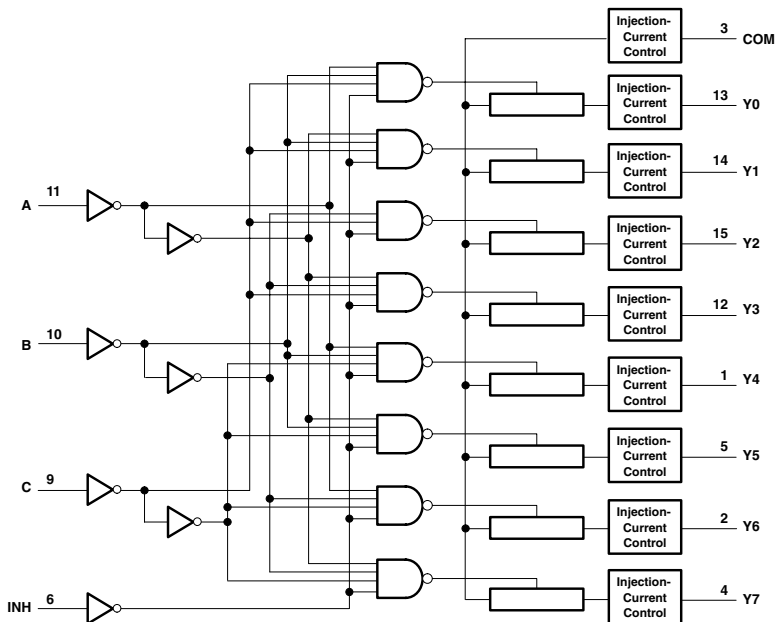
PARAMETER	INPUT	OUTPUT	MAX or MIN	CD74 HC	CD74 HCT
t <sub>w</sub>	Latch Disable		MIN	15	15
t <sub>su</sub>	Dn to LD		MIN	18	18
t <sub>h</sub>	Dn to LD		MIN	9	12
t <sub>PLH</sub>	Dn	a - g	MAX	102	120
t <sub>PHL</sub>				102	120
t <sub>PLH</sub>	LD	a - g	MAX	111	116
t <sub>PHL</sub>				111	116
t <sub>PLH</sub>	BI	a - g	MAX	80	99
t <sub>PHL</sub>				80	99
t <sub>PLH</sub>	PH	a - g	MAX	60	99
t <sub>PHL</sub>				60	99

UNIT:ns



# 8-CHANNEL ANALOG MULTIPLEXER/DEMULTIPLEXER WITH INJECTION-CURRENT EFFECT CONTROL

### Logic Diagram



### ELECTRICAL CHARACTERISTICS AND RECOMMENDED OPERATING CONDITIONS

PARAMETER	MAX or MIN	SN74 HC	UNIT
$I_{CC}$	MAX	0.01	mA
$R_{ON}$	MAX	250	$\Omega$

### SWITCHING CHARACTERISTICS

PARAMETER	INPUT	OUTPUT	MAX or MIN	SN74 HC
$t_{PLH}$	COM or $Y_n$	$Y_n$ or COM	MAX	12.5
$t_{PHL}$				12.5
$t_{PLH}$	INH	COM or $Y_n$	MAX	15
$t_{PHL}$				15
$t_{PLH}$	INH	COM or $Y_n$	MAX	90
$t_{PHL}$				90
$t_{PLH}$	INH	COM or $Y_n$	MAX	90
$t_{PHL}$				90

UNIT: ns

### FUNCTION TABLE

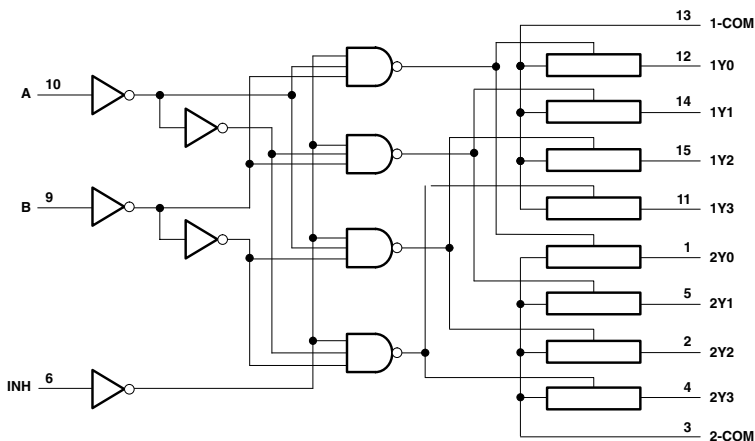
INPUTS				ON CHANNEL
INH	C	B	A	
L	L	L	L	Y0
L	L	L	H	Y1
L	L	H	L	Y2
L	L	H	H	Y3
L	H	L	L	Y4
L	H	L	H	Y5
L	H	H	L	Y6
L	H	H	H	Y7
H	X	X	X	None

# 4852

## DUAL 4-TO-1 CHANNEL ANALOG MULTIPLEXER/DEMULTIPLEXER WITH INJECTION-CURRENT EFFECT CONTROL

- Low Crosstalk Between Switches
- Pin Compatible with SN74HC4052

Logic Diagram



ELECTRICAL CHARACTERISTICS AND RECOMMENDED OPERATING CONDITIONS

PARAMETER	MAX or MIN	SN74 HC	UNIT
I <sub>CC</sub>	MAX	0.01	mA
R <sub>ON</sub>	MAX	270	Ω

FUNCTION TABLE

INPUTS			ON CHANNEL
INH	B	A	
L	L	L	1Y0, 2Y0
L	L	H	1Y1, 2Y1
L	H	L	1Y2, 2Y2
L	H	H	1Y3, 2Y3
H	X	X	None

SWITCHING CHARACTERISTICS

PARAMETER	INPUT	OUTPUT	MAX or MIN	SN74 HC
t <sub>PLH</sub>	COM or Y <sub>n</sub>	Y <sub>n</sub> or COM	MAX	12.5
				12.5
t <sub>PHL</sub>	Channel Select	COM or Y <sub>n</sub>	MAX	15
				15
t <sub>PLH</sub>	INH	COM or Y <sub>n</sub>	MAX	45
				45
t <sub>PHL</sub>	INH	COM or Y <sub>n</sub>	MAX	90
				90

UNIT: ns

## 5400

### 11-BIT LINE/MEMORY DRIVERS WITH 3-STATE OUTPUTS

- Output Ports Have Equivalent 25-Ω Series Resistors, So No External Resistors Are Required (SN74ABT5400A)

FUNCTION TABLE

INPUTS			INPUT
OE1	OE2	D	Y
L	L	L	L
L	L	H	H
H	X	X	Z
X	H	X	Z

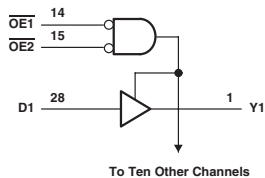
ELECTRICAL CHARACTERISTICS AND RECOMMENDED OPERATING CONDITIONS

PARAMETER	MAX or MIN	ABT	UNIT
I <sub>CC</sub>	MAX	45	mA
I <sub>OH</sub>	MAX	-12	mA
I <sub>OL</sub>	MAX	12	mA

SWITCHING CHARACTERISTICS

PARAMETER	INPUT	OUTPUT	MAX or MIN	ABT
t <sub>PLH</sub>	D	Y	MAX	6.2
t <sub>PHL</sub>				5.6
t <sub>PZH</sub>	$\overline{OE}$	Y	MAX	8.7
t <sub>PZL</sub>				7.5
t <sub>PHZ</sub>	$\overline{OE}$	Y	MAX	5.2
t <sub>PLZ</sub>				6.9

Logic Diagram



## 5401

### 11-BIT LINE/MEMORY DRIVERS WITH 3-STATE OUTPUTS

- Output Ports Have Equivalent 25-Ω Series Resistors, So No External Resistors Are Required (SN74ABT5401)

FUNCTION TABLE

INPUTS			OUTPUT
OE1	OE2	D	Y
L	L	L	H
L	L	H	L
H	X	X	Z
X	H	X	Z

ELECTRICAL CHARACTERISTICS AND RECOMMENDED OPERATING CONDITIONS

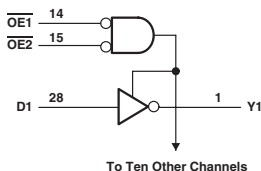
PARAMETER	MAX or MIN	ABT	UNIT
I <sub>CC</sub>	MAX	45	mA
I <sub>OH</sub>	MAX	-12	mA
I <sub>OL</sub>	MAX	12	mA

SWITCHING CHARACTERISTICS

PARAMETER	INPUT	OUTPUT	MAX or MIN	ABT
t <sub>PLH</sub>	D	Y	MAX	6.9
t <sub>PHL</sub>				5.7
t <sub>PZH</sub>	$\overline{OE}$	Y	MAX	8.5
t <sub>PZL</sub>				6.8
t <sub>PHZ</sub>	$\overline{OE}$	Y	MAX	5.2
t <sub>PLZ</sub>				6.9

UNIT: ns

Logic Diagram



## 5402

### 12-BIT LINE/MEMORY DRIVERS WITH 3-STATE OUTPUTS

- Output Ports Have Equivalent 25-Ω Series Resistors, So No External Resistors Are Required (SN74ABT5402A)

FUNCTION TABLE

INPUTS			OUTPUT
OE1	OE2	D	Y
L	L	L	L
L	L	H	H
H	X	X	Z
X	H	X	Z

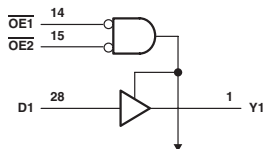
ELECTRICAL CHARACTERISTICS AND RECOMMENDED OPERATING CONDITIONS

PARAMETER	MAX or MIN	ABT	UNIT
I <sub>CC</sub>	MAX	48	mA
I <sub>OH</sub>	MAX	-12	mA
I <sub>OL</sub>	MAX	12	mA

SWITCHING CHARACTERISTICS

PARAMETER	INPUT	OUTPUT	MAX or MIN	ABT
t <sub>PLH</sub>	D	Y	MAX	6.2
				5.6
t <sub>PZH</sub>	$\overline{OE}$	Y	MAX	8.7
				7.5
t <sub>PZL</sub>	$\overline{OE}$	Y	MAX	5.2
				6.9

Logic Diagram



To Eleven Other Channels

## 5403

### 12-BIT LINE/MEMORY DRIVERS WITH 3-STATE OUTPUTS

- Output Ports Have Equivalent 25-Ω Series Resistors, So No External Resistors Are Required (SN74ABT5403)

FUNCTION TABLE

INPUTS			OUTPUT
OE1	OE2	D	Y
L	L	L	H
L	L	H	L
H	X	X	Z
X	H	X	Z

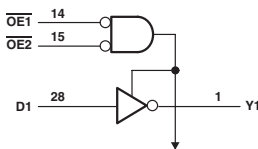
ELECTRICAL CHARACTERISTICS AND RECOMMENDED OPERATING CONDITIONS

PARAMETER	MAX or MIN	ABT	UNIT
I <sub>CC</sub>	MAX	45	mA
I <sub>OH</sub>	MAX	-12	mA
I <sub>OL</sub>	MAX	12	mA

SWITCHING CHARACTERISTICS

PARAMETER	INPUT	OUTPUT	MAX or MIN	ABT
t <sub>PLH</sub>	D	Y	MAX	6.9
				5.7
t <sub>PZH</sub>	$\overline{OE}$	Y	MAX	8.5
				6.8
t <sub>PZL</sub>	$\overline{OE}$	Y	MAX	5.2
				6.9

Logic Diagram



To 11 Other Channels

## 7001

### QUADRUPLE POSITIVE-AND GATES WITH SCHMITT-TRIGGER INPUTS

- Same Pinouts as SN74HC08
- $V_{CC}$ : 2V to 6V
- Schmitt-Triggered Inputs
- $Y = A \cdot B$

#### ELECTRICAL CHARACTERISTICS AND RECOMMENDED OPERATING CONDITIONS

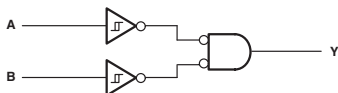
PARAMETER	MAX or MIN	SN74 HC	UNIT
$I_{CC}$	MAX	0.02	mA
$I_{OH}$	MAX	-4	mA
$I_{OL}$	MAX	4	mA

#### SWITCHING CHARACTERISTICS

PARAMETER	INPUT	OUTPUT	MAX or MIN	SN74 HC
$t_{PLH}$	A or B	Y	MAX	33
$t_{PHL}$				33

UNIT: ns

#### Logic Diagram



## 7002

### QUADRUPLE POSITIVE-NOR GATES WITH SCHMITT-TRIGGER INPUTS

- Same Pinouts as SN74HC36
- $V_{CC}$ : 2V to 6V
- Schmitt-Triggered Inputs
- $Y = \overline{A + B}$

#### ELECTRICAL CHARACTERISTICS AND RECOMMENDED OPERATING CONDITIONS

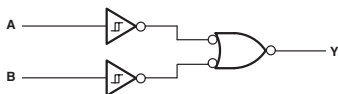
PARAMETER	MAX or MIN	SN74 HC	UNIT
$I_{CC}$	MAX	0.02	mA
$I_{OH}$	MAX	-4	mA
$I_{OL}$	MAX	4	mA

#### SWITCHING CHARACTERISTICS

PARAMETER	INPUT	OUTPUT	MAX or MIN	SN74 HC
$t_{PLH}$	A or B	Y	MAX	33
$t_{PHL}$				33

UNIT: ns

#### Logic Diagram

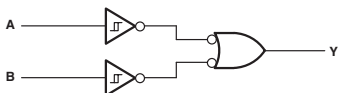


## 7032

### QUADRUPLE POSITIVE-OR GATES WITH SCHMITT-TRIGGER INPUTS

- Same Pinouts as SN74HC32
- $V_{CC}$ : 2V to 6V
- Schmitt-Triggered Inputs
- $Y = A + B$

#### Logic Diagram



#### ELECTRICAL CHARACTERISTICS AND RECOMMENDED OPERATING CONDITIONS

PARAMETER	MAX or MIN	SN74 HC	UNIT
$I_{CC}$	MAX	0.02	mA
$I_{OH}$	MAX	-4	mA
$I_{OL}$	MAX	4	mA

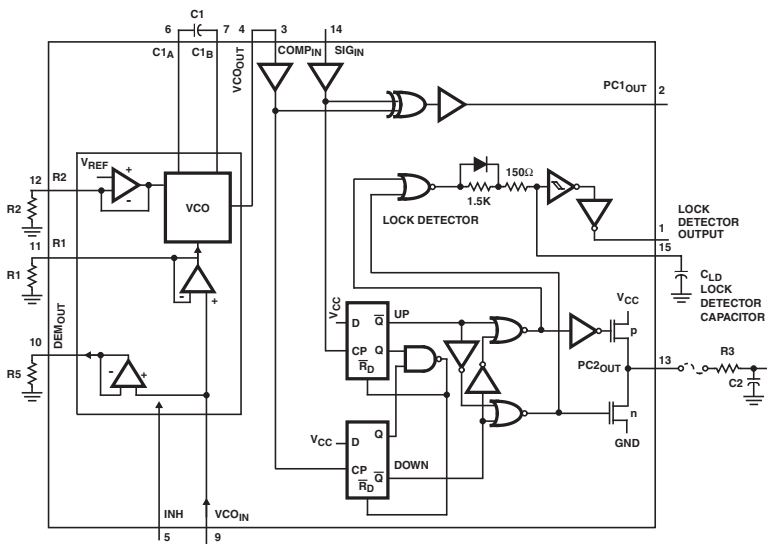
#### SWITCHING CHARACTERISTICS

PARAMETER	INPUT	OUTPUT	MAX or MIN	SN74 HC
$t_{PLH}$	A or B	Y	MAX	33
$t_{PHL}$				33

UNIT: ns

## PHASE-LOCKED LOOP WITH VCO AND LOCK DETECTOR

Logic Diagram



## ELECTRICAL CHARACTERISTICS AND RECOMMENDED OPERATING CONDITIONS

PARAMETER	MAX or MIN	CD74 HC	CD74 HCT	UNIT
$I_{CC}$	MAX	0.16	0.16	mA
$I_{OH}$	MAX	-4	-4	mA
$I_{OL}$	MAX	4	4	mA

## SWITCHING CHARACTERISTICS

PARAMETER	INPUT	OUTPUT	MAX or MIN	CD74 HC	CD74 HCT
$t_{PLH}$	SIGIN, COMPIN	PC1OUT	MAX	60	68
$t_{PHL}$				60	68
$t_{PZH}$	SIGIN, COMPIN	PC2OUT	MAX	84	90
$t_{PZL}$				84	90
$t_{PHZ}$	SIGIN, COMPIN	PC2OUT	MAX	98	105
$t_{PLZ}$				98	105

UNIT:ns

## QUAD 2-INPUT EXCLUSIVE-NOR GATES

$$Y = A \oplus B$$

FUNCTION TABLE

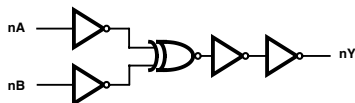
INPUTS		OUTPUT
A	B	Y
L	L	H
L	H	L
H	L	L
H	H	H

NOTES:

H = High Voltage Level

L = Low Voltage Level

Logic Diagram



ELECTRICAL CHARACTERISTICS AND RECOMMENDED OPERATING CONDITIONS

PARAMETER	MAX or MIN	SN74 HC	CD74 HC	UNIT
I <sub>CC</sub>	MAX	0.02	0.04	mA
I <sub>OH</sub>	MAX	-4	-4	V
I <sub>OL</sub>	MAX	4	4	V

SWITCHING CHARACTERISTICS

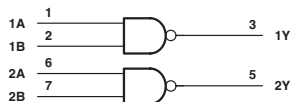
PARAMETER	INPUT	OUTPUT	MAX or MIN	SN74 HC	CD74 HC
t <sub>PLH</sub>	A or B	Y	MAX	25	35
t <sub>PHL</sub>		Y	MAX	25	35

UNIT: ns

## 8003

## DUAL 2-INPUT POSITIVE-NAND GATES

Logic Diagram



ELECTRICAL CHARACTERISTICS AND RECOMMENDED OPERATING CONDITIONS

PARAMETER	MAX or MIN	ALS	AS	UNIT
I <sub>CC</sub>	MAX	1.5	8.7	mA
I <sub>OH</sub>	MAX	-0.4	-2	mA
I <sub>OL</sub>	MAX	8	20	mA

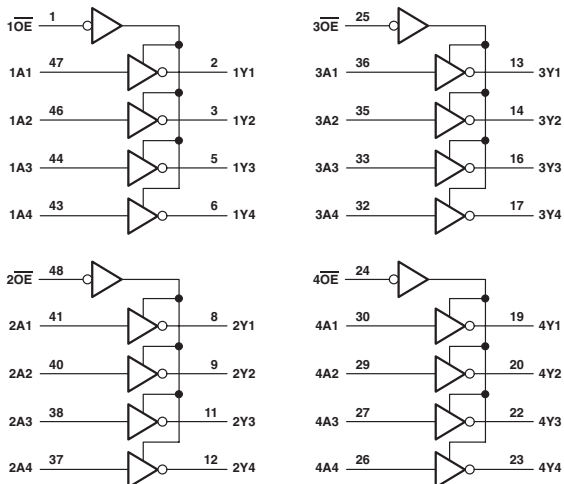
SWITCHING CHARACTERISTICS

PARAMETER	INPUT	OUTPUT	MAX or MIN	ALS	AS
t <sub>PLH</sub>	A or B	Y	MAX	11	4.5
t <sub>PHL</sub>				8	4

UNIT: ns



Logic Diagram



**FUNCTION TABLE**  
(each 4-bit buffer)

INPUTS		OUTPUT
OE	A	Y
L	H	L
L	L	H
H	X	Z

**ELECTRICAL CHARACTERISTICS AND RECOMMENDED OPERATING CONDITIONS**

PARAMETER	MAX or MIN	ABT	LVT 3V	LVTH 3V	ALVTH 3V	AC	ACT	AHC	AHCT	LVCH 3V	LVCZ 3V	ALVCH 3V	UNIT
I <sub>CC</sub>	MAX	34	5	5	5	0.08	0.08	0.04	0.04	0.02	0.1	0.04	mA
I <sub>OH</sub>	MAX	-32	-32	-32	-32	-24	-24	-8	-8	-24	-24	-24	mA
I <sub>OL</sub>	MAX	64	64	64	64	24	24	8	8	24	24	24	mA

PARAMETER	MAX or MIN	AUC 1.8V	AUC 2.3V	UNIT
I <sub>CC</sub>	MAX	0.02	0.02	mA
I <sub>OH</sub>	MAX	-8	-9	mA
I <sub>OL</sub>	MAX	8	9	mA

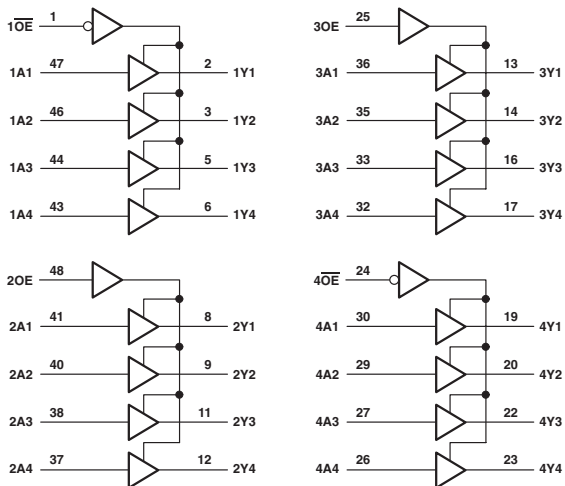
**SWITCHING CHARACTERISTICS**

PARAMETER	INPUT	OUTPUT	MAX or MIN	ABT	LVT 3V	LVTH 3V	ALVTH 3V	AC	ACT	AHC	AHCT
t <sub>PLH</sub>	A	Y	MAX	4.7	3.5	3.5	3.3	5.8	8.5	8.5	10.5
t <sub>PHL</sub>				4.8	3.5	3.5	3.2	7.1	10.2	8.5	10.5
t <sub>PZH</sub>	$\overline{0E}$	Y	MAX	5.3	4	4	3.7	6.6	9.4	10.5	13
t <sub>PZL</sub>				7.1	4.4	4.4	3.1	8.1	11.4	10.5	13
t <sub>PHZ</sub>	$\overline{0E}$	Y	MAX	6.1	4.5	4.5	5	8.1	12	10.5	13
t <sub>PLZ</sub>				5.6	4.2	4.2	4.1	7.3	10.7	10.5	13

PARAMETER	INPUT	OUTPUT	MAX or MIN	LVCH 3V	LVCZ 3V	ALVCH 3V	AUC 1.8V	AUC 2.3V
t <sub>PLH</sub>	A	Y	MAX	4.2	4.2	3.9	2.0	1.6
t <sub>PHL</sub>				4.2	4.2	3.9	2.0	1.6
t <sub>PZH</sub>	$\overline{0E}$	Y	MAX	4.7	4.7	5	2.5	2
t <sub>PZL</sub>				4.7	4.7	5	2.5	2
t <sub>PHZ</sub>	$\overline{0E}$	Y	MAX	5.9	5.9	4.4	4.5	2.3
t <sub>PLZ</sub>				5.9	5.9	4.4	4.5	2.3

UNIT: ns

Logic Diagram



**FUNCTION TABLE**

INPUTS		OUTPUTS
1OE, 4OE	1A, 4A	1Y, 4Y
L	H	L
L	L	H
H	X	Z

INPUTS		OUTPUTS
2OE, 3OE	2A, 3A	2Y, 3Y
H	H	H
H	L	L
L	X	Z

**ELECTRICAL CHARACTERISTICS AND RECOMMENDED OPERATING CONDITIONS**

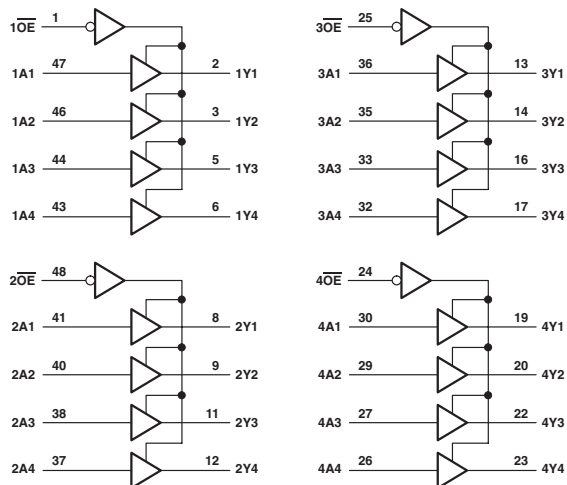
PARAMETER	MAX or MIN	ABT	LVTH 3V	ACT	UNIT
I <sub>CC</sub>	MAX	34	5	0.08	mA
I <sub>OH</sub>	MAX	-32	-32	-24	mA
I <sub>OL</sub>	MAX	64	64	24	mA

**SWITCHING CHARACTERISTICS**

PARAMETER	INPUT	OUTPUT	MAX or MIN	ABT	LVTH 3V	ACT
t <sub>PLH</sub>	A	Y	MAX	3.7	3.5	9.5
t <sub>PHL</sub>				4.5	3.5	9.1
t <sub>PZH</sub>	$\overline{0E}$ or OE	Y	MAX	5	4.5	9.4
t <sub>PZL</sub>				6.9	4.5	10.5
t <sub>PHZ</sub>	$\overline{0E}$ or OE	Y	MAX	6.2	5.3	11.6
t <sub>PHZ</sub>				5.6	4.9	10.7

UNIT: ns

Logic Diagram



**FUNCTION TABLE**  
(each buffer)

INPUTS		OUTPUT
OE	A	Y
L	H	H
L	L	L
H	X	Z

**ELECTRICAL CHARACTERISTICS AND RECOMMENDED OPERATING CONDITIONS**

PARAMETER	MAX or MIN	ABT	ABTH	LVT 3V	LVTH 3V	ALB 3V	ALVTH 3V	AC	ACT	AHC	AHCT	LVC 3V	UNIT
I <sub>CC</sub>	MAX	32	32	5	5	5.6	5	0.08	0.08	0.04	0.04	0.02	mA
I <sub>OH</sub>	MAX	-32	-32	-32	-32	-25	-32	-24	-24	-8	-8	-24	mA
I <sub>OL</sub>	MAX	64	64	64	64	25	64	24	24	8	8	24	mA

PARAMETER	MAX or MIN	LVCH 3V	LVCZ 3V	ALVC 3V	ALVCH 3V	AVC 3V	AUC 1.8V	AUC 2.3V	AUCH 1.8V	AUCH 2.3V	UNIT
I <sub>CC</sub>	MAX	0.02	0.1	0.04	0.04	0.04	0.02	0.02	0.02	0.02	mA
I <sub>OH</sub>	MAX	-24	-24	-24	-24	-12	-8	-9	-8	-9	mA
I <sub>OL</sub>	MAX	24	24	24	24	12	8	9	8	9	mA

**SWITCHING CHARACTERISTICS**

PARAMETER	INPUT	OUTPUT	MAX or MIN	ABT	ABTH	LVT 3V	LVTH 3V	ALB 3V	ALVTH 3V	AC	ACT
t <sub>PLH</sub>	A	Y	MAX	3.5	3.5	3.2	3.2	2	2.4	7.1	9.4
t <sub>PHL</sub>				4.1	4.1	3.2	3.2	2	2.5	7.9	9.5
t <sub>PZH</sub>	OE	Y	MAX	4.8	4.8	4	4	4.7	3.8	7.5	8.9
t <sub>PZL</sub>				4.8	4.8	4	4	4.7	2.9	9	10.3
t <sub>PHZ</sub>	OE	Y	MAX	4.8	4.8	4.5	4.5	4.2	4.2	8.4	11.3
t <sub>PLZ</sub>				4.1	4.1	4.2	4.2	3.6	7.6	10.3	

PARAMETER	INPUT	OUTPUT	MAX or MIN	AHC	AHCT	LVC 3V	LVCH 3V	LVCZ 3V	ALVC 3V	ALVCH 3V	AVC 3V
t <sub>PLH</sub>	A	Y	MAX	8.5	10.5	4.1	4.1	4.1	3	3	1.7
t <sub>PHL</sub>				8.5	10.5	4.1	4.1	4.1	3	3	1.7
t <sub>PZH</sub>	OE	Y	MAX	10.5	13	4.6	4.6	4.6	4.4	4.4	3.5
t <sub>PZL</sub>				10.5	13	4.6	4.6	4.4	4.4	3.5	
t <sub>PHZ</sub>	OE	Y	MAX	10.5	13	5.8	5.8	5.8	4.1	4.1	3.5
t <sub>PLZ</sub>				10.5	13	5.8	5.8	4.1	4.1	3.5	

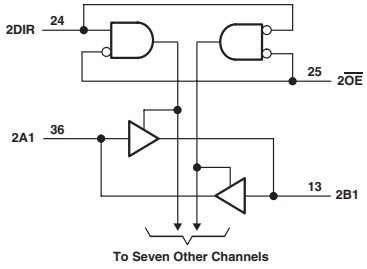
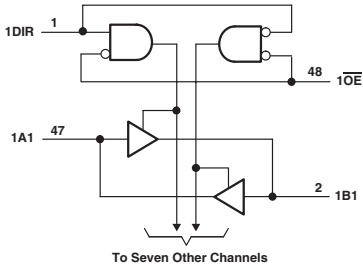
PARAMETER	INPUT	OUTPUT	MAX or MIN	AUC 1.8V	AUC 2.3V	AUCH 1.8V	AUCH 2.3V
t <sub>PLH</sub>	A	Y	MAX	1.8	1.8	1.8	1.8
t <sub>PHL</sub>				1.8	1.8	1.8	1.8
t <sub>PZH</sub>	OE	Y	MAX	2.5	1.9	2.5	1.9
t <sub>PZL</sub>				2.5	1.9	2.5	1.9
t <sub>PHZ</sub>	OE	Y	MAX	4.0	2	4.0	2
t <sub>PLZ</sub>				4.0	2	4.0	2

UNIT: ns

# 16245

## 16-BIT BUS TRANSCEIVER WITH 3-STATE OUTPUTS

Logic Diagram



**FUNCTION TABLE**  
(each 8-bit section)

INPUTS		OPERATION
OE	DIR	
L	L	B data to A bus
L	H	A data to B bus
H	X	Isolation

**ELECTRICAL CHARACTERISTICS AND RECOMMENDED OPERATING CONDITIONS**

PARAMETER	MAX or MIN	ABT	ABTH	LVT 3V	LVTH 3V	ALB 3V	ALVTH 3V	ALVT HR 3V	AC	ACT	AHCT	UNIT
I <sub>CC</sub>	MAX	32	32	5	5	5.6	5	5	0.08	0.08	0.04	mA
I <sub>OH</sub>	MAX	-32	-32	-32	-32	-25	-32	-12	-24	-24	-8	mA
I <sub>OL</sub>	MAX	64	64	64	64	25	64	12	24	24	8	mA

PARAMETER	MAX or MIN	LVC 3V	LVCH 3V	LVCHR 3V	LVCR 3V	LVCZ 3V	ALVCH 3V	ALVC HR 3V	AVC 3V	AUC 1.8V	AUC 2.3V	UNIT
I <sub>CC</sub>	MAX	0.02	0.02	0.02	0.02	0.06	0.04	0.04	0.04	0.02	0.02	mA
I <sub>OH</sub>	MAX	-24	-24	-12	-12	-24	-24	-12	-12	-8	-9	mA
I <sub>OL</sub>	MAX	24	24	12	12	24	24	12	12	8	9	mA

**SWITCHING CHARACTERISTICS**

PARAMETER	INPUT	OUTPUT	MAX or MIN	ABT	ABTH	LVT 3V	LVTH 3V	ALB 3V	ALVTH 3V	ALVT HR 3V	AC
t <sub>PLH</sub>	A or B	B or A	MAX	3.9	3.9	3.3	3.3	2	3.1	3.7	7.9
t <sub>PHL</sub>				4.2	4.2	3.3	3.3	2	2.9	3.9	8.9
t <sub>PZH</sub>	$\overline{OE}$	B or A	MAX	6.3	6.3	4.5	4.5	6	4.2	5.2	8.6
t <sub>PZL</sub>				6.4	6.4	4.6	4.6	6	3.5	4	10.7
t <sub>PHZ</sub>	$\overline{OE}$	B or A	MAX	6.3	6.3	5.1	5.1	4.2	5.3	5.1	9.8
t <sub>PLZ</sub>				5.2	5.2	5.1	5.1	4.2	5	4.8	8.7

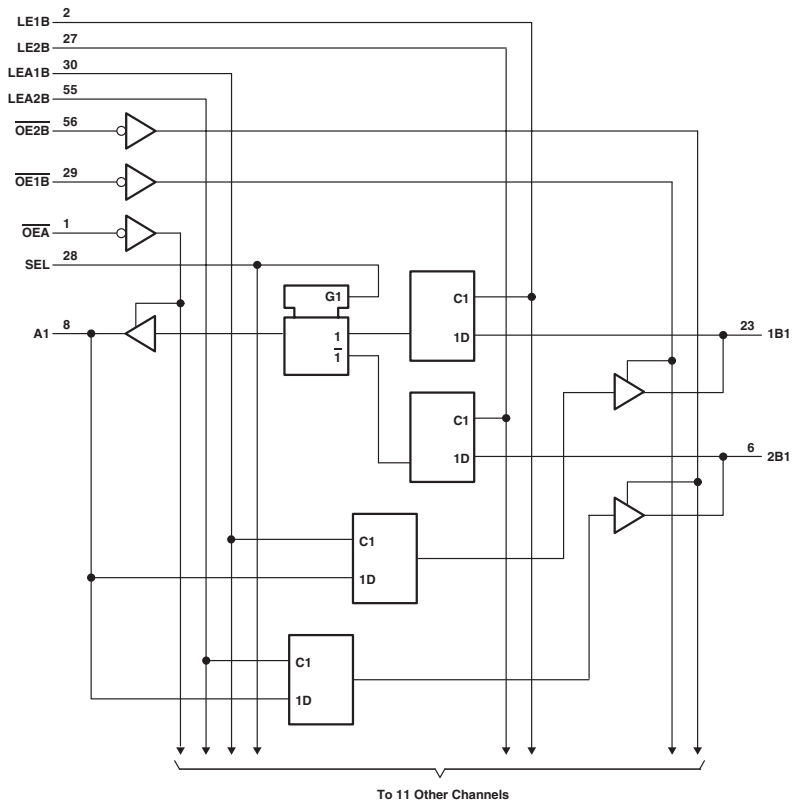
PARAMETER	INPUT	OUTPUT	MAX or MIN	ACT	AHCT	LVC 3V	LVCH 3V	LVCHR 3V	LVCR 3V	LVCZ 3V	ALVCH 3V
t <sub>PLH</sub>	A or B	B or A	MAX	10.5	10.5	4	4	4.8	4.8	4	3
t <sub>PHL</sub>				10.2	10.5	4	4	4.8	4.8	4	3
t <sub>PZH</sub>	$\overline{OE}$	B or A	MAX	10	15	5.5	5.5	6.3	6.3	5.6	4.4
t <sub>PZL</sub>				11.6	15	5.5	5.5	6.3	6.3	5.6	4.4
t <sub>PHZ</sub>	$\overline{OE}$	B or A	MAX	12.6	15	6.6	6.6	7.4	7.4	6.6	4.1
t <sub>PLZ</sub>				11.8	15	6.6	6.6	7.4	7.4	6.6	4.1

PARAMETER	INPUT	OUTPUT	MAX or MIN	ALVC HR 3V	AVC 3V	AUC 1.8V	AUC 2.3V
t <sub>PLH</sub>	A or B	B or A	MAX	4.2	1.7	2	1.9
t <sub>PHL</sub>				4.2	1.7	2	1.9
t <sub>PZH</sub>	$\overline{OE}$	B or A	MAX	5.6	3.7	3.1	2.6
t <sub>PZL</sub>				5.6	3.7	3.1	2.6
t <sub>PHZ</sub>	$\overline{OE}$	B or A	MAX	5.5	3.9	4.8	2.9
t <sub>PLZ</sub>				5.5	3.9	4.8	2.9

UNIT: ns



Logic Diagram



**FUNCTION TABLE**
**B TO A ( $\overline{OE}B = H$ )**

INPUTS						OUTPUT
1B	2B	SEL	LE1B	LE2B	OE $\overline{A}$	A
H	X	H	H	X	L	H
L	X	H	H	X	L	L
X	X	H	L	X	L	A <sub>0</sub>
X	H	L	X	H	L	H
X	L	L	X	H	L	L
X	X	L	X	L	L	A <sub>0</sub>
X	X	X	X	X	H	Z

**A TO B ( $\overline{OE}A = H$ )**

INPUTS					OUTPUTS	
1B	LEA1B	LEA2B	OE1B	OE2B	1B	2B
H	H	H	L	L	H	H
L	H	H	L	L	L	L
H	H	L	L	L	H	2B <sub>0</sub>
L	H	L	L	L	L	2B <sub>0</sub>
H	L	H	L	L	1B <sub>0</sub>	H
L	L	H	L	L	1B <sub>0</sub>	L
X	L	L	L	L	1B <sub>0</sub>	2B <sub>0</sub>
X	X	X	H	H	Z	Z
X	X	X	L	H	Active	Z
X	X	X	H	L	Z	Active
X	X	X	L	L	Active	Active

**ELECTRICAL CHARACTERISTICS AND RECOMMENDED OPERATING CONDITIONS**

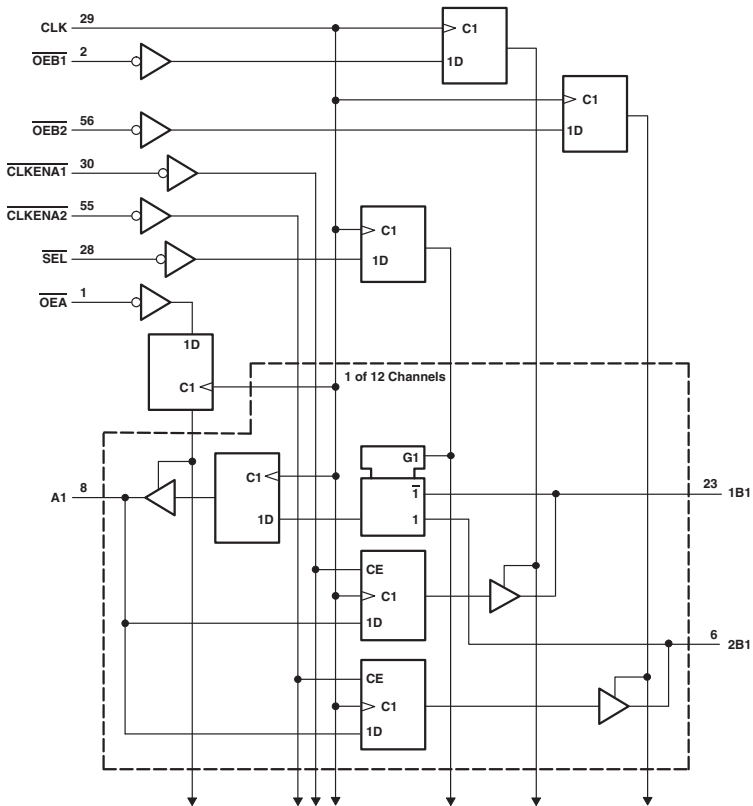
PARAMETER	MAX or MIN	ABTH	ALVCH 3V	UNIT
I <sub>CC</sub>	MAX	63	0.04	mA
I <sub>OH</sub>	MAX	-32	-24	mA
I <sub>OL</sub>	MAX	64	24	mA

**TIMING REQUIREMENTS AND SWITCHING CHARACTERISTICS**

PARAMETER	INPUT	OUTPUT	MAX or MIN	ABTH	ALVCH 3V
t <sub>w</sub> Pulse duration, LE1B, LE2B, LEA1B, or LEA2B high			MIN	3.3	3.3
t <sub>su</sub> Setup time, data before LE1B, LE2B, LEA1B, or LEA2B ↓			MIN	1.5	1.1
t <sub>h</sub> Hold time, data after LE1B, LE2B, LEA1B, or LEA2B ↓			MIN	1	1.5
t <sub>PLH</sub>	A or B	B or A	MAX	5.6	4.3
t <sub>PHL</sub>				5.9	4.3
t <sub>PLH</sub>	LE	A or B	MAX	5.8	4.4
t <sub>PHL</sub>				5.3	4.4
t <sub>PLH</sub>	SEL (B1)	A	MAX	5.3	5.6
t <sub>PHL</sub>				6	5.6
t <sub>PLH</sub>	SEL (B2)		MAX	4.4	5.6
t <sub>PHL</sub>	SEL (B1)			5.9	5.6
t <sub>PLH</sub>	SEL (B2)	A or B	MAX	5.7	5.4
t <sub>PHL</sub>				5.8	5.4
t <sub>PHZ</sub>	$\overline{OE}$	A or B	MAX	6.4	4.6
t <sub>PLZ</sub>				4.8	4.6

UNIT: ns

Logic Diagram



## FUNCTION TABLE

### OUTPUT ENABLE

INPUTS			OUTPUTS	
CLK	OE $\bar{A}$	OE $\bar{B}$	A	1B,2B
↑	H	H	Z	Z
↑	H	L	Z	Active
↑	L	H	Active	Z
↑	L	L	Active	Active

### A-TO-B STORAGE (OE $\bar{B}$ = L)

INPUTS				OUTPUTS	
CLKENA1	CLKENA2	CLK	A	1B	2B
H	H	X	X	1B $\uparrow$	2B $\uparrow$
L	X	↑	L	L	X
L	X	↑	H	H	X
X	L	↑	L	X	L
X	L	↑	H	X	H

† Output level before the indicated steady-state input conditions were established

### B-TO-A STORAGE (OE $\bar{A}$ = L)

INPUTS				OUTPUT
CLK	SEL	1B	2B	A
X	H	X	X	A $\uparrow$
X	L	X	X	A $\uparrow$
↑	H	H	X	L
↑	H	L	X	H
↑	L	X	L	L
↑	L	X	H	H

† Output level before the indicated steady-state input conditions were established

## ELECTRICAL CHARACTERISTICS AND RECOMMENDED OPERATING CONDITIONS

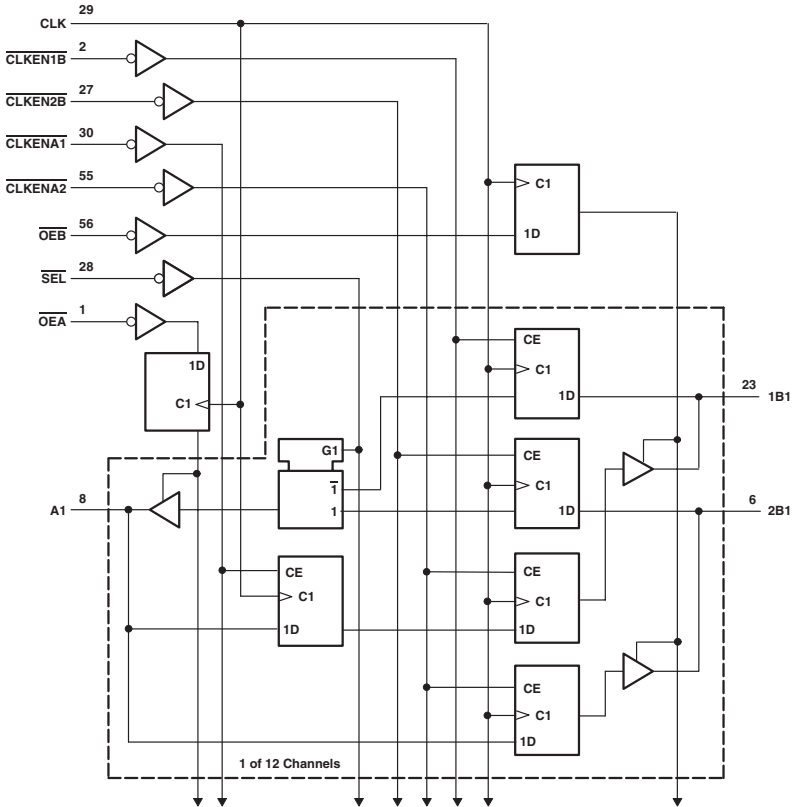
PARAMETER	MAX or MIN	ALVCH 3V	ALVCHR 3V	AVC 3V	UNIT
I <sub>CC</sub>	MAX	0.04	0.04	0.04	mA
I <sub>OH</sub>	MAX	-24	-12	-12	mA
I <sub>OL</sub>	MAX	24	12	12	mA

## TIMING REQUIREMENTS AND SWITCHING CHARACTERISTICS

PARAMETER	INPUT	OUTPUT	MAX or MIN	ALVCH 3V	ALVCHR 3V	AVC 3V
f <sub>max</sub>			MIN	135	135	175
t <sub>w</sub> Pulse duration, CLK high or low			MIN	3.3	3.3	3.5
t <sub>su</sub> Setup time	A data before CLK ↑		MIN	1.7	1	1.9
	B data before CLK ↑		MIN	1.8	1.1	1.9
	SEL before CLK ↑		MIN	1.3	1.3	1.3
	CLKENAT or CLKENA2 before CLK ↑		MIN	0.9	0.8	1.1
	OE before CLK ↑		MIN	1.3	1.2	1.1
t <sub>h</sub> Hold time	A data after CLK ↑		MIN	0.6	1.2	1
	B data after CLK ↑		MIN	0.6	1	0.7
	SEL after CLK ↑		MIN	0.7	1.7	0.4
	CLKENAT or CLKENA2 after CLK ↑		MIN	1.1	1.6	1
	OE after CLK ↑		MIN	0.8	1.2	0.3
t <sub>pd</sub>	CLK	B	MAX	6.2	5.8	3
		A		5	5.2	2.7
t <sub>en</sub>	CLK	B	MAX	6.1	5.8	3.8
		A		5.9	5.3	3.4
t <sub>fis</sub>	CLK	B	MAX	6.1	6	3.7
		A		5.6	6	3.4

UNIT f<sub>max</sub> : MHz other : ns

Logic Diagram



## FUNCTION TABLE

### OUTPUT ENABLE

INPUTS			OUTPUTS	
CLK	OEA	OEB	A	1B,2B
↑	H	H	Z	Z
↑	H	L	Z	Active
↑	L	H	Active	Z
↑	L	L	Active	Active

### A-TO-B STORAGE ( $\overline{OEB} = L$ )

INPUTS			OUTPUTS		
CLKENA1	CLKENA2	CLK	A	1B	2B
L	H	↑	L	L <sup>†</sup>	2B <sub>0</sub> <sup>†</sup>
L	H	↑	H	H <sup>†</sup>	2B <sub>0</sub> <sup>†</sup>
L	L	↑	L	L <sup>†</sup>	L
L	L	↑	H	H <sup>†</sup>	H
H	L	↑	L	1B <sub>0</sub> <sup>†</sup>	L
H	L	↑	H	1B <sub>0</sub> <sup>†</sup>	H
H	H	X	X	1B <sub>0</sub> <sup>†</sup>	2B <sub>0</sub> <sup>†</sup>

<sup>†</sup> Two CLK edges are needed to propagate data.

<sup>†</sup> Output level before the indicated steady-state input conditions were established

### B-TO-A STORAGE ( $\overline{OEA} = L$ )

INPUTS					OUTPUT	
CLKEN1B	CLKEN2B	CLK	SEL	1B	2B	A
H	X	X	H	X	X	A <sub>0</sub> <sup>†</sup>
X	H	X	L	X	X	A <sub>0</sub> <sup>†</sup>
L	X	↑	H	H	X	L
L	X	↑	L	L	X	H
X	L	↑	L	X	L	L
X	L	↑	L	X	H	H

<sup>†</sup> Output level before the indicated steady-state input conditions were established

## ELECTRICAL CHARACTERISTICS AND RECOMMENDED OPERATING CONDITIONS

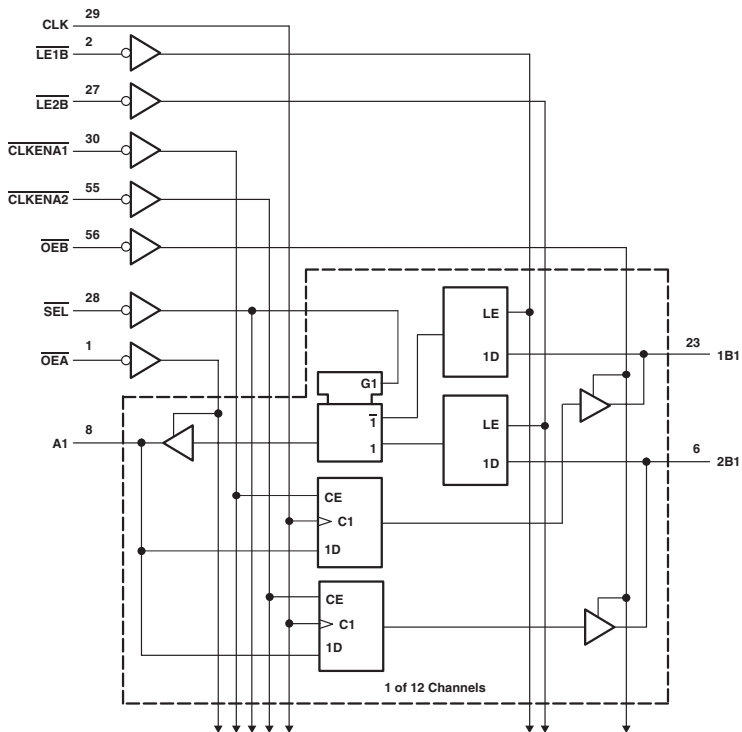
PARAMETER	MAX or MIN	ALVCH 3V	UNIT
I <sub>CC</sub>	MAX	0.04	mA
I <sub>OH</sub>	MAX	-24	mA
I <sub>OL</sub>	MAX	24	mA

## TIMING REQUIREMENTS AND SWITCHING CHARACTERISTICS

PARAMETER	INPUT	OUTPUT	MAX or MIN	ALVCH 3V
t <sub>max</sub>			MIN	150
t <sub>w</sub>	Pulse duration, CLK high or low		MIN	3.3
t <sub>su</sub>	Setup time	A data before CLK ↑	MIN	3.1
		B data before CLK ↑	MIN	0.9
		CLKENA1 or CLKENA2 before CLK ↑	MIN	2.7
		CLKEN1B or CLKEN2B before CLK ↑	MIN	2.6
		$\overline{OE}$ before CLK ↑	MIN	3.2
t <sub>h</sub>	Hold time	A data after CLK ↑	MIN	0.2
		B data after CLK ↑	MIN	1.7
		CLKENA1 or CLKENA2 after CLK ↑	MIN	0.3
		CLKEN1B or CLKEN2B after CLK ↑	MIN	0.6
		$\overline{OE}$ after CLK ↑	MIN	0.1
t <sub>pd</sub>	CLK	A or B	MAX	5.1
	$\overline{SEL}$	A	MAX	4.7
t <sub>en</sub>	CLK	A or B	MAX	5.5
				6
t <sub>dis</sub>	CLK	A or B	MAX	6
				5.8
				5.8

UNIT f<sub>max</sub> : MHz other : ns

Logic Diagram



## FUNCTION TABLE

### OUTPUT ENABLE

INPUTS		OUTPUTS	
OEA	OEB	A	1B, 2B
H	X	Z	Z
L	L	Z	Active
L	H	Active	Z
L	L	Active	Active

### A-TO-B STORAGE ( $\overline{OEB} = L$ )

INPUTS				OUTPUTS	
CLKENA1	CLKENA2	CLK	A	1B	2B
H	H	X	X	1B <sub>0</sub> †	2B <sub>0</sub> †
L		X	↑	L	X
L		X	↑	H	X
X		L	↑	L	X
X		L	↑	H	A <sub>0</sub>

### B-TO-A STORAGE ( $\overline{OEA} = L$ )

INPUTS				OUTPUTA
LE	SEL	1B	2B	
H	X	X	X	A <sub>0</sub> †
H	X	X	X	A <sub>0</sub> †
L	H	L	X	L
L	H	H	X	H
L	L	X	L	L
L	L	X	H	H

† Output level before the indicated steady-state input conditions were established

## ELECTRICAL CHARACTERISTICS AND RECOMMENDED OPERATING CONDITIONS

PARAMETER	MAX or MIN	ALVCH 3V	UNIT
I <sub>CC</sub>	MAX	0.04	mA
I <sub>OH</sub>	MAX	-24	mA
I <sub>OL</sub>	MAX	24	mA

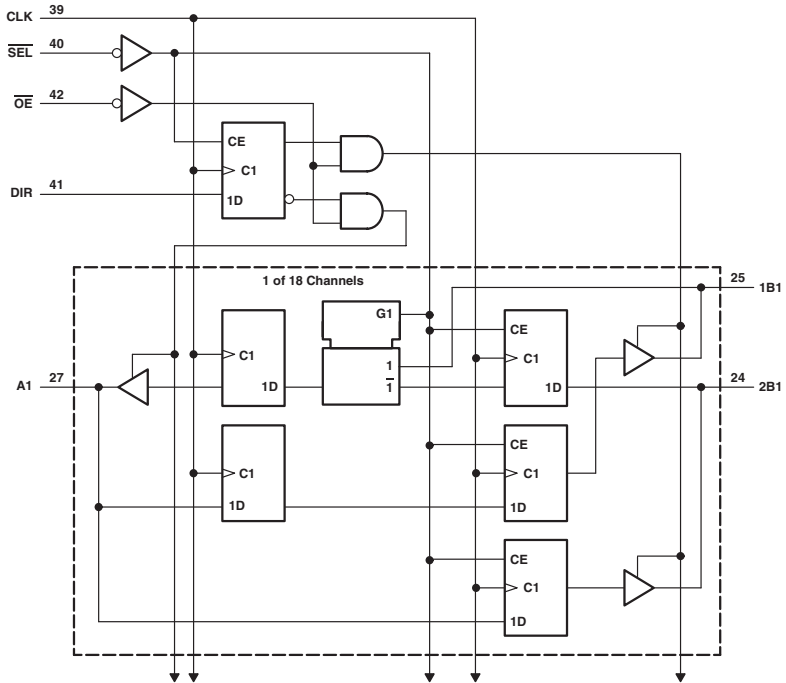
## TIMING REQUIREMENTS AND SWITCHING CHARACTERISTICS

PARAMETER	INPUT	OUTPUT	MAX or MIN	ALVCH 3V
f <sub>max</sub>			MIN	130
t <sub>w</sub> Pulse duration, CLK high or low			MIN	3.3
t <sub>su</sub> Setup time	A before CLK ↑		MIN	1.7
	B before $\overline{LE}$		MIN	1.3
	CLKEN before CLK ↑		MIN	1
t <sub>h</sub> Hold time	A after CLK ↑		MIN	0.7
	B after $\overline{LE}$		MIN	1.1
	CLKEN after CLK ↑		MIN	0.9
t <sub>pd</sub>	CLK	B	MAX	4.3
	B	A	MAX	4
	$\overline{LE}$			4.8
	$\overline{SEL}$			5.2
t <sub>en</sub>	$\overline{OEB}$ or $\overline{OEA}$	B or A	MAX	5.1
t <sub>dis</sub>	$\overline{OEB}$ or $\overline{OEA}$	B or A	MAX	4.2

UNIT f<sub>max</sub> : MHz other : ns



Logic Diagram



## FUNCTION TABLE

### A-TO-B STORAGE ( $\overline{OE} = L$ , DIR = H)

INPUTS			OUTPUTS	
SEL	CLK	A	1B	2B
H	X	X	1B <sub>0</sub> †	2B <sub>0</sub> †
L	↑	L	L†	X
L	↑	H	H†	X

† Output level before the indicated steady-state input conditions were established

‡ Two CLK edges are needed to propagate the data.

### B-TO-A STORAGE ( $\overline{OE} = L$ , DIR = L)

INPUTS				OUTPUT
CLK	SEL	1B	2B	A
↑	H	X	L	L§
↑	H	X	H	H§
↑	L	L	X	L
↑	L	H	X	H

§ Two CLK edges are needed to propagate the data. The data is loaded in the first register when SEL is low and propagates to the second register when SEL is high.

### OUTPUT ENABLE

INPUTS			OUTPUTS	
CLK	$\overline{OE}$	DIR	A	1B, 2B
↑	H	X	Z	Z
↑	L	L	Z	Active
↑	L	H	Active	Z

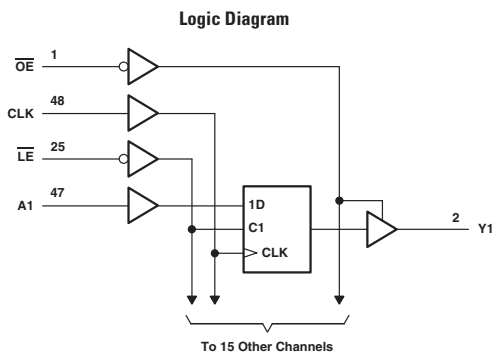
## ELECTRICAL CHARACTERISTICS AND RECOMMENDED OPERATING CONDITIONS

PARAMETER	MAX or MIN	ALVCH 3V	UNIT
I <sub>CC</sub>	MAX	0.04	mA
I <sub>OH</sub>	MAX	-24	mA
I <sub>OL</sub>	MAX	24	mA

## TIMING REQUIREMENTS AND SWITCHING CHARACTERISTICS

PARAMETER	INPUT	OUTPUT	MAX or MIN	ALVCH 3V
f <sub>max</sub>			MIN	150
t <sub>w</sub> Pulse duration, CLK high or low			MIN	3.3
t <sub>su</sub> Setup time	A data before CLK ↑		MIN	2
	B data before CLK ↑		MIN	1.8
	DIR before CLK ↑		MIN	1.7
	SEL before CLK ↑		MIN	1.8
t <sub>h</sub> Hold time	A data after CLK ↑		MIN	0.7
	B data after CLK ↑		MIN	0.6
	DIR after CLK ↑		MIN	0.5
	SEL after CLK ↑		MIN	0.8
t <sub>pd</sub>	CLK	A	MAX	5
		B		5.3
t <sub>en</sub>	$\overline{OE}$	A	MAX	5.7
		B		7.4
t <sub>dis</sub>	$\overline{OE}$	A	MAX	5.7
		B		6.4

UNIT f<sub>max</sub> : MHz other : ns



**FUNCTION TABLE**

INPUTS				OUTPUT
OE	LE	CLK	A	Y
H	X	X	X	Z
L	L	X	L	L
L	L	X	H	H
L	H	↑	L	L
L	H	↑	H	H
L	H	L or H	X	Y <sub>0</sub> ↑

† Output level before the indicated steady-state input conditions were established

**ELECTRICAL CHARACTERISTICS AND RECOMMENDED OPERATING CONDITIONS**

PARAMETER	MAX or MIN	ALVC 3V	ALVCH 3V	AVC 3V	UNIT
I <sub>CC</sub>	MAX	0.04	0.04	0.04	mA
I <sub>OH</sub>	MAX	-24	-24	-12	mA
I <sub>OL</sub>	MAX	24	24	12	mA

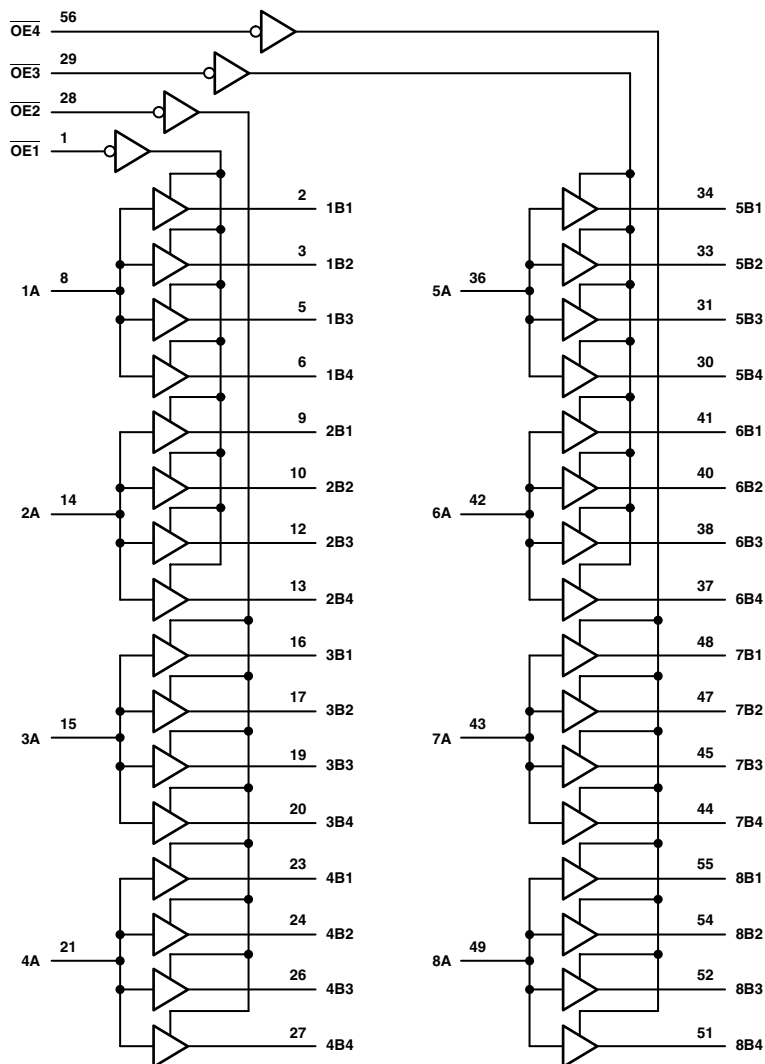
**TIMING REQUIREMENTS AND SWITCHING CHARACTERISTICS**

PARAMETER	INPUT	OUTPUT	MAX or MIN	ALVC 3V	ALVCH 3V	AVC 3V
f <sub>max</sub>			MIN	150	150	150
t <sub>w</sub> Pulse duration	LE low			3.3	3.3	3.3
	CLK high or low		MIN	3.3	3.3	3.3
t <sub>su</sub> Setup time	Data before CLK ↑		MIN	1.5	1.5	0.7
	Data before LE ↑ CLK high		MIN	1.3	1.3	0.9
	Data before LE ↑ CLK low		MIN	1.2	1.2	1
t <sub>h</sub> Hold time	Data after CLK ↑		MIN	0.9	0.9	0.7
	Data after LE ↑ CLK high		MIN	1.1	1.1	1.5
	Data after LE ↑ CLK low		MIN	1.1	1.1	1.3
t <sub>pd</sub>	A		MAX	3.3	3.3	2.5
	LE	Y		4.4	4.4	4
	CLK		MAX	4.1	4.1	3.1
t <sub>en</sub>	OE	Y		4.6	4.6	6.2
t <sub>dis</sub>	OE	Y	MAX	4.4	4.4	5.3

UNIT f<sub>max</sub> : MHz other : ns

## 1-BIT TO 4-BIT ADDRESS DRIVER WITH 3-STATE OUTPUTS

Logic Diagram



**FUNCTION TABLE**

INPUTS		OUTPUT
OE	A	Bn
L	H	H
L	L	L
H	H	Z

**ELECTRICAL CHARACTERISTICS AND RECOMMENDED OPERATING CONDITIONS**

PARAMETER	MAX or MIN	ALVCH 3V	UNIT
I <sub>CC</sub>	MAX	0.04	mA
I <sub>OH</sub>	MAX	-24	mA
I <sub>OL</sub>	MAX	24	mA

**SWITCHING CHARACTERISTICS**

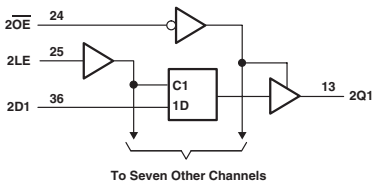
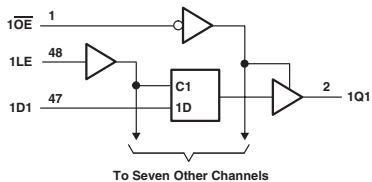
PARAMETER	INPUT	OUTPUT	MAX or MIN	ALVCH 3V
t <sub>PLH</sub>	A	B	MAX	4
t <sub>PHL</sub>				4
t <sub>PZH</sub>	OE	B	MAX	5.1
t <sub>PZL</sub>				5.1
t <sub>PHZ</sub>	OE	B	MAX	4
t <sub>PLZ</sub>				4

UNIT: ns

# 16373

## 16-BIT TRANSPARENT LATCHES WITH 3-STATE OUTPUTS

Logic Diagram



**FUNCTION TABLE**  
(each latch)

INPUTS			OUTPUT
OE	LE	D	Q
L	H	H	H
L	H	L	L
L	L	X	Q <sub>O</sub>
H	X	X	Z

**ELECTRICAL CHARACTERISTICS AND RECOMMENDED OPERATING CONDITIONS**

PARAMETER	MAX or MIN	ABT	LVTH 3V	ALVTH 3V	AC	ACT	AHC	AHCT	LVC 3V	LVC ver.A 3V	LVCH 3V	ALVCH 3V	UNIT
I <sub>CC</sub>	MAX	85	5	5	0.08	0.08	0.04	0.04	0.04	0.02	0.02	0.04	mA
I <sub>OH</sub>	MAX	-32	-32	-32	-24	-24	-8	-8	-24	-24	-24	-24	mA
I <sub>OL</sub>	MAX	64	64	64	24	24	8	8	24	24	24	24	mA

PARAMETER	MAX or MIN	AVC 3V	AUC 1.8V	AUC 2.3V	UNIT
I <sub>CC</sub>	MAX	0.04	0.02	0.02	mA
I <sub>OH</sub>	MAX	-12	-8	-9	mA
I <sub>OL</sub>	MAX	12	8	9	mA

**TIMING REQUIREMENTS AND SWITCHING CHARACTERISTICS**

PARAMETER	INPUT	OUTPUT	MAX or MIN	ABT	LVTH 3V	ALVTH 3V	AC	ACT	AHC	AHCT
t <sub>w</sub> Pulse duration, LE high or low			MIN	3.3	3	1.5	4	1	5	6.5
t <sub>su</sub> Setup time		Data before LE ↓, data high	MIN	1.5	1	1.4	1.5	1	4	1.5
		Data before LE ↓, data low	MIN	1.5	1	0.9	1.5	1	4	1.5
t <sub>h</sub> Hold time		Data after LE ↓, data high	MIN	1	1	0.9	2.4	5	1	3.5
		Data after LE ↓, data low	MIN	1	1	1.4	2.4	5	1	3.5
↑PLH	D	Q	MAX	6.3	3.8	3.1	9.7	11.1	10.5	10.5
↑PHL				6.2	3.6	3.3	10.1	12.3	10.5	10.5
↑PLH	LE	Q	MAX	6.7	4.3	3.3	11.9	12.8	10.5	10.5
↑PHL				6.1	4	3.5	10.9	12.2	10.5	10.5
↑PZH	OE	Q	MAX	6.1	4.3	4	10.8	12.1	11.5	11.5
↑PZL				5.6	4.3	3.4	12.8	14.2	11.5	11.5
↑PHZ	OE	Q	MAX	8.1	5	4.9	8.8	10.7	11.5	12
↑PLZ				6.5	4.7	4.5	8.1	9.4	11.5	12

PARAMETER	INPUT	OUTPUT	MAX or MIN	LVC 3V	LVC ver.A 3V	LVCH 3V	ALVCH 3V	AVC 3V	AUC 1.8V	AUC 2.3V
t <sub>w</sub> Pulse duration, LE high or low			MIN	4	3.3	3.3	3.3	1.8	2.1	1.7
t <sub>su</sub> Setup time		Data before LE ↓, data high	MIN	2	1.7	1.7	1.1	0.8	0.4	0.4
		Data before LE ↓, data low	MIN	2	1.7	1.7	1.1	0.8	0.4	0.4
t <sub>h</sub> Hold time		Data after LE ↓, data high	MIN	2	1.2	1.2	1.4	1	0.7	0.6
		Data after LE ↓, data low	MIN	2	1.2	1.2	1.4	1	0.7	0.6
↑PLH	D	Q	MAX	7	4.2	4.2	3.6	2.8	2.4	1.9
↑PHL				7	4.2	4.2	3.6	2.8	2.4	1.9
↑PLH	LE	Q	MAX	8	4.6	4.6	3.9	3.2	2.8	2.1
↑PHL				8	4.6	4.6	3.9	3.2	2.8	2.1
↑PZH	OE	Q	MAX	8	4.7	4.7	4.7	3.4	2.9	2.2
↑PZL				8	4.7	4.7	4.7	3.4	2.9	2.2
↑PHZ	OE	Q	MAX	7	5.9	5.9	4.1	3.9	4.6	2.5
↑PLZ				7	5.9	5.9	4.1	3.9	4.6	2.5

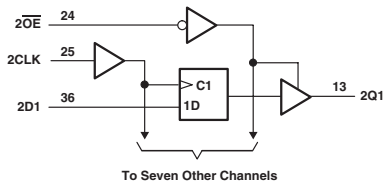
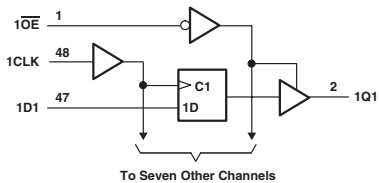
UNIT: ns

AUC: Preview



## 16-BIT EDGE-TRIGGERED D-TYPE FLIP-FLOPS WITH 3-STATE OUTPUTS

Logic Diagram



**FUNCTION TABLE**  
(each flip-flop)

INPUTS			OUTPUT
OE	CLK	D	Q
L	↑	H	H
L	↑	L	L
L	H or L	X	Q <sub>O</sub>
H	X	X	Z

**ELECTRICAL CHARACTERISTICS AND RECOMMENDED OPERATING CONDITIONS**

PARAMETER	MAX or MIN	ABT	LVTH 3V	ALVTH 3V	AC	ACT	AHC	AHCT	LVC 3V	LVC verA 3V	LVCH 3V	ALVCH 3V	UNIT
I <sub>CC</sub>	MAX	72	5	5	0.08	0.08	0.04	0.04	0.04	0.02	0.02	0.04	mA
I <sub>OH</sub>	MAX	-32	-32	-32	-24	-24	-8	-8	-24	-24	-24	-24	mA
I <sub>OL</sub>	MAX	64	64	64	24	24	8	8	24	24	24	24	mA

PARAMETER	MAX or MIN	AVC 3V	AUC 1.8V	AUC 2.3V	AUCH 1.8V	AUCH 2.3V	UNIT
I <sub>CC</sub>	MAX	0.04	0.02	0.02	0.02	0.02	mA
I <sub>OH</sub>	MAX	-12	-8	-9	-8	-9	mA
I <sub>OL</sub>	MAX	12	8	9	8	9	mA

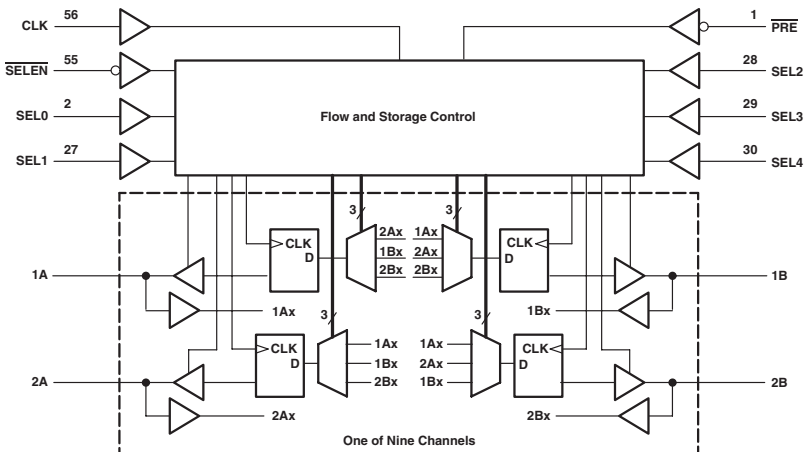
**TIMING REQUIREMENTS AND SWITCHING CHARACTERISTICS**

PARAMETER	INPUT	OUTPUT	MAX or MIN	ABT	LVTH 3V	ALVTH 3V	AC	ACT	AHC	AHCT	LVC 3V
f <sub>max</sub>			MIN	150	160	250	100	65	110	110	100
t <sub>w</sub> Pulse duration	CLK high		MIN	3.3	3	1.5	5	7.5	5	6.5	4
	CLK low			3.3	3	1.5	5	4.5	5	6.5	4
t <sub>su</sub> Setup time	Data before CLK ↑, data high		MIN	1.1	1.8	1	5	4.5	3	2.5	2
	Data before CLK ↑, data low			1.1	1.8	1.5	5	4.5	3	2.5	2
t <sub>h</sub> Hold time	Data after CLK ↑, data high		MIN	1.3	0.8	0.5	0	6.5	2	2.5	1.5
	Data after CLK ↑, data low			1.3	0.8	1	0	6.5	2	2.5	1.5
TP <sub>LH</sub>	CLK	Q	MAX	6.2	4.5	3.2	10.8	12.4	11.5	11.5	7.5
TP <sub>HL</sub>				5.9	4	3.2	10.6	12.2	11.5	11.5	7.5
TP <sub>ZH</sub>	OE	Q	MAX	5.6	4.5	3.8	10.2	11.9	11.5	11.5	7.5
TP <sub>ZL</sub>				5.3	4.4	3.3	12.1	13.4	11.5	11.5	7.5
TP <sub>HZ</sub>	OE	Q	MAX	8.2	5	4.6	8.2	10.4	11.5	12	7
TP <sub>LZ</sub>				6.6	4.6	4.2	7.9	9.8	11.5	12	7

PARAMETER	INPUT	OUTPUT	MAX or MIN	LVC verA 3V	LVCH 3V	ALVCH 3V	AVC 3V	AUC 1.8V	AUC 2.3V	AUCH 1.8V	AUCH 2.3V
f <sub>max</sub>			MIN	150	150	150	200	250	250	250	250
t <sub>w</sub> Pulse duration	CLK high		MIN	3.3	3.3	3.3	2.5	1.9	1.9	1.9	1.9
	CLK low			3.3	3.3	3.3	2.5	1.9	1.9	1.9	1.9
t <sub>su</sub> Setup time	Data before CLK ↑, data high		MIN	1.9	1.9	1.9	1.4	0.6	0.6	0.6	0.6
	Data before CLK ↑, data low			1.9	1.9	1.9	1.4	0.6	0.6	0.6	0.6
t <sub>h</sub> Hold time	Data after CLK ↑, data high		MIN	1.9	1.1	0.5	1.1	0.4	0.4	0.4	0.4
	Data after CLK ↑, data low			1.9	1.1	0.5	1.1	0.4	0.4	0.4	0.4
TP <sub>LH</sub>	CLK	Q	MAX	4.5	4.5	4.2	3.3	2.8	2.2	2.8	2.2
TP <sub>HL</sub>				4.5	4.5	4.2	3.3	2.8	2.2	2.8	2.2
TP <sub>ZH</sub>	OE	Q	MAX	4.6	4.6	4.8	3.4	2.9	2.2	2.9	2.2
TP <sub>ZL</sub>				4.6	4.6	4.8	3.4	2.9	2.2	2.9	2.2
TP <sub>HZ</sub>	OE	Q	MAX	5.5	5.5	4.3	3.9	4.5	2.2	4.5	2.2
TP <sub>LZ</sub>				5.5	5.5	4.3	3.9	4.5	2.2	4.5	2.2

UNIT f<sub>max</sub> : MHz other : ns

Logic Diagram



**FUNCTION TABLE**

INPUTS		OUTPUT
CLK	SEND PORT	RECEIVE PORT
X	X	B <sub>0</sub> ↑
X	L	L
X	H	H
↑	L	L
↑	H	H
H	X	B <sub>0</sub> ↑
L	X	B <sub>0</sub> ↑

↑ Output level before the indicated steady-state input conditions were established

**DATA-FLOW CONTROL**

PRE	SELEN	CLK	INPUTS						DATA FLOW
			SEL0	SEL1	SEL2	SEL3	SEL4		
H	X	X	X	X	X	X	X	X	All outputs disabled
L	H	↑	X	X	X	X	X	X	No change
L	L	↑	0	0	0	0	0	0	None, all I/Os off
L	L	↑	0	0	0	0	0	1	Not used
L	L	↑	0	0	0	0	1	0	Not used
L	L	↑	0	0	0	0	1	1	Not used
L	L	↑	0	0	0	1	0	0	Not used
L	L	↑	0	0	0	1	0	1	Not used
L	L	↑	0	0	1	1	1	0	Not used
L	L	↑	0	0	1	1	1	1	Not used
L	L	↑	0	1	0	0	0	0	2A to 1A and 1B to 2B
L	L	↑	0	1	0	0	0	1	2A to 1A
L	L	↑	0	1	0	1	0	0	2B to 1B
L	L	↑	0	1	0	1	1	1	2A to 1A and 2B to 1B
L	L	↑	0	1	1	0	0	0	1A to 2A and 1B to 2B
L	L	↑	0	1	1	0	1	0	1A to 2A
L	L	↑	0	1	1	1	1	0	1B to 2B
L	L	↑	0	1	1	1	1	1	1A to 2A and 2B to 1B
L	L	↑	1	0	0	0	0	0	1A to 1B and 2B to 2A
L	L	↑	1	0	0	0	0	1	1A to 1B
L	L	↑	1	0	0	0	1	0	2A to 2B
L	L	↑	1	0	0	1	1	1	1A to 1B and 2A to 2B
L	L	↑	1	0	1	0	0	0	1B to 1A and 2A to 2B
L	L	↑	1	0	1	0	1	1	1B to 1A
L	L	↑	1	0	1	1	0	0	2B to 2A
L	L	↑	1	0	1	1	1	1	1B to 1A and 2B to 2A
L	L	↑	1	1	0	0	0	0	2B to 1A and 2A to 1B
L	L	↑	1	1	0	0	0	1	1B to 2A
L	L	↑	1	1	0	1	0	0	2B to 1A
L	L	↑	1	1	0	1	1	1	2B to 1A and 1B to 2A
L	L	↑	1	1	1	0	0	0	1A to 2B and 1B to 2A
L	L	↑	1	1	1	0	1	0	1A to 2B
L	L	↑	1	1	1	1	0	0	2A to 1B
L	L	↑	1	1	1	1	1	1	1A to 2B and 2A to 1B

**ELECTRICAL CHARACTERISTICS AND RECOMMENDED OPERATING CONDITIONS**

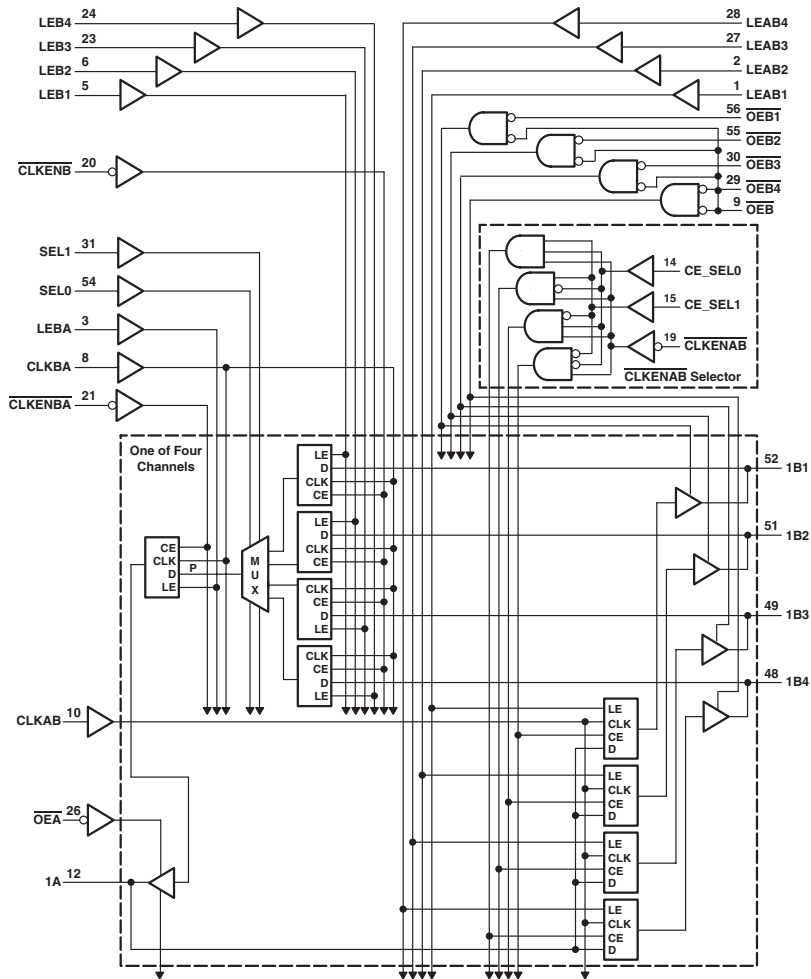
PARAMETER	MAX or MIN	ALVCH 3V	ALVC HR 3V	UNIT
I <sub>CC</sub>	MAX	0.04	0.04	mA
I <sub>OH</sub>	MAX	-24	-12	mA
I <sub>OL</sub>	MAX	24	12	mA

**TIMING REQUIREMENTS AND SWITCHING CHARACTERISTICS**

PARAMETER	INPUT	OUTPUT	MAX or MIN	ALVCH 3V	ALVC HR 3V
f <sub>max</sub>			MIN	120	120
t <sub>w</sub> Pulse duration, CLK high or low			MIN	3	3
t <sub>su</sub> Setup time	A or B data before CLK ↑		MIN	1.4	1.4
	SEL before CLK ↑		MIN	3.5	3.5
	SELEN before CLK ↑		MIN	1.8	1.8
	PRE before CLK ↑		MIN	0.7	0.7
t <sub>h</sub> Hold time	A or B data after CLK ↑		MIN	1	1
	SEL after CLK ↑		MIN	0	0
	SELEN after CLK ↑		MIN	0.8	0.8
t <sub>pd</sub>	CLK	A or B	MAX	5.1	6.2
t <sub>en</sub>	CLK	A or B	MAX	5.7	6.8
t <sub>ris</sub>	CLK	A or B	MAX	5.7	6.1
	PRE			6.1	6.4

UNIT f<sub>max</sub> : MHz other : ns

Logic Diagram



**FUNCTION TABLE**
**A-TO-B OUTPUT ENABLE**

INPUTS		OUTPUT
OEB	OEBn	Bn
H	H	Z
H	L	Z
L	H	Z
L	L	Active

Tn = 1, 2, 3, 4

**A-TO-B OUTPUT ENABLE**  
 (assuming OEB = L, OEBn = L) ‡

INPUTS								OUTPUTS			
CLKENAB	CE_SEL1	CE_SEL0	CLKAB	LEAB1	LEAB2	LEAB3	LEAB4	B1	B2	B3	B4
X	X	X	X	H or L	H	L	L	A	A0	A0	A0
X	X	X	X	H or L	H	L	L	A	A	A	A0
L	X	X	L	L	L	L	L	A0	A0	A0	A0
L	L	L	L	↑	L	L	L	A	A0	A0	A0
L	L	L	H	↑	L	L	L	A0	A	A0	A0
L	L	H	↑	L	L	L	L	A0	A0	A	A0
L	H	H	↑	L	L	L	L	A0	A0	A0	A
L	H	X	↑	L	L	L	L	A0	A0	A0	A0

**B-TO-A STORAGE**

(after point P)

INPUTS								P
CLKENB	CLKBA	LEB1	LEB2	LEB3	LEB4	SEL1	SEL0	P
X	X	H	L	L	L	L	L	B1
X	X	L	H	L	L	L	H	B2
X	X	L	L	H	L	H	L	B3
X	X	L	L	L	H	H	H	B4
L	↑	L	L	L	L	L	L	B1
						H	L	B2
						H	L	B3
						H	H	B4
L	L	L	L	L	L	L	L	B10†
						H	H	B20†
						H	H	B30†
						H	H	B40†

† Output level before the indicated steady-state input conditions were established

**B-TO-A STORAGE**

(after point P)

INPUTS						OUTPUT	
CLKENBA	CLKBA	LEBA	OEA	B	A	A	A
X	X	X	H	X	X	Z	
X	X	H	L	L	L	L	
X	X	H	L	H	H	H	
H	X	L	L	X	X	A0†	
L	↑	L	L	L	L	L	
L	↑	L	L	H	H	H	
L	L	L	L	X	X	A0†	

**ELECTRICAL CHARACTERISTICS AND RECOMMENDED OPERATING CONDITIONS**

PARAMETER	MAX or MIN	ABTH	UNIT
Icc	MAX	32	mA
Ioh	MAX	-32	mA
Iol	MAX	64	mA

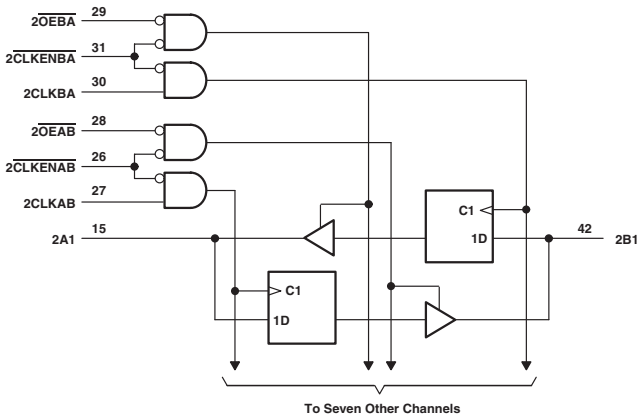
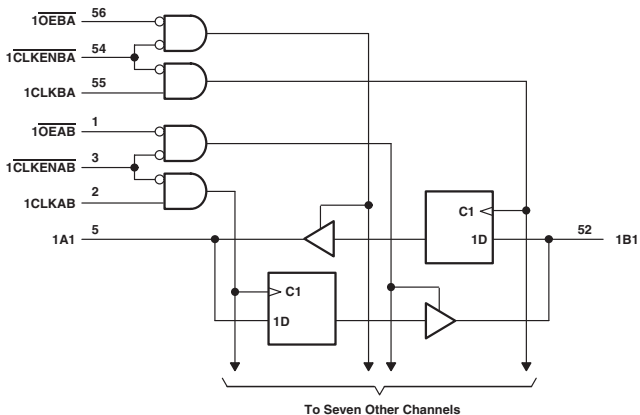
**TIMING REQUIREMENTS AND SWITCHING CHARACTERISTICS**

PARAMETER		MAX or MIN	ABTH
tmax		MIN	160
tw Pulse duration	CLKAB high or low	MIN	3.8
	CLKBA high or low	MIN	4.5
	LEAB1, 2, 3 or 4 high	MIN	2.2
	LEBA high	MIN	2.1
	LEB1, 2, 3 or 4 high	MIN	2.4
tsu Setup time	Before CLKAB ↓	A bus	MIN 2.5
		CE_SEL0/1	MIN 3.2
		CLKENAB	MIN 3.2
	Before LEAB1, 2, 3, or 4 ↓ A bus		MIN 3.6
		B bus	MIN 3.8
		CLKENB	MIN 2.3
	Before CLKBA ↑	CLKENBA	MIN 2.5
		LEB1, 2, 3 or 4	MIN 4.3
		SEL0/1	MIN 4.5
			MIN 3.2
	Before LEB1, 2, 3, or 4 ↓ B bus	B bus	MIN 4
		LEB1, 2, 3 or 4	MIN 4.4
SEL0/1		MIN 4.3	
		MIN 0.5	
th Hold time	after CLKAB ↑	A bus	MIN 0.5
		CE_SEL0/1	MIN 1.1
		CLKENAB	MIN 0.5
	after LEAB1, 2, 3, or 4 ↓ A bus		MIN 1.2
		B bus	MIN 1.3
		CLKENB	MIN 1
		CLKENBA	MIN 1
	after CLKBA ↑	SEL0/1	MIN 0
			MIN 1.5
		B bus	MIN 0.4
		SEL0/1	MIN 0.1

PARAMETER	INPUT	OUTPUT	MAX or MIN	ABTH
TPH	B	A	MAX	6.5
TPHL				6.5
IPZH	OEA	A	MAX	5.6
IPZL				5.2
IPHZ	OEA	A	MAX	5.9
IPZL				6.5
EPH	A	B	MAX	5.7
EPHL				5.7
IPZH	OEB	B	MAX	6.4
IPZL				6.3
IPHZ	OEB	B	MAX	7
IPZL				6.1
IPZH	OEB1, 2, 3, 4	B	MAX	5.8
IPZL				5.6
IPHZ	OEB1, 2, 3, 4	B	MAX	6.1
IPZL				5.3
EPH	CLKBA	A	MAX	7.4
EPHL				7.7
EPH	CLKAB	B	MAX	6.2
EPHL				5.9
EPH	LEBA	A	MAX	5.6
EPHL				5.3
EPH	LEAB1, 2, 3, 4	B	MAX	5.8
EPHL				5.6
EPH	LEBA1, 2, 3, 4	A	MAX	7.2
EPHL				6.8
EPH	SEL	A	MAX	7.5
EPHL				6.9

UNIT fmax : MHz other : ns

Logic Diagram



**FUNCTION TABLE**

INPUTS				OUTPUT
CLKENAB	CLKAB	OEAB	A	B
H	X	X	X	Z
X	X	H	X	Z
L	L	L	X	B <sub>0</sub> †
L	↑	L	L	L
L	↑	L	H	H

† A-to-B data flow is shown: B-to-A flow is similar but uses CLKENBA, CLKBA, and OEBA.

‡ Output level before the indicated steady-state input conditions were established.

**ELECTRICAL CHARACTERISTICS AND RECOMMENDED OPERATING CONDITIONS**

PARAMETER	MAX or MIN	ABT	ACT	UNIT
I <sub>CC</sub>	MAX	35	0.08	mA
I <sub>OH</sub>	MAX	-32	-24	mA
I <sub>OL</sub>	MAX	64	24	mA

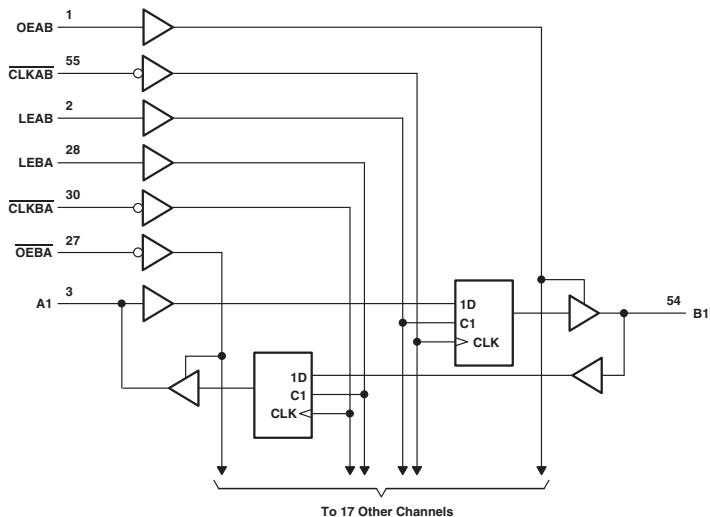
**TIMING REQUIREMENTS AND SWITCHING CHARACTERISTICS**

PARAMETER	INPUT	OUTPUT	MAX or MIN	ABT	ACT
t <sub>max</sub>			MIN	150	55
t <sub>w</sub> Pulse duration, CLKAB or CLKBA high			MIN	3.3	4
t <sub>w</sub> Pulse duration, CLKAB or CLKBA low				3.3	8.5
t <sub>su</sub> Setup time, data before CLKAB ↑ or CLKBA ↑			MIN	4	6
t <sub>h</sub> Hold time, data after CLKAB ↑ or CLKBA ↑			MIN	1	1
t <sub>PLH</sub>	CLK	A or B	MAX	4.9	11.8
t <sub>PHL</sub>				4.9	11.7
t <sub>PZH</sub>	OE	A or B	MAX	4.9	11.9
t <sub>PZL</sub>				6.8	13.4
t <sub>PHZ</sub>	OE	A or B	MAX	5.5	9.9
t <sub>PLZ</sub>				5.3	9.5
t <sub>PZH</sub>	CLKEN	A or B	MAX	5.7	12.5
t <sub>PZL</sub>				7.2	14.3
t <sub>PHZ</sub>	CLKEN	A or B	MAX	5.8	11.2
t <sub>PLZ</sub>				5.4	10.9

UNIT f<sub>max</sub> : MHz other : ns



Logic Diagram



FUNCTION TABLE

INPUTS				OUTPUT
OEAB	LEAB	CLKAB	A	B
L	X	X	X	Z
H	H	X	L	L
H	H	X	H	H
H	L	↓	L	L
H	L	↓	H	H
H	L	H	X	B <sub>0</sub> <sup>†</sup>
H	L	L	X	B <sub>0</sub> <sup>‡</sup>

† A-to-B data flow is shown; B-to-A flow is similar but uses OEBA, LEBA, and CLKBA.

‡ Output level before the indicated steady-state input conditions were established.

§ Output level before the indicated steady-state input conditions were established, provided that CLKAB was low before LEAB went low.

## ELECTRICAL CHARACTERISTICS AND RECOMMENDED OPERATING CONDITIONS

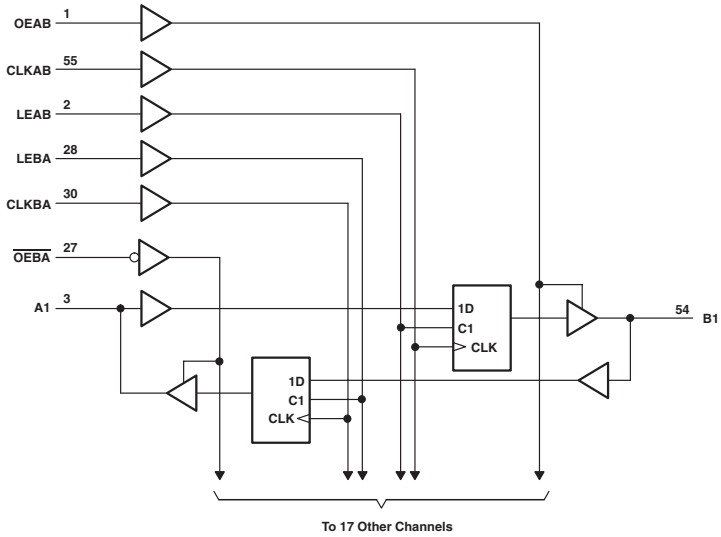
PARAMETER	MAX or MIN	ABT	LVTH 3V	ALVCH 3V	UNIT
I <sub>CC</sub>	MAX	36	5	0.04	mA
I <sub>OH</sub>	MAX	-32	-32	-24	mA
I <sub>OL</sub>	MAX	64	64	24	mA

## TIMING REQUIREMENTS AND SWITCHING CHARACTERISTICS

PARAMETER	INPUT	OUTPUT	MAX or MIN	ABT	LVTH 3V	ALVCH 3V
f <sub>max</sub>			MIN	150	150	150
t <sub>w</sub> Pulse duration	LEAB or LEBA high		MIN	2.5	3.3	3.3
	CLKAB or CLKBA high or low			3	3.3	3.3
t <sub>su</sub> Setup time	A before CLKAB ↓		MIN	3	2.9	1.3
	B before CLKBA ↓			3	2.9	1.3
	A before LEAB ↓ or LEBA ↓ CLK high			1	1.4	1
	A before LEAB ↓ or LEBA ↓ CLK low			2.5	2.9	1.4
t <sub>h</sub> Hold time	A after CLKAB ↓ or B after CLKBA ↓		MIN	0	0.4	1.3
	A after LEAB ↓ or B after LEBA ↓ high			2	1.6	1.5
	A after LEAB ↓ or B after LEBA ↓ low			2	1.6	1.2
t <sub>PLH</sub>	A or B	B or A	MAX	4	3.7	3.9
t <sub>PHL</sub>				4.9	3.7	3.9
t <sub>PZH</sub>	LEAB or LEBA	B or A	MAX	5	5.1	4.7
t <sub>PZL</sub>				5	5.1	4.7
t <sub>PHZ</sub>	CLKAB or CLKBA	B or A	MAX	5.3	5	5.5
t <sub>PLZ</sub>				5.3	5	5.5
t <sub>PZH</sub>	OEAB	B	MAX	5.1	4.8	4.6
t <sub>PZL</sub>				5.4	4.8	4.6
t <sub>PHZ</sub>	OEAB	B	MAX	6.5	5.8	5
t <sub>PLZ</sub>				5.4	5.8	5
t <sub>PZH</sub>	OEBA	A	MAX	5.1	4.8	5.2
t <sub>PZL</sub>				5.4	4.8	5.2
t <sub>PHZ</sub>	OEBA	A	MAX	6.5	5.8	4.3
t <sub>PLZ</sub>				5.4	5.8	4.3

UNIT f<sub>max</sub>: MHz other: ns

Logic Diagram



**FUNCTION TABLE**

INPUTS				OUTPUT
OEAB	LEAB	CLKAB	A	B
L	X	X	X	Z
H	H	X	L	L
H	H	X	H	H
H	L	↑	L	L
H	L	↑	H	H
H	L	H	X	B <sub>0</sub> <sup>†</sup>
H	L	L	X	B <sub>0</sub> <sup>‡</sup>

† A-to-B data flow is shown; B-to-A flow is similar but uses OEBA, LEBA, and CLKBA.

‡ Output level before the indicated steady-state input conditions were established, provided that CLKAB was high before LEAB went low.

§ Output level before the indicated steady-state input conditions were established.

**ELECTRICAL CHARACTERISTICS AND RECOMMENDED OPERATING CONDITIONS**

PARAMETER	MAX or MIN	ABT	LVTH 3V	ALVCH 3V	AUC 1.8V	AUC 2.3V	UNIT
I <sub>CC</sub>	MAX	76	5	0.04	0.02	0.02	mA
I <sub>OH</sub>	MAX	-32	-32	-24	-8	-9	mA
I <sub>OL</sub>	MAX	64	64	24	8	9	mA

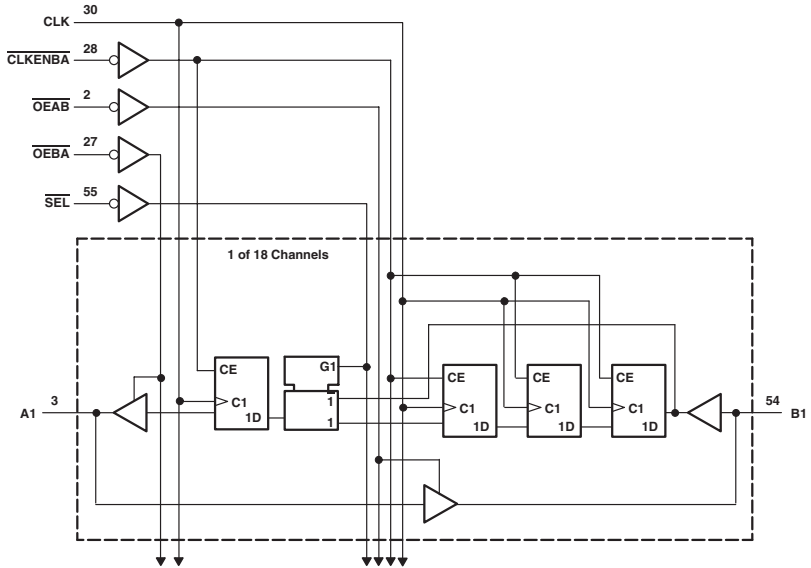
**TIMING REQUIREMENTS AND SWITCHING CHARACTERISTICS**

PARAMETER	INPUT	OUTPUT	MAX or MIN	ABT	LVTH 3V	ALVCH 3V	AUC 1.8V	AUC 2.3V
f <sub>max</sub>			MIN	105	150	150	300	350
t <sub>w</sub> Pulse duration	LEAB or LEBA high		MIN	3.3	3.3	3.3	1.5	1.5
	CLKAB or CLKBA high or low		MIN	4.7	3.3	3.3	1.5	1.5
t <sub>su</sub> Setup time	A before CLKAB ↑		MIN	3.5	2.1	1.7	0.6	0.6
	B before CLKBA ↑		MIN	3.5	2.1	1.7	0.6	0.6
	A before LEAB ↓ or LEBA ↓ CLK high		MIN	4	2.4	1.5	0.3	0.3
t <sub>h</sub> Hold time	A before LEAB ↓ or LEBA ↓ CLK low		MIN	1.5	1.4	1	0.3	0.3
	A after CLKAB ↑ or B after CLKBA ↑		MIN	1	1	0.7	0.9	0.9
	A after LEAB ↓ or B after LEBA ↓		MIN	2.5	1.7	1.4	1.2	1.2
TP <sub>LH</sub>	A or B	B or A	MAX	3.7	3.7	3.9	2.8	2.3
TP <sub>HL</sub>				4	3.7	3.9	2.8	2.3
TP <sub>ZH</sub>	LEAB or LEBA	B or A	MAX	5.1	5.1	4.6	3.8	3
TP <sub>ZL</sub>				4.4	5.1	4.6	3.8	3
TP <sub>HZ</sub>	CLKAB or CLKBA	B or A	MAX	5	5.1	4.9	3.3	2.7
TP <sub>LZ</sub>				4.4	5.1	4.9	3.3	2.7
TP <sub>ZH</sub>	OEAB	B	MAX	4.7	4.8	4.6	3.4	2.8
TP <sub>ZL</sub>				6.5	4.8	4.6	3.4	2.8
TP <sub>HZ</sub>	OEAB	B	MAX	5.8	5.8	5	3.2	3.1
TP <sub>LZ</sub>				4.9	5.8	5	3.2	3.1
TP <sub>ZH</sub>	OEBA	A	MAX	4.7	4.8	5	3.7	3
TP <sub>ZL</sub>				6.5	4.8	5	3.7	3
TP <sub>HZ</sub>	OEBA	A	MAX	5.8	5.8	4.2	5.2	3
TP <sub>LZ</sub>				4.9	5.8	4.2	5.2	3

UNIT f<sub>max</sub> : MHz other : ns

AUC:Preview

Logic Diagram



**FUNCTION TABLE**  
**B-TO-A STORAGE (OEBA = L)**

CLKENBA	INPUTS			OUTPUT A
	CLK	SEL	B	
H	X	X	X	A <sub>0</sub> †
L	↑	H	L	L
L	↑	H	H	H
L	↑	L	L	L‡
L	↑	L	H	H‡

† Output level before the indicated steady-state input conditions were established.

‡ Four positive CLK edges are needed to propagate data from B to A when SEL is low.

**ELECTRICAL CHARACTERISTICS AND RECOMMENDED OPERATING CONDITIONS**

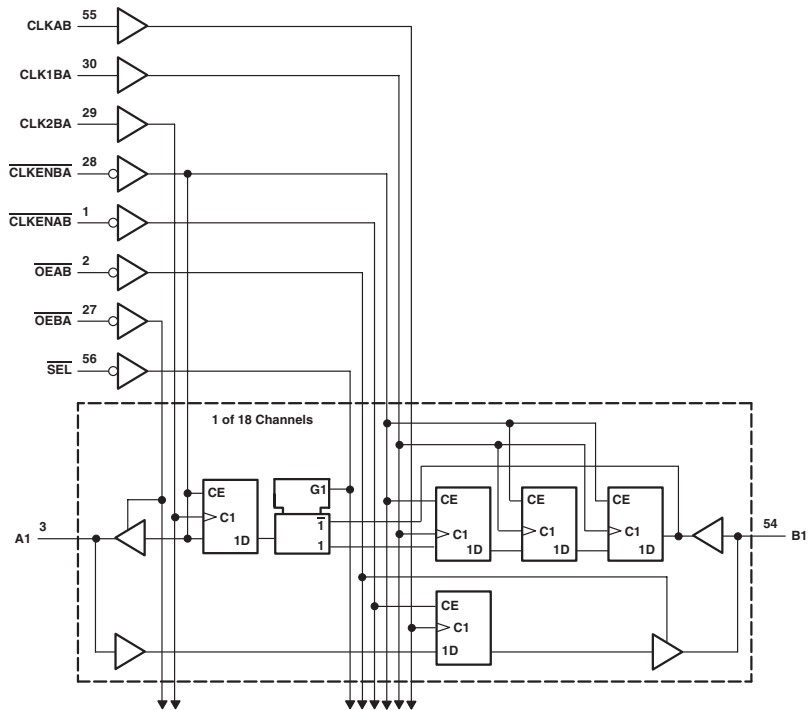
PARAMETER	MAX or MIN	ALVCH 3V	UNIT
I <sub>CC</sub>	MAX	0.04	mA
I <sub>OH</sub>	MAX	-24	mA
I <sub>OL</sub>	MAX	24	mA

**TIMING REQUIREMENTS AND SWITCHING CHARACTERISTICS**

PARAMETER	INPUT	OUTPUT	MAX or MIN	ALVCH 3V
f <sub>max</sub>			MIN	150
t <sub>w</sub> Pulse duration, CLK high or low			MIN	3
t <sub>su</sub> Setup time	B data before CLK ↑		MIN	1.1
	SEL before CLK ↑		MIN	2.1
	CLKENBA before CLK ↑		MIN	2
t <sub>h</sub> Hold time	B data after CLK ↑		MIN	1.2
	SEL after CLK ↑		MIN	0.8
	CLKENBA after CLK ↑		MIN	0.3
t <sub>pd</sub>	A	B	MAX	3.2
	CLK	A		5.2
t <sub>en</sub>	OEAB or OEBA	A or B	MAX	5.1
t <sub>dis</sub>	OEAB or OEBA	A or B		4.9

UNIT f<sub>max</sub> : MHz other : ns

Logic Diagram



## FUNCTION TABLE

### A-TO-B STORAGE ( $\overline{OEAB} = L$ )

INPUTS			OUTPUT B
CLKENAB	CLKAB	A	B
H	X	X	Bg†
L	↑	L	L
L	↑	H	H

† Output level before the indicated steady-state input conditions were established

### B-TO-A STORAGE ( $\overline{OEBA} = L$ )

INPUTS					OUTPUT A
CLKENA	CLK2BA	CLK1BA	SEL	B	A
H	X	X	X	X	Ag†
L	↑	X	H	L	L
L	↑	X	H	H	H
L	↑	↑	L	L	L‡
L	↑	↑	L	H	H‡

† Output level before the indicated steady-state input conditions were established

‡ Three CLK1BA edges and one CLK2BA edge are needed to propagate data from B to A when SEL is low.

## ELECTRICAL CHARACTERISTICS AND RECOMMENDED OPERATING CONDITIONS

PARAMETER	MAX or MIN	ALVCH 3V	UNIT
Icc	MAX	0.04	mA
Ioh	MAX	-24	mA
Iol	MAX	24	mA

## TIMING REQUIREMENTS AND SWITCHING CHARACTERISTICS

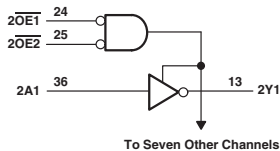
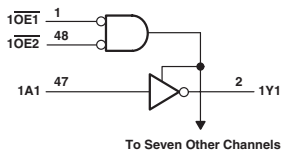
PARAMETER	INPUT	OUTPUT	MAX or MIN	ALVCH 3V
f <sub>max</sub>			MIN	150
t <sub>w</sub>	Pulse duration, CLK high or low		MIN	3
t <sub>su</sub>	Setup time	A data before CLKAB ↑	MIN	1.3
		B data before CLK2BA ↑	MIN	1.7
		B data before CLK1BA ↑	MIN	1.1
		SEL before CLK2BA ↑	MIN	3.3
		CLKENAB before CLKAB ↑	MIN	1.6
		CLKENBA before CLK1BA ↑	MIN	2.1
t <sub>h</sub>	Hold time	CLKENBA before CLK2BA ↑	MIN	2.2
		A data after CLKAB ↑	MIN	0.9
		B data after CLK2BA ↑	MIN	0.6
		B data after CLK1BA ↑	MIN	1
		SEL after CLK2BA ↑	MIN	0.1
		CLKENAB after CLKAB ↑	MIN	0.3
		CLKENBA after CLK1BA ↑	MIN	0.1
		CLKENBA after CLK2BA ↑	MIN	0
t <sub>pd</sub>	CLKAB or CLK2BA	A or B	MAX	4.2
t <sub>en</sub>	$\overline{OEAB}$ or $\overline{OEBA}$	A or B		5.1
t <sub>dis</sub>	$\overline{OEAB}$ or $\overline{OEBA}$	A or B		4.9

UNIT f<sub>max</sub> : MHz other : ns



## 16-BIT BUFFERS/DRIVERS WITH 3-STATE OUTPUTS

## Logic Diagram



FUNCTION TABLE  
(each 8-bit section)

INPUTS			OUTPUT
OE1	OE2	A	Y
L	L	L	H
L	L	H	L
H	X	X	Z
X	H	X	Z

## ELECTRICAL CHARACTERISTICS AND RECOMMENDED OPERATING CONDITIONS

PARAMETER	MAX or MIN	ABT	ACT	AHC	AHCT	LVCH 3V	UNIT
I <sub>CC</sub>	MAX	34	0.08	0.04	0.04	0.02	mA
I <sub>OH</sub>	MAX	-32	-24	-8	-8	-24	mA
I <sub>OL</sub>	MAX	64	24	8	8	24	mA

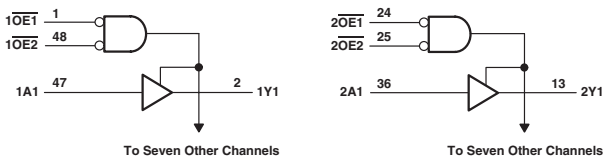
## SWITCHING CHARACTERISTICS

PARAMETER	INPUT	OUTPUT	MAX or MIN	ABT	ACT	AHC	AHCT	LVCH 3V
t <sub>PLH</sub>	A	Y	MAX	4.1	7.5	8.5	10.5	3.7
t <sub>PHL</sub>				4.3	9.5	8.5	10.5	3.7
t <sub>PZH</sub>	OE	Y	MAX	5.1	8.9	10.5	13	4.8
t <sub>PZL</sub>				5.9	10.5	10.5	13	4.8
t <sub>PHZ</sub>	OE	Y	MAX	5.7	11.9	10.5	13	5.9
t <sub>PLZ</sub>				4.7	11.1	10.5	13	5.9

UNIT: ns

## 16-BIT BUFFERS/DRIVERS WITH 3-STATE OUTPUTS

## Logic Diagram



**FUNCTION TABLE**  
(each 8-bit section)

INPUTS			OUTPUT
OE1	OE2	A	Y
L	L	L	L
L	L	H	H
H	X	X	Z
X	H	X	Z

## ELECTRICAL CHARACTERISTICS AND RECOMMENDED OPERATING CONDITIONS

PARAMETER	MAX or MIN	ABT	LVTH 3V	ACT	AHC	AHCT	LVCH 3V	UNIT
I <sub>CC</sub>	MAX	34	5	0.08	0.04	0.04	0.02	mA
I <sub>OH</sub>	MAX	-32	-32	-24	-8	-8	-24	mA
I <sub>OL</sub>	MAX	64	64	24	8	8	24	mA

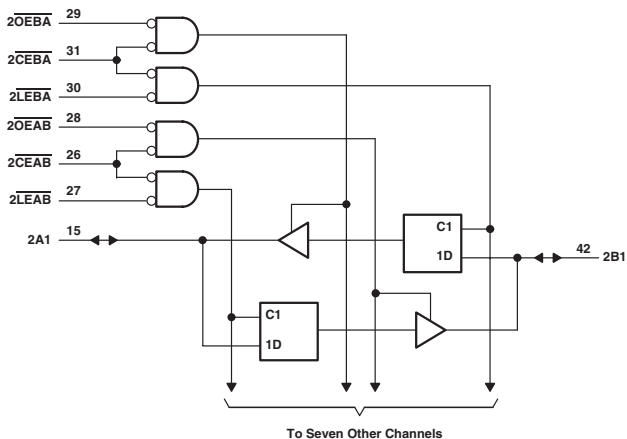
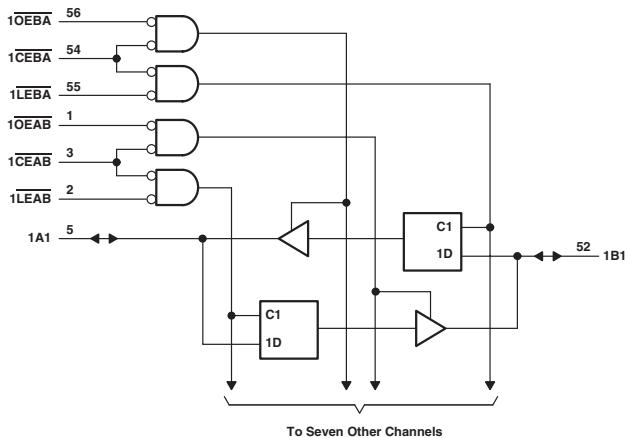
## SWITCHING CHARACTERISTICS

PARAMETER	INPUT	OUTPUT	MAX or MIN	ABT	LVTH 3V	ACT	AHC	AHCT	LVCH 3V
t <sub>PLH</sub>	A	Y	MAX	3.4	3.5	9	8.5	10.5	4.2
				4.2	3.5	9.2	8.5	10.5	4.2
t <sub>PZH</sub>	$\overline{OE}$	Y	MAX	5.2	4.6	9.7	10.5	13	5.6
				6	4.6	11	10.5	13	5.6
t <sub>PHZ</sub>	$\overline{OE}$	Y	MAX	5.4	5.9	11.3	10.5	13	6.8
				4.3	5.4	10.7	10.5	13	6.8

UNIT: ns

## 16-BIT REGISTERED TRANSCEIVERS WITH 3-STATE OUTPUTS

Logic Diagram



**FUNCTION TABLE**  
(each 8-bit section)

INPUTS				OUTPUT
CEAB	LEAB	OEAB	A	B
H	X	X	X	Z
X	X	H	X	Z
L	H	L	X	B <sub>0</sub> †
L	L	L	L	L
L	L	L	H	H

† A-to-B data flow is shown; B-to-A flow control is the same except that it uses CEBA, LEBA, and OEBA.

‡ Output level before the indicated steady-state input conditions were established.

**ELECTRICAL CHARACTERISTICS AND RECOMMENDED OPERATING CONDITIONS**

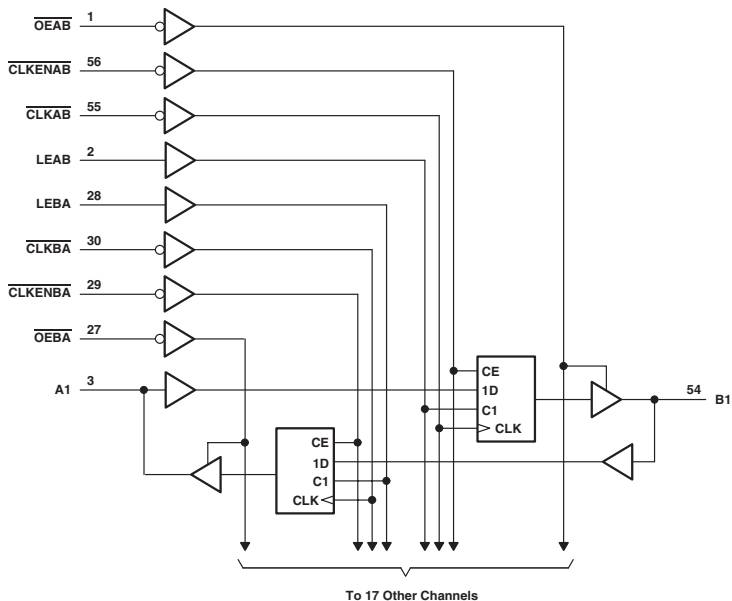
PARAMETER	MAX or MIN	ABT	LVT 3V	LVTH 3V	AC	ACT	LVCH 3V	ALVCH 3V	UNIT
I <sub>CC</sub>	MAX	35	5	5	0.08	0.08	0.02	0.04	mA
I <sub>OH</sub>	MAX	-32	-32	-32	-24	-24	-24	-24	mA
I <sub>OL</sub>	MAX	64	64	64	24	24	24	24	mA

**TIMING REQUIREMENTS AND SWITCHING CHARACTERISTICS**

PARAMETER	INPUT	OUTPUT	MAX or MIN	ABT	LVT 3V	LVTH 3V	AC	ACT	LVCH 3V	ALVCH 3V
t <sub>w</sub> Pulse duration, LEAB or LEBA low			MIN	4	3.3	3.3	4	7.5	3.3	3.3
t <sub>su</sub> Setup time	Data before LEAB † or LEBA †, high		MIN	1.5	0.8	0.5	1	2.5	1.1	1.2
	Data before LEAB † or LEBA †, low		MIN	3.5	1.5	0.8	1	2.5	1.1	1.2
	Data before CEAB † or CEBA †, high		MIN	-	0.7	0	-	-	1.1	1.2
	Data before CEAB † or CEBA †, low		MIN	-	1.6	0.6	-	-	1.1	1.2
t <sub>h</sub> Hold time	Data after LEAB † or LEBA †, high		MIN	1.5	0.8	1.5	3	4	1.9	1.3
	Data after LEAB † or LEBA †, low		MIN	2	1.2	1.2	3	4	1.9	1.3
	Data after CEAB † or CEBA †, high		MIN	-	0.8	1.7	-	-	1.9	1.3
	Data after CEAB † or CEBA †, low		MIN	-	1.3	1.6	-	-	1.9	1.3
†P <sub>LH</sub>	A or B	B or A	MAX	3.8	4.6	3.2	8.8	10.5	5.4	4.3
†P <sub>HL</sub>				5.1	4.6	3.2	9.2	11.6	5.4	4.3
†P <sub>LH</sub>	LE	A or B	MAX	5.2	6.3	3.9	11.5	13.8	6.1	5
†P <sub>HL</sub>				5.6	6	3.9	10.9	13.5	6.1	5
†P <sub>ZH</sub>	OE	A or B	MAX	5.2	5.8	4.3	9.6	11.4	6.3	5.3
†P <sub>ZL</sub>				7	6.2	4.3	11.3	13.2	6.3	5.3
†P <sub>PHZ</sub>	OE	A or B	MAX	5.7	6.5	4.7	8.9	11.1	6.3	4.6
†P <sub>PLZ</sub>				4.6	5.8	4.4	8.4	9.6	6.3	4.6
†P <sub>ZH</sub>	CE	A or B	MAX	6.2	6	4.5	9.8	11.7	6.6	5.6
†P <sub>ZL</sub>				7.8	6.4	4.5	11.5	13.5	6.6	5.6
†P <sub>PHZ</sub>	CE	A or B	MAX	6.6	6.4	4.9	9.3	11.6	6.6	5.1
†P <sub>PLZ</sub>				5.4	5.4	4.7	8.8	10.5	6.6	5.1

UNIT: ns

Logic Diagram



FUNCTION TABLE

INPUTS					OUTPUT B
CLKENAB	OEAB	LEAB	CLKAB	A	
X	H	X	X	X	Z
X	L	H	X	L	L
X	L	H	X	H	H
H	L	L	X	X	B <sub>0</sub> †
H	L	L	X	X	B <sub>0</sub> †
L	L	L	↓	L	L
L	L	L	↓	H	H
L	L	L	H	X	B <sub>0</sub> †
L	L	L	L	X	B <sub>0</sub> ‡

† A-to-B data flow is shown. B-to-A flow is similar but uses OEBA, LEBA, CLKBA and CLKENBA.

‡ Output level before the indicated steady-state input conditions were established.

§ Output level before the indicated steady-state input conditions were established, provided that CLKAB was low before LEAB went low.

## ELECTRICAL CHARACTERISTICS AND RECOMMENDED OPERATING CONDITIONS

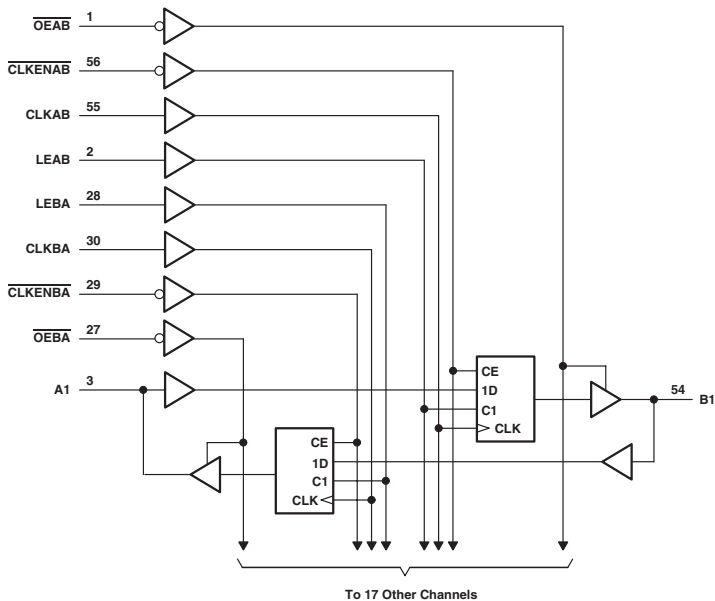
PARAMETER	MAX or MIN	ABT	ALVCH 3V	UNIT
I <sub>cc</sub>	MAX	36	0.04	mA
I <sub>OH</sub>	MAX	-32	-24	mA
I <sub>OL</sub>	MAX	64	24	mA

## TIMING REQUIREMENTS AND SWITCHING CHARACTERISTICS

PARAMETER	INPUT	OUTPUT	MAX or MIN	ABT	ALVCH 3V
f <sub>max</sub>			MIN	150	150
t <sub>w</sub> Pulse duration	LEAB or LEBA high		MIN	2.5	3.3
	CLKAB or CLKBA high or low		MIN	3	3.3
t <sub>su</sub> Setup time	A before CLKAB ↓ or B before CLKBA ↓		MIN	3	-
	Data before CLK ↑			-	1.2
	A before LEAB ↓ or B before LEBA ↓, CLK high		MIN	2.5	1.1
	A before LEAB ↓ or B before LEBA ↓, CLK low		MIN	2.5	1.5
	CLKEN after CLK ↓			2.5	-
	CLKEN after CLK ↑		MIN	2.5	0.8
t <sub>h</sub> Hold time	A after CLKAB ↓ or B after CLKBA ↓		MIN	0	-
	Data after CLK ↑			-	1.5
	A after LEAB ↓ or B after LEBA ↓, CLK high		MIN	2	1.6
	A after LEAB ↓ or B after LEBA ↓, CLK low		MIN	2	1.3
	CLKEN after CLK ↓			1	-
	CLKEN after CLK ↑		MIN	-	1.4
t <sub>PLH</sub>				4	4
t <sub>PHL</sub>	A or B	B or A	MAX	4.9	4
t <sub>PLH</sub>	LEAB or LEBA	B or A	MAX	5	4.8
t <sub>PHL</sub>				5	4.8
t <sub>PLH</sub>	CLKAB or CLKBA	B or A	MAX	5.3	5.7
t <sub>PHL</sub>				5	5.7
t <sub>PZH</sub>	OEAB	B	MAX	5.1	5.2
t <sub>PZL</sub>				5.4	5.2
t <sub>PHZ</sub>	OEAB	B	MAX	6.2	4.4
t <sub>PLZ</sub>				5.4	4.4
t <sub>PZH</sub>	OEBA	A	MAX	5.1	5.2
t <sub>PZL</sub>				5.4	5.2
t <sub>PHZ</sub>	OEBA	A	MAX	6.2	4.4
t <sub>PLZ</sub>				5.4	4.4

UNIT f<sub>max</sub> : MHz other : ns

Logic Diagram



FUNCTION TABLE

INPUTS					OUTPUT
CLKENAB	OEAB	LEAB	CLKAB	A	B
X	H	X	X	X	Z
X	L	H	X	L	L
X	L	H	X	H	H
H	L	L	X	X	B <sub>0</sub> †
H	L	L	X	X	B <sub>0</sub> †
L	L	L	↑	L	L
L	L	L	↑	H	H
L	L	L	L	X	B <sub>0</sub> †
L	L	L	H	X	B <sub>0</sub> ‡

† A-to-B data flow is shown; B-to-A flow is similar but uses OEBA, LEBA, CLKBA and CLKENBA.

‡ Output level before the indicated steady-state input conditions were established.

§ Output level before the indicated steady-state input conditions were established, provided that CLKAB was low before LEAB went low.

## ELECTRICAL CHARACTERISTICS AND RECOMMENDED OPERATING CONDITIONS

PARAMETER	MAX or MIN	ABT	ALVTH 3V	ALVCH 3V	ALVCHR 3V
I <sub>CC</sub>	MAX	36	5	0.04	0.04
I <sub>OH</sub>	MAX	-32	-32	-24	-12
I <sub>OL</sub>	MAX	64	64	24	12

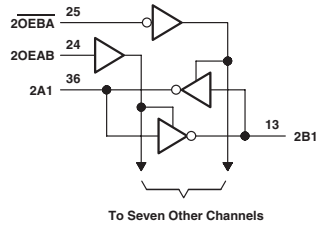
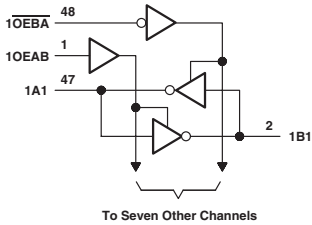
## TIMING REQUIREMENTS AND SWITCHING CHARACTERISTICS

PARAMETER	INPUT	OUTPUT	MAX or MIN	ABT	ALVTH 3V	ALVCH 3V	ALVCHR 3V
f <sub>max</sub>			MIN	150	150	150	150
t <sub>w</sub> Pulse duration	LEAB or LEBA high		MIN	2.5	1.8	3.3	3.3
	CLKAB or CLKBA high or low		MIN	3	2.3	3.3	3.3
t <sub>su</sub> Setup time	Data before CLK ↑ high		MIN	4	2.4	2.1	2.1
	Data before CLK ↑ low			4	3.8	2.1	2.1
	A before LEAB ↓ or B before LEBA ↓, CLK high		MIN	2.5	1	1.6	1.6
	A before LEAB ↓ or B before LEBA ↓, CLK low		MIN	1	0.6	1.1	1.1
	CLKEN before ↑ high		MIN	2.5	1.4	1.7	1.7
CLKEN before ↑ low		2.5		1.9	1.7	1.7	
t <sub>h</sub> Hold time	Data after CLK ↑ high		MIN	0	0.5	0.8	0.8
	Data after CLK ↑ low			0	0.5	0.8	0.8
	A after LEAB ↓ or B after LEBA ↓, CLK high		MIN	2	2	1.4	1.4
	A after LEAB ↓ or B after LEBA ↓, CLK low		MIN	2	2.3	1.7	1.7
	CLKEN after ↑ high		MIN	0	0.6	0.6	0.6
	CLKEN after ↑ low			0	0.5	0.6	0.6
t <sub>PLH</sub>	A or B	B or A	MAX	4	3.9	4.1	4.4
t <sub>PHL</sub>				4.9	3.9	4.1	4.4
t <sub>PLH</sub>	LEAB or LEBA	B or A	MAX	5	4.6	4.7	5.1
t <sub>PHL</sub>				5.2	4.6	4.7	5.1
t <sub>PLH</sub>	CLKAB or CLKBA	B or A	MAX	4.7	4.5	5	5.4
t <sub>PHL</sub>				4.6	4.6	5	5.4
t <sub>PZH</sub>	OEAB	B	MAX	5.5	4.2	5.2	5.6
t <sub>PZL</sub>				5.8	4.4	5.2	5.6
t <sub>PHZ</sub>	OEAB	B	MAX	6.2	5.3	4.4	4.7
t <sub>PLZ</sub>				5.4	4.6	4.4	4.7
t <sub>PZH</sub>	OEBA	A	MAX	5.5	4.2	5.2	5.6
t <sub>PZL</sub>				5.8	4.4	5.2	5.6
t <sub>PHZ</sub>	OEBA	A	MAX	6.2	5.3	4.4	4.7
t <sub>PLZ</sub>				5.4	4.6	4.4	4.7

UNIT f<sub>max</sub>: MHz other: ns



Logic Diagram



**FUNCTION TABLE**

INPUTS		OPERATION
OEBA	OEAB	
L	L	$\overline{B}$ data to A bus
L	H	$\overline{B}$ data to A bus, $\overline{A}$ data to B bus
H	L	Isolation
H	H	$\overline{A}$ data to B bus

**ELECTRICAL CHARACTERISTICS AND RECOMMENDED OPERATING CONDITIONS**

PARAMETER	MAX or MIN	AC	ACT	UNIT
I <sub>CC</sub>	MAX	0.08	0.08	mA
I <sub>OH</sub>	MAX	-24	-24	mA
I <sub>OL</sub>	MAX	24	24	mA

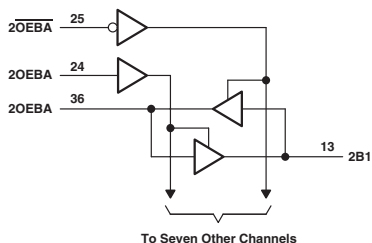
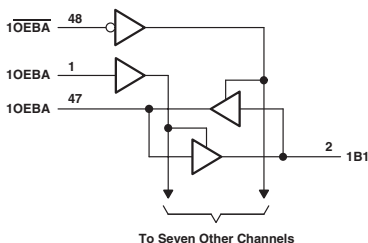
**SWITCHING CHARACTERISTICS**

PARAMETER	INPUT	OUTPUT	MAX or MIN	AC	ACT
t <sub>PLH</sub>	A	B	MAX	6.8	8.5
t <sub>PHL</sub>				8.2	10.5
t <sub>PLH</sub>	B	A	MAX	6.8	8.5
t <sub>PHL</sub>				8.2	10.5
t <sub>PZH</sub>	$\overline{OEBA}$	A	MAX	7.9	9.1
t <sub>PZL</sub>				9.4	10.9
t <sub>PHZ</sub>	$\overline{OEBA}$	A	MAX	9.2	11.9
t <sub>PLZ</sub>				8.3	10.6
t <sub>PZH</sub>	OEAB	B	MAX	7.3	8.9
t <sub>PZL</sub>				9.1	10.5
t <sub>PHZ</sub>	OEAB	B	MAX	9	10.8
t <sub>PLZ</sub>				8	9.6

UNIT: ns

## 16-BIT BUS TRANSCEIVERS WITH 3-STATE OUTPUTS

## Logic Diagram



FUNCTION TABLE  
(each 8-bit section)

INPUTS		OPERATION
$\overline{OEBA}$	OEAB	
L	L	B data to A bus
L	H	B data to A bus, A data to B bus
H	L	Isolation
H	H	A data to B bus

## ELECTRICAL CHARACTERISTICS AND RECOMMENDED OPERATING CONDITIONS

PARAMETER	MAX or MIN	ABT	ACT	UNIT
$I_{CC}$	MAX	35	0.08	mA
$I_{DH}$	MAX	-32	-24	mA
$I_{OL}$	MAX	64	24	mA

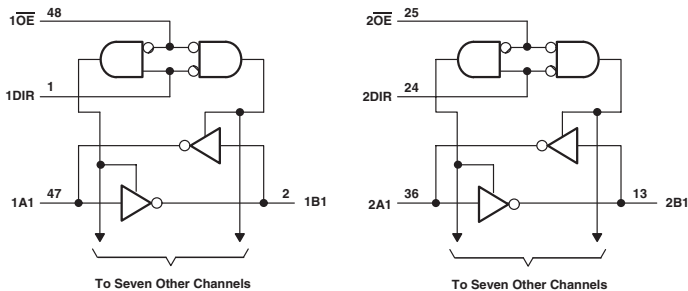
## SWITCHING CHARACTERISTICS

PARAMETER	INPUT	OUTPUT	MAX or MIN	ABT	ACT
$t_{PLH}$	A or B	B or A	MAX	3.6	7.7
$t_{PHL}$				4.3	8.6
$t_{PZH}$	$\overline{OEBA}$	A	MAX	4.9	9.5
$t_{PZL}$				6	11.1
$t_{PHZ}$	$\overline{OEBA}$	A	MAX	6	12
$t_{PLZ}$				5.4	10.7
$t_{PZH}$	OEAB	B	MAX	4.9	9.3
$t_{PZL}$				6	10.6
$t_{PHZ}$	OEAB	B	MAX	6	10.4
$t_{PLZ}$				5.4	9.5

UNIT: ns

## 16-BIT BUS TRANSCEIVER WITH 3-STATE OUTPUTS

## Logic Diagram



**FUNCTION TABLE**  
(each 8-bit section)

INPUTS		OPERATION
OE	DIR	
L	L	$\bar{B}$ data to A bus
L	H	A data to B bus
H	X	Isolation

## ELECTRICAL CHARACTERISTICS AND RECOMMENDED OPERATING CONDITIONS

PARAMETER	MAX or MIN	ABT	AC	ACT	UNIT
I <sub>CC</sub>	MAX	32	0.08	0.08	mA
I <sub>OH</sub>	MAX	-32	-24	-24	mA
I <sub>OL</sub>	MAX	64	24	24	mA

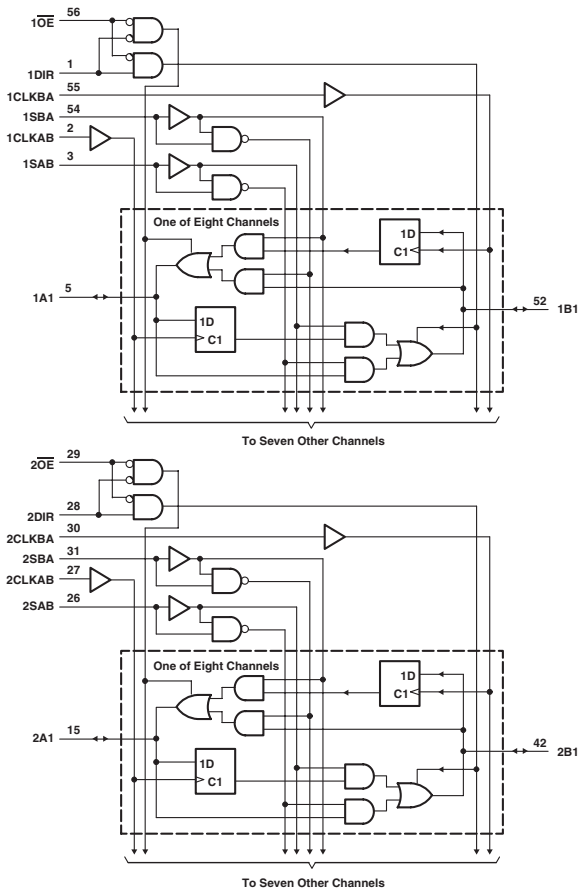
## SWITCHING CHARACTERISTICS

PARAMETER	INPUT	OUTPUT	MAX or MIN	ABT	AC	ACT
t <sub>PLH</sub>	A or B	B or A	MAX	4.3	7.3	9.1
t <sub>PHL</sub>				3.9	8.6	10.5
t <sub>PZH</sub>	$\overline{OE}$	A or B	MAX	5.5	8	9.8
t <sub>PZL</sub>				6.3	9.9	11.5
t <sub>PHZ</sub>	$\overline{OE}$	A or B	MAX	6.3	9.9	12.5
t <sub>PLZ</sub>				4.2	9	11

UNIT: ns

## 16-BIT BUS TRANSCEIVERS AND REGISTERS WITH 3-STATE OUTPUTS

Logic Diagram



FUNCTION TABLE

INPUTS						DATA I/O				OPERATION OR FUNCTION
OE	DIR	CLKAB	CLKBA	SAB	SBA	A1 THRU A8	B1 THRU B8			
X	X	↑	X	X	X	Input	Unspecified †		Store A, B unspecified †	
X	X	X	↑	X	X	Unspecified †	Input		Store B, A unspecified †	
H	X	↑	↑	X	X	Input	Input		Store A and B data	
H	X	H or L	H or L	X	X	Input disabled	Input disabled		Isolation, hold storage	
L	L	X	X	X	L	Output	Input		Real-time B data to A bus	
L	L	X	H or L	X	H	Output	Input		Stored B data to A bus	
L	H	X	X	L	X	Input	Output		Real-time A data to B bus	
L	H	H or L	X	H	X	Input	Output		Stored A data to B bus	

† The data output functions may be enabled or disabled by various signals at the OE and DIR inputs. Data input functions are always enabled; i.e., data at the bus pins will be stored on every low-to-high transition of the clock inputs.

## ELECTRICAL CHARACTERISTICS AND RECOMMENDED OPERATING CONDITIONS

PARAMETER	MAX or MIN	ABT	LVT 3V	LVTH 3V	AC	ACT	LVC 3V	LVCH 3V	ALVCH 3V	AVC 3V	UNIT
I <sub>CC</sub>	MAX	32	5	5	0.08	0.08	0.02	0.02	0.04	0.04	mA
I <sub>OH</sub>	MAX	-32	-32	-32	-24	-24	-24	-24	-24	-12	mA
I <sub>OL</sub>	MAX	64	64	64	24	24	24	24	24	12	mA

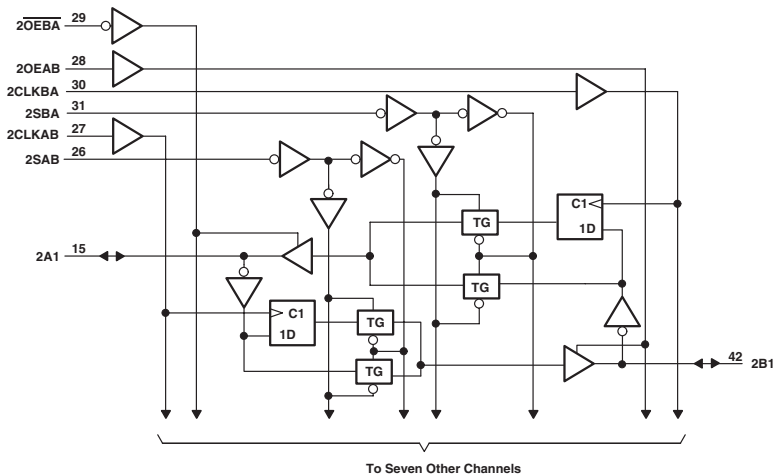
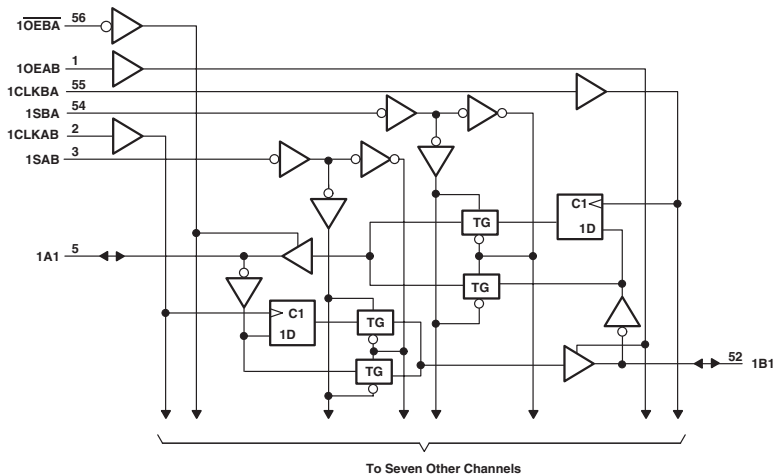
## TIMING REQUIREMENTS AND SWITCHING CHARACTERISTICS

PARAMETER	INPUT	OUTPUT	MAX or MIN	ABT	LVT 3V	LVTH 3V	AC	ACT	LVC 3V	LVCH 3V
f <sub>max</sub>			MIN	125	150	150	75	90	150	150
t <sub>w</sub> Pulse duration	CLKAB or CLKBA high or low		MIN	4.3	3.3	3.3	6.5	5.5	3.3	3.3
t <sub>su</sub> Setup time	A or B before CLKAB ↑ or CLKBA ↑, data high		MIN	3	1.3	1.2	5	4	2.7	2.9
	A or B before CLKAB ↑ or CLKBA ↑, data low		MIN	3	2.4	2	5	6	2.7	2.9
t <sub>h</sub> Hold time	A or B after CLKAB ↑ or CLKBA ↑, data high		MIN	0	0.5	0.5	1	1.5	0.3	0.3
	A or B after CLKAB ↑ or CLKBA ↑, data low		MIN	0	0.5	0.5	1	1.5	0.3	0.3
t <sub>PLH</sub>	CLKAB or CLKBA	B or A	MAX	4.9	5.7	4.2	12.1	12.2	6	6.7
				4.7	5.7	4.2	11.9	12.3	6	6.7
t <sub>PHL</sub>	A or B	B or A	MAX	3.9	4.7	3.4	9.5	10.6	5.2	5.7
				4.6	4.7	3.4	9.7	11.4	5.2	5.7
t <sub>PLH</sub>	SAB or SBA	B or A	MAX	5	6.2	4.5	12.5	15.6	6.1	7.7
				5	6.2	4.5	13.1	16.7	6.1	7.7
t <sub>PZH</sub>	OE	A or B	MAX	5.5	5.4	4.3	10.5	11.9	6.9	6.9
				5.7	5.6	4.3	12.2	13.5	6.9	6.9
t <sub>PHZ</sub>	OE	A or B	MAX	5.4	6.5	5.6	8.9	10.2	6.9	6.9
				4.5	5.8	5.4	8.6	9.9	6.9	6.9
t <sub>PZH</sub>	DIR	A or B	MAX	5.4	5.7	4.4	10.9	15.2	7.2	7.2
				5.6	5.8	4.4	12.2	13.1	7.2	7.2
t <sub>PHZ</sub>	DIR	A or B	MAX	6.7	7.2	5.7	9.4	10.8	7	7
				5.9	6.6	5.2	8.8	10.4	7	7

PARAMETER	INPUT	OUTPUT	MAX or MIN	ALVCH 3V	AVC 3V
f <sub>max</sub>			MIN	150	350
t <sub>w</sub> Pulse duration	CLKAB or CLKBA high or low		MIN	3.3	1.4
t <sub>su</sub> Setup time	A or B before CLKAB ↑ or CLKBA ↑, data high		MIN	1.4	0.8
	A or B before CLKAB ↑ or CLKBA ↑, data low		MIN	1.4	0.8
t <sub>h</sub> Hold time	A or B after CLKAB ↑ or CLKBA ↑, data high		MIN	0.7	0.6
	A or B after CLKAB ↑ or CLKBA ↑, data low		MIN	0.7	0.6
t <sub>PLH</sub>	CLKAB or CLKBA	B or A	MAX	4.5	3.3
				4.5	3.3
t <sub>PHL</sub>	A or B	B or A	MAX	3.9	2.6
				3.9	2.6
t <sub>PLH</sub>	SAB or SBA	B or A	MAX	5.3	4
				5.3	4
t <sub>PZH</sub>	OE	A or B	MAX	5.1	4
				5.1	4
t <sub>PHZ</sub>	OE	A or B	MAX	4.7	4.2
				4.7	4.2
t <sub>PZH</sub>	DIR	A or B	MAX	5.1	4.3
				5.1	4.3
t <sub>PHZ</sub>	DIR	A or B	MAX	5.3	4.3
				5.3	4.3

UNIT f<sub>max</sub> : MHz other : ns

Logic Diagram



FUNCTION TABLE

INPUTS						DATA I/O †		OPERATION OR FUNCTION
OEAB	OEBA	CLKAB	CLKBA	SAB	SBA	A1-A8	B1-B8	
L	H	L	L	X	X	Input	Input	Isolation
L	H	†	†	X	X	Input	Input	Store A and B data
X	H	†	L	X	X	Input	Unspecified‡	Store A, hold B
H	H	†	†	X†	X	Input	Output	Store A in both registers
L	X	L	†	X	X	Unspecified‡	Input	Hold A, store B
L	L	†	†	X	X†	Output	Input	Store B in both registers
L	L	X	X	X	L	Output	Input	Real-time B data to A bus
L	L	X	L	X	H	Output	Input	Store B data to A bus
H	H	X	X	L	X	Input	Output	Real-time A data to B bus
H	H	L	X	H	X	Input	Output	Store A data to B bus
H	L	L	L	H	H	Output	Output	Store A data to B bus and Store B data to A bus

† The data-output functions may be enabled or disabled by a variety of level combinations at OEAB or OEBA. Data-input functions are always enabled; i.e., data at the bus terminals is stored on every low-to-high transition of the clock inputs.

‡ Select control = L; clocks can occur simultaneously.

§ Select control = H; clocks must be staggered to load both registers.

## ELECTRICAL CHARACTERISTICS AND RECOMMENDED OPERATING CONDITIONS

PARAMETER	MAX or MIN	ACT	UNIT
I <sub>CC</sub>	MAX	0.08	mA
I <sub>OH</sub>	MAX	-24	mA
I <sub>OL</sub>	MAX	24	mA

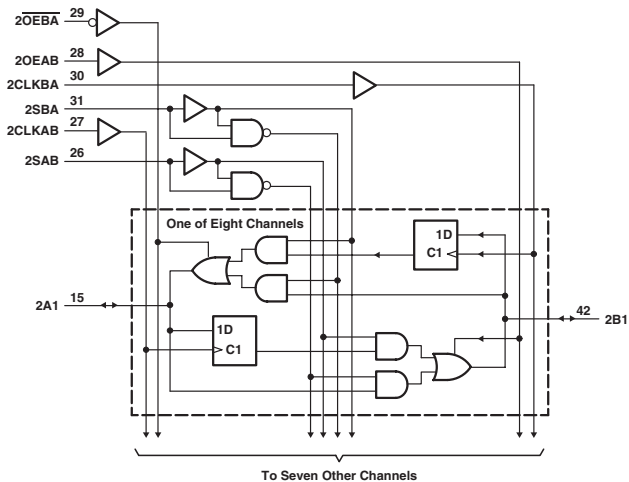
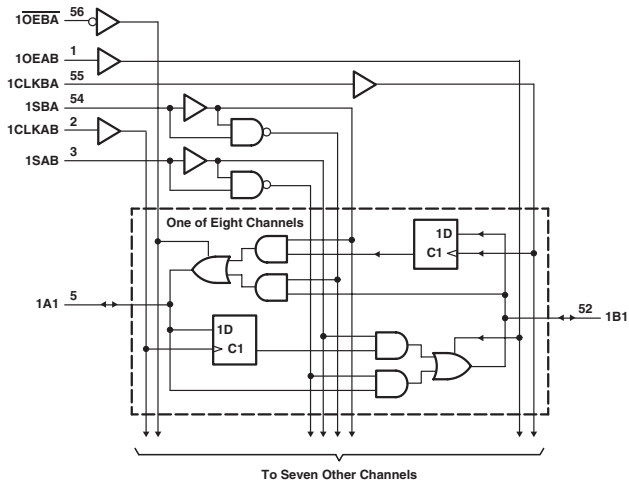
## TIMING REQUIREMENTS AND SWITCHING CHARACTERISTICS

PARAMETER	INPUT	OUTPUT	MAX or MIN	ACT
f <sub>max</sub>			MIN	90
t <sub>w</sub> Pulse duration	CLKAB or CLKBA high or low		MIN	5.5
t <sub>su</sub> Setup time	A before CLKAB † or B before CLKBA †		MIN	5.3
t <sub>h</sub> Hold time	A after CLKAB † or B after CLKBA †		MIN	1
t <sub>PLH</sub>	A or B	B or A	MAX	11.3
t <sub>PHL</sub>				11.9
t <sub>PLH</sub>	CLKAB or CLKBA	A or B	MAX	13.7
t <sub>PHL</sub>				13.6
t <sub>PLH</sub>	SAB or SBA	A or B	MAX	17.3
t <sub>PHL</sub>				17.8
t <sub>PZH</sub>	OEBA	A	MAX	12.3
t <sub>PZL</sub>				13.9
t <sub>PHZ</sub>	OEBA	A	MAX	10.6
t <sub>PLZ</sub>				10.8
t <sub>PZH</sub>	OEAB	B	MAX	11.9
t <sub>PZL</sub>				13.5
t <sub>PHZ</sub>	OEAB	B	MAX	11.4
t <sub>PLZ</sub>				11.6

UNIT f<sub>max</sub> : MHz other : ns



Logic Diagram



**FUNCTION TABLE**

INPUTS						DATA I/O†		OPERATION OR FUNCTION
OEAB	OEBA	CLKAB	CLKBA	SAB	SBA	A1 THRU A8	B1 THRU B8	
L	H	H or L	H or L	X	X	Input	Input	Isolation
L	H	↑	↑	X	X	Input	Input	Store A and B data
X	H	↑	H or L	X	X	Input	Unspecified ‡	Store A, hold B
H	H	↑	↑	X‡	X	Input	Output	Store A in both registers
L	X	H or L	↑	X	X	Unspecified ‡	Input	Hold A, store B
L	L	↑	↑	X	X‡	Output	Input	Store B in both registers
L	L	X	X	X	L	Output	Input	Real-time B data to A bus
L	L	X	H or L	X	H	Output	Input	Stored B data to A bus
H	H	X	X	L	X	Input	Output	Real-time A data to B bus
H	H	H or L	X	H	X	Input	Output	Store A data to B bus
H	L	H or L	H or L	H	H	Output	Output	Store A data to B bus and stored B data A bus

† The data output functions may be enabled or disabled by a variety of level combinations at the OEAB or OEBA inputs. Data input functions are always enabled; i.e., data at the bus pins is stored on every low-to-high transition of the clock inputs.

‡ Select control = L; clocks can occur simultaneously.

Select control = H; clocks must be staggered in order to load both registers.

**ELECTRICAL CHARACTERISTICS AND RECOMMENDED OPERATING CONDITIONS**

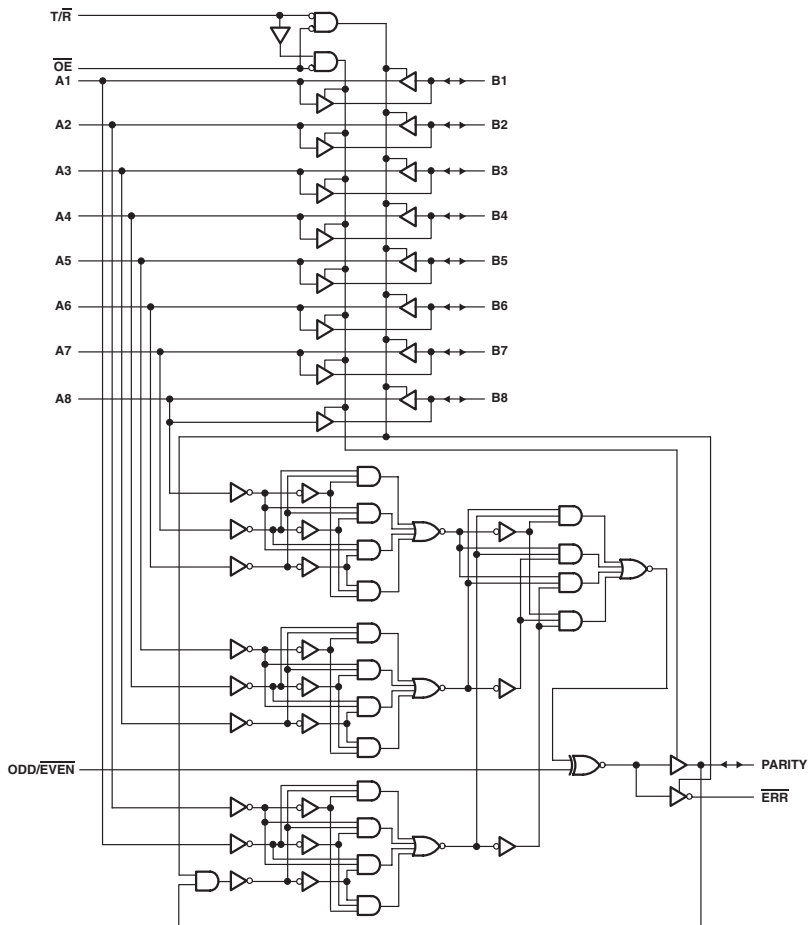
PARAMETER	MAX or MIN	ABT	LVTH 3V	AC	ACT	LVCH 3V	UNIT
I <sub>CC</sub>	MAX	32	5	0.08	0.08	0.02	mA
I <sub>OH</sub>	MAX	-32	-32	-24	-24	-24	mA
I <sub>OL</sub>	MAX	64	64	24	24	24	mA

**TIMING REQUIREMENTS AND SWITCHING CHARACTERISTICS**

PARAMETER	INPUT	OUTPUT	MAX or MIN	ABT	LVTH 3V	AC	ACT	LVCH 3V
f <sub>max</sub>			MIN	125	150	95	90	150
t <sub>w</sub> Pulse duration	CLKAB or CLKBA high or low		MIN	4.3	3.3	5	5.5	3.3
t <sub>su</sub> Setup time	A before CLKAB ↑ or B before CLKBA ↑, high		MIN	3	1.2	4.5	4.5	3
	A before CLKAB ↑ or B before CLKBA ↑, low		MIN	3	2	4.5	4.5	3
t <sub>h</sub> Hold time	A after CLKAB ↑ or B after CLKBA ↑, high		MIN	0	0.5	0	1	0.2
	A after CLKAB ↑ or B after CLKBA ↑, low		MIN	0	0.5	0	1	0.2
†P <sub>LH</sub>	CLKAB or CLKBA	A or B	MAX	4.9	4.2	12.2	12.3	6.4
†P <sub>HL</sub>				4.7	4.2	12.3	12.3	6.4
†P <sub>LH</sub>	A or B	B or A	MAX	3.9	3.4	9.9	10.5	6.3
†P <sub>HL</sub>				4.6	3.4	10.2	11.6	6.3
†P <sub>LH</sub>	SAB or SBA	A or B	MAX	5	4.5	13.8	16	7.4
†P <sub>HL</sub>				5	4.5	13.8	16.9	7.4
†P <sub>ZH</sub>	OEBA	A	MAX	5	4.3	10.7	11.7	6.3
†P <sub>ZL</sub>				5.3	4.3	13.2	13.4	6.3
†P <sub>HZ</sub>	OEBA	A	MAX	4.9	5.6	8.8	9.5	6.2
†P <sub>LZ</sub>				4	5.4	8.7	9.2	6.2
†P <sub>ZH</sub>	OEAB	B	MAX	4.2	4.2	10.5	10.8	6.3
†P <sub>ZL</sub>				4.6	4.2	13	12.4	6.3
†P <sub>HZ</sub>	OEAB	B	MAX	5.9	5.5	8	10.5	6.2
†P <sub>LZ</sub>				5.2	5.5	7.8	9.9	6.2

UNIT f<sub>max</sub> : MHz other : ns

Logic Diagram



**FUNCTION TABLE**

(each 8-bit section)

NUMBER OF A OR B INPUTS THAT ARE HIGH	INPUTS			INPUT/OUTPUT	OUTPUTS	
	$\overline{OE}$	T/R	ODD/EVEN	PARITY	ERR	OUTPUT MODE
0, 2, 4, 6, 8	L	H	H	H	Z	Transmit
	L	H	L	L	Z	Transmit
	L	L	H	H	H	Receive
	L	L	H	L	L	Receive
	L	L	L	H	L	Receive
	L	L	L	L	H	Receive
1, 3, 5, 7	L	H	H	L	Z	Transmit
	L	H	L	H	Z	Transmit
	L	L	H	H	L	Receive
	L	L	H	L	H	Receive
	L	L	L	H	H	Receive
	L	L	L	L	L	Receive
Don't care	H	X	X	Z	Z	Z

## ELECTRICAL CHARACTERISTICS AND RECOMMENDED OPERATING CONDITIONS

PARAMETER	MAX or MIN	ABT	ACT	UNIT
$I_{CC}$	MAX	36	0.08	mA
$I_{OH}$	MAX	-32	-24	mA
$I_{OL}$	MAX	64	24	mA

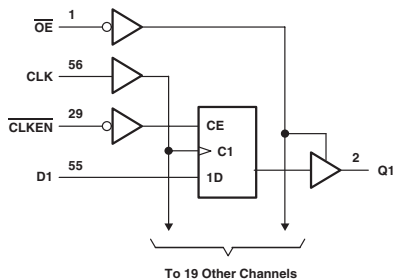
## SWITCHING CHARACTERISTICS

PARAMETER	INPUT	OUTPUT	MAX or MIN	ABT	ACT
$t_{PLH}$	A or B	B or A	MAX	4.1	10.7
$t_{PHL}$				4.3	10.6
$t_{PLH}$	A or B	PARITY	MAX	6.7	14.3
$t_{PHL}$				6.1	14.3
$t_{PLH}$	ODD / EVEN	PARITY, ERR	MAX	6.7	13.7
$t_{PHL}$				6.1	14.1
$t_{PLH}$	B	$\overline{ERR}$	MAX	6.7	14.6
$t_{PHL}$				6.1	14.7
$t_{PLH}$	PARITY	ERR	MAX	6.7	13.8
$t_{PHL}$				6.1	14.2
$t_{PZH}$	$\overline{OE}$	A or B	MAX	5.6	11.3
$t_{PZL}$				6	13
$t_{PHZ}$	$\overline{OE}$	A or B	MAX	5.4	11.2
$t_{PLZ}$				4.3	10.5
$t_{PZH}$	$\overline{OE}$	PARITY, $\overline{ERR}$	MAX	5.6	11.3
$t_{PZL}$				6	13
$t_{PHZ}$	$\overline{OE}$	PARITY, $\overline{ERR}$	MAX	5.4	11.2
$t_{PLZ}$				4.3	10.5

UNIT: ns

## 20-BIT FLIP-FLOP WITH 3-STATE OUTPUTS

## Logic Diagram



**FUNCTION TABLE**  
(each flip-flop)

INPUTS				OUTPUT
$\overline{OE}$	CLKEN	CLK	D	Q
L	H	X	H	$Q_0$
L	L	$\uparrow$	H	H
L	L	$\uparrow$	L	L
L	L	L	X	$Q_0$
H	X	X	X	Z

## ELECTRICAL CHARACTERISTICS AND RECOMMENDED OPERATING CONDITIONS

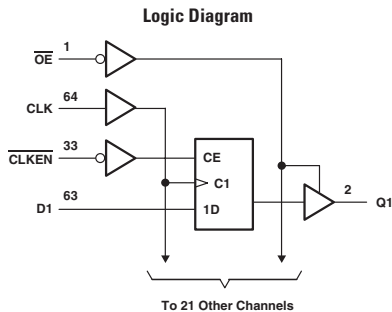
PARAMETER	MAX or MIN	ALVCH 3V	UNIT
$I_{CC}$	MAX	0.04	mA
$I_{OH}$	MAX	-24	mA
$I_{OL}$	MAX	24	mA

## TIMING REQUIREMENTS AND SWITCHING CHARACTERISTICS

PARAMETER	INPUT	OUTPUT	MAX or MIN	ALVCH 3V
$f_{max}$			MIN	150
$t_w$ Pulse duration	CLK high or low		MIN	3.3
$t_{su}$ Setup time	Data before CLK $\uparrow$		MIN	3.1
	CLKEN before CLK $\uparrow$		MIN	2.7
$t_h$ Hold time	Data after CLK $\uparrow$		MIN	0
	CLKEN after CLK $\uparrow$		MIN	0
$t_{PLH}$	CLK	Q	MAX	4.3
$t_{PHL}$				4.3
$t_{PZH}$	$\overline{OE}$	Q	MAX	4.8
$t_{PZL}$				4.8
$t_{PHZ}$	$\overline{OE}$	Q	MAX	4.4
$t_{PLZ}$				4.4

UNIT  $f_{max}$  : MHz other : ns

## 22-BIT FLIP-FLOP WITH 3-STATE OUTPUTS



**FUNCTION TABLE**  
(each flip-flop)

INPUTS				OUTPUT
OE	CLKEN	CLK	D	Q
L	H	X	X	Q <sub>0</sub>
L	L	↑	H	H
L	L	↑	L	L
L	L	L or H	X	Q <sub>0</sub>
H	X	X	X	Z

## ELECTRICAL CHARACTERISTICS AND RECOMMENDED OPERATING CONDITIONS

PARAMETER	MAX or MIN	AVC 3V	UNIT
I <sub>CC</sub>	MAX	0.04	mA
I <sub>OH</sub>	MAX	-12	mA
I <sub>OL</sub>	MAX	12	mA

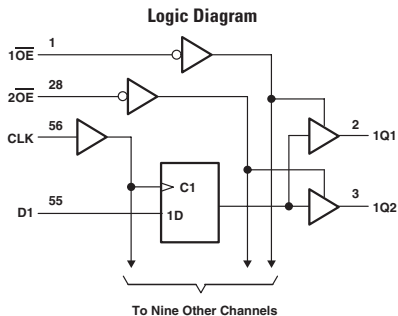
## TIMING REQUIREMENTS AND SWITCHING CHARACTERISTICS

PARAMETER	INPUT	OUTPUT	MAX or MIN	AVC 3V
f <sub>max</sub>			MIN	150
t <sub>w</sub> Pulse duration	CLK high or low		MIN	2.8
t <sub>su</sub> Setup time	Data before CLK ↑		MIN	2.5
	CLKEN before CLK ↑		MIN	1.4
t <sub>h</sub> Hold time	Data after CLK ↑		MIN	0
	CLKEN after CLK ↑		MIN	1.2
t <sub>PLH</sub>	CLK	Q	MAX	2.6
t <sub>PHL</sub>				2.6
t <sub>PZH</sub>	OE	Q	MAX	4.3
t <sub>PZL</sub>				4.3
t <sub>PHZ</sub>	OE	Q	MAX	3.4
t <sub>PLZ</sub>				3.4

UNIT f<sub>max</sub> : MHz other : ns

# 16820

## 10-BIT EDGE-TRIGGERED D-TYPE FLIP-FLOPS WITH DUAL OUTPUTS



**FUNCTION TABLE**  
(each flip-flop)

INPUTS			OUTPUT
$\overline{OE}_n^\dagger$	CLK	D	$Q_n^\dagger$
L	↑	H	H
L	↑	L	L
L	L	X	$Q_0$
H	X	X	Z

$^\dagger n = 1, 2$

### ELECTRICAL CHARACTERISTICS AND RECOMMENDED OPERATING CONDITIONS

PARAMETER	MAX or MIN	ALVCH 3V	UNIT
$I_{CC}$	MAX	0.04	mA
$I_{DH}$	MAX	-24	mA
$I_{OL}$	MAX	24	mA

### TIMING REQUIREMENTS AND SWITCHING CHARACTERISTICS

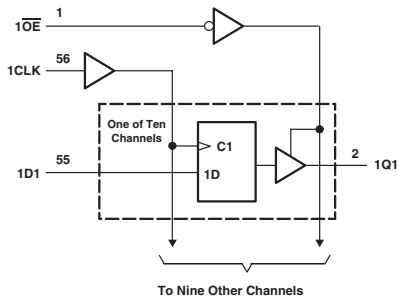
PARAMETER	INPUT	OUTPUT	MAX or MIN	ALVCH 3V
$t_{max}$			MIN	150
$t_w$ Pulse duration	CLK high or low		MIN	3.3
$t_{su}$ Setup time	Data before CLK ↑		MIN	1.4
$t_h$ Hold time	Data after CLK ↑		MIN	1
$t_{PLH}$	CLK	Q	MAX	4.8
$t_{PHL}$				4.8
$t_{PZH}$	$\overline{OE}$	Q	MAX	5
$t_{PZL}$				5
$t_{PHZ}$	$\overline{OE}$	Q	MAX	4.5
$t_{PLZ}$				4.5

UNIT fmax : MHz other : ns

# 16821

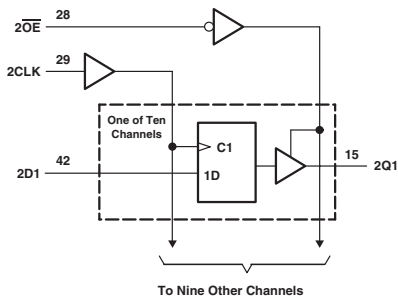
## 20-BIT BUS INTERFACE FLIP-FLOPS WITH 3-STATE OUTPUTS

### Logic Diagram



**FUNCTION TABLE**  
(each flip-flop)

INPUTS			OUTPUT
$\overline{OE}$	CLK	D	Q
L	$\uparrow$	H	H
L	$\uparrow$	L	L
L	L	X	$Q_0$
H	X	X	Z



### ELECTRICAL CHARACTERISTICS AND RECOMMENDED OPERATING CONDITIONS

PARAMETER	MAX or MIN	ABT	ALVTH 3V	ACT	ALVCH 3V	UNIT
$I_{CC}$	MAX	89	5	0.08	0.04	mA
$I_{OH}$	MAX	-32	-32	-24	-24	mA
$I_{OL}$	MAX	64	64	24	24	mA

### TIMING REQUIREMENTS AND SWITCHING CHARACTERISTICS

PARAMETER	INPUT	OUTPUT	MAX or MIN	ABT	ALVTH 3V	ACT	ALVCH 3V
$f_{max}$			MIN	150	150	70	150
$t_w$ Pulse duration	CLK high or low		MIN	3.3	1.5	7	3.3
$t_{su}$ Setup time	Data before CLK $\uparrow$ , low		MIN	1.8	1.5	7.5	3.4
	Data before CLK $\uparrow$ , high		MIN	1.8	1.5	7.5	3.4
$t_h$ Hold time	Data after CLK $\uparrow$ , high		MIN	1.3	1	0.5	0
	Data after CLK $\uparrow$ , low		MIN	1.3	1	0.5	0
$t_{PLH}$	CLK	Q	MAX	6.1	3.5	13.4	4.5
$t_{PHL}$				5.4	3.5	14	4.5
$t_{PZH}$	$\overline{OE}$	Q	MAX	5.7	4.1	11.9	5.1
$t_{PZL}$				5.6	3.6	14.7	5.1
$t_{PHZ}$	$\overline{OE}$	Q	MAX	6.5	4.8	10.7	4.6
$t_{PLZ}$				7.1	4.8	10	4.6

UNIT  $f_{max}$  : MHz other : ns

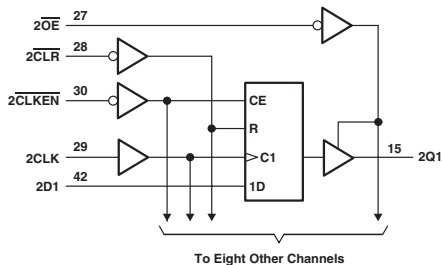
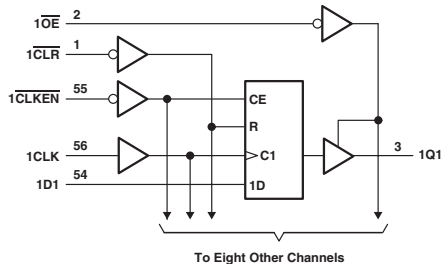


# 18-BIT EDGE-TRIGGERED D-TYPE FLIP-FLOPS WITH DUAL OUTPUTS

FUNCTION TABLE  
(each 9-bit flip-flop)

		INPUTS				OUTPUT
$\overline{OE}$	CLR	CLKEN	CLK	D	Q	
L	L	X	X	X	L	
L	H	L	$\uparrow$	H	H	
L	H	L	$\uparrow$	L	L	
L	H	L	X	X	$Q_0$	
L	H	H	X	X	$Q_0$	
H	X	X	X	X	Z	

Logic Diagram



## ELECTRICAL CHARACTERISTICS AND RECOMMENDED OPERATING CONDITIONS

PARAMETER	MAX or MIN	ABT	ABTH	AC	ACT	ALVCH 3V	UNIT
$I_{CC}$	MAX	80	80	0.08	0.08	0.04	mA
$I_{OH}$	MAX	-32	-32	-24	-24	-24	mA
$I_{OL}$	MAX	64	64	24	24	24	mA

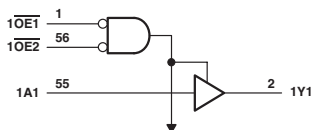
## TIMING REQUIREMENTS AND SWITCHING CHARACTERISTICS

PARAMETER	INPUT	OUTPUT	MAX or MIN	ABT	ABTH	AC	ACT	ALVCH 3V
$f_{max}$			MIN	150	150	115	90	150
$t_w$ Pulse duration	CLR low		MIN	3.3	3.3	3.3	3.3	3.3
	CLK high or low		MIN	3.3	3.3	4.4	5.5	3.3
$t_{su}$ Setup time	CLR inactive		MIN	1.6	1.6	0.6	0.5	0.8
	Data high before CLK $\uparrow$		MIN	1.7	1.7	5	7	1
	Data low before CLK $\uparrow$		MIN	1.7	1.7	5	7	1.3
	CLKEN low before CLK $\uparrow$		MIN	2.8	2.8	4.2	3.5	1.5
$t_h$ Hold time	Data high after CLK $\uparrow$		MIN	1.2	1.2	1.3	0.5	0.8
	Data low after CLK $\uparrow$		MIN	1.2	1.2	1.3	0.5	0.5
	CLKEN low after CLK $\uparrow$		MIN	0.6	0.6	1.4	2.5	0.4
$t_{PLH}$				6.8	6.8	12	12.1	4.5
$t_{PHL}$	CLK	Q	MAX	6	6	12.7	12.9	4.5
$t_{PLH}$				-	-	-	-	4.6
$t_{PHL}$	CLR	Q	MAX	6.1	6.7	11	12.5	4.6
$t_{PZH}$				4.9	4.9	9.7	10.7	4.8
$t_{PZL}$	$\overline{OE}$	Q	MAX	5.5	5.5	11.8	12.8	4.8
$t_{PHZ}$				6.1	6.1	9.3	10.3	4.5
$t_{PLZ}$	$\overline{OE}$	Q	MAX	8.7	8.7	8.6	9.4	4.5

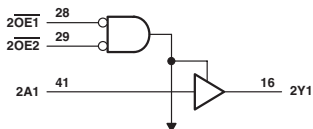
UNIT  $f_{max}$ : MHz other: ns

# 18-BIT BUS BUFFERS/DRIVERS WITH 3-STATE OUTPUTS

## Logic Diagram



To Eight Other Channels



To Eight Other Channels

**FUNCTION TABLE**  
(each 9-bit section)

INPUTS			OUTPUT
OE1	OE2	A	Y
L	L	L	L
L	L	H	H
H	X	X	Z
X	H	X	Z

## ELECTRICAL CHARACTERISTICS AND RECOMMENDED OPERATING CONDITIONS

PARAMETER	MAX or MIN	ABT	ACT	ALVCH 3V	UNIT
I <sub>CC</sub>	MAX	32	0.08	0.04	mA
I <sub>OH</sub>	MAX	-32	-24	-24	mA
I <sub>OL</sub>	MAX	64	24	24	mA

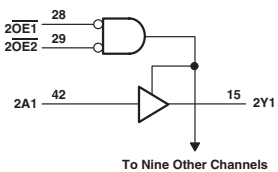
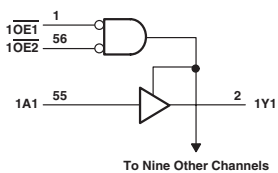
## SWITCHING CHARACTERISTICS

PARAMETER	INPUT	OUTPUT	MAX or MIN	ABT	ACT	ALVCH 3V
t <sub>PLH</sub>	A	Y	MAX	3.9	10.5	3.4
				4.4	10.3	3.4
t <sub>PZH</sub>	$\overline{OE}$	Y	MAX	6.1	11	4.7
				6	13.2	4.7
t <sub>PHZ</sub>	$\overline{OE}$	Y	MAX	6.9	11.5	4.5
				6.6	10.6	4.5

UNIT: ns

20-BIT BUS BUFFERS/DRIVERS  
WITH 3-STATE OUTPUTS

Logic Diagram



**FUNCTION TABLE**  
(each 10-bit section)

INPUTS			OUTPUT
OE1	OE2	A	Y
L	L	L	L
L	L	H	H
H	X	X	Z
X	H	X	Z

**ELECTRICAL CHARACTERISTICS AND RECOMMENDED OPERATING CONDITIONS**

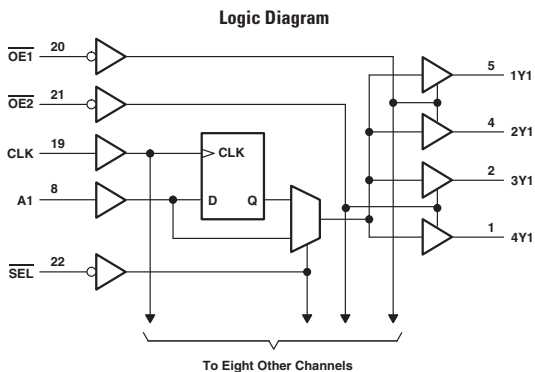
PARAMETER	MAX or MIN	ABT	ALVTH 3V	ACT	ALVCH 3V	AVC 3V	UNIT
I <sub>CC</sub>	MAX	32	6	0.08	0.04	0.04	mA
I <sub>OH</sub>	MAX	-32	-32	-24	-24	-12	mA
I <sub>OL</sub>	MAX	64	64	24	24	12	mA

**SWITCHING CHARACTERISTICS**

PARAMETER	INPUT	OUTPUT	MAX or MIN	ABT	ALVTH 3V	ACT	ALVCH 3V	AVC 3V
t <sub>PLH</sub>	A	Y	MAX	3.4	3	11	3.4	1.7
t <sub>PHL</sub>				4.2	2.8	10.8	3.4	1.7
t <sub>PZH</sub>	$\overline{OE}$	Y	MAX	5.6	3.9	11.7	4.7	5.1
t <sub>PZL</sub>				5.5	3.4	14	4.7	5.1
t <sub>PHZ</sub>	$\overline{OE}$	Y	MAX	6.6	5.8	12.4	4.5	4.7
t <sub>PLZ</sub>				6.1	4.6	11.5	4.5	4.7

UNIT: ns

## 1-TO-4 ADDRESS REGISTER/DRIVER WITH 3-STATE OUTPUTS



FUNCTION TABLE

OE	INPUTS			A	Y
	SEL	CLK			
H	X	X	X	Z	
L	H	X	L	L	
L	H	X	H	H	
L	L	↑	L	L	
L	L	↑	H	H	

## ELECTRICAL CHARACTERISTICS AND RECOMMENDED OPERATING CONDITIONS

PARAMETER	MAX or MIN	ALVCH 3V	UNIT
$I_{CC}$	MAX	0.04	mA
$I_{OH}$	MAX	-24	mA
$I_{OL}$	MAX	24	mA

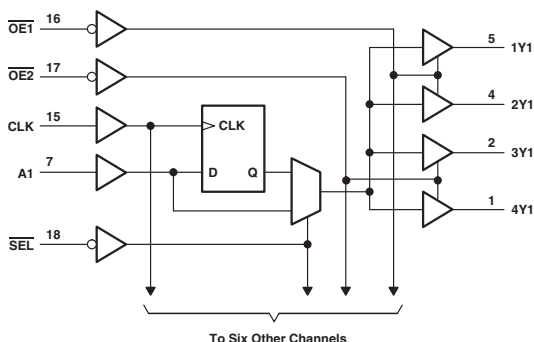
## TIMING REQUIREMENTS AND SWITCHING CHARACTERISTICS

PARAMETER	INPUT	OUTPUT	MAX or MIN	ALVCH 3V
$f_{max}$			MIN	150
$t_w$ Pulse duration	CLK high or low		MIN	3.3
$t_{su}$ Setup time	A data before CLK ↑		MIN	1.6
$t_h$ Hold time	A data after CLK ↑		MIN	1.1
$t_{PLH}$	A	Y	MAX	3.6
$t_{PHL}$				3.6
$t_{PLH}$	CLK	Y	MAX	3.9
$t_{PHL}$				3.9
$t_{PLH}$	SEL	Y	MAX	4.4
$t_{PHL}$				4.4
$t_{PZH}$	$\overline{OE}$	Y	MAX	4.3
$t_{PZL}$				4.3
$t_{PHZ}$	$\overline{OE}$	Y	MAX	4.5
$t_{PLZ}$				4.5

UNIT  $f_{max}$ : MHz other: ns

## 1-TO-4 ADDRESS REGISTER/DRIVER WITH 3-STATE OUTPUTS

Logic Diagram



FUNCTION TABLE

INPUTS				OUTPUT
OE	SEL	CLK	A	Y
H	X	X	X	Z
L	H	X	L	L
L	H	X	H	H
L	L	↑	L	L
L	L	↑	H	H

## ELECTRICAL CHARACTERISTICS AND RECOMMENDED OPERATING CONDITIONS

PARAMETER	MAX or MIN	ALVCH 3V	UNIT
I <sub>CC</sub>	MAX	0.04	mA
I <sub>OH</sub>	MAX	-24	mA
I <sub>OL</sub>	MAX	24	mA

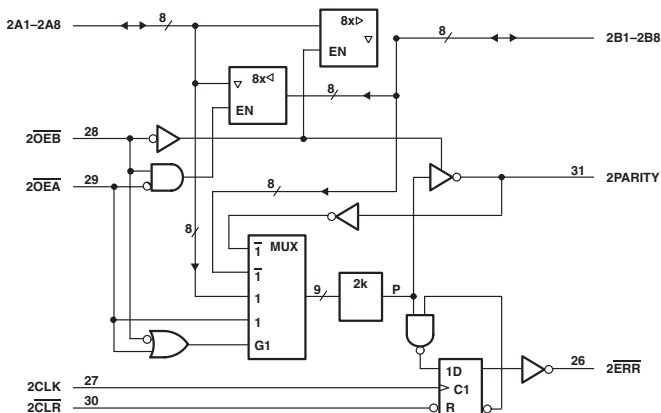
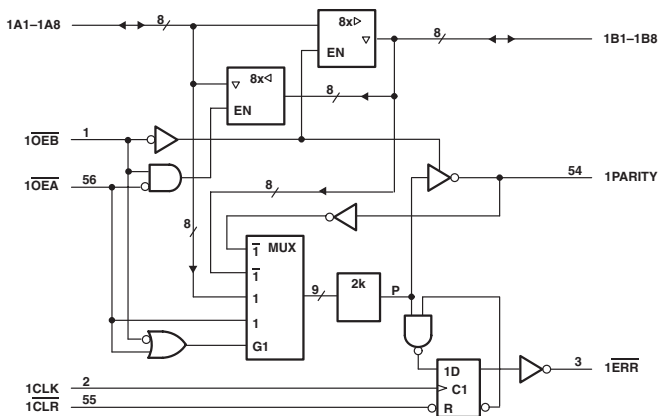
## TIMING REQUIREMENTS AND SWITCHING CHARACTERISTICS

PARAMETER	INPUT	OUTPUT	MAX or MIN	ALVCH 3V
f <sub>max</sub>			MIN	150
t <sub>w</sub> Pulse duration	CLK high or low		MIN	3.3
t <sub>su</sub> Setup time	A data before CLK ↑		MIN	1.6
t <sub>h</sub> Hold time	A data after CLK ↑		MIN	1.1
t <sub>PLH</sub>	A	Y	MAX	3.6
t <sub>PHL</sub>				3.6
t <sub>PLH</sub>	CLK	Y	MAX	3.9
t <sub>PHL</sub>				3.9
t <sub>PLH</sub>	SEL	Y	MAX	4.4
t <sub>PHL</sub>				4.4
t <sub>PZH</sub>	OE	Y	MAX	4.3
t <sub>PZL</sub>				4.3
t <sub>PHZ</sub>	OE	Y	MAX	4.5
t <sub>PLZ</sub>				4.5

UNIT f<sub>max</sub> : MHz other : ns

## DUAL 8-BIT TO 9-BIT PARITY BUS TRANSCEIVERS

Logic Diagram



**FUNCTION TABLE**

INPUTS						OUTPUT AND I/O				FUNCTION
OEB	OE $\bar{A}$	CLR	CLK	A $\bar{\Sigma}$ OF H	Bi $\bar{\Sigma}$ OF H	A	B	PARITY	ERR $\ddagger$	
L	H	X	X	Odd Even	NA	NA	A	L H	NA	A data to B bus and generate parity
H	L	H	$\uparrow$	NA	Odd Even	B	NA	NA	H L	B data to A bus and check parity
X	X	L	X	X	X	X	NA	NA	H	Check error flag register
H	H	H	No $\uparrow$ L H H	X No $\uparrow$ $\uparrow$ Odd Even	X	Z	Z	Z	NC H H L	Isolation§
L	L	X	X	Odd Even	NA	NA	A	H L	NA	A data to B bus and generate inverted parity

NA = not applicable, NC = no change, X = don't care

 $\ddagger$  Output states shown assume ERR was previously high.

 $\dagger$  Summation of high-level inputs includes PARITY along with Bi inputs.

 $\S$  In this mode, ERR (when clocked) shows inverted parity of the A bus.

**ERROR-FLAG FUNCTION TABLE**

INPUTS		INTERNAL TO DEVICE	OUTPUT PRE-STATE	OUTPUT ERR	FUNCTION
CLR	CLK	POINT P	ERR $_{n-1}\dagger$	ERR	
H	$\uparrow$	H	H	H	Sample
H	$\uparrow$	X	L	L	
H	$\uparrow$	L	X	L	
L	X	X	X	H	Clear

 $\dagger$  State of ERR before any changes at CLR, CLK, or point P

**ELECTRICAL CHARACTERISTICS AND RECOMMENDED OPERATING CONDITIONS**

PARAMETER	MAX or MIN	ABT	ACT	UNIT
I <sub>CC</sub>	MAX	36	0.08	mA
I <sub>OH</sub>	MAX	-32	-24	mA
I <sub>OL</sub>	MAX	64	24	mA

**TIMING REQUIREMENTS AND SWITCHING CHARACTERISTICS**

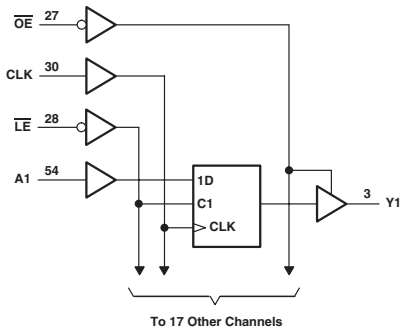
PARAMETER	INPUT	OUTPUT	MAX or MIN	ABT	ACT
t <sub>w</sub> Pulse duration	CLK high or low		MIN	3	4
	CLR low			-	4
t <sub>su</sub> Setup time	A data before CLK $\uparrow$ , A port		MIN	4.5	-
	A data before CLK $\uparrow$ , CLR			1	1.5
	A data before CLK $\uparrow$ , OE $\bar{A}$			5	-
t <sub>h</sub> Hold time	A data after CLK $\uparrow$ , A port or OE $\bar{A}$		MIN	0	0
t <sub>PLH</sub>	A or B	B or A	MAX	4.1	10.4
t <sub>PHL</sub>				4.3	10.7
t <sub>PLH</sub>	A	PARITY	MAX	6.7	13.5
t <sub>PHL</sub>				6.1	13.8
t <sub>PZH</sub>	OE $\bar{B}$ or OE $\bar{A}$	A or B	MAX	5.6	11.2
t <sub>PZL</sub>				6	13
t <sub>PHZ</sub>	OE $\bar{B}$ or OE $\bar{A}$	A or B	MAX	5.4	10.8
t <sub>PLZ</sub>				4.3	10.1
t <sub>PLH</sub>	CLK, CLR	ERR	MAX	4.6	15.8
t <sub>PHL</sub>	CLK			3.9	11.6
t <sub>PLH</sub>	OE $\bar{B}$	PARITY	MAX	6.7	-
t <sub>PHL</sub>				6.1	-
t <sub>PLH</sub>	OE $\bar{A}$	PARITY	MAX	6.7	13.2
t <sub>PHL</sub>				6.1	13.6
t <sub>PZH</sub>	OE $\bar{B}$	PARITY	MAX	5.7	9.5
t <sub>PZL</sub>				6.5	10.7
t <sub>PHZ</sub>	OE $\bar{B}$	PARITY	MAX	4.7	10.2
t <sub>PLZ</sub>				4.1	9.7
t <sub>PZH</sub>	OE $\bar{A}$	PARITY	MAX	5.7	-
t <sub>PZL</sub>				6.5	-
t <sub>PHZ</sub>	OE $\bar{A}$	PARITY	MAX	4.7	-
t <sub>PLZ</sub>				4.1	-

UNIT: ns



# 16-BIT UNIVERSAL BUS DRIVER WITH 3-STATE OUTPUTS

Logic Diagram



FUNCTION TABLE

INPUTS				OUTPUT
OE	LE	CLK	A	Y
H	X	X	X	Z
L	L	X	L	L
L	L	X	H	H
L	H	↑	L	L
L	H	↑	H	H
L	H	H	X	Y0 <sup>†</sup>
L	H	L	X	Y0 <sup>‡</sup>

<sup>†</sup> Output level before the indicated steady-state input conditions were established, provided that CLK is high before LE goes high.

<sup>‡</sup> Output level before the indicated steady-state input conditions were established.

## ELECTRICAL CHARACTERISTICS AND RECOMMENDED OPERATING CONDITIONS

PARAMETER	MAX or MIN	ALVC 3V	AVC 3V	UNIT
I <sub>CC</sub>	MAX	0.04	0.04	mA
I <sub>OH</sub>	MAX	-24	-12	mA
I <sub>OL</sub>	MAX	24	12	mA

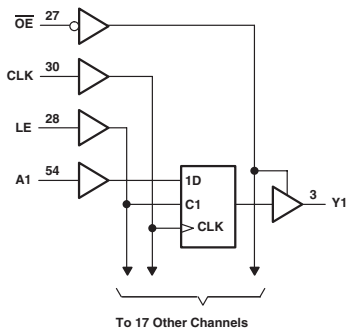
## TIMING REQUIREMENTS AND SWITCHING CHARACTERISTICS

PARAMETER	INPUT	OUTPUT	MAX or MIN	ALVC 3V	AVC 3V
f <sub>max</sub>			MIN	150	150
t <sub>w</sub> Pulse duration	LE low		MIN	3.3	3.3
	CLK high or low		MIN	3.3	3.3
t <sub>su</sub> Setup time	Data before CLK ↑		MIN	1.7	0.7
	Data before LE ↑, CLK high		MIN	1.9	1
	Data before LE ↑, CLK low			1.5	1
t <sub>h</sub> Hold time	A data after CLK ↑		MIN	0.7	0.9
	Data after LE ↑, CLK high		MIN	0.9	1.4
	Data after LE ↑, CLK low			0.9	1.3
I <sub>PH</sub>	A	Y	MAX	3.6	2.5
				3.6	2.5
I <sub>PLH</sub>	LE	Y	MAX	4.9	4
				4.9	4
I <sub>PLH</sub>	CLK	Y	MAX	4.6	3.1
				4.6	3.1
I <sub>PZH</sub>	OE	Y	MAX	5	6.2
				5	6.2
I <sub>PHZ</sub>	OE	Y	MAX	4.5	5.3
				4.5	5.3

UNIT f<sub>max</sub>: MHz other: ns

### 3.3-V ABT 18-BIT UNIVERSAL BUS DRIVER WITH 3-STATE OUTPUTS

#### Logic Diagram



#### FUNCTION TABLE

INPUTS				OUTPUT
OE	LE	CLK	A	Y
H	X	X	X	Z
L	H	X	L	L
L	H	X	H	H
L	L	↑	L	L
L	L	↑	H	H
L	L	H	X	Y <sub>0</sub> †
L	L	L	X	Y <sub>0</sub> ‡

† Output level before the indicated steady-state input conditions were established, provided that CLK was high before LE went low.

‡ Output level before the indicated steady-state input conditions were established

#### ELECTRICAL CHARACTERISTICS AND RECOMMENDED OPERATING CONDITIONS

PARAMETER	MAX or MIN	LVTH 3V	ALVC 3V	ALVCH 3V	AVC 3V	UNIT
I <sub>cc</sub>	MAX	5	0.04	0.04	0.04	mA
I <sub>oh</sub>	MAX	-32	-24	-24	-12	mA
I <sub>ol</sub>	MAX	64	24	24	12	mA

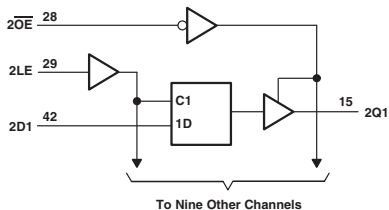
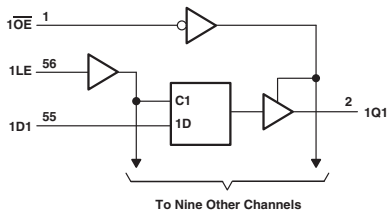
#### TIMING REQUIREMENTS AND SWITCHING CHARACTERISTICS

PARAMETER	INPUT	OUTPUT	MAX or MIN	LVTH 3V	ALVC 3V	ALVCH 3V	AVC 3V
f <sub>max</sub>			MIN	150	150	150	150
t <sub>w</sub> Pulse duration	LE low		MIN	3.3	3.3	3.3	3.3
	CLK high or low		MIN	3.3	3.3	3.3	3.3
t <sub>su</sub> Setup time	Data before CLK ↑		MIN	2.1	1.7	1.7	0.7
	Data before LE ↓, CLK high		MIN	2.3	1.5	1.5	0.8
	Data before LE ↓, CLK low		MIN	1.5	1	1	0.5
t <sub>h</sub> Hold time	A data after CLK ↑		MIN	1	0.7	0.7	1.3
	Data after LE ↓, CLK high		MIN	0.8	1.4	1.4	1.6
	Data after LE ↓, CLK low		MIN	0.8	1.4	1.4	1.4
t <sub>PLH</sub>	A	Y	MAX	3.7	3.6	3.6	2.5
				3.7	3.6	3.6	2.5
t <sub>PHL</sub>	LE	Y	MAX	5.1	4.2	4.2	3.8
				5.1	4.2	4.2	3.8
t <sub>PLH</sub>	CLK	Y	MAX	5.1	4.5	4.5	3.1
				5.1	4.5	4.5	3.1
t <sub>PZH</sub>	OE	Y	MAX	4.6	4.6	4.6	6.2
				4.6	4.6	4.6	6.2
t <sub>PHZ</sub>	OE	Y	MAX	5.8	3.9	3.9	5.3
				5.8	3.9	3.9	5.3

UNIT f<sub>max</sub> : MHz other : ns

## 20-BIT BUS INTERFACE D-TYPE LATCHES WITH 3-STATE OUTPUTS

## Logic Diagram


**FUNCTION TABLE**  
 (each 10-bit latch)

INPUTS			OUTPUT
OE	LE	D	Q
L	H	H	H
L	H	L	L
L	L	X	Q <sub>0</sub>
H	X	X	Z

## ELECTRICAL CHARACTERISTICS AND RECOMMENDED OPERATING CONDITIONS

PARAMETER	MAX or MIN	ABT	ACT	ALVCH 3V	UNIT
I <sub>CC</sub>	MAX	89	0.08	0.04	mA
I <sub>OH</sub>	MAX	-32	-24	-24	mA
I <sub>OL</sub>	MAX	64	24	24	mA

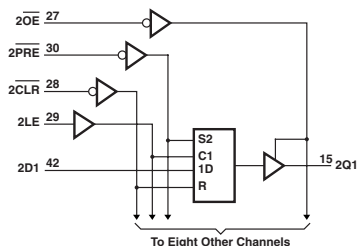
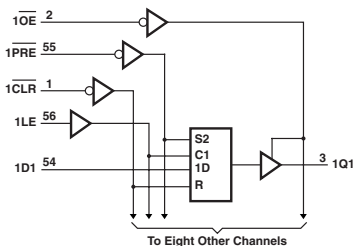
## TIMING REQUIREMENTS AND SWITCHING CHARACTERISTICS

PARAMETER	INPUT		OUTPUT	MAX or MIN	ABT	ACT	ALVCH 3V
	LE	high low					
t <sub>w</sub> Pulse duration	LE	high		MIN	4	4	3.3
		low			4	-	3.3
t <sub>su</sub> Setup time	Data before LE ↓			MIN	1	1.5	-
	Data before LE ↑				-	-	1.1
t <sub>h</sub> Hold time	Data after LE ↓	high		MIN	2	3	-
		low			2	4.5	-
	Data after LE ↑		MIN	-	-	1.1	
t <sub>PLH</sub>	D	Q		MAX	5	11.8	3.9
t <sub>PHL</sub>					5.1	12.2	3.9
t <sub>PLH</sub>	LE	Q		MAX	5	12.7	4.3
t <sub>PHL</sub>					5	12.7	4.3
t <sub>PZH</sub>	$\overline{OE}$	Q		MAX	5.7	11.3	4.9
t <sub>PZL</sub>					5.6	13.7	4.9
t <sub>PHZ</sub>	$\overline{OE}$	Q		MAX	6.5	10.2	4.1
t <sub>PLZ</sub>					7.1	9.6	4.1

UNIT : ns

## 18-BIT BUS INTERFACE D-TYPE LATCHES WITH 3-STATE OUTPUTS

## Logic Diagram



**FUNCTION TABLE**  
(each 9-bit latch)

INPUTS					OUTPUT
PRE	CLR	OE	LE	D	Q
L	X	L	X	X	H
H	L	L	X	X	L
H	H	L	H	L	L
H	H	L	H	H	H
H	H	L	L	X	Q <sub>0</sub>
X	X	H	X	X	Z

## ELECTRICAL CHARACTERISTICS AND RECOMMENDED OPERATING CONDITION

PARAMETER	MAX or MIN	ABT	UNIT
I <sub>CC</sub>	MAX	85	mA
I <sub>OH</sub>	MAX	-32	mA
I <sub>OL</sub>	MAX	64	mA

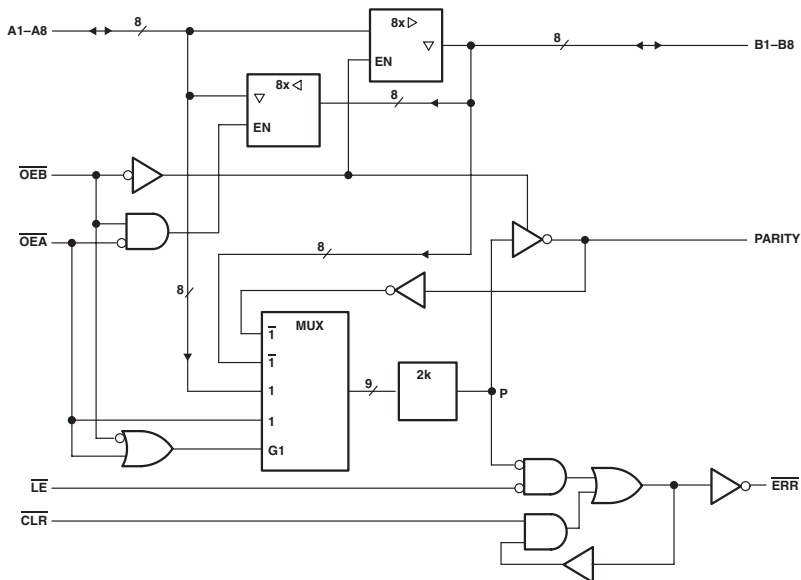
## TIMING REQUIREMENTS AND SWITCHING CHARACTERISTICS

PARAMETER	INPUT	OUTPUT	MAX or MIN	ABT	
t <sub>w</sub> Pulse duration	CLR low		MIN	3.3	
				PRE low	3.3
				LE high	3.3
t <sub>su</sub> Setup time	Data before LE ↓, high		MIN	0.9	
				Data before LE ↓, low	0.6
t <sub>h</sub> Hold time	Data after LE ↓, high		MIN	1.7	
				Data after LE ↓, low	1.8
t <sub>PLH</sub>	D	Q	MAX	4.8	
t <sub>PHL</sub>				4.8	
t <sub>PLH</sub>	LE	Q	MAX	5.9	
t <sub>PHL</sub>				5.3	
t <sub>PLH</sub>	PRE	Q	MAX	6.1	
t <sub>PHL</sub>				5	
t <sub>PLH</sub>	CLR	Q	MAX	5.4	
t <sub>PHL</sub>				6	
t <sub>PZH</sub>	OE	Q	MAX	5.4	
t <sub>PZL</sub>				5.8	
t <sub>PHZ</sub>	OE	Q	MAX	6.3	
t <sub>PLZ</sub>				5.2	

UNIT: ns

## DUAL 8-BIT TO 9-BIT PARITY BUS TRANSCEIVERS

Logic Diagram



FUNCTION TABLE

INPUTS						OUTPUT AND I/Os				FUNCTION
OEB	OEA	CLR	LE	A <sub>i</sub> Σ OF H	Bi† Σ OF H	A	B	PARITY	ERR‡	
L	H	X	X	Odd Even	NA	NA	A	L H	NA	A data to B bus and generate parity
H	L	H	L	NA	Odd Even	B	NA	NA	H L	B data to A bus and check parity
H	L	H	H	NA	X	X	NA	NA	NC	Store error flag
X	X	L	H	X	X	X	NA	NA	H	Clear error flag register
H	H	H	H	X	X	Z	Z	Z	NC	Isolation§ (parity check)
		L	H	X					H	
		X	L	L Odd H Even					L	
L	L	X	X	Odd Even	NA	NA	A	H L	NA	A data to B bus and generate inverted parity

NA = not applicable, NC = no change, X = don't care

† Summation of high-level inputs includes PARITY along with Bi inputs.

‡ Output states shown assume ERR was previously high.

§ In this mode, ERR (when clocked) shows inverted parity of the A bus.

ERROR-FLAG FUNCTION TABLE

INPUTS		INTERNAL TO DEVICE	OUTPUT	OUTPUT	FUNCTION
CLR	LE	POINT P	ERR <sub>n-1</sub> †	ERR	
L	L	L H	X	L H	Pass
H	L	X	L	L	Sample
		H	H	H	
L	H	X	X	H	Clear
H	H	X	L	L	Store
		H	H	H	

† State of ERR before changes at CLR, LE, or point P

## ELECTRICAL CHARACTERISTICS AND RECOMMENDED OPERATING CONDITIONS

PARAMETER	MAX or MIN	ABT	UNIT
I <sub>CC</sub>	MAX	40	mA
I <sub>OH</sub>	MAX	-32	mA
I <sub>OL</sub>	MAX	64	mA

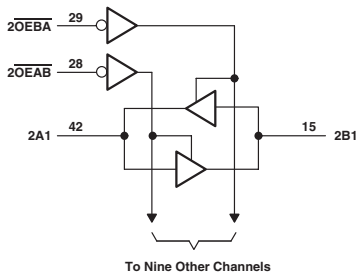
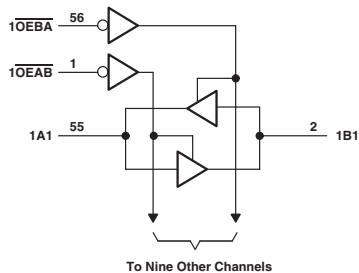
## TIMING REQUIREMENTS AND SWITCHING CHARACTERISTICS

PARAMETER	INPUT	OUTPUT	MAX or MIN	ABT
t <sub>w</sub> Pulse duration	$\overline{LE}$ high or low		MIN	8.5
	$\overline{CLR}$ low			4
t <sub>su</sub> Setup time	A, B and PARITY before $\overline{LE} \downarrow$		MIN	10
	$\overline{CLR}$ before $\overline{LE} \downarrow$			0
t <sub>h</sub> Hold time	A, B and PARITY after $\overline{LE} \downarrow$		MIN	0
	$\overline{CLR}$ after $\overline{LE} \downarrow$			0
t <sub>PLH</sub>	A or B	B or A	MAX	4.1
t <sub>PHL</sub>				4.3
t <sub>PLH</sub>	A or $\overline{OE}$	PARITY	MAX	7.1
t <sub>PHL</sub>				7.2
t <sub>PLH</sub>	$\overline{CLR}$	$\overline{ERR}$	MAX	5.7
t <sub>PZH</sub>				5.6
t <sub>PZL</sub>	$\overline{OE}$	A or B	MAX	6
t <sub>PHZ</sub>				5.4
t <sub>PLZ</sub>	$\overline{OE}$	A or B	MAX	4.3
t <sub>PZH</sub>				5.7
t <sub>PZL</sub>	$\overline{OE}$	PARITY	MAX	6.5
t <sub>PHZ</sub>				4.7
t <sub>PLZ</sub>	$\overline{OE}$	PARITY	MAX	4.1
t <sub>PLH</sub>				4.8
t <sub>PHL</sub>	$\overline{LE}$	$\overline{ERR}$	MAX	4.9
t <sub>PLH</sub>				7.2
t <sub>PHL</sub>	A, B or PARITY	$\overline{ERR}$	MAX	7.4

UNIT: ns

## 20-BIT BUS TRANSCEIVERS WITH 3-STATE OUTPUTS

## Logic Diagram

FUNCTION TABLE  
(each 10-bit section)

INPUTS		OPERATION
OEAB	OEB A	
L	L	Latch A and B (A = B)
L	H	A to B
H	L	B to A
H	H	Isolation

## ELECTRICAL CHARACTERISTICS AND RECOMMENDED OPERATING CONDITIONS

PARAMETER	MAX or MIN	ACT	UNIT
$I_{CC}$	MAX	0.08	mA
$I_{OH}$	MAX	-24	mA
$I_{OL}$	MAX	24	mA

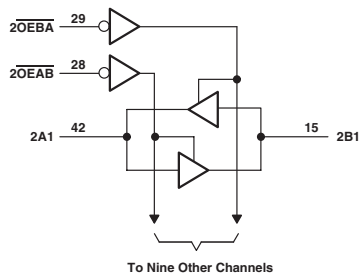
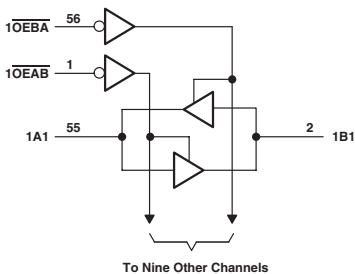
## SWITCHING CHARACTERISTICS

PARAMETER	INPUT	OUTPUT	MAX or MIN	ACT
$t_{PLH}$	A or B	B or A	MAX	10.4
$t_{PHL}$				11.1
$t_{PZH}$	$\overline{OEBA}$ or $\overline{OEAB}$	A or B	MAX	10
$t_{PZL}$				12.7
$t_{PHZ}$	$\overline{OEBA}$ or $\overline{OEAB}$	A or B	MAX	10.7
$t_{PLZ}$				10

UNIT: ns

## 18-BIT BUS TRANSCEIVERS WITH 3-STATE OUTPUTS

## Logic Diagram



**FUNCTION TABLE**  
(each 9-bit section)

INPUTS		OPERATION
OEAB	OEBA	
H	L	B data to A bus
L	H	A data to B bus
H	H	Isolation

## ELECTRICAL CHARACTERISTICS AND RECOMMENDED OPERATING CONDITIONS

PARAMETER	MAX or MIN	ABT	ACT	ALVCH 3V	UNIT
I <sub>CC</sub>	MAX	32	0.08	0.04	mA
I <sub>OH</sub>	MAX	-32	-24	-24	mA
I <sub>OL</sub>	MAX	64	24	24	mA

## SWITCHING CHARACTERISTICS

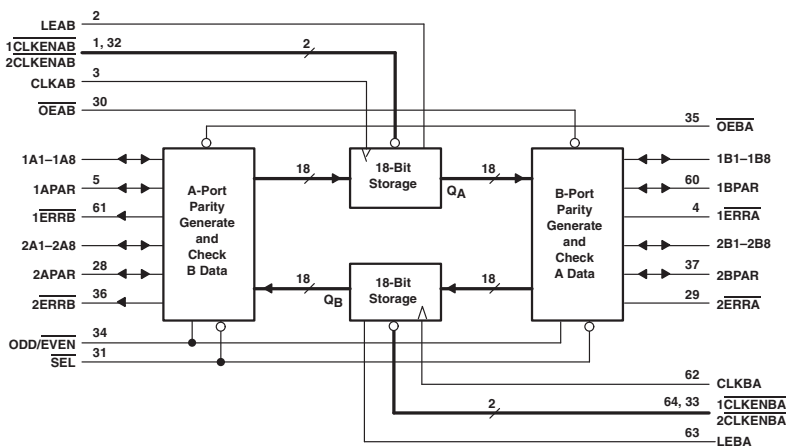
PARAMETER	INPUT	OUTPUT	MAX or MIN	ABT	ACT	ALVCH 3V
t <sub>PLH</sub>	A or B	B or A	MAX	3.5	11.1	3.4
t <sub>PHL</sub>				3.9	11.8	3.4
t <sub>PZH</sub>	OEBA or OEAB	A or B	MAX	5.4	10.6	4.7
t <sub>PZL</sub>				4.8	13.6	4.7
t <sub>PHZ</sub>	OEBA or OEAB	A or B	MAX	6	11.6	4.2
t <sub>PLZ</sub>				5	11	4.2

UNIT: ns



## 18-BIT UNIVERSAL BUS TRANSCEIVER WITH PARITY GENERATORS/CHECKERS

Block Diagram



FUNCTION TABLE

INPUTS				OUTPUT	
CLKENAB	OEAB	LEAB	CLKAB	A	B
X	H	X	X	X	Z
X	L	H	X	L	L
X	L	H	X	H	H
H	L	L	X	X	B <sub>0</sub> †
L	L	L	↑	L	L
L	L	L	↑	H	H
L	L	L	L	X	B <sub>0</sub> †
L	L	L	H	X	B <sub>0</sub> ‡

† Output level before the indicated steady-state input conditions were established.

‡ Output level before the indicated steady-state input conditions were established, provided that CLKAB was low before LEAB went low.

PARITY-ENABLE FUNCTION TABLE

INPUTS				OPERATION OR FUNCTION	
SEL	OEBA	OEAB			
L	H	L			Parity is checked on port A and is generated on port B.
L	L	H			Parity is checked on port B and is generated on port A.
L	H	H			Parity is checked on port B and port A.
L	L	L			Parity is generated on port A and B if device is in FF mode.
H	L	L			Parity functions are disabled; device acts as a standard 18-bit registered transceiver.
H	L	H			Q <sub>A</sub> data to B, Q <sub>B</sub> data to A
H	H	L			Q <sub>B</sub> data to A
H	H	H			Q <sub>A</sub> data to B
H	H	H			Isolation

PARITY FUNCTION TABLE

INPUTS					OUTPUTS				
SEL	OEBA	OEAB	ODD/EVEN		Σ OF INPUTS A1-A8 = H	Σ OF INPUTS B1-B8 = H	APAR	BPAR	APAR ERRB BPAR ERRB
L	H	L	L	L	0, 2, 4, 6, 8	N/A	L	N/A	N/A H L Z
L	H	L	L	L	1, 3, 5, 7	N/A	L	N/A	N/A L H Z
L	H	L	L	L	0, 2, 4, 6, 8	N/A	H	N/A	N/A L L Z
L	H	L	L	L	1, 3, 5, 7	N/A	H	N/A	N/A H H Z
L	L	H	L	L	N/A	0, 2, 4, 6, 8	N/A	L	L Z N/A H
L	L	H	L	L	N/A	1, 3, 5, 7	N/A	L	H Z N/A L
L	L	H	L	L	N/A	0, 2, 4, 6, 8	N/A	H	L Z N/A L
L	L	H	L	L	N/A	1, 3, 5, 7	N/A	H	H Z N/A H
L	H	L	H	H	0, 2, 4, 6, 8	N/A	L	N/A	N/A L H Z
L	H	L	H	H	1, 3, 5, 7	N/A	L	N/A	N/A L H Z
L	H	L	H	H	0, 2, 4, 6, 8	N/A	H	N/A	N/A H H Z
L	H	L	H	H	1, 3, 5, 7	N/A	H	N/A	N/A L L Z
L	L	H	H	H	N/A	0, 2, 4, 6, 8	N/A	L	H Z N/A H
L	L	H	H	H	N/A	1, 3, 5, 7	N/A	L	L Z N/A L
L	L	H	H	H	N/A	0, 2, 4, 6, 8	N/A	H	H Z N/A L
L	L	H	H	H	N/A	1, 3, 5, 7	N/A	H	Z H Z H
L	H	H	H	H	0, 2, 4, 6, 8	0, 2, 4, 6, 8	L	L	Z H Z H
L	H	H	H	H	1, 3, 5, 7	1, 3, 5, 7	L	L	Z L Z L
L	H	H	H	H	0, 2, 4, 6, 8	0, 2, 4, 6, 8	H	H	Z L Z L
L	H	H	H	H	1, 3, 5, 7	1, 3, 5, 7	H	H	Z H Z H
L	H	H	H	H	0, 2, 4, 6, 8	0, 2, 4, 6, 8	H	H	Z H Z H
L	H	H	H	H	1, 3, 5, 7	1, 3, 5, 7	H	H	Z L Z L
L	L	L	L	L	N/A	N/A	N/A	N/A	PE† Z PE† Z
L	L	L	L	L	N/A	N/A	N/A	N/A	PO‡ Z PO‡ Z

† Parity output is set to the level so that the specific bus side is set to even parity.

‡ Parity output is set to the level so that the specific bus side is set to odd parity.

## ELECTRICAL CHARACTERISTICS AND RECOMMENDED OPERATING CONDITIONS

PARAMETER	MAX or MIN	LVCH 3V	ALVCH 3V	UNIT
I <sub>CC</sub>	MAX	0.02	0.04	mA
I <sub>OH</sub>	MAX	-24	-24	mA
I <sub>OL</sub>	MAX	24	24	mA

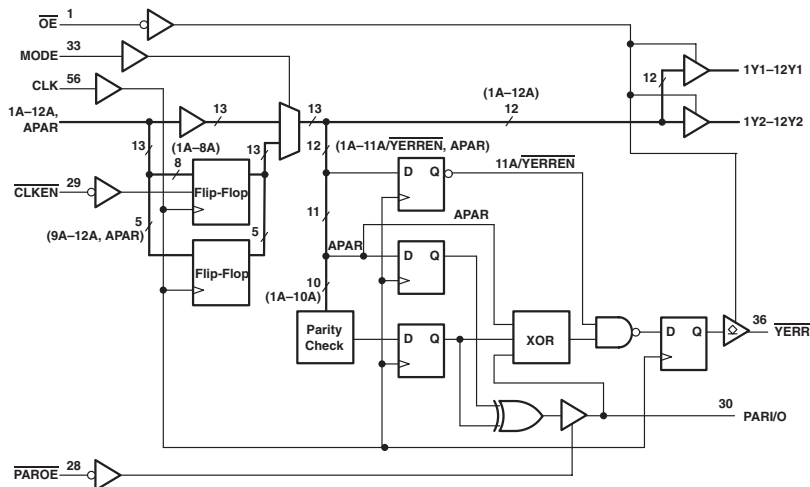
## TIMING REQUIREMENTS AND SWITCHING CHARACTERISTICS

PARAMETER	INPUT	OUTPUT	MAX or MIN	LVCH 3V	ALVCH 3V
f <sub>max</sub>			MIN	125	125
t <sub>w</sub> Pulse duration	CLK ↑		MIN	3	3
	LE high		MIN	3	3
t <sub>su</sub> Setup time	A, APAR or B, BPAR before CLK ↑		MIN	2.5	1.7
	CLKEN before CLK ↑		MIN	2.5	1.7
	A, APAR or B, BPAR before LE ↓		MIN	2	1.2
t <sub>h</sub> Hold time	A, APAR or B, BPAR after CLK ↑		MIN	1.3	0.5
	CLKEN after CLK ↑		MIN	1.5	0.7
	A, APAR or B, BPAR after LE ↓		MIN	1.7	0.9
t <sub>PLH</sub>	A or B	B or A	MAX	5.4	4.4
t <sub>PHL</sub>				5.4	4.4
t <sub>PLH</sub>	A or B	BPAR or APAR	MAX	7.7	6.7
t <sub>PHL</sub>				7.7	6.7
t <sub>PLH</sub>	APAR or BPAR	BPAR or APAR	MAX	5.7	4.7
t <sub>PHL</sub>				5.7	4.7
t <sub>PLH</sub>	APAR or BPAR	ERRA or ERRB	MAX	8.5	7.5
t <sub>PHL</sub>				8.5	7.5
t <sub>PLH</sub>	ODD / EVEN	ERRA or ERRB	MAX	7.8	6.8
t <sub>PHL</sub>				7.8	6.8
t <sub>PLH</sub>	ODD / EVEN	BPAR or APAR	MAX	7.5	6.5
t <sub>PHL</sub>				7.5	6.5
t <sub>PLH</sub>	SEL	BPAR or APAR	MAX	6.1	5.1
t <sub>PHL</sub>				6.1	5.1
t <sub>PLH</sub>	CLKAB or CLKBA	A or B	MAX	6.1	5.1
t <sub>PHL</sub>				6.1	5.1
t <sub>PLH</sub>	CLKAB or CLKBA	BPAR or APAR parity feedthrough	MAX	6.6	5.6
t <sub>PHL</sub>				6.6	5.6
t <sub>PLH</sub>	CLKAB or CLKBA	BPAR or APAR parity generated	MAX	8.7	7.7
t <sub>PHL</sub>				8.7	7.7
t <sub>PLH</sub>	CLKAB or CLKBA	ERRA or ERRB	MAX	8.9	7.9
t <sub>PHL</sub>				8.9	7.9
t <sub>PLH</sub>	LEAB or LEBA	A or B	MAX	5.8	4.8
t <sub>PHL</sub>				5.8	4.8
t <sub>PLH</sub>	LEAB or LEBA	BPAR or APAR parity feedthrough	MAX	6.3	5.3
t <sub>PHL</sub>				6.3	5.3
t <sub>PLH</sub>	LEAB or LEBA	BPAR or APAR parity generated	MAX	8.4	7.4
t <sub>PHL</sub>				8.4	7.4
t <sub>PLH</sub>	LEAB or LEBA	ERRA or ERRB	MAX	8.5	7.5
t <sub>PHL</sub>				8.5	7.5
t <sub>PZH</sub>	OEAB or OEBA	B, BPAR or A, APAR	MAX	6.3	5.3
t <sub>PZL</sub>				6.3	5.3
t <sub>PHZ</sub>	OEAB or OEBA	B, BPAR or A, APAR	MAX	5.9	4.9
t <sub>P LZ</sub>				5.9	4.9
t <sub>PZH</sub>	OEAB or OEBA	ERRA or ERRB	MAX	5.9	4.9
t <sub>PZL</sub>				5.9	4.9
t <sub>PHZ</sub>	OEAB or OEBA	ERRA or ERRB	MAX	6.7	5.7
t <sub>P LZ</sub>				6.7	5.7
t <sub>PZH</sub>	SEL	ERRA or ERRB	MAX	6.5	5.5
t <sub>PZL</sub>				6.5	5.5
t <sub>PHZ</sub>	SEL	ERRA or ERRB	MAX	5.9	4.9
t <sub>PHZ</sub>				5.9	4.9

UNIT f<sub>max</sub> : MHz other : ns

## 3.3-V 12-BIT UNIVERSAL BUS DRIVER WITH PARITY CHECKER AND DUAL 3-STATE OUTPUTS

Logic Diagram



FUNCTION TABLE

INPUTS				OUTPUTS		
OE	MODE	CLKEN	CLK	A	$1Y_n^\dagger - 8Y_n^\dagger$	$9Y_n^\dagger - 12Y_n^\dagger$
L	L	L	↑	H	H	H
L	L	L	↑	L	L	L
L	L	H	↑	H	$Y_0$	H
L	L	H	↑	L	$Y_0$	L
L	H	X	X	H	H	H
L	H	X	X	L	L	L
H	X	X	X	X	Z	Z

†  $n=1,2$ 

PARI/O FUNCTION†

INPUTS				OUTPUT PARI/O
PAROE	$\Sigma$ OF INPUTS 1A - 10A = H	APAR		
L	0, 2, 4, 6, 8, 10	L	L	
L	1, 3, 5, 7, 9	L	H	
L	0, 2, 4, 6, 8, 10	H	H	
L	1, 3, 5, 7, 9	H	L	
H	X	X	Z	

† This table applies to the first device of a cascaded pair of ALVCH16903 devices.

PARITY FUNCTION

INPUTS						OUTPUT YERR
OE	PAROE‡	11A/YERREN§	PARI/O	$\Sigma$ OF INPUTS 1A - 10A = H	APAR	
L	H	L	L	0, 2, 4, 6, 8, 10	L	H
L	H	L	L	1, 3, 5, 7, 9	L	L
L	H	L	L	0, 2, 4, 6, 8, 10	H	L
L	H	L	L	1, 3, 5, 7, 9	H	H
L	H	L	H	0, 2, 4, 6, 8, 10	L	L
L	H	L	H	1, 3, 5, 7, 9	L	H
L	H	L	H	0, 2, 4, 6, 8, 10	H	H
L	H	L	H	1, 3, 5, 7, 9	H	L
H	X	X	X	X	X	H
L	X	H	X	X	X	H

‡ When used as a single device, PAROE must be tied high.

§ Valid after appropriate number of clock pulses have set internal register.

## ELECTRICAL CHARACTERISTICS AND RECOMMENDED OPERATING CONDITIONS

PARAMETER	MAX or MIN	ALVCH 3V	UNIT
I <sub>CC</sub>	MAX	0.04	mA
I <sub>OH</sub>	MAX	-24	mA
I <sub>OL</sub>	MAX	24	mA

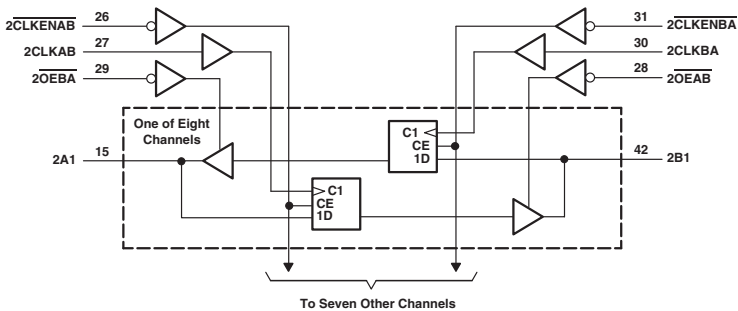
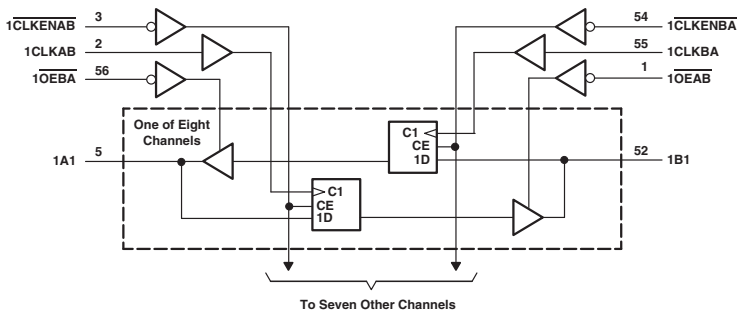
## TIMING REQUIREMENTS AND SWITCHING CHARACTERISTICS

PARAMETER	INPUT	OUTPUT	MAX or MIN	ALVCH 3V	
f <sub>max</sub>			MIN	125	
t <sub>w</sub> Pulse duration	CLK ↑		MIN	3	
t <sub>su</sub> Setup time	1A-12A before CLK ↑, resistor mode		MIN	1.45	
	1A-10A before CLK ↑, buffer mode		MIN	4.4	
	APAR before CLK ↑, resistor mode		MIN	1.3	
	APAR before CLK ↑, buffer mode		MIN	3.1	
	PARI/O before CLK ↑, both mode		MIN	1.7	
	11A/YERREN before CLK ↑, buffer mode		MIN	1.6	
	CLKEN before CLK ↑, resistor mode		MIN	2.2	
	CLKEN before CLK ↑, buffer mode		MIN	0.55	
t <sub>h</sub> Hold time	1A-12A after CLK ↑, resistor mode		MIN	0.25	
	1A-10A after CLK ↑, buffer mode		MIN	0.7	
	APAR after CLK ↑, resistor mode		MIN	0.25	
	APAR after CLK ↑, buffer mode		MIN	0.4	
	PARI/O before CLK ↑, resistor mode		MIN	0.5	
	PARI/O before CLK ↑, buffer mode		MIN	0.4	
	11A/YERREN after CLK ↑, buffer mode		MIN	0.4	
	CLKEN after CLK ↑, resistor mode		MIN	0.4	
t <sub>PLH</sub> t <sub>PHL</sub>	Buffer mode	A	Y	MAX	3.8
					3.8
t <sub>PLH</sub> t <sub>PHL</sub>	Both mode	CLK	YERR	MAX	4.4
					4.4
t <sub>PLH</sub> t <sub>PHL</sub>	Both mode	CLK	PARI / O	MAX	6.6
					6.6
t <sub>PLH</sub> t <sub>PHL</sub>	Both mode	MODE	Y	MAX	4.9
					4.9
t <sub>PLH</sub> t <sub>PHL</sub>	Resistor mode	CLK	Y	MAX	4.8
					4.6
t <sub>PZH</sub> t <sub>PZL</sub>	Both mode	OE	Y	MAX	5.4
					5.4
t <sub>PZH</sub> t <sub>PZL</sub>	Both mode	PAROE	PARI / O	MAX	4.8
					4.8
t <sub>PHZ</sub> t <sub>PLZ</sub>	Both mode	OE	Y	MAX	5
					5
t <sub>PHZ</sub> t <sub>PLZ</sub>	Both mode	PAROE	PARI / O	MAX	3.8
					3.8
t <sub>PLH</sub> t <sub>PHL</sub>	Both mode	OE	YERR	MAX	4
					4.2

UNIT f<sub>max</sub> : MHz other : ns

## 16-BIT REGISTERED TRANSCEIVERS WITH 3-STATE OUTPUTS

Logic Diagram



**FUNCTION TABLE**

INPUTS				OUTPUT
CLKENAB	CLKAB	OEAB	A	B
H	X	L	X	B <sub>0</sub> †
X	L	L	X	B <sub>0</sub> †
L	↑	L	L	L
L	↑	L	H	H
H	X	H	X	Z

† A-to-B data flow is shown; B-to-A data flow is similar but uses CLKENBA, CLKBA, and OEBA.

‡ Level of B before the indicated steady-state input conditions were established.

**ELECTRICAL CHARACTERISTICS AND RECOMMENDED OPERATING CONDITIONS**

PARAMETER	MAX or MIN	ABT	ACT	LVT 3V	LVTH 3V	LVCH 3V	ALVCH 3V	UNIT
I <sub>CC</sub>	MAX	35	0.08	5	5	0.02	0.04	mA
I <sub>OH</sub>	MAX	-32	-24	-32	-32	-24	-24	mA
I <sub>OL</sub>	MAX	64	24	64	64	24	24	mA

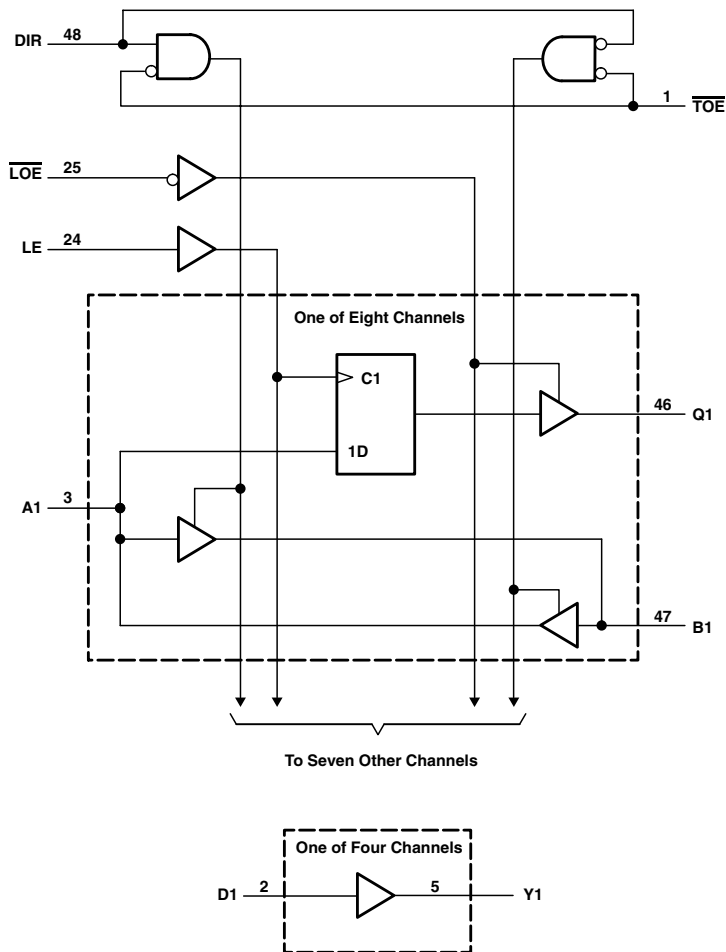
**TIMING REQUIREMENTS AND SWITCHING CHARACTERISTICS**

PARAMETER	INPUT	OUTPUT	MAX or MIN	ABT	ACT	LVT 3V	LVTH 3V	LVCH 3V	ALVCH 3V
f <sub>max</sub>			MIN	150	75	150	150	150	150
t <sub>w</sub> Pulse duration	CLKEN high (SN74LVT: CLKEN high)		MIN	-	-	3.3	-	-	3.3
	CLK high or low			3.3	6.7	3.3	3.3	3.3	3.3
t <sub>su</sub> Setup time	Data before CLK		MIN	3.5	5	2.1	1.7	2.8	1.5
	CLKEN before CLK			3	6.5	1.2	2	1.4	1
t <sub>h</sub> Hold time	Data after CLK		MIN	1	1	0.7	0.8	0.5	0.8
	CLKEN after CLK			1	0	1.4	0.4	1.9	1.1
t <sub>PLH</sub>	CLK	A or B	MAX	4.3	11.8	5.8	4.4	6.6	3.9
t <sub>PHL</sub>				4.5	11.7	5.8	4.4	6.6	3.9
t <sub>PZH</sub>	OEBA or OEAB	A or B	MAX	4.6	11.2	5.6	4.9	6.6	4.4
t <sub>PZL</sub>				6	13	6.5	4.9	6.6	4.4
t <sub>PHZ</sub>	OEBA or OEAB	A or B	MAX	5.5	9.4	6.3	6.2	6.7	4
t <sub>PLZ</sub>				4.2	8.7	5.1	5.3	6.7	4

UNIT f<sub>max</sub> : MHz other : ns

# 8-BIT BUS TRANSCEIVER AND TRANSPARENT D-TYPE LATCH WITH FOUR INDEPENDENT BUFFERS

Logic Diagram



**FUNCTION TABLE**

INPUTS		OPERATION
TOE	DIR	
L	L	B data to A bus
L	H	A data to B bus
H	X	A bus and B bus Isolation

INPUTS			OUTPUT Q
LOE	LE	A	
L	H	H	H
L	H	L	L
L	L	X	Q <sub>0</sub>
H	X	X	Z

INPUT D	OUTPUT Y
L	L
H	H

**ELECTRICAL CHARACTERISTICS AND RECOMMENDED OPERATING CONDITIONS**

PARAMETER	MAX or MIN	ALVCH 3V	UNIT
I <sub>CC</sub>	MAX	0.03	mA
I <sub>OH</sub>	MAX	-24	mA
I <sub>OL</sub>	MAX	24	mA

**TIMING REQUIREMENTS AND SWITCHING CHARACTERISTICS**

PARAMETER	INPUT	OUTPUT	MAX or MIN	ALVCH 3V
t <sub>w</sub> Pulse duration	LE high		MIN	2
t <sub>su</sub> Setup time	data before LE ↓		MIN	0.9
t <sub>h</sub> Hold time	data after LE ↓		MIN	0.9
t <sub>PLH</sub>	D	Y	MAX	3
t <sub>PHL</sub>				3
t <sub>PLH</sub>	A	Q	MAX	3
t <sub>PHL</sub>				3
t <sub>PLH</sub>	LE	Q	MAX	3
t <sub>PHL</sub>				3
t <sub>PLH</sub>	A or B	B or A	MAX	3
t <sub>PHL</sub>				3
t <sub>PZH</sub>	LOE	Q	MAX	4.7
t <sub>PZL</sub>				4.7
t <sub>PZH</sub>	TOE	A or B	MAX	4.4
t <sub>PZL</sub>				4.4
t <sub>PZH</sub>	DIR	A or B	MAX	4.7
t <sub>PZL</sub>				4.7
t <sub>PHZ</sub>	LOE	Q	MAX	4.1
t <sub>PLZ</sub>				4.1
t <sub>PHZ</sub>	TOE	A or B	MAX	4.1
t <sub>PLZ</sub>				4.1
t <sub>PHZ</sub>	DIR	A or B	MAX	4.7
t <sub>PLZ</sub>				4.7

UNIT: ns

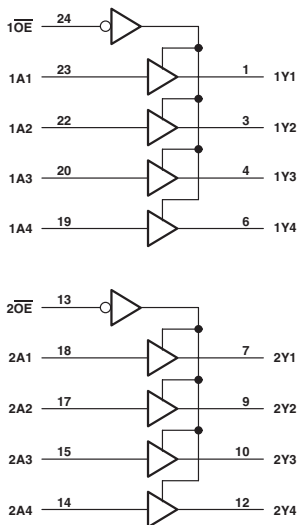


## 25244

### 25-Ω OCTAL BUFFER/DRIVER WITH 3-STATE OUTPUTS

- High Output Drive Current
- Distributed  $V_{CC}$  and GND Pins Minimize Noise Generated by the Simultaneous Switching of Outputs

#### Logic Diagram



#### FUNCTION TABLE (each buffer/driver)

INPUTS		OUTPUT
$\overline{OE}$	A	Y
L	H	H
L	L	L
H	X	Z

#### ELECTRICAL CHARACTERISTICS AND RECOMMENDED OPERATING CONDITIONS

PARAMETER	MAX or MIN	SN74 BCT	SN64 BCT	UNIT
$I_{CC}$	MAX	119	119	mA
$I_{OH}$	MAX	-80	-80	mA
$I_{OL}$	MAX	188	188	mA

#### SWITCHING CHARACTERISTICS

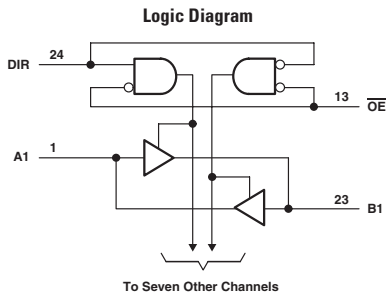
PARAMETER	INPUT	OUTPUT	MAX or MIN	SN74 BCT	SN64 BCT
$t_{PLH}$	A	Y	MAX	5.5	5.5
$t_{PHL}$				6	6.3
$t_{PZH}$	$\overline{OE}$	Y	MAX	9.3	9.7
$t_{PZL}$				10.2	10.4
$t_{PHZ}$	$\overline{OE}$	Y	MAX	6.3	6.5
$t_{PLZ}$				8.4	9.5

UNIT: ns

## 25245

### 25-Ω OCTAL BUS TRANSCEIVERS WITH 3-STATE OUTPUTS

- High Output Drive Current
- Distributed  $V_{CC}$  and GND Pins Minimize Noise Generated by the Simultaneous Switching of Outputs



**FUNCTION TABLE**

INPUTS		OPERATION
OE	DIR	
L	L	B data to A bus
L	H	A data to B bus
H	X	Isolation

#### ELECTRICAL CHARACTERISTICS AND RECOMMENDED OPERATING CONDITIONS

PARAMETER	MAX or MIN	SN74 BCT	SN64 BCT	ABTH	UNIT
$I_{CC}$	MAX	125	125	20	mA
$I_{OH}$ (A port)	MAX	-80	-80	-80	mA
$I_{OH}$ (B port)	MAX	-3	-3	-32	mA
$I_{OL}$ (A port)	MAX	188	188	188	mA
$I_{OL}$ (B port)	MAX	24	24	64	mA

#### SWITCHING CHARACTERISTICS

PARAMETER	INPUT	OUTPUT	MAX or MIN	SN74 BCT	SN64 BCT	ABTH
$t_{PLH}$	A	B	MAX	5.7	5.7	3.9
$t_{PHL}$				7.2	7.3	4.3
$t_{PLH}$	B	A	MAX	5.5	5.5	3.9
$t_{PHL}$				6.2	6.3	4.3
$t_{PZH}$	$\overline{OE}$	A	MAX	9.6	9.7	6.5
$t_{PZL}$				10.3	10.6	6.8
$t_{PHZ}$	$\overline{OE}$	A	MAX	6.2	6.2	7.2
$t_{PLZ}$				8.3	8.8	6.4
$t_{PZH}$	$\overline{OE}$	B	MAX	8.9	8.9	6.5
$t_{PZL}$				9.7	9.9	6.8
$t_{PHZ}$	$\overline{OE}$	B	MAX	6.9	6.9	7.2
$t_{PLZ}$				7.5	7.7	6.4

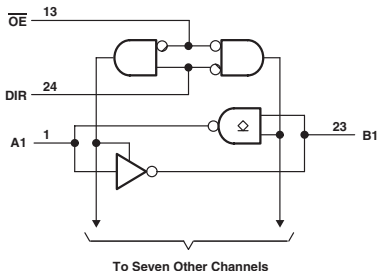
UNIT: ns

# 25642

## 25-Ω OCTAL BUS TRANSCEIVER

- High Output Drive Current
- Distributed  $V_{CC}$  and GND Pins Minimize Noise Generated by the Simultaneous Switching of Outputs

Logic Diagram



### FUNCTION TABLE

INPUTS		OPERATION
OE	DIR	
L	L	B data to A bus
L	H	A data to B bus
H	X	Isolation

### ELECTRICAL CHARACTERISTICS AND RECOMMENDED OPERATING CONDITIONS

PARAMETER	MAX or MIN	SN74 BCT	UNIT
$I_{CC}$	MAX	125	mA
$I_{OH}$ (B port)	MAX	-3	mA
$I_{OL}$ (A port)	MAX	188	mA
$I_{OL}$ (B port)	MAX	24	mA
$V_{OH}$ (A port)	MAX	5.5	V

### SWITCHING CHARACTERISTICS

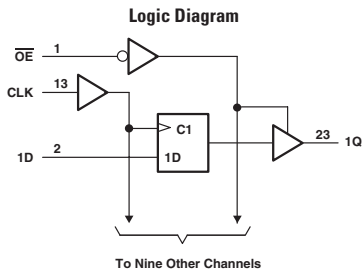
PARAMETER	INPUT	OUTPUT	MAX or MIN	SN74 BCT
$t_{PLH}$	A	B	MAX	6.2
$t_{PHL}$				4
$t_{PLH}$	B	A	MAX	6.3
$t_{PHL}$				5.9
$t_{PLH}$	$\overline{OE}$	A	MAX	11.6
$t_{PHL}$				11.3
$t_{PZH}$	$\overline{OE}$	B	MAX	9.1
$t_{PZL}$				9.8
$t_{PHZ}$	$\overline{OE}$	B	MAX	7.3
$t_{PLZ}$				7.3

UNIT: ns

# 29821

## 10-BIT BUS-INTERFACE FLIP-FLOPS WITH 3-STATE OUTPUTS

- 3-State Outputs
- Data Flow-Through Pinout



**FUNCTION TABLE**  
(each flip-flop)

INPUTS			OUTPUT
OE	CLK	D	Q
L	↑	H	H
L	↑	L	L
L	H or L	X	Q <sub>0</sub>
H	X	X	Z

### ELECTRICAL CHARACTERISTICS AND RECOMMENDED OPERATING CONDITIONS

PARAMETER	MAX or MIN	ALS	SN74 BCT	UNIT
I <sub>CC</sub>	MAX	115	35	mA
I <sub>OH</sub>	MAX	-24	-24	mA
I <sub>OL</sub>	MAX	48	48	mA

### TIMING REQUIREMENTS AND SWITCHING CHARACTERISTICS

PARAMETER	INPUT	OUTPUT	MAX or MIN	ALS	SN74 BCT
f <sub>max</sub>				-	125
t <sub>w</sub> Pulse duration	CLK high or low		MIN	7	7
t <sub>su</sub> Setup time	Data before CLK ↑		MIN	4	7
t <sub>h</sub> Hold time	Data after CLK ↑		MIN	2	1
t <sub>PLH</sub>	CLK	Q	MAX	10	12
t <sub>PHL</sub>				10	10
t <sub>PZH</sub>	OE	Q	MAX	14	12
t <sub>PZL</sub>				14	13
t <sub>PHZ</sub>	OE	Q	MAX	14	8
t <sub>PZL</sub>				12	8

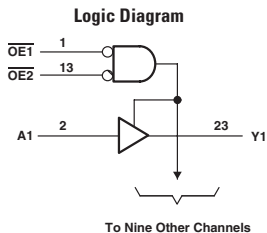
UNIT f<sub>max</sub> : MHz other : ns



## 29827

### 10-BIT BUFFERS/DRIVERS WITH 3-STATE OUTPUTS

- pnp Inputs Reduce dc Loading
- 3-State Outputs
- Data Flow-Through Pinout



**FUNCTION TABLE**

INPUTS			OUTPUT
OE1	OE2	A	Y
L	L	L	L
L	L	H	H
L	X	X	Z
H	H	X	Z

#### ELECTRICAL CHARACTERISTICS AND RECOMMENDED OPERATING CONDITIONS

PARAMETER	MAX or MIN	ALS	SN74 BCT	UNIT
I <sub>CC</sub>	MAX	40	40	mA
I <sub>OH</sub>	MAX	-24	-24	mA
I <sub>OL</sub>	MAX	48	48	mA

#### SWITCHING CHARACTERISTICS

PARAMETER	INPUT	OUTPUT	MAX or MIN	ALS	SN74 BCT
t <sub>PLH</sub>	A	Y	MAX	7	5.5
				7.5	7.5
t <sub>PHL</sub>	OE	Y	MAX	15	9.1
				15	12.8
t <sub>PHZ</sub>	OE	Y	MAX	17	8.8
				12	8.4

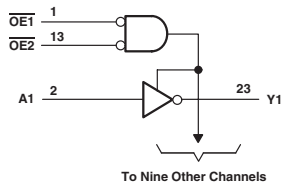
UNIT: ns

## 29828

### 10-BIT BUFFERS/DRIVERS WITH 3-STATE OUTPUTS

- pnp Inputs Reduce dc Loading
- 3-State Outputs
- Data Flow-Through Pinout

Logic Diagram



#### ELECTRICAL CHARACTERISTICS AND RECOMMENDED OPERATING CONDITIONS

PARAMETER	MAX or MIN	ALS	UNIT
$I_{CC}$	MAX	40	mA
$I_{OH}$	MAX	-24	mA
$I_{OL}$	MAX	48	mA

#### SWITCHING CHARACTERISTICS

PARAMETER	INPUT	OUTPUT	MAX or MIN	ALS
$t_{PLH}$	A	Y	MAX	7
$t_{PHL}$				7.5
$t_{PZH}$	$\overline{OE}$	Y	MAX	15
$t_{PZL}$				15
$t_{PHZ}$	$\overline{OE}$	Y	MAX	17
$t_{PLZ}$				12

UNIT: ns

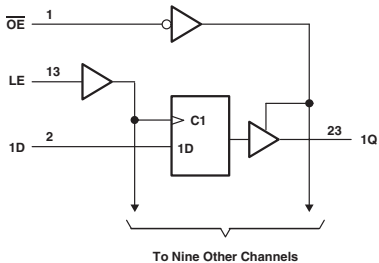
**NOTICE : ALS IS NOT RECOMMENDED FOR NEW DESIGNS**

# 29841

## 10-BIT BUS INTERFACE D-TYPE LATCHES WITH 3-STATE OUTPUTS

- 3-State Outputs
- Data Flow-Through Pinout

Logic Diagram



FUNCTION TABLE

INPUTS			OUTPUT
$\overline{OE}$	LE	D	Q
L	H	H	H
L	H	L	L
L	L	X	Q <sub>0</sub>
H	X	X	Z

### ELECTRICAL CHARACTERISTICS AND RECOMMENDED OPERATING CONDITIONS

PARAMETER	MAX or MIN	ALS	SN74 BCT	UNIT
I <sub>CC</sub>	MAX	85	35	mA
I <sub>OH</sub>	MAX	-24	-24	mA
I <sub>OL</sub>	MAX	48	48	mA

### TIMING REQUIREMENTS AND SWITCHING CHARACTERISTICS

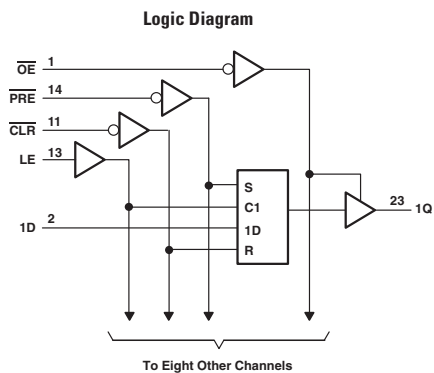
PARAMETER	INPUT	OUTPUT	MAX or MIN	ALS	SN74 BCT
t <sub>w</sub> Pulse duration	LE high or low		MIN	6	4
t <sub>su</sub> Setup time	Data before LE ↓		MIN	2.5	2
t <sub>h</sub> Hold time	Data after LE ↓, high		MIN	4.5	1.5
	Data after LE ↓, low		MIN	4.5	3.5
t <sub>PLH</sub>	D	Q	MAX	9.5	7.5
t <sub>PHL</sub>				9.5	8.6
t <sub>PLH</sub>	LE	Q	MAX	12	8.6
t <sub>PHL</sub>				12	8.1
t <sub>PZH</sub>	$\overline{OE}$	Q	MAX	14	9.2
t <sub>PZL</sub>				14	12.8
t <sub>PHZ</sub>	$\overline{OE}$	Q	MAX	15	6.9
t <sub>PLZ</sub>				12	6.9

UNIT: ns



## 9-BIT BUS INTERFACE D-TYPE LATCHES WITH 3-STATE OUTPUTS

- 3-State Outputs
- Data Flow-Through Pinout



FUNCTION TABLE

INPUTS					OUTPUT Q
PRE	CLR	OE	LE	D	
L	X	L	X	X	H
H	L	L	X	X	L
H	H	L	H	L	L
H	H	L	H	H	H
H	H	L	L	X	Q <sub>0</sub>
X	X	H	X	X	Z

## ELECTRICAL CHARACTERISTICS AND RECOMMENDED OPERATING CONDITIONS

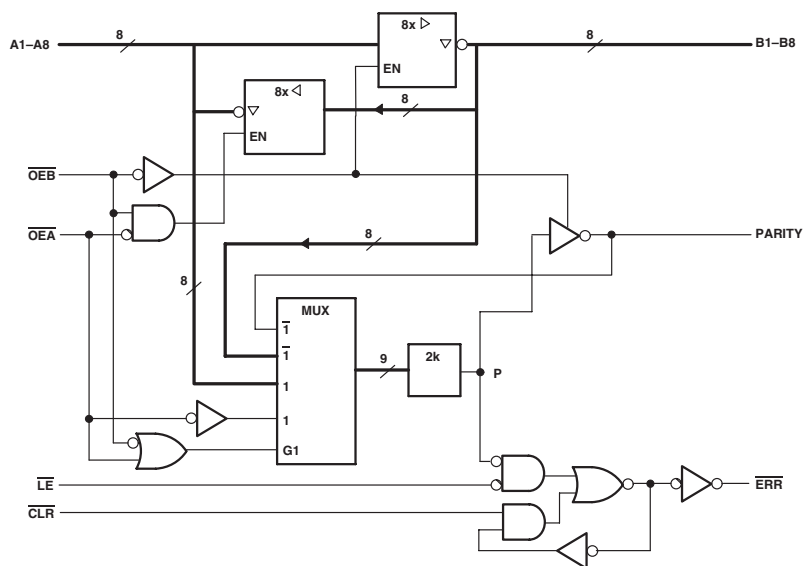
PARAMETER	MAX or MIN	SN74 BCT	UNIT
I <sub>CC</sub>	MAX	35	mA
I <sub>OH</sub>	MAX	-24	mA
I <sub>OL</sub>	MAX	48	mA

## TIMING REQUIREMENTS AND SWITCHING CHARACTERISTICS

PARAMETER	INPUT	OUTPUT	MAX or MIN	SN74 BCT
t <sub>w</sub> Pulse duration	PRE low		MIN	7
	CLR low			5
	LE high			4
t <sub>su</sub> Setup time	Data before LE ↓, high or low		MIN	1.5
	PRE or CLR inactive			2
t <sub>h</sub> Hold time	Data after LE ↓, high or low		MIN	3.5
t <sub>PLH</sub>	D	Q	MAX	8
t <sub>PHL</sub>				9
t <sub>PLH</sub>	LE	Q	MAX	10
t <sub>PHL</sub>				10
t <sub>PLH</sub>	PRE	Q	MAX	12
t <sub>PHL</sub>				12
t <sub>PLH</sub>	CLR	Q	MAX	12
t <sub>PHL</sub>				12
t <sub>PZH</sub>	OE	Q	MAX	15
t <sub>PZL</sub>				15
t <sub>PHZ</sub>	OE	Q	MAX	8
t <sub>PLZ</sub>				8

UNIT: ns

Logic Diagram



**FUNCTION TABLE**

INPUTS							OUTPUT AND I/O				OPERATION
OEB	OEA	CLR	LE	Ai Σ of Hs Odd Even	Bit Σ of Ls NA	A	B	PARITY	ERR‡		
L	H	X	X	Odd	NA	NA	$\bar{A}$	H L	NA	$\bar{A}$ data to B bus and generate parity	
H	L	X	L	NA	Odd Even	$\bar{B}$	NA	NA	H L	$\bar{B}$ data to A bus and check parity	
H	L	H	H	NA	X	X	NA	NA	N-1	Store error flag	
X	X	L	H	X	X	X	NA	NA	H	Clear error-flag register	
H	H	X	X	Odd Even	NA	Z	Z	Z	H L H	Isolation§	
L	L	X	X	Odd Even	NA	NA	$\bar{A}$	L H	NA	$\bar{A}$ data to B bus and generate inverted parity	

NA = not applicable, NC = no change, X = don't care

† Summation of high-level inputs includes PARITY along with Bi inputs.

‡ Output states Shown assume ERR was previously high.

§ In this mode, ERR, when enabled, shows inverted parity of the A bus.

**ELECTRICAL CHARACTERISTICS AND RECOMMENDED OPERATING CONDITIONS**

PARAMETER	MAX or MIN	ALS	SN74 BCT	UNIT
I <sub>CC</sub>	MAX	100	80	mA
I <sub>OH</sub>	MAX	-24	-24	mA
I <sub>OL</sub>	MAX	48	48	mA

**TIMING REQUIREMENTS AND SWITCHING CHARACTERISTICS**

PARAMETER	INPUT	OUTPUT	MAX or MIN	ALS	SN74 BCT
t <sub>w</sub> Pulse duration	$\overline{LE}$ high		MIN	10	-
	$\overline{LE}$ low		MIN	10	10
	$\overline{CLR}$ low		MIN	10	10
t <sub>su</sub> Setup time	Before $\overline{LE}$ ↓, Bi and PARITY		MIN	10	18
	Before $\overline{LE}$ ↓, $\overline{CLR}$ high		MIN	15	-
t <sub>h</sub> Hold time	Bi and PARITY after $\overline{LE}$ ↓		MIN	3	8
t <sub>PLH</sub>	A or B	B or A	MAX	8	8
t <sub>PHL</sub>				8	8
t <sub>PLH</sub>	A	PARITY	MAX	15	15
t <sub>PHL</sub>				18	15
t <sub>PZH</sub>				17	17
t <sub>PZL</sub>	$\overline{OEA}$ or $\overline{OEB}$	A or B	MAX	17	19
t <sub>PHZ</sub>				15	15
t <sub>PLZ</sub>	$\overline{OEA}$ or $\overline{OEB}$	A or B	MAX	8	17
t <sub>PHL</sub>				$\overline{LE}$	$\overline{ERR}$
t <sub>PLH</sub>	$\overline{CLR}$	$\overline{ERR}$	MAX	12	15
t <sub>PLH</sub>	$\overline{OEA}$	PARITY	MAX	17	15
t <sub>PHL</sub>				19	16
t <sub>PLH</sub>	Bi / PARITY	$\overline{ERR}$	MAX	20	20
t <sub>PHL</sub>				20	15

UNIT: ns

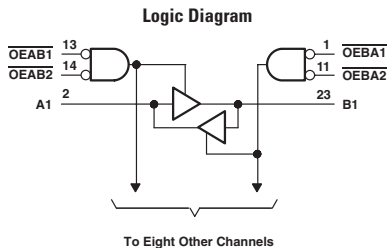
# 29863

## 9-BIT BUS TRANSCEIVERS WITH 3-STATE OUTPUTS

- True Outputs

### FUNCTION TABLE

INPUTS				OPERATION
$\overline{OEAB1}$	$\overline{OEAB2}$	$\overline{OEBA1}$	$\overline{OEBA2}$	
L	L	L	L	Latch A and B
L	L	H	X	A to B
L	L	X	H	A to B
H	X	L	L	B to A
X	H	L	L	B to A
H	X	H	X	Isolation
H	X	X	H	
X	H	X	H	
X	H	H	X	



### ELECTRICAL CHARACTERISTICS AND RECOMMENDED OPERATING CONDITIONS

PARAMETER	MAX or MIN	ALS	SN74 BCT	UNIT
$I_{CC}$	MAX	65	45	mA
$I_{OH}$	MAX	-24	-24	mA
$I_{OL}$	MAX	48	48	mA

### SWITCHING CHARACTERISTICS

PARAMETER	INPUT	OUTPUT	MAX or MIN	ALS	SN74 BCT
$t_{PLH}$	A or B	B or A	MAX	8	5
$t_{PHL}$				8	7.5
$t_{PZH}$	$\overline{OEAB}$ or $\overline{OEBA}$	A or B	MAX	15	8.4
$t_{PZL}$				15	12.6
$t_{PHZ}$	$\overline{OEAB}$ or $\overline{OEBA}$	A or B	MAX	17	8.8
$t_{PLZ}$				12	8.1

UNIT: ns

# 29864

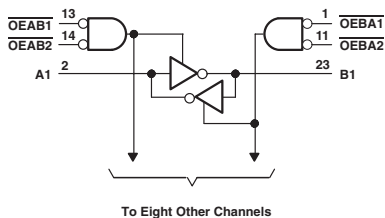
## 9-BIT BUS TRANSCEIVER WITH 3-STATE OUTPUTS

- Inverted Outputs

FUNCTION TABLE

INPUTS				OPERATION
$\overline{OEAB1}$	$\overline{OEAB2}$	$\overline{OEBA1}$	$\overline{OEBA2}$	
L	L	L	L	Latch A and B
L	L	H	X	$\overline{A}$ to B
L	L	X	H	$\overline{B}$ to A
H	X	L	L	$\overline{B}$ to A
X	H	L	L	$\overline{B}$ to A
H	X	H	X	Isolation
H	X	X	H	
X	H	X	H	
X	H	H	X	

Logic Diagram



To Eight Other Channels

### ELECTRICAL CHARACTERISTICS AND RECOMMENDED OPERATING CONDITIONS

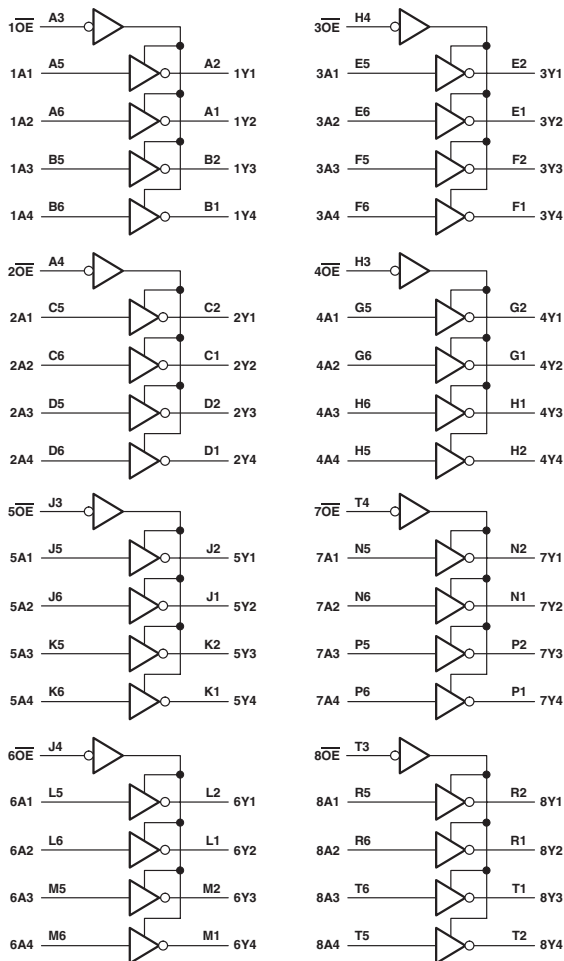
PARAMETER	MAX or MIN	SN74 BCT	UNIT
$I_{CC}$	MAX	45	mA
$I_{OH}$	MAX	-24	mA
$I_{OL}$	MAX	48	mA

### SWITCHING CHARACTERISTICS

PARAMETER	INPUT	OUTPUT	MAX or MIN	SN74 BCT
$t_{PLH}$	A or B	B or A	MAX	6.1
$t_{PHL}$				4.8
$t_{PZH}$	$\overline{OEAB}$ or $\overline{OEBA}$	A or B	MAX	8.4
$t_{PZL}$				12.5
$t_{PHZ}$	$\overline{OEAB}$ or $\overline{OEBA}$	A or B	MAX	8.4
$t_{PLZ}$				8.2

UNIT: ns

Logic Diagram



**FUNCTION TABLE**

(each 4bit buffer/driver)

INPUTS		OUTPUT
OE	A	Y
L	H	L
L	L	H
H	X	Z

**ELECTRICAL CHARACTERISTICS AND RECOMMENDED OPERATING CONDITIONS**

PARAMETER	MAX or MIN	LVCZ 3V	LVT	UNIT
I <sub>CC</sub>	MAX	0.2	10	mA
I <sub>OH</sub>	MAX	-24	-32	mA
I <sub>OL</sub>	MAX	24	64	mA

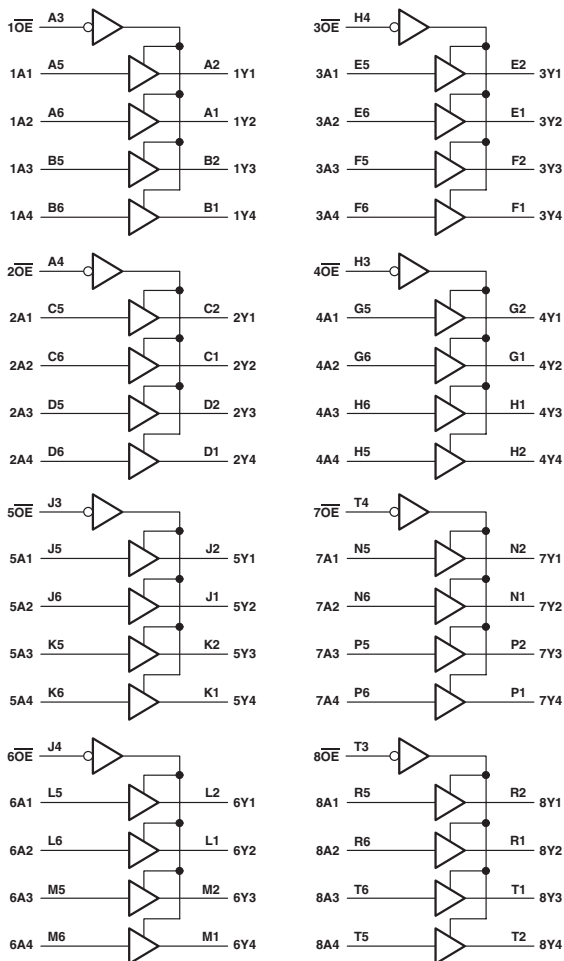
**SWITCHING CHARACTERISTICS**

PARAMETER	INPUT	OUTPUT	MAX or MIN	LVCZ 3V	LVT
t <sub>PLH</sub>	A	Y	MAX	4.2	3.5
t <sub>PHL</sub>			MAX	4.2	3.5
t <sub>PZH</sub>	OE	Y	MAX	4.7	4
t <sub>PZL</sub>			MAX	4.7	4.4
t <sub>PHZ</sub>	OE	Y	MAX	5.9	4.5
t <sub>PLZ</sub>			MAX	5.9	4.2

UNIT:ns



Logic Diagram



**FUNCTION TABLE**

INPUTS		OUTPUT	
OE	A	Y	
L	H	H	
L	L	L	
H	X	Z	

**ELECTRICAL CHARACTERISTICS AND RECOMMENDED OPERATING CONDITIONS**

PARAMETER	MAX or MIN	LVT 3V	LVTH 3V	ALVTH 3V	LVC 3V	LVCH 3V	LVCZ 3V	ALVCH 3V	AUC 1.8V	AUC 2.3V	AUCH 1.8V	AUCH 2.3V	UNIT
I <sub>CC</sub>	MAX	10	10	5	0.04	0.04	0.2	0.08	0.04	0.04	0.04	0.04	mA
I <sub>OH</sub>	MAX	-32	-32	-32	-24	-24	-24	-24	-8	-9	-8	-9	mA
I <sub>OL</sub>	MAX	64	64	64	24	24	24	24	8	9	8	9	mA

**SWITCHING CHARACTERISTICS**

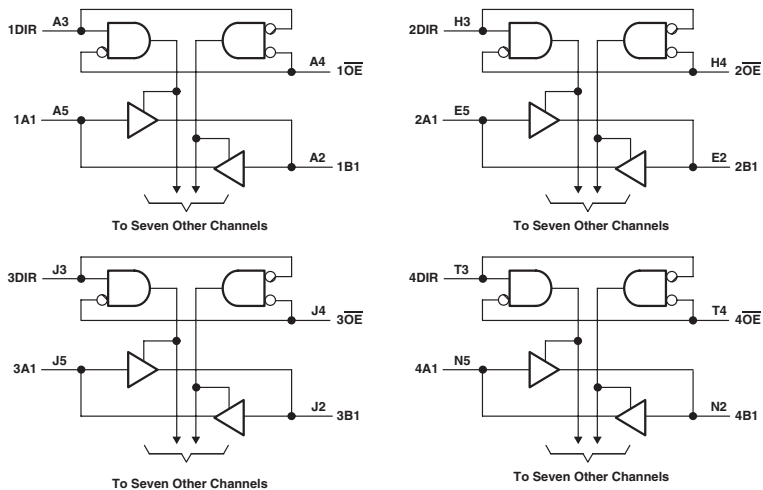
PARAMETER	INPUT	OUTPUT	MAX or MIN	LVT 3V	LVTH 3V	ALVTH 3V	LVC 3V	LVCH 3V	LVCZ 3V	ALVCH 3V	AUC 1.8V
t <sub>PLH</sub>	A	Y	MAX	3.2	3.2	2.4	4.1	4.1	4.1	3	1.8
t <sub>PHL</sub>				3.2	3.2	2.5	4.1	4.1	4.1	3	1.8
t <sub>PZH</sub>	$\overline{OE}$	Y	MAX	4	4	3.8	4.6	4.6	4.6	4.4	2.5
t <sub>PZL</sub>				4	4	2.9	4.6	4.6	4.6	4.4	2.5
t <sub>PHZ</sub>	$\overline{OE}$	Y	MAX	4.5	4.5	4.2	5.8	5.8	5.8	4.1	4.0
t <sub>PLZ</sub>				4.2	4.2	3.6	5.8	5.8	5.8	4.1	4.0

PARAMETER	INPUT	OUTPUT	MAX or MIN	AUC 2.3V	AUCH 1.8V	AUCH 2.3V
t <sub>PLH</sub>	A	Y	MAX	1.8	1.8	1.8
t <sub>PHL</sub>				1.8	1.8	1.8
t <sub>PZH</sub>	$\overline{OE}$	Y	MAX	1.9	2.5	1.9
t <sub>PZL</sub>				1.9	2.5	1.9
t <sub>PHZ</sub>	$\overline{OE}$	Y	MAX	2	4.0	2
t <sub>PLZ</sub>				2	4.0	2

UNIT: ns

## 32-BIT BUS TRANSCEIVER WITH 3-STATE OUTPUTS

Logic Diagram

FUNCTION TABLE  
(each 9-bit section)

INPUTS		OPERATION
OE	DIR	
L	L	B data to A bus
L	H	A data to B bus
H	X	Isolation

## ELECTRICAL CHARACTERISTICS AND RECOMMENDED OPERATING CONDITIONS

PARAMETER	MAX or MIN	ABT	ABTH	LVTH 3V	LVC 3V	LVCV 3V	LVCHR 3V	LVCR 3V	LVCZ 3V	ALVCH 3V	AUC 1.8V	AUC 2.3V	UNIT
I <sub>CC</sub>	MAX	20	20	10	0.02	0.04	0.04	0.02	0.12	0.08	0.04	0.04	mA
I <sub>OH</sub>	MAX	-32	-32	-32	-24	-24	-12	-12	-24	-24	-8	-9	mA
I <sub>OL</sub>	MAX	64	64	64	24	24	12	12	24	24	8	9	mA

## SWITCHING CHARACTERISTICS

PARAMETER	INPUT	OUTPUT	MAX or MIN	ABT	ABTH	LVTH 3V	LVC 3V	LVCV 3V	LVCHR 3V	LVCR 3V	LVCZ 3V	UNIT
t <sub>PLH</sub>	A or B	B or A	MAX	5	5	3.3	4	4	4.8	4.8	4.0	
				5.2	5.2	3.3	4	4	4.8	4.8	4.0	
t <sub>PZH</sub>	$\overline{OE}$	B or A	MAX	7.3	7.3	4.5	5.5	5.5	6.3	6.3	5.6	
				8.1	8.1	4.6	5.5	5.5	6.3	6.3	5.6	
t <sub>PZL</sub>	$\overline{OE}$	B or A	MAX	6.5	6.5	5.1	6.6	6.6	7.4	7.4	6.6	
				6.9	6.9	5.1	6.6	6.6	7.4	7.4	6.6	

PARAMETER	INPUT	OUTPUT	MAX or MIN	ALVCH 3V	AUC 1.8V	AUC 2.3V
t <sub>PLH</sub>	A or B	B or A	MAX	3	2.0	1.9
				3	2.0	1.9
t <sub>PZH</sub>	$\overline{OE}$	B or A	MAX	4.4	3.1	2.6
				4.4	3.1	2.6
t <sub>PZL</sub>	$\overline{OE}$	B or A	MAX	4.1	4.8	2.9
				4.1	4.8	2.9

UNIT: ns



**FUNCTION TABLE  
STORAGE†**

INPUTS				OUTPUT
CLKENA	CLKA	LEA	A	
H	X	L	X	Q <sub>0</sub> †
L	↑	L	L	L
L	↑	L	H	H
X	H	L	X	Q <sub>0</sub> †
X	L	L	X	Q <sub>0</sub> †
X	X	H	L	L
X	X	H	H	H

† A-port register shown, B and C ports are similar but use CLKENB, CLKENC, CLKB, CLKC, LEB, and LEC.

‡ Output level before the indicated steady-state input conditions were established.

**A-PORT OUTPUT**

INPUTS		OUTPUT A
OEA	SELA	
H	X	Z
L	H	Output of C register
L	L	Output of B register

**B-PORT OUTPUT**

INPUTS		OUTPUT B
OEB	SELB	
H	X	Z
L	H	Output of A register
L	L	Output of C register

**C-PORT OUTPUT**

INPUTS		OUTPUT C
OEC	SELC	
H	X	Z
L	H	Output of B register
L	L	Output of A register

**ELECTRICAL CHARACTERISTICS AND RECOMMENDED OPERATING CONDITIONS**

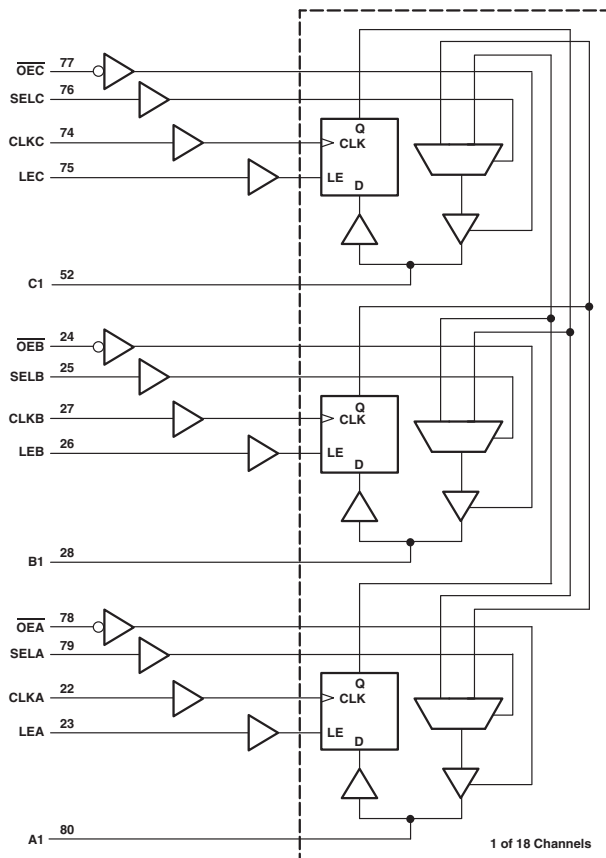
PARAMETER	MAX or MIN	ABTH	UNIT
I <sub>CC</sub>	MAX	40	mA
I <sub>OH</sub>	MAX	-32	mA
I <sub>OL</sub>	MAX	64	mA

**TIMING REQUIREMENTS AND SWITCHING CHARACTERISTICS**

PARAMETER	INPUT	OUTPUT	MAX or MIN	ABTH
t <sub>max</sub>			MIN	150
t <sub>w</sub> Pulse duration	LE high		MIN	3.3
	CLK high or low		MIN	3.3
t <sub>su</sub> Setup time	A, B, or C before CLK ↑		MIN	2.4
	A or B before LE ↓		MIN	2.1
	CLKEN before CLK ↑		MIN	3.2
t <sub>h</sub> Hold time	A, B, or C after CLK ↑		MIN	1.4
	A or B after LE ↓		MIN	2.1
	CLKEN after CLK ↑		MIN	1.1
t <sub>PLH</sub>	A, B, or C	C, B, or A	MAX	6.1
t <sub>PHL</sub>			6.6	
t <sub>PLH</sub>	SEL	A, B, or C	MAX	6.5
t <sub>PHL</sub>			6.5	
t <sub>PLH</sub>	LE	A, B, or C	MAX	7.5
t <sub>PHL</sub>			6.9	
t <sub>PLH</sub>	CLK	A, B, or C	MAX	7.5
t <sub>PHL</sub>			6.7	
t <sub>PZH</sub>	$\overline{OE}$	A, B, or C	MAX	6.4
t <sub>PZL</sub>			6.8	
t <sub>PHZ</sub>	$\overline{OE}$	A, B, or C	MAX	6
t <sub>PLZ</sub>			6.1	

UNIT f<sub>max</sub> : MHz other : ns

Logic Diagram



**FUNCTION TABLE  
STORAGE**

CLKA	INPUTS		OUTPUT
	LEA	A	
↑	L	L	L
↑	L	H	H
H	L	X	$Q_0^\dagger$
L	L	X	$Q_0^\dagger$
X	H	L	L
X	H	H	H

† A-port register shown. B and C ports are similar but use CLKB, CLKC, LEB, and LEC.  
‡ Output level before the indicated steady-state input conditions were established.

**A-PORT OUTPUT**

INPUTS		OUTPUT A
OEA	SELA	
H	X	Z
L	H	Output of C register
L	L	Output of B register

**B-PORT OUTPUT**

INPUTS		OUTPUT B
OEB	SELB	
H	X	Z
L	H	Output of A register
L	L	Output of C register

**C-PORT OUTPUT**

INPUTS		OUTPUT C
OEC	SELC	
H	X	Z
L	H	Output of B register
L	L	Output of A register

**ELECTRICAL CHARACTERISTICS AND RECOMMENDED OPERATING CONDITIONS**

PARAMETER	MAX or MIN	ABTH	UNIT
ICC	MAX	45	mA
IDH	MAX	-32	mA
IOL	MAX	64	mA

**TIMING REQUIREMENTS AND SWITCHING CHARACTERISTICS**

PARAMETER	INPUT	OUTPUT	MAX or MIN	ABTH
$f_{max}$			MIN	150
$t_w$ Pulse duration	LE high		MIN	3.3
	CLK high or low		MIN	3.3
$t_{su}$ Setup time	A, B, or C before CLK ↑		MIN	2.4
	A, B, or C before LE ↓		MIN	2.1
$t_h$ Hold time	A, B, or C after CLK ↑		MIN	1.4
	A, B, or C after LE ↓		MIN	2.1
TPLH	A, B, or C	C, B, or A	MAX	6.1
				6.6
TPLH	SEL	A, B, or C	MAX	6.5
				6.5
TPLL	LE	A, B, or C	MAX	7.5
				6.9
TPLL	CLK	A, B, or C	MAX	7.4
				6.7
TPZH	$\overline{OE}$	A, B, or C	MAX	6.8
				7.1
TPHZ	$\overline{OE}$	A, B, or C	MAX	6.2
				6

UNIT  $f_{max}$ : MHz other: ns





## ELECTRICAL CHARACTERISTICS AND RECOMMENDED OPERATING CONDITIONS

PARAMETER	MAX or MIN	LVTH 3V	ALVTH 3V	LVC 3V	LVCH 3V	UNIT
I <sub>CC</sub>	MAX	10	5	0.04	0.04	mA
I <sub>OH</sub>	MAX	-32	-32	-24	-24	mA
I <sub>OL</sub>	MAX	64	64	24	24	mA

## TIMING REQUIREMENTS AND SWITCHING CHARACTERISTICS

PARAMETER	INPUT	OUTPUT	MAX or MIN	LVTH 3V	ALVTH 3V	LVC 3V	LVCH 3V
t <sub>w</sub> Pulse duration, LE high or low			MIN	3	1.5	3.3	3.3
t <sub>su</sub> Setup time	Data before LE ↓, data high		MIN	1	1.4	1.7	1.7
	Data before LE ↓, data low		MIN	1	0.9	1.7	1.7
t <sub>h</sub> Hold time	Data after LE ↓, data high		MIN	1	0.9	1.2	1.2
	Data after LE ↓, data low		MIN	1	1.4	1.2	1.2
t <sub>PLH</sub>	D	Q	MAX	3.8	3.1	4.2	4.2
t <sub>PHL</sub>				3.6	3.3	4.2	4.2
t <sub>PLH</sub>	LE	Q	MAX	4.3	3.3	4.6	4.6
t <sub>PHL</sub>				4	3.5	4.6	4.6
t <sub>PZH</sub>	$\overline{OE}$	Q	MAX	4.3	4	4.7	4.7
t <sub>PZL</sub>				4.3	3.4	4.7	4.7
t <sub>PHZ</sub>	$\overline{OE}$	Q	MAX	5	4.9	5.9	5.9
t <sub>P LZ</sub>				4.7	4.5	5.9	5.9

UNIT: ns



**FUNCTION TABLE**  
(each flip-flop)

INPUTS			OUTPUT
OE	CLK	D	Q
L	↑	H	H
L	↑	L	L
L	H or L	X	Q <sub>0</sub>
H	X	X	Z

**ELECTRICAL CHARACTERISTICS AND RECOMMENDED OPERATING CONDITIONS**

PARAMETER	MAX or MIN	LVTH 3V	ALVTH 3V	LVC 3V	LVCH 3V	ALVCH 3V	AUC 1.8V	AUC 2.3V	AUCH 1.8V	AUCH 2.3V	UNIT
I <sub>cc</sub>	MAX	10	5	0.04	0.04	0.08	0.04	0.04	0.04	0.04	mA
I <sub>OH</sub>	MAX	-32	-32	-24	-24	-24	-8	-9	-8	-9	mA
I <sub>OL</sub>	MAX	64	64	24	24	24	8	9	8	9	mA

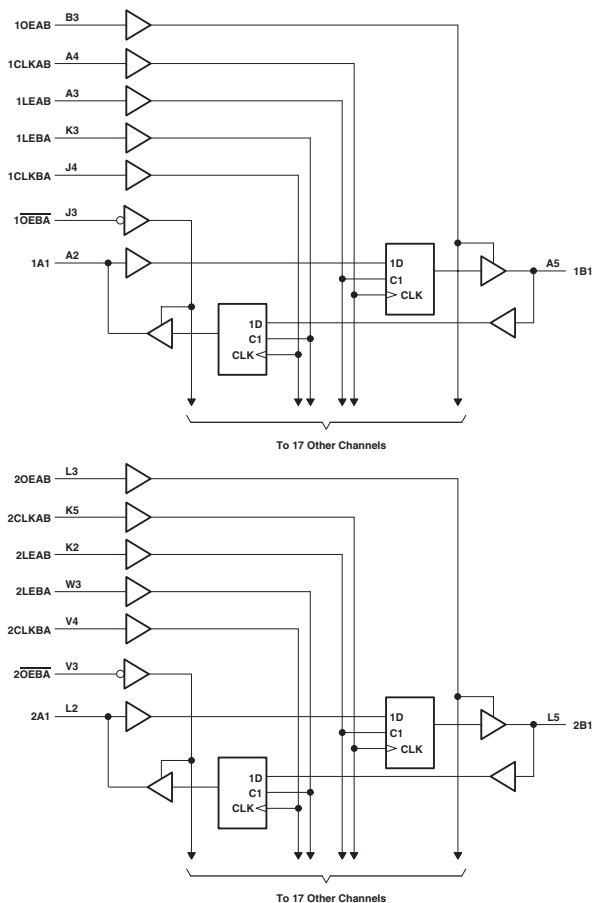
**TIMING REQUIREMENTS AND SWITCHING CHARACTERISTICS**

PARAMETER	INPUT	OUTPUT	MAX or MIN	LVTH 3V	ALVTH 3V	LVC 3V	LVCH 3V	ALVCH 3V	AUC 1.8V	AUC 2.3V
f <sub>max</sub>				160	250	150	150	150	250	250
t <sub>w</sub> Pulse duration, CLK high or low			MIN	3	1.5	3.3	3.3	3.3	1.9	1.9
t <sub>su</sub> Setup time	Data before CLK ↑, data high		MIN	1.8	1	1.9	1.9	1.9	0.6	0.6
		Data before CLK ↑, data low	MIN	1.8	1.5	1.9	1.9	1.9	0.6	0.6
t <sub>h</sub> Hold time	Data after CLK ↑, data high		MIN	0.8	0.5	1.9	1.1	0.5	0.4	0.4
		Data after CLK ↑, data low	MIN	0.8	1	1.9	1.1	0.5	0.4	0.4
t <sub>PLH</sub>	CLK	Q	MAX	4.5	3.2	4.5	4.5	4.2	2.8	2.2
t <sub>PHL</sub>				4	3.2	4.5	4.5	4.2	2.8	2.2
t <sub>PZH</sub>	$\overline{OE}$	Q	MAX	4.5	3.8	4.6	4.6	4.8	2.9	2.2
t <sub>PZL</sub>				4.4	3.3	4.6	4.6	4.8	2.9	2.2
t <sub>PHZ</sub>	$\overline{OE}$	Q	MAX	5	4.6	5.5	5.5	4.3	4.5	2.2
t <sub>PLZ</sub>				4.6	4.2	5.5	5.5	4.3	4.5	2.2

PARAMETER	INPUT	OUTPUT	MAX or MIN	AUCH 1.8V	AUCH 2.3V
f <sub>max</sub>				250	250
t <sub>w</sub> Pulse duration, CLK high or low			MIN	1.9	1.9
t <sub>su</sub> Setup time	Data before CLK ↑, data high		MIN	0.6	0.6
		Data before CLK ↑, data low	MIN	0.6	0.6
t <sub>h</sub> Hold time	Data after CLK ↑, data high		MIN	0.4	0.4
		Data after CLK ↑, data low	MIN	0.4	0.4
t <sub>PLH</sub>	CLK	Q	MAX	2.8	2.2
t <sub>PHL</sub>				2.8	2.2
t <sub>PZH</sub>	$\overline{OE}$	Q	MAX	2.9	2.2
t <sub>PZL</sub>				2.9	2.2
t <sub>PHZ</sub>	$\overline{OE}$	Q	MAX	4.5	2.2
t <sub>PLZ</sub>				4.5	2.2

UNIT f<sub>max</sub> : MHz other : ns

Logic Diagram



**FUNCTION TABLE†**

INPUTS					OUTPUT
OEAB	LEAB	CLKAB	A		B
L	X	X	X	X	Z
H	H	X	L	L	L
H	H	X	H	H	H
H	L	↑	L	L	L
H	L	↑	H	H	H
H	L	H	X	X	B <sub>0</sub> ‡
H	L	L	X	X	B <sub>0</sub> §

† A-to-B data flow is shown; B-to-A flow is similar but uses OEBA, LEBA, and CLKBA.

‡ Output level before the indicated steady-state input conditions were established.

§ Output level before the indicated steady-state input conditions were established, provided that CLKAB was high before LEAB went low.

**ELECTRICAL CHARACTERISTICS AND RECOMMENDED OPERATING CONDITIONS**

PARAMETER	MAX or MIN	ABTH	ALVCH 3V	UNIT
I <sub>CC</sub>	MAX	90	0.08	mA
I <sub>OH</sub>	MAX	-32	-24	mA
I <sub>OL</sub>	MAX	64	24	mA

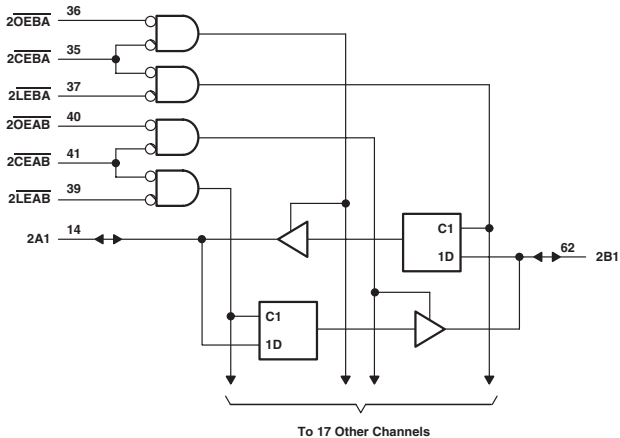
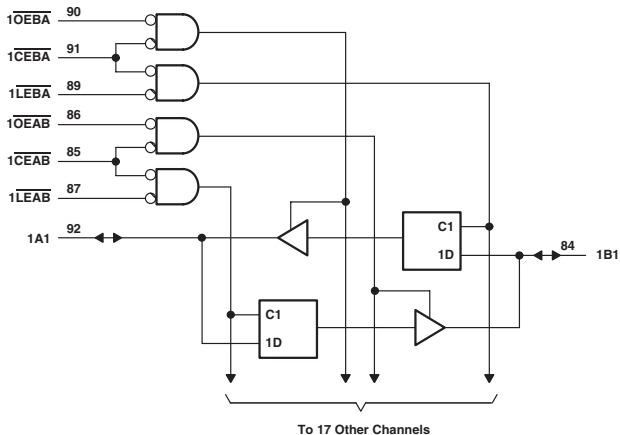
**TIMING REQUIREMENTS AND SWITCHING CHARACTERISTICS**

PARAMETER	INPUT	OUTPUT	MAX or MIN	ABTH	ALVCH 3V
f <sub>max</sub>			MIN	150	150
t <sub>w</sub> Pulse duration	LEAB or LEBA high		MIN	3.3	3.3
	CLKAB or CLKBA high or low		MIN	3.3	3.3
t <sub>su</sub> Setup time	A before CLKAB ↑		MIN	3.5	1.7
	B before CLKBA ↑		MIN	3.5	1.7
	A before LEAB ↓ or LEBA ↓ CLK high		MIN	1.6	1.5
	A before LEAB ↓ or LEBA ↓ CLK low		MIN	1.6	1
t <sub>h</sub> Hold time	A after CLKAB ↑ or B after CLKBA ↑		MIN	0	0.7
	A after LEAB ↓ or B after LEBA ↓		MIN	1.6	1.4
†P <sub>LH</sub>	A or B	B or A	MAX	4.8	3.9
†P <sub>HL</sub>				5.4	3.9
†P <sub>ZH</sub>	LEAB or LEBA	B or A	MAX	5.3	4.6
†P <sub>ZL</sub>				5.5	4.6
†P <sub>HZ</sub>	CLKAB or CLKBA	B or A	MAX	5.3	4.9
†P <sub>LZ</sub>				5.4	4.9
†P <sub>ZH</sub>	OEAB	B	MAX	5.6	4.6
†P <sub>ZL</sub>				6	4.6
†P <sub>HZ</sub>	OEAB	B	MAX	5.9	5
†P <sub>LZ</sub>				5.6	5
†P <sub>ZH</sub>	OEBA	A	MAX	5.6	5
†P <sub>ZL</sub>				6	5
†P <sub>HZ</sub>	OEBA	A	MAX	5.9	4.2
†P <sub>LZ</sub>				5.6	4.2

UNIT f<sub>max</sub> : MHz other : ns

## 36-BIT REGISTERED BUS TRANSCEIVERS WITH 3-STATE OUTPUTS

Logic Diagram



**FUNCTION TABLE**

INPUTS				OUTPUT
CEAB	LEAB	OEAB	A	Y
H	X	X	X	Z
X	X	H	X	Z
L	H	L	X	$B_0^\dagger$
L	L	L	L	L
L	L	L	H	H

† A-to-B data flow is shown; B-to-A flow conditions is the same that it uses CEBA, LEBA, and OEBA.

‡ Output level before the indicated steady-state input conditions were established

**ELECTRICAL CHARACTERISTICS AND RECOMMENDED OPERATING CONDITIONS**

PARAMETER	MAX or MIN	ABTH	UNIT
I <sub>CC</sub>	MAX	20	mA
I <sub>OH</sub>	MAX	-32	mA
I <sub>OL</sub>	MAX	64	mA

**TIMING REQUIREMENTS AND SWITCHING CHARACTERISTICS**

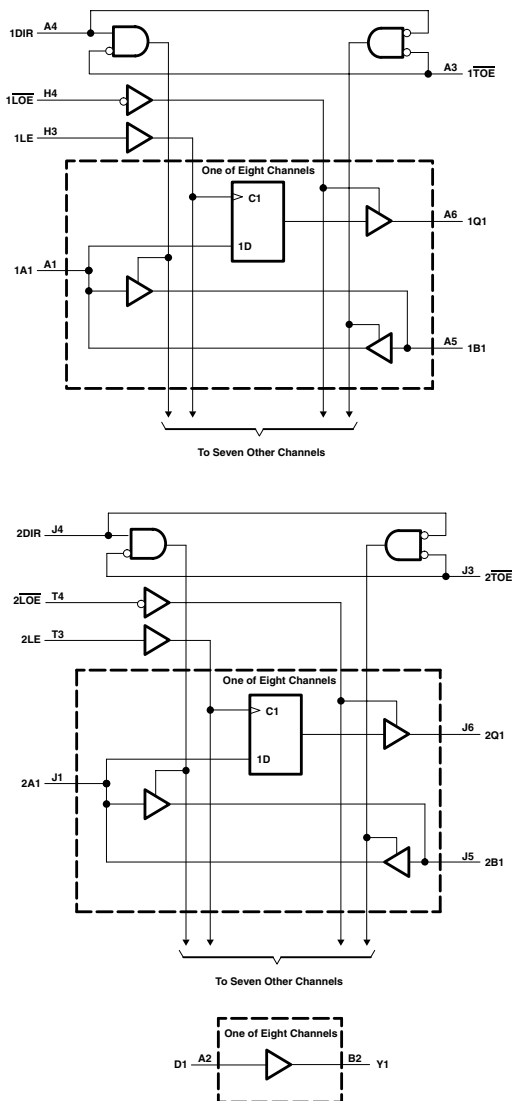
PARAMETER	INPUT	OUTPUT	MAX or MIN	ABTH
t <sub>w</sub> Pulse duration, $\overline{LEAB}$ or $\overline{LEBA}$ low			MIN	3.3
t <sub>su</sub> Setup time	Data before $\overline{LEAB} \uparrow$ or $\overline{LEBA} \uparrow$		MIN	2.1
	Data before $\overline{CEAB} \uparrow$ or $\overline{CEBA} \uparrow$		MIN	1.7
t <sub>h</sub> Hold time	Data after $\overline{LEAB} \uparrow$ or $\overline{LEBA} \uparrow$		MIN	0.6
	Data after $\overline{CEAB} \uparrow$ or $\overline{CEBA} \uparrow$		MIN	0.9
t <sub>PLH</sub>	A or B	B or A	MAX	5.9
t <sub>PHL</sub>				5.7
t <sub>PLH</sub>	$\overline{LE}$	A or B	MAX	7.5
t <sub>PHL</sub>				6.6
t <sub>PZH</sub>	$\overline{CE}$	A or B	MAX	8
t <sub>PZL</sub>				8.8
t <sub>PHZ</sub>	$\overline{CE}$	A or B	MAX	7.1
t <sub>PLZ</sub>				7.5
t <sub>PZH</sub>	$\overline{OE}$	A or B	MAX	7.3
t <sub>PZL</sub>				8.1
t <sub>PHZ</sub>	$\overline{OE}$	A or B	MAX	6.5
t <sub>PLZ</sub>				6.9

UNIT: ns



## 16-BIT BUS TRANSCEIVER AND TRANSPARENT D-TYPE LATCH WITH EIGHT INDEPENDENT BUFFERS

Logic Diagram



**FUNCTION TABLE**

INPUTS		OPERATION
TOE	DIR	
L	L	B data to A bus
L	H	A data to B bus
H	X	A bus and B bus Isolation

INPUTS			OUTPUT Q
LOE	LE	A	
L	H	H	H
L	H	L	L
L	L	X	Q <sub>0</sub>
H	X	X	Z

INPUT D	OUTPUT Y
L	L
H	H

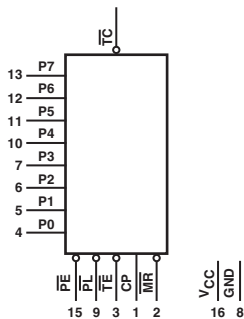
**ELECTRICAL CHARACTERISTICS AND RECOMMENDED OPERATING CONDITIONS**

PARAMETER	MAX or MIN	ALVCH 3V	UNIT
I <sub>CC</sub>	MAX	0.06	mA
I <sub>OH</sub>	MAX	-24	mA
I <sub>OL</sub>	MAX	24	mA

**TIMING REQUIREMENTS AND SWITCHING CHARACTERISTICS**

PARAMETER	INPUT	OUTPUT	MAX or MIN	ALVCH 3V
t <sub>w</sub> Pulse duration	LE high		MIN	2
t <sub>su</sub> Setup time	data before LE ↓		MIN	0.9
t <sub>h</sub> Hold time	data after LE ↓		MIN	0.9
t <sub>PLH</sub>	D	Y	MAX	3
t <sub>PHL</sub>				3
t <sub>PLH</sub>	A	Q	MAX	3
t <sub>PHL</sub>				3
t <sub>PLH</sub>	LE	Q	MAX	3
t <sub>PHL</sub>				3
t <sub>PLH</sub>	A or B	B or A	MAX	3
t <sub>PHL</sub>				3
t <sub>PZH</sub>	LOE	Q	MAX	4.7
t <sub>PZL</sub>				4.7
t <sub>PZH</sub>	TOE	A or B	MAX	4.4
t <sub>PZL</sub>				4.4
t <sub>PZH</sub>	DIR	A or B	MAX	4.7
t <sub>PZL</sub>				4.7
t <sub>PHZ</sub>	LOE	Q	MAX	4.1
t <sub>PLZ</sub>				4.1
t <sub>PHZ</sub>	TOE	A or B	MAX	4.1
t <sub>PLZ</sub>				4.1
t <sub>PHZ</sub>	DIR	A or B	MAX	4.7
t <sub>PLZ</sub>				4.7

UNIT: ns



FUNCTION TABLE

CONTROL INPUTS				PRESET MODE	ACTION
MR	PL	PE	TE		
L	X	X	L	Synchronous	Inhibit Counter Count Down
X	H	X	L		
X	X	L	L	Asynchronously	Preset On Next Positive Clock Transition
H	L	L	L		Preset Asynchronously
H	L	H	L		Clear to Maximum Count

## ELECTRICAL CHARACTERISTICS AND RECOMMENDED OPERATING CONDITIONS

PARAMETER	MAX or MIN	CD74 HC	CD74 HCT	UNIT
I <sub>CC</sub>	MAX	0.16	0.16	mA
I <sub>OH</sub>	MAX	-4	-4	mA
I <sub>OL</sub>	MAX	4	4	mA

## TIMING REQUIREMENTS AND SWITCHING CHARACTERISTICS

PARAMETER	INPUT	OUTPUT	MAX or MIN	CD74 HC	CD74 HCT
t <sub>v</sub>	CP		MIN	50	53
	PL			38	65
	MR			38	53
t <sub>su</sub>	P to CP		MIN	30	36
	PE to CP			22	30
	TE to CP			45	60
t <sub>h</sub>	P to CP		MIN	5	5
	TE to CP			0	0
	PE to CP			2	2
t <sub>PLH</sub>	CP	TC (Async Preset)	MAX	90	90
t <sub>PHL</sub>				90	90
t <sub>PLH</sub>	CP	TC (Sync Preset)	MAX	90	95
t <sub>PHL</sub>				90	95
t <sub>PLH</sub>	TE	TC	MAX	60	75
t <sub>PHL</sub>				60	75
t <sub>PLH</sub>	PL	TC	MAX	83	102
t <sub>PHL</sub>				83	102
t <sub>PLH</sub>	MR	TC	MAX	83	83
t <sub>PHL</sub>				83	83

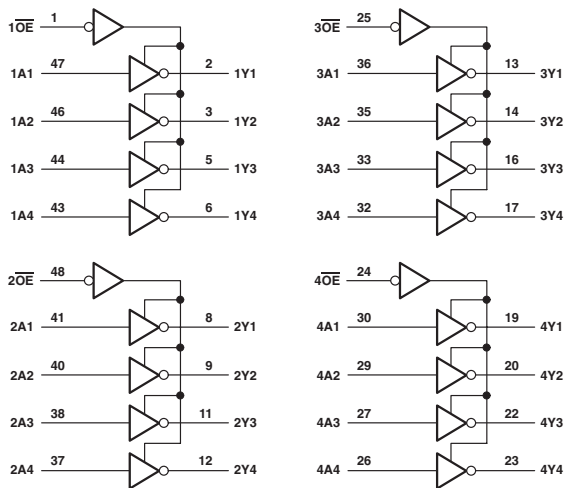
UNIT : ns

# 162240

## 3.3-V ABT 16-BIT BUFFERS/DRIVERS WITH 3-STATE OUTPUTS

- SN74LVT162240, SN74LVTH162240: Output Ports Have Equivalent 22-Ω Series Resistors

### Logic Diagram



### FUNCTION TABLE

INPUTS		OUTPUT
OE	A	Y
L	H	L
L	L	H
H	X	Z

### ELECTRICAL CHARACTERISTICS AND RECOMMENDED OPERATING CONDITIONS

PARAMETER	MAX or MIN	LVT 3V	LVTH 3V	UNIT
$I_{CC}$	MAX	5	5	mA
$I_{OH}$	MAX	-12	-12	mA
$I_{OL}$	MAX	12	12	mA

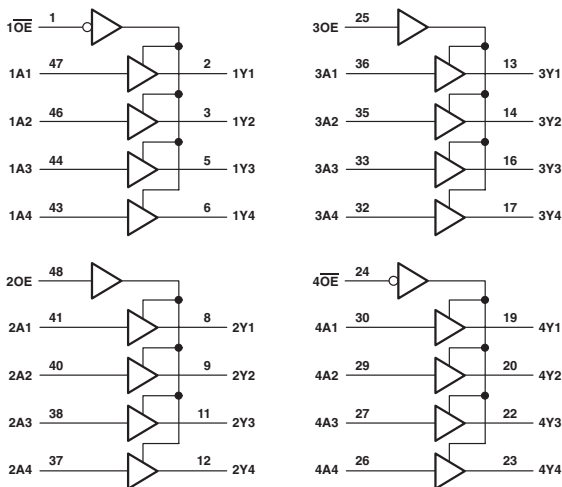
### SWITCHING CHARACTERISTICS

PARAMETER	INPUT	OUTPUT	MAX or MIN	LVT 3V	LVTH 3V
$t_{PLH}$	A	Y	MAX	4	4
$t_{PHL}$				4	4
$t_{PZH}$	$\overline{OE}$	Y	MAX	4.8	4.8
$t_{PZL}$				4.7	4.7
$t_{PHZ}$	$\overline{OE}$	Y	MAX	4.7	4.7
$t_{PLZ}$				4.5	4.5

UNIT: ns

## 3.3-V ABT 16-BIT BUFFERS/DRIVERS WITH 3-STATE OUTPUTS

Logic Diagram



FUNCTION TABLE

INPUTS		OUTPUT	
1OE, 4OE	1A, 4A	1Y, 4Y	
L	H	H	
L	L	L	
H	X	Z	

INPUTS		OUTPUT	
2OE, 3OE	2A, 3A	2Y, 3Y	
H	H	H	
H	L	L	
L	X	Z	

ELECTRICAL CHARACTERISTICS AND RECOMMENDED OPERATING CONDITIONS

PARAMETER	MAX or MIN	LVTH 3V	UNIT
$I_{CC}$	MAX	5	mA
$I_{OH}$	MAX	-12	mA
$I_{OL}$	MAX	12	mA

SWITCHING CHARACTERISTICS

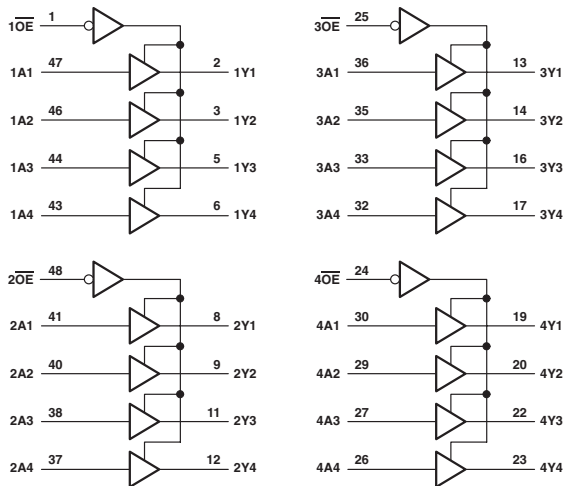
PARAMETER	INPUT	OUTPUT	MAX or MIN	LVTH 3V
$t_{PLH}$	A	Y	MAX	4.1
$t_{PHL}$				4.1
$t_{FZH}$	$\overline{OE}$ or OE	Y	MAX	4.9
$t_{FZL}$				4.8
$t_{PHZ}$	$\overline{OE}$ or OE	Y	MAX	5.3
$t_{PLZ}$				4.9

UNIT: ns

## 16-BIT BUFFERS/DRIVERS WITH 3-STATE OUTPUTS

- SN74ABT162244: Output Ports Have Equivalent 25- $\Omega$  Series Resistors
- SN74LVT162244A, LVTH162244: Output Ports Have Equivalent 22- $\Omega$  Series Resistors
- SN74ALVTH162244: Output Ports Have Equivalent 30- $\Omega$  Series Resistors
- SN74LVC162244A: Output Ports Have Equivalent 26- $\Omega$  Series Resistors
- SN74LVCH162244A: Output Ports Have Equivalent 26- $\Omega$  Series Resistors
- SN74ALVCH162244: Output Ports Have Equivalent 26- $\Omega$  Series Resistors

## Logic Diagram



**FUNCTION TABLE**  
(each 4-bit buffer)

INPUTS		OUTPUT Y
$\overline{OE}$	A	
L	H	H
L	L	L
H	X	Z

ELECTRICAL CHARACTERISTICS AND RECOMMENDED OPERATING CONDITIONS

PARAMETER	MAX or MIN	ABT	LVT 3V	LVTH 3V	ALVTH 3V	LVC 3V	LVCH 3V	ALVCH 3V	UNIT
$I_{CC}$	MAX	30	5	5	5	0.02	0.02	0.04	mA
$I_{OH}$	MAX	-12	-12	-12	-12	-12	-12	-12	mA
$I_{OL}$	MAX	12	12	12	12	12	12	12	mA

SWITCHING CHARACTERISTICS

PARAMETER	INPUT	OUTPUT	MAX or MIN	ABT	LVT 3V	LVTH 3V	ALVTH 3V	LVC 3V	LVCH 3V	ALVCH 3V
$t_{PLH}$	A	Y	MAX	3.9	4	4	3.3	4.4	4.4	4.2
$t_{PHL}$				4.8	3.6	3.6	3.3	4.4	4.4	4.2
$t_{PZH}$	$\overline{OE}$	Y	MAX	5.4	5.1	5.1	4.9	5.5	5.5	5.6
$t_{PZL}$				5.1	4.5	4.5	3.3	5.5	5.5	5.6
$t_{PHZ}$	$\overline{OE}$	Y	MAX	4.6	5	5	4.9	6.3	6.3	5.5
$t_{PLZ}$				4.5	5	5	4.3	6.3	6.3	5.5

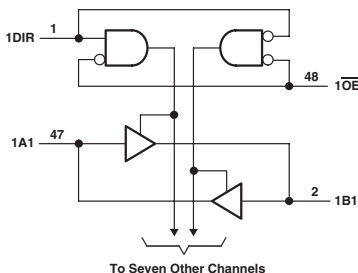
UNIT: ns

# 162245

## 16-BIT TRANSCEIVER WITH 3-STATE OUTPUTS

- SN74ABT162245, SN74ABTH162245: A-Port Outputs Have Equivalent 25-Ω Series Resistors
- SN74LVT162245A, SN74LVTH162245: A-Port Outputs Have Equivalent 22-Ω Series Resistors
- SN74ALVTH162245: A-Port Outputs Have Equivalent 30-Ω Series Resistors
- SN74LVCR162245: All Outputs Have Equivalent 26-Ω Series Resistors

Logic Diagram



FUNCTION TABLE  
(each 8-bit section)

INPUTS		OPERATION
OE	DIR	
L	L	B data to A bus
L	H	A data to B bus
H	X	Isolation

ELECTRICAL CHARACTERISTICS AND RECOMMENDED OPERATING CONDITIONS

PARAMETER	MAX or MIN	ABT	ABTH	LVT 3V	LVTH 3V	ALVTH 3V	UNIT
I <sub>CC</sub>	MAX	32	32	5	5	5	mA
I <sub>OH</sub> (A port)	MAX	-12	-12	-12	-12	-12	mA
I <sub>OH</sub> (B port)	MAX	-32	-32	-32	-32	-32	mA
I <sub>OL</sub> (A port)	MAX	12	12	12	12	12	mA
I <sub>OL</sub> (B port)	MAX	64	64	64	64	64	mA

SWITCHING CHARACTERISTICS

PARAMETER	INPUT	OUTPUT	MAX or MIN	ABT	ABTH	LVT 3V	LVTH 3V	ALVTH 3V
t <sub>PLH</sub>	A	B	MAX	3.9	3.9	3.3	3.3	3.1
				4.2	4.2	3.3	3.3	3
t <sub>PHL</sub>	B	A	MAX	4.6	4.6	4	4	3.7
				5.1	5.1	3.4	3.4	3.4
t <sub>PZH</sub>	OE	B	MAX	6.3	6.3	4.6	4.6	3.8
				6.4	6.4	4.6	4.6	3.4
t <sub>PZL</sub>	OE	B	MAX	6.3	6.3	5.2	5.2	4.7
				5.2	5.2	5.1	5.1	4.8
t <sub>PHZ</sub>	OE	A	MAX	7.1	7.1	5.3	5.3	4.7
				7	7	5.1	5.1	3.9
t <sub>PLZ</sub>	OE	A	MAX	6.6	6.6	5.6	5.6	5
				5.7	5.7	5.5	5.5	4.9

UNIT: ns

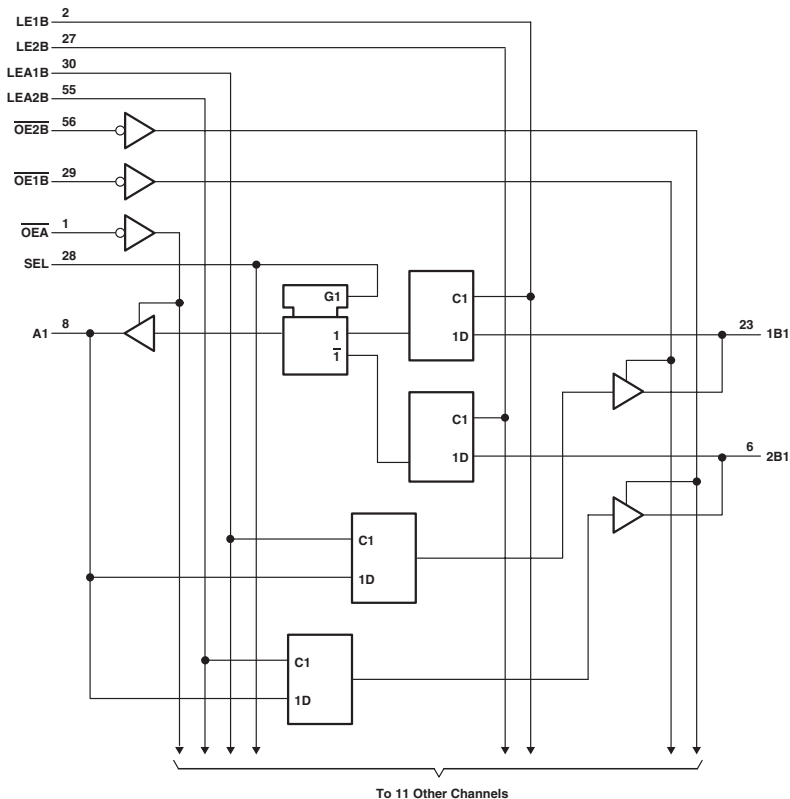


# 162260

## 12-BIT TO 24-BIT MULTIPLEXED D-TYPE LATCH WITH 3-STATE OUTPUTS

- SN74ABTH162260: B-Port Outputs Have Equivalent 25-Ω Series Resistors
- SN74ALVCH162260: B-Port Outputs Have Equivalent 26-Ω Series Resistors

### Logic Diagram



**FUNCTION TABLE**
**B TO A ( $\overline{OE} = H$ )**

INPUTS						OUTPUT
1B	2B	SEL	LE1B	LE2B	OEA	A
H	X	H	H	X	L	H
L	X	H	H	X	L	L
X	X	H	L	X	L	A <sub>0</sub>
X	H	L	X	H	L	H
X	L	L	X	H	L	L
X	X	L	X	L	L	A <sub>0</sub>
X	X	X	X	X	H	Z

**A TO B ( $\overline{OE} = H$ )**

INPUTS						OUTPUTS	
A	LEA1B	LEA2B	$\overline{OE}1B$	$\overline{OE}2B$	1B	2B	
H	H	H	L	L	H	H	
L	H	H	L	L	L	L	
H	H	L	L	L	H	2B <sub>0</sub>	
L	H	L	L	L	L	2B <sub>0</sub>	
H	L	H	L	L	1B <sub>0</sub>	H	
L	L	H	L	L	1B <sub>0</sub>	L	
X	L	L	L	L	1B <sub>0</sub>	2B <sub>0</sub>	
X	X	X	H	H	Z	Z	
X	X	X	L	H	Active	Z	
X	X	X	H	L	Z	Active	
X	X	X	L	L	Active	Active	

**ELECTRICAL CHARACTERISTICS AND RECOMMENDED OPERATING CONDITIONS**

PARAMETER	MAX or MIN	ABTH	ALVCH 3V	UNIT
I <sub>CC</sub>	MAX	63	0.04	mA
I <sub>OH</sub> (A port)	MAX	-32	-24	mA
I <sub>OH</sub> (B port)	MAX	-32	-12	mA
I <sub>OL</sub> (A port)	MAX	64	24	mA
I <sub>OL</sub> (B port)	MAX	12	12	mA

**TIMING REQUIREMENTS AND SWITCHING CHARACTERISTICS**

PARAMETER	INPUT	OUTPUT	MAX or MIN	ABTH	ALVCH 3V
f <sub>max</sub>				-	150
t <sub>w</sub> Pulse duration, LE1B, LE2B, LEA1B, or LEA2B high			MIN	3.3	3.3
t <sub>su</sub> Setup time, data before LE1B, LE2B, LEA1B, or LEA2B ↓			MIN	1.5	1.1
t <sub>h</sub> Hold time, data after LE1B, LE2B, LEA1B, or LEA2B ↓			MIN	1	1.5
t <sub>PLH</sub>	A	B	MAX	6.1	4.9
t <sub>PHL</sub>				7.1	4.9
t <sub>PLH</sub>	B	A	MAX	6	4.3
t <sub>PHL</sub>				6.2	4.3
t <sub>PLH</sub>	LE	A	MAX	6.3	4.4
t <sub>PHL</sub>				5.8	4.4
t <sub>PLH</sub>	LE	B	MAX	6.1	5
t <sub>PHL</sub>				7.1	5
t <sub>PLH</sub>	SEL (1B)	A	MAX	5.6	5.6
t <sub>PHL</sub>	SEL (2B)			6.3	5.6
t <sub>PLH</sub>	SEL (1B)	B	MAX	5	5.6
t <sub>PHL</sub>	SEL (2B)			6.2	5.6
t <sub>PZH</sub>	$\overline{OE}$	A	MAX	6.3	5.4
t <sub>PZL</sub>	$\overline{OE}$			6.5	5.4
t <sub>PZH</sub>	$\overline{OE}$	B	MAX	6.3	6
t <sub>PZL</sub>	$\overline{OE}$			8.2	6
t <sub>PHZ</sub>	$\overline{OE}$	A	MAX	6.7	4.6
t <sub>PLZ</sub>				5.2	4.6
t <sub>PHZ</sub>	$\overline{OE}$	B	MAX	7.5	5.1
t <sub>PLZ</sub>				6.2	5.1

 UNIT f<sub>max</sub> : MHz other : ns



**FUNCTION TABLE**
**OUTPUT ENABLE**

INPUTS			OUTPUTS	
CLK	OEA	OEB	A	1B, 2B
↑	H	H	Z	Z
↑	H	L	Z	Active
↑	L	H	Active	Z
↑	L	L	Active	Active

**A-TO-B STORAGE ( $\overline{OEB} = L$ )**

INPUTS				OUTPUTS	
CLKENA1	CLKENA2	CLK	A	1B	2B
H	H	X	X	1B <sub>0</sub> †	2B <sub>0</sub> †
L	X	↑	L	L†	X
L	X	↑	H	H†	X
X	L	↑	L	X	L
X	L	↑	H	X	H

† Two CLK edges are needed to propagate data.

‡ Output level before the indicated steady-state input conditions were established

**B-TO-A STORAGE ( $\overline{OEA} = L$ )**

INPUTS					OUTPUT	
CLKEN1B	CLKEN2B	CLK	SEL	1B	2B	A
H	X	X	H	X	X	A <sub>0</sub> †
X	H	X	L	X	X	A <sub>0</sub> †
L	X	↑	H	H	X	L
L	X	↑	L	L	X	H
X	L	↑	L	X	L	L
X	L	↑	L	X	H	H

† Output level before the indicated steady-state input conditions were established

**ELECTRICAL CHARACTERISTICS AND RECOMMENDED OPERATING CONDITIONS**

PARAMETER	MAX or MIN	ALVCH 3V	UNIT
I <sub>CC</sub>	MAX	0.04	mA
I <sub>OH</sub> (A port)	MAX	-24	mA
I <sub>OH</sub> (B port)	MAX	-12	mA
I <sub>OL</sub> (A port)	MAX	24	mA
I <sub>OL</sub> (B port)	MAX	12	mA

**TIMING REQUIREMENTS AND SWITCHING CHARACTERISTICS**

PARAMETER	INPUT	OUTPUT	MAX or MIN	ALVCH 3V
t <sub>max</sub>			MIN	150
t <sub>w</sub> Pulse duration, CLK high or low			MIN	3.3
t <sub>su</sub> Setup time		A data before CLK ↑	MIN	3.4
		B data before CLK ↑	MIN	1
		SEL before CLK ↑	MIN	1.3
		CLKENA1 or CLKENA2 before CLK ↑	MIN	2.8
		CLKENB1 or CLKENB2 before CLK ↑	MIN	2.5
		OE before CLK ↑	MIN	3.2
t <sub>h</sub> Hold time		A data after CLK ↑	MIN	0.2
		B data after CLK ↑	MIN	1.3
		SEL after CLK ↑	MIN	1
		CLKENA1 or CLKENA2 after CLK ↑	MIN	0.4
		CLKENB1 or CLKENB2 after CLK ↑	MIN	0.5
		OE after CLK ↑	MIN	0.2
t <sub>pd</sub>	CLK	B	MAX	5.4
		A (1B)		4.8
		A (2B)		4.8
		A (SEL)		5.8
t <sub>en</sub>	CLK	B	MAX	6.1
		A		5.1
t <sub>fis</sub>	CLK	B	MAX	5.9
		A		5

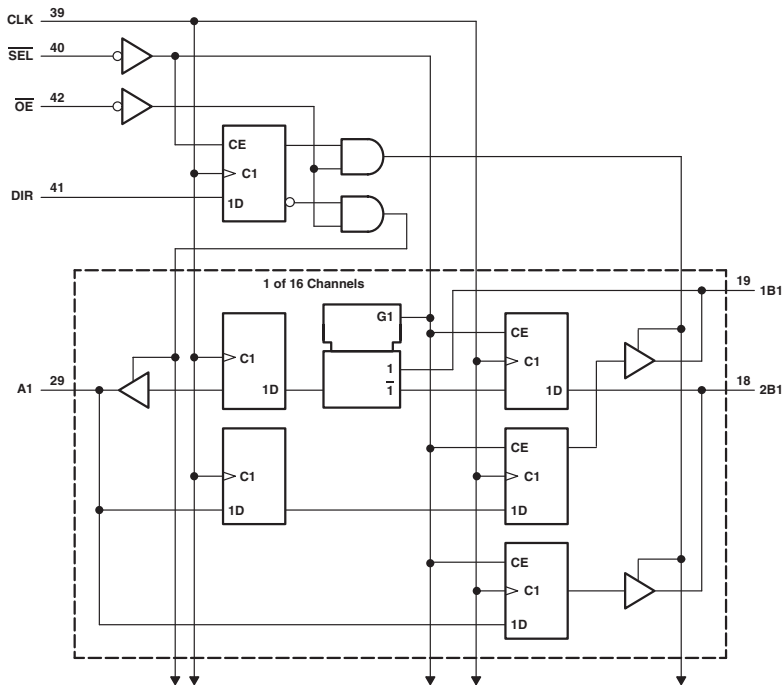
 UNIT f<sub>max</sub>: MHz other: ns

# 162280

## 16-BIT TO 32-BIT REGISTERED BUS EXCHANGER WITH BYTE MASKS AND 3-STATE OUTPUTS

- SN74ALVCHG162280: A-Port Outputs Have Equivalent 50-Ω Series Resistors
- B-Port Outputs Have Equivalent 20-Ω Series Resistors

Logic Diagram



## FUNCTION TABLE

### A-TO-B STORAGE ( $\overline{OE} = L$ , DIR = H)

INPUTS			OUTPUTS	
SEL	CLK	A	1B	2B
H	X	X	1B $\uparrow$	2B $\uparrow$
L	X	L	L $\uparrow$	X
L	H	H	H $\uparrow$	X

† Output level before indicated steady-state input conditions were established

‡ Two CLK edges are needed to propagate the data.

### B-TO-A STORAGE ( $\overline{OE} = L$ , DIR = L)

INPUTS				OUTPUT
CLK	SEL	1B	2B	A
↑	H	X	L	L $\uparrow$
↑	H	X	H	H $\uparrow$
↑	L	L	X	L
↑	L	H	X	H

§ Two CLK edges are needed to propagate the data. The data is loaded in the first register when SEL is low and propagates to the second register when SEL is high.

### C-TO-D STORAGE ( $\overline{OE} = L$ )

INPUTS			OUTPUT	
SEL	CLK	C	1D	2D
H	X	X	1B $\uparrow$	2B $\uparrow$
L	↑	L	L $\uparrow$	L
L	↑	H	H $\uparrow$	H

† Output level before indicated steady-state input conditions were established

‡ Two CLK edges are needed to propagate the data.

### OUTPUT ENABLE

INPUTS			OUTPUT		
CLK	$\overline{OE}$	DIR	A	1B, 2B	1D, 2D
↑	H	X	Z	Z	Z
↑	L	H	Z	Active	Active
↑	L	L	Active	Z	Active

## ELECTRICAL CHARACTERISTICS AND RECOMMENDED OPERATING CONDITIONS

PARAMETER	MAX or MIN	ALVCHG 3V	UNIT
I <sub>CC</sub>	MAX	0.04	mA
I <sub>OH</sub> (A to B)	MAX	8	mA
I <sub>OH</sub> (B to A)	MAX	6	mA
I <sub>OL</sub> (A to B)	MAX	8	mA
I <sub>OL</sub> (B to A)	MAX	6	mA

## TIMING REQUIREMENTS AND SWITCHING CHARACTERISTICS

PARAMETER	INPUT	OUTPUT	MAX or MIN	ALVCHG 3V
t <sub>max</sub>			MIN	160
t <sub>w</sub>	Pulse duration, CLK high or low		MIN	2.3
t <sub>su</sub>	Setup time	A data before CLK ↑, high or low	MIN	1.4
		B data before CLK ↑, high or low	MIN	2
		C data before CLK ↑, high or low	MIN	1.3
		DIR before CLK ↑, high or low	MIN	2
		SEL before CLK ↑, high or low	MIN	2
t <sub>h</sub>	Hold time	A data after CLK ↑, high or low	MIN	0.3
		B data after CLK ↑, high or low	MIN	0.3
		C data after CLK ↑, high or low	MIN	0.3
		DIR after CLK ↑, high or low	MIN	0.3
		SEL after CLK ↑, high or low	MIN	0.3
t <sub>pL</sub>	CLK	A	MAX	5
		B		7.4
		D		7.2
t <sub>en</sub>	CLK	A	MAX	6.2
		B		9.4
		A		6
		B		9.5
		D		7.9
t <sub>dis</sub>	CLK	A	MAX	6.4
		B		7.8
		A		5
		B		7.6
		D		6.7

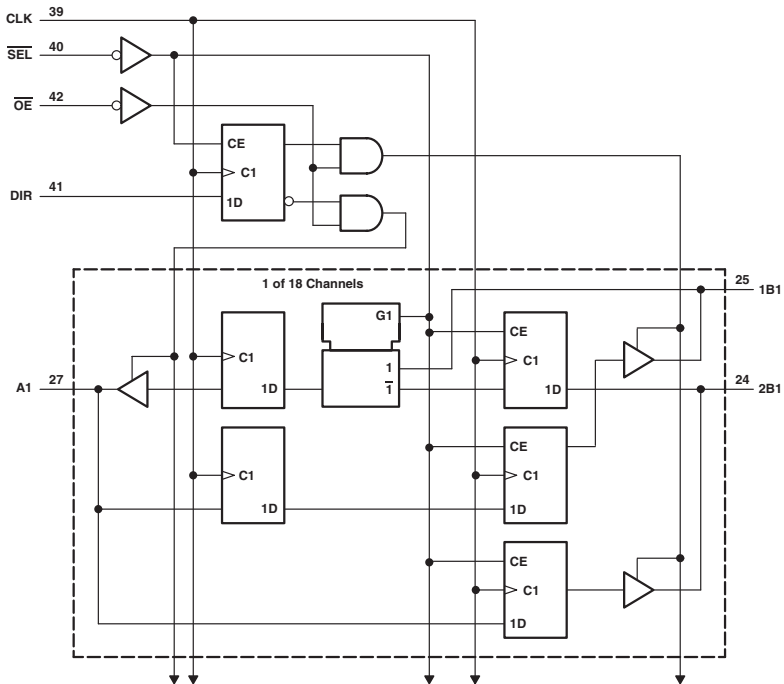
UNIT f<sub>max</sub>: MHz other: ns

# 162282

## 18-BIT TO 36-BIT REGISTERED BUS EXCHANGER WITH 3-STATE OUTPUTS

- SN74ALVCHG162282: A-Port Outputs Have Equivalent 50-Ω Series Resistors
- B-Port Outputs Have Equivalent 20-Ω Series Resistors

Logic Diagram



**FUNCTION TABLE**
**A-TO-B STORAGE**  
**( $\overline{OE} = L$ , DIR = H)**

INPUTS			OUTPUTS	
SEL	CLK	A	1B	2B
H	X	X	1B <sub>0</sub> †	2B <sub>0</sub> †
L	↑	L	L‡	L
L	↑	H	H‡	H

† Output level before indicated steady-state input conditions were established

‡ Two CLK edges are needed to propagate the data.

**B-TO-A STORAGE**  
**( $\overline{OE} = L$ , DIR = L)**

INPUTS				OUTPUT	
CLK	SEL	1B	2B	A	LS
↑	H	X	L	L	L
↑	H	X	H	H	H
↑	L	L	X	L	L
↑	L	H	X	H	H

§ Two CLK edges are needed to propagate the data. The data is loaded in the first register when SEL is low and propagates to the second register when SEL is high.

**OUTPUT ENABLE**

INPUTS			OUTPUTS	
CLK	$\overline{OE}$	DIR	A	1B, 2B
↑	H	X	Z	Z
↑	L	H	Z	Active
↑	L	L	Active	Z

**ELECTRICAL CHARACTERISTICS AND RECOMMENDED OPERATING CONDITIONS**

PARAMETER	MAX or MIN	ALVCHG 3V	UNIT
I <sub>CC</sub>	MAX	0.04	mA
I <sub>OH</sub> (A to B)	MAX	8	mA
I <sub>OH</sub> (B to A)	MAX	6	mA
I <sub>OL</sub> (A to B)	MAX	8	mA
I <sub>OL</sub> (B to A)	MAX	6	mA

**TIMING REQUIREMENTS AND SWITCHING CHARACTERISTICS**

PARAMETER	INPUT	OUTPUT	MAX or MIN	ALVCHG 3V
f <sub>max</sub>			MIN	160
t <sub>w</sub> Pulse duration, CLK high or low			MIN	2.3
t <sub>su</sub> Setup time	A data before CLK ↑		MIN	1.5
	B data before CLK ↑		MIN	2
	DIR before CLK ↑		MIN	2
	SEL before CLK ↑		MIN	2
t <sub>h</sub> Hold time	A data after CLK ↑		MIN	0.3
	B data after CLK ↑		MIN	0.3
	DIR after CLK ↑		MIN	0.3
	SEL after CLK ↑		MIN	0.3
t <sub>pd</sub>	CLK	A	MAX	5
		B		7.4
t <sub>en</sub>	CLK	A	MAX	6.3
		B		9.4
	$\overline{OE}$	A	MAX	6
		B		9.5
t <sub>dis</sub>	CLK	A	MAX	6.4
		B		7.8
	$\overline{OE}$	A	MAX	5
		B		7.6

UNIT f<sub>max</sub> : MHz other : ns

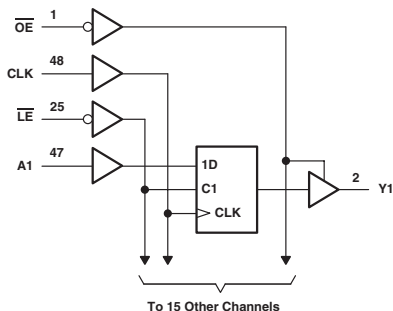


# 162334

## 16-BIT UNIVERSAL BUS DRIVER WITH 3-STATE OUTPUTS

- SN74ALVC162334: Output Ports Have Equivalent 26-Ω Series Resistors
- SN74ALVCH162334: Output Port Has Equivalent 26-Ω Series Resistors

Logic Diagram



FUNCTION TABLE

OE	INPUTS			OUTPUT
	LE	CLK	A	Y
H	X	X	X	Z
L	L	X	L	L
L	L	X	H	H
L	H	↑	L	L
L	H	↑	H	H
L	H	L or H	X	Y <sub>0</sub> ↑

↑ Output level before the indicated steady-state input conditions were established

## ELECTRICAL CHARACTERISTICS AND RECOMMENDED OPERATING CONDITIONS

PARAMETER	MAX or MIN	ALVC 3V	ALVCH 3V	UNIT
I <sub>CC</sub>	MAX	0.04	0.04	mA
I <sub>OH</sub>	MAX	-12	-12	mA
I <sub>OL</sub>	MAX	12	12	mA

## TIMING REQUIREMENTS AND SWITCHING CHARACTERISTICS

PARAMETER	INPUT	OUTPUT	MAX or MIN	ALVC 3V	ALVCH 3V
f <sub>max</sub>			MIN	150	150
t <sub>w</sub> Pulse duration	LE low			3.3	3.3
	CLK high or low		MIN	3.3	3.3
t <sub>su</sub> Setup time	Data before CLK ↑		MIN	1.5	1.5
	Data before LE ↑ CLK high		MIN	1.3	1.3
	Data before LE ↑ CLK low		MIN	1.2	1.2
t <sub>h</sub> Hold time	Data after CLK ↑		MIN	0.9	0.9
	Data after LE ↑ CLK high		MIN	1.1	1.1
	Data after LE ↑ CLK low		MIN	1.1	1.1
t <sub>pd</sub>	A	Y	MAX	3.9	3.9
	LE		5	5	
	CLK		MAX	4.9	4.9
t <sub>en</sub>	OE	Y		5.4	5.4
t <sub>dis</sub>	OE	Y	MAX	5	5

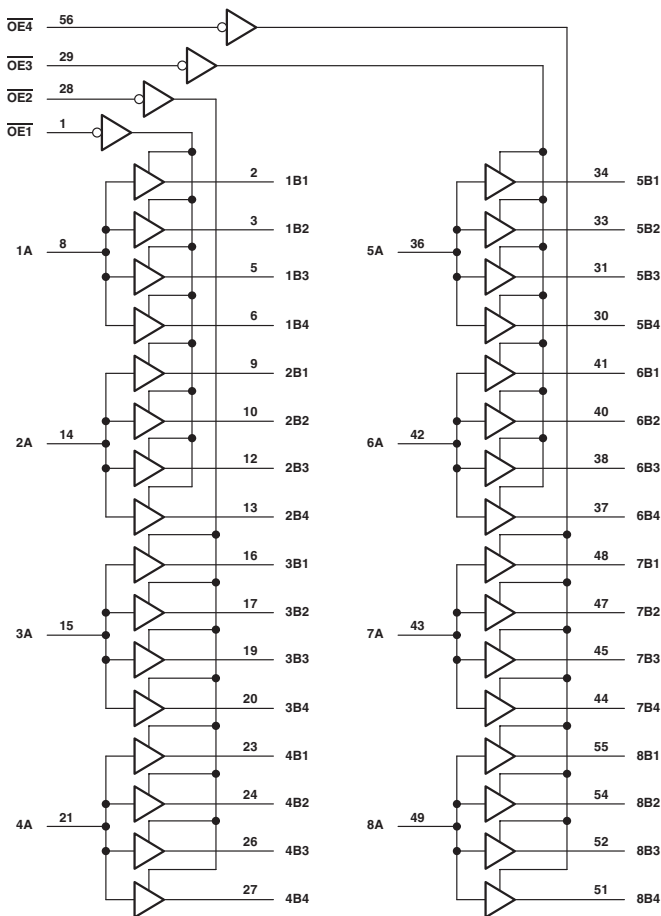
UNIT f<sub>max</sub> : MHz other : ns

# 162344

## 1-BIT TO 4-BIT ADDRESS DRIVER WITH 3-STATE OUTPUTS

- SN74ALVCH162344: Output Ports Have Equivalent 26-Ω Series Resistors

Logic Diagram



**FUNCTION TABLE**

INPUTS		OUTPUT
OE	A	Bn
L	H	H
L	L	L
H	X	Z

**ELECTRICAL CHARACTERISTICS AND RECOMMENDED OPERATING CONDITIONS**

PARAMETER	MAX or MIN	ALVCH 3V	UNIT
I <sub>CC</sub>	MAX	0.04	mA
I <sub>OH</sub>	MAX	-12	mA
I <sub>OL</sub>	MAX	12	mA

**SWITCHING CHARACTERISTICS**

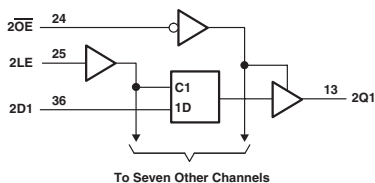
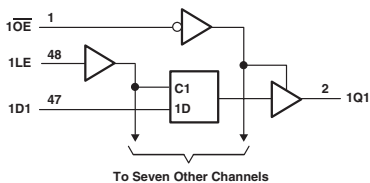
PARAMETER	INPUT	OUTPUT	MAX or MIN	ALVCH 3V
T <sub>PLH</sub>	A	B	MAX	4.4
T <sub>PHL</sub>				4.4
T <sub>PZH</sub>	$\overline{OE}$	B	MAX	5.7
T <sub>PZL</sub>				5.7
T <sub>PHZ</sub>	$\overline{OE}$	B	MAX	4.5
T <sub>PLZ</sub>				4.5

UNIT: ns

## 3.3-V ABT 16-BIT TRANSPARENT D-TYPE LATCHES WITH 3-STATE OUTPUTS

- SN74LVTH162373: Output Ports Have Equivalent 22-Ω Series Resistors

## Logic Diagram



FUNCTION TABLE  
(each 8-bit section)

INPUTS			OUTPUT
OE	LE	D	Q
L	H	H	H
L	H	L	L
L	L	X	Q <sub>0</sub>
H	X	X	Z

## ELECTRICAL CHARACTERISTICS AND RECOMMENDED OPERATING CONDITIONS

PARAMETER	MAX or MIN	LVTH 3V	ALVCH 3V	UNIT
I <sub>CC</sub>	MAX	5	0.04	mA
I <sub>OH</sub>	MAX	-12	-12	mA
I <sub>OL</sub>	MAX	12	12	mA

## TIMING REQUIREMENTS AND SWITCHING CHARACTERISTICS

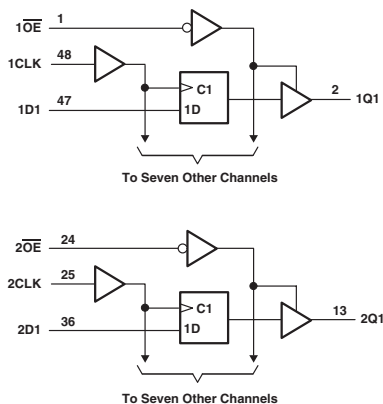
PARAMETER	INPUT	OUTPUT	MAX or MIN	LVTH 3V	ALVC 3V
t <sub>w</sub> Pulse duration, LE high or low			MIN	3	3.3
t <sub>su</sub> Setup time	Data before LE ↓, data high		MIN	1	1.1
	Data before LE ↓, data low		MIN	1	1.1
t <sub>h</sub> Hold time	Data after LE ↓, data high		MIN	1	1.1
	Data after LE ↓, data low		MIN	1	1.1
t <sub>PLH</sub>	D	Q	MAX	4.6	4
t <sub>PHL</sub>				4	4
t <sub>PLH</sub>	LE	Q	MAX	5.1	4.2
t <sub>PHL</sub>				4.6	4.2
t <sub>PZH</sub>	OE	Q	MAX	5.4	5
t <sub>PZL</sub>				4.9	5
t <sub>PHZ</sub>	OE	Q	MAX	5.4	4.5
t <sub>PLZ</sub>				5.1	4.5

UNIT: ns

## 3.3-V ABT 16-BIT EDGE-TRIGGERED D-TYPE FLIP-FLOPS WITH 3-STATE OUTPUTS

- SN74LVTH162374: Output Ports Have Equivalent 22- $\Omega$  Series Resistors
- SN74ALVCH162374: Output Ports Have Equivalent 26- $\Omega$  Series Resistors

## Logic Diagram



**FUNCTION TABLE**  
(each flip-flop)

INPUTS			OUTPUT Q
OE	CLK	D	
L	$\uparrow$	H	H
L	$\uparrow$	L	L
L	L	X	Q <sub>0</sub>
H	X	X	Z

## ELECTRICAL CHARACTERISTICS AND RECOMMENDED OPERATING CONDITIONS

PARAMETER	MAX or MIN	LVTH 3V	ALVCH 3V	UNIT
I <sub>CC</sub>	MAX	5	0.04	mA
I <sub>OH</sub>	MAX	-12	-12	mA
I <sub>OL</sub>	MAX	12	12	mA

## TIMING REQUIREMENTS AND SWITCHING CHARACTERISTICS

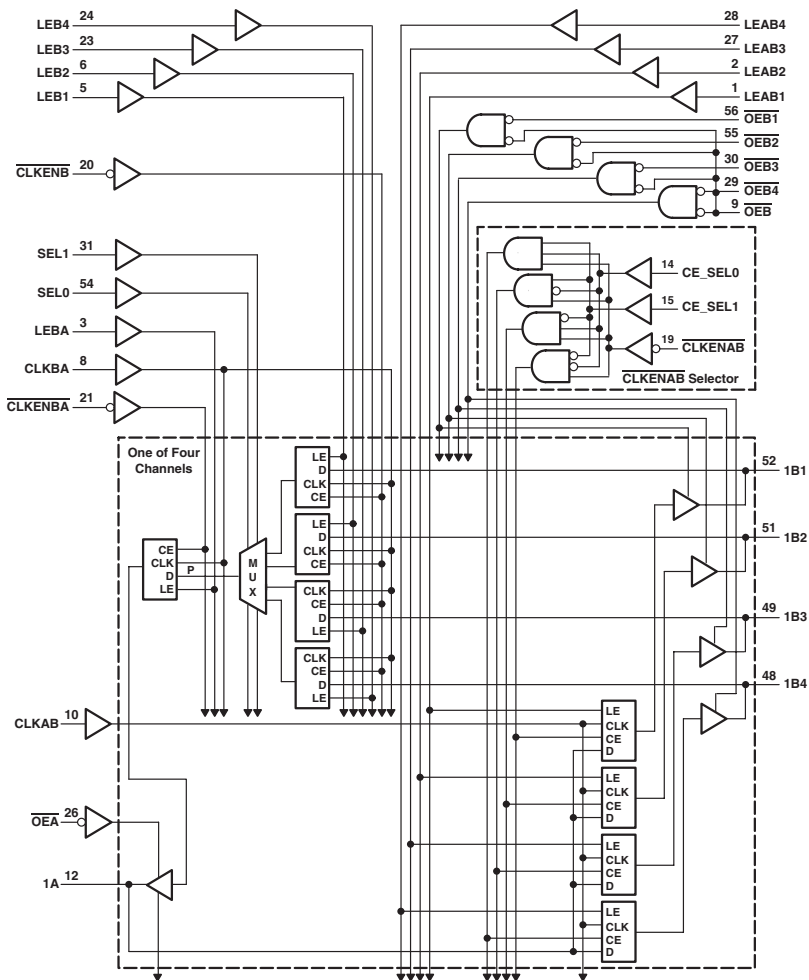
PARAMETER	INPUT	OUTPUT	MAX or MIN	LVTH 3V	ALVCH 3V
f <sub>max</sub>				160	150
t <sub>w</sub> Pulse duration, CLK high or low			MIN	3	3.3
t <sub>su</sub> Setup time		Data before CLK $\uparrow$ , data high	MIN	1.8	1.9
		Data before CLK $\uparrow$ , data low	MIN	1.8	1.9
t <sub>h</sub> Hold time		Data after CLK $\uparrow$ , data high	MIN	0.8	0.5
		Data after CLK $\uparrow$ , data low	MIN	0.8	0.5
t <sub>PLH</sub>	CLK	Q	MAX	5.3	4.6
t <sub>PHL</sub>				4.9	4.6
t <sub>PZH</sub>	OE	Q	MAX	5.6	5.2
t <sub>PZL</sub>				4.9	5.2
t <sub>PHZ</sub>	OE	Q	MAX	5.4	4.5
t <sub>PLZ</sub>				5	4.5

UNIT f<sub>max</sub> : MHz other : ns

## 4-TO-1 MULTIPLEXED/DEMULTIPLEXED REGISTERED TRANSCIEVERS WITH 3-STATE OUTPUTS

- SN74ABTH162460: B-Port Outputs Have Equivalent 25-Ω Series Resistors

Logic Diagram



**FUNCTION TABLE**
**A-TO-B OUTPUT ENABLE**

INPUTS		OUTPUT
OEB	OEBn	Bn
H	H	Z
H	L	Z
L	H	Z
L	L	Active

Tn = 1, 2, 3, 4

**A-TO-B STORAGE**

(assuming OEB = L, OEBn = L)

INPUTS								OUTPUTS			
CLKENAB	CE_SEL1	CE_SEL0	CLKAB	LEAB1	LEAB2	LEAB3	LEAB4	B1	B2	B3	B4
X	X	X	X	H or L	H	L	L	A	A0	A0	A0
X	X	X	H or L	H	L	L	L	A	A	A	A0
L	X	X	L	L	L	L	L	A0	A0	A0	A0
L	L	L	↑	L	L	L	L	A	A0	A0	A0
L	L	H	↑	L	L	L	L	A0	A	A0	A0
L	H	↑	L	L	L	L	L	A0	A0	A	A0
L	H	H	↑	L	L	L	L	A0	A0	A0	A
H	X	X	↑	L	L	L	L	A0	A0	A0	A0

**B-TO-A STORAGE**

(after point P)

INPUTS							P	
CLKENB	CLKBA	LEB1	LEB2	LEB3	LEB4	SEL1	SEL0	
X	X	H	L	L	L	L	L	B1
X	X	L	H	L	L	L	H	B2
X	X	L	L	H	L	H	L	B3
X	X	L	L	L	H	H	H	B4
L	↑	L	L	L	L	L	L	B1
						H	L	B2
						H	L	B3
						H	H	B4
L	L	L	L	L	L	L	L	B10↑
						H	H	B20↑
						H	L	B30↑
						H	H	B40↑

† Output level before the indicated steady-state input conditions were established

**B-TO-A STORAGE**

(after point P)

INPUTS						OUTPUT
CLKENBA	CLKBA	LEBA	OEA	B		A
X	X	X	H	X		X
X	X	H	L	L		L
X	X	H	L	H		H
H	X	L	L	X		A0†
L	↑	L	L	L		L
L	↑	L	L	H		H
L	L	L	L	X		A0†

**ELECTRICAL CHARACTERISTICS AND RECOMMENDED OPERATING CONDITIONS**

PARAMETER	MAX or MIN	ABTH	UNIT
Icc	MAX	32	mA
Ioh (A port)	MAX	-32	mA
Ioh (B port)	MAX	-12	mA
Iol (A port)	MAX	64	mA
Iol (B port)	MAX	12	mA

**TIMING REQUIREMENTS AND SWITCHING CHARACTERISTICS**

PARAMETER		MAX or MIN	ABTH
t <sub>max</sub>		MIN	160
t <sub>w</sub> Pulse duration	CLKAB high or low	MIN	3.8
	CLKBA high or low	MIN	4.5
	LEAB1, 2, 3 or 4 high	MIN	2.8
	LEBA high	MIN	2.8
	LEB1, 2, 3 or 4 high	MIN	3
t <sub>su</sub> Setup time	Before CLKAB ↑	A bus CE_SEL0/1	MIN 3.2
		CLKENAB	MIN 3.2
	Before LEAB1, 2, 3, or 4 ↓	A bus	MIN 3.6
		B bus	MIN 3.8
	Before CLKBA ↑	CLKENB	MIN 2.3
		CLKENBA	MIN 2.5
		LEB1, 2, 3 or 4	MIN 4.3
		SEL0/1	MIN 4.5
	Before LEB1, 2, 3, or 4 ↓	B bus	MIN 3.2
		B bus	MIN 4
Before CLKBA ↑	LEB1, 2, 3 or 4	MIN 4.4	
	SEL0/1	MIN 4.3	
t <sub>h</sub> Hold time	after CLKAB ↑	A bus CE_SEL0/1	MIN 1.1
		CLKENAB	MIN 0.5
	after LEAB1, 2, 3, or 4 ↓	A bus	MIN 1.2
		B bus	MIN 1.3
	after CLKBA ↑	CLKENB	MIN 1
		CLKENBA	MIN 1
		SEL0/1	MIN 0
	after LEB1, 2, 3, or 4 ↓	B bus	MIN 1.5
	after CLKBA ↑	B bus	MIN 0.4
		SEL0/1	MIN 0.1

PARAMETER	INPUT	OUTPUT	MAX or MIN	ABTH
↑PLH				6.5
↑PHL	B	A	MAX	6.5
↑PZH				5.6
↑PZL	0EA	A	MAX	5.5
↑PHZ				5.9
↑PLZ	0EA	A	MAX	6.5
↑PHL				6.2
↑PHL	A	B	MAX	6.5
↑PZH				6.8
↑PZL	0EB	B	MAX	6.3
↑PHZ				6.2
↑PLZ	0EB	B	MAX	5.8
↑PZH				6.6
↑PZL	0EB1, 2, 3, 4	B	MAX	6.2
↑PHZ				5.3
↑PLZ	0EB1, 2, 3, 4	B	MAX	4.9
↑PLH				7.4
↑PHL	CLKBA	A	MAX	7.7
↑PLH				6.5
↑PHL	CLKAB	B	MAX	6.5
↑PLH				5.8
↑PHL	LEBA	A	MAX	5.8
↑PLH				6.2
↑PHL	LEAB1, 2, 3, 4	B	MAX	6.2
↑PLH				7.2
↑PHL	LEBA1, 2, 3, 4	A	MAX	6.8
↑PLH				7.5
↑PHL	SEL	A	MAX	6.9

 UNIT f<sub>max</sub> : MHz other : ns

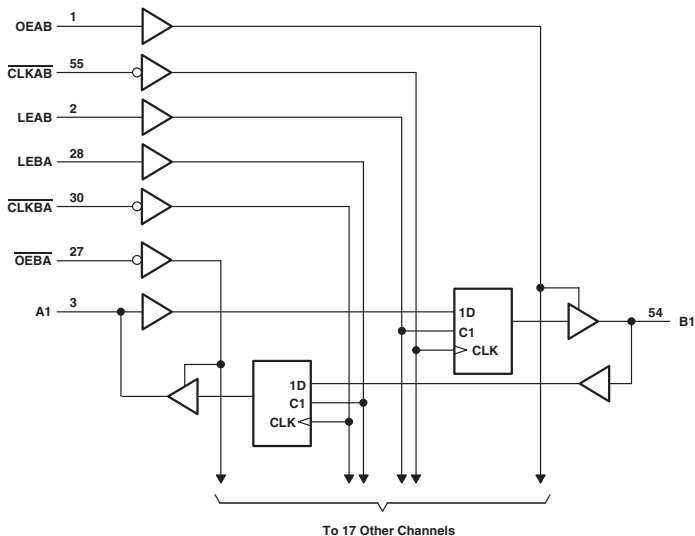


# 162500

## 18-BIT UNIVERSAL BUS TRANSCEIVER WITH 3-STATE OUTPUTS

- SN74ABT162500: B-Port Outputs Have Equivalent 25-Ω Series Resistors

Logic Diagram



**FUNCTION TABLE**

INPUTS				OUTPUT B
OEAB	LEAB	CLKAB	A	
L	X	X	X	Z
H	H	X	L	L
H	H	X	H	H
H	L	↓	L	L
H	L	↓	H	H
H	L	H	X	B <sub>0</sub> <sup>‡</sup>
H	L	L	X	B <sub>0</sub> <sup>§</sup>

‡ Output level before the indicated steady-state input conditions were established.

§ Output level before the indicated steady-state input conditions were established, provided that CLKAB was low before LEAB went low.

**ELECTRICAL CHARACTERISTICS AND RECOMMENDED OPERATING CONDITIONS**

PARAMETER	MAX or MIN	ABT	UNIT
I <sub>CC</sub>	MAX	36	mA
I <sub>OH</sub> (A port)	MAX	-32	mA
I <sub>OH</sub> (B port)	MAX	-12	mA
I <sub>OL</sub> (A port)	MAX	64	mA
I <sub>OL</sub> (B port)	MAX	12	mA

**TIMING REQUIREMENTS AND SWITCHING CHARACTERISTICS**

PARAMETER	INPUT	OUTPUT	MAX or MIN	ABT
f <sub>max</sub>			MIN	150
t <sub>w</sub> Pulse duration	LEAB or LEBA high		MIN	2.5
	CLKAB or CLKBA high or low		MIN	3
t <sub>su</sub> Setup time	A before CLKAB ↓		MIN	3.3
	B before CLKBA ↓		MIN	3.3
	A before LEAB ↓ or LEBA ↓ CLK high		MIN	1
	A before LEAB ↓ or LEBA ↓ CLK low		MIN	2.5
t <sub>h</sub> Hold time	A after CLKAB ↓ or B after CLKBA ↓		MIN	0
	A after LEAB ↓ or B after LEBA ↓		MIN	2
t <sub>PLH</sub>	A or B	B or A	MAX	4.8
t <sub>PHL</sub>				5.7
t <sub>PZH</sub>	LEAB or LEBA	B or A	MAX	5.6
t <sub>PZL</sub>				5.9
t <sub>PHZ</sub>	CLKAB or CLKBA	B or A	MAX	5.9
t <sub>PLZ</sub>				6
t <sub>PZH</sub>	OEAB	B	MAX	5.3
t <sub>PZL</sub>				5.4
t <sub>PHZ</sub>	OEAB	B	MAX	6.5
t <sub>PLZ</sub>				5.8
t <sub>PZH</sub>	OEBA	A	MAX	5.3
t <sub>PZL</sub>				5.4
t <sub>PHZ</sub>	OEBA	A	MAX	6.5
t <sub>PLZ</sub>				5.8

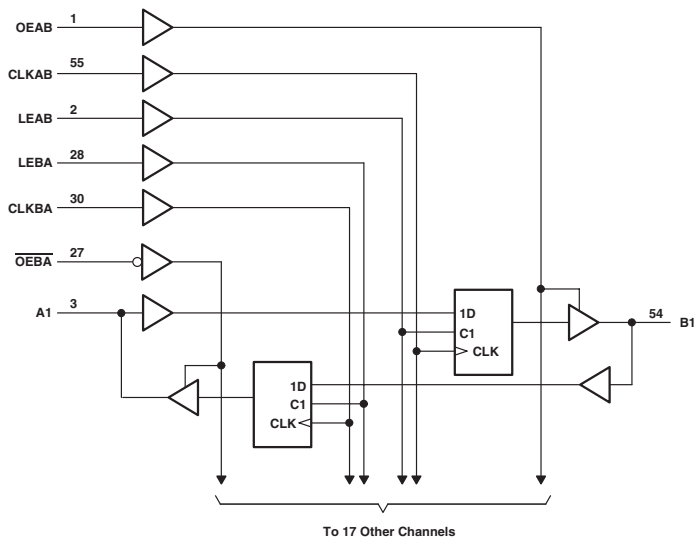
UNIT f<sub>max</sub> : MHz other : ns

# 162501

## 18-BIT UNIVERSAL BUS TRANSCEIVERS WITH 3-STATE OUTPUTS

- SN74ABT162501: B-Port Outputs Have Equivalent 25-Ω Series Resistors

Logic Diagram



FUNCTION TABLE†

INPUTS				OUTPUT
OEAB	LEAB	CLKAB	A	Y
L	X	X	X	Z
H	H	X	L	L
H	H	X	H	H
H	L	↑	L	L
H	L	↑	H	H
H	L	H	X	B <sub>0</sub> †
H	L	L	X	B <sub>0</sub> ‡

† A-to-B data flow is shown; B-to-A flow is similar but uses OEBA, LEBA, and CLKBA.

‡ Output level before the indicated steady-state input conditions were established, provided that CLKAB was high before LEAB went low.

§ Output level before the indicated steady-state input conditions were established.

## ELECTRICAL CHARACTERISTICS AND RECOMMENDED OPERATING CONDITIONS

PARAMETER	MAX or MIN	ABT	UNIT
I <sub>CC</sub>	MAX	36	mA
I <sub>OH</sub> (A port)	MAX	-32	mA
I <sub>OL</sub> (B port)	MAX	-12	mA
I <sub>OL</sub> (A port)	MAX	64	mA
I <sub>OL</sub> (B port)	MAX	12	mA

## TIMING REQUIREMENTS AND SWITCHING CHARACTERISTICS

PARAMETER	INPUT	OUTPUT	MAX or MIN	ABT
f <sub>max</sub>			MIN	150
t <sub>w</sub> Pulse duration	LEAB or LEBA high		MIN	3
	CLKAB or CLKBA high or low		MIN	3.3
t <sub>su</sub> Setup time	A before CLKAB ↑		MIN	4.3
	B before CLKBA ↑		MIN	4.3
	A before LEAB ↓ or LEBA ↓ CLK high		MIN	2.5
	A before LEAB ↓ or LEBA ↓ CLK low		MIN	1
t <sub>h</sub> Hold time	A after CLKAB ↑ or B after CLKBA ↑		MIN	0
	A after LEAB ↓ or B after LEBA ↓		MIN	2
t <sub>PLH</sub>	A or B	B or A	MAX	4.8
t <sub>PHL</sub>				5.7
t <sub>PZH</sub>	LEAB or LEBA	B or A	MAX	5.6
t <sub>PZL</sub>				5.9
t <sub>PHZ</sub>	CLKAB or CLKBA	B or A	MAX	5.5
t <sub>PLZ</sub>				5.3
t <sub>PZH</sub>	OEAB	B	MAX	5.3
t <sub>PZL</sub>				5.4
t <sub>PHZ</sub>	OEAB	B	MAX	6.5
t <sub>PLZ</sub>				5.8
t <sub>PZH</sub>	OEBA	A	MAX	5.3
t <sub>PZL</sub>				5.4
t <sub>PHZ</sub>	OEBA	A	MAX	6.5
t <sub>PLZ</sub>				5.8

UNIT f<sub>max</sub> : MHz other : ns



## FUNCTION TABLE

### A-TO-B STORAGE (OEAB = L)

INPUTS			OUTPUT
CLKNAB	OLKAB	A	B
H	X	X	B <sub>0</sub> †
L	↑	L	L
L	↑	H	H

† Output level before the indicated steady-state input conditions were established

### B-TO-A STORAGE (OEBA = L)

INPUTS					OUTPUT
CLKENBA	CLK2BA	CLK1BA	SEL	B	A
H	X	X	X	X	A <sub>0</sub> †
L	↑	X	H	L	L
L	↑	X	H	H	H
L	↑	↑	L	L	L‡
L	↑	↑	L	H	H‡

† Output level before the indicated steady-state input conditions were established

‡ Three CLK1BA edges and one CLK2BA edge are needed to propagate data from B to A when SEL is low.

## ELECTRICAL CHARACTERISTICS AND RECOMMENDED OPERATING CONDITIONS

PARAMETER	MAX or MIN	ALVCH 3V	UNIT
I <sub>CC</sub>	MAX	0.04	mA
I <sub>OH</sub> (A port)	MAX	-24	mA
I <sub>OH</sub> (B port)	MAX	-12	mA
I <sub>OL</sub> (A port)	MAX	24	mA
I <sub>OL</sub> (B port)	MAX	12	mA

## TIMING REQUIREMENTS AND SWITCHING CHARACTERISTICS

PARAMETER	INPUT	OUTPUT	MAX or MIN	ALVCH 3V
f <sub>max</sub>			MIN	150
t <sub>w</sub> Pulse duration, CLK high or low			MIN	3
t <sub>su</sub> Setup time	A data before CLKAB ↑		MIN	1.3
	B data before CLK2BA ↑		MIN	1.7
	B data before CLK1BA ↑		MIN	1.1
	SEL before CLK2BA ↑		MIN	3.3
	CLKENAB before CLKAB ↑		MIN	1.6
	CLKENBA before CLK1BA ↑		MIN	2.1
t <sub>h</sub> Hold time	CLKENBA before CLK2BA ↑		MIN	2.2
	A data after CLKAB ↑		MIN	0.9
	B data after CLK2BA ↑		MIN	0.6
	B data after CLK1BA ↑		MIN	1
	SEL after CLK2BA ↑		MIN	0.1
	CLKENAB after CLKAB ↑		MIN	0.3
t <sub>pd</sub>	CLKENBA after CLK1BA ↑		MIN	0.1
	CLKENBA after CLK2BA ↑		MIN	0
t <sub>pd</sub>	CLKAB	B	MAX	4.7
	CLK2BA	A		4.2
t <sub>en</sub>	OEBA	A	MAX	5.1
	OEAB	B		5.7
t <sub>dis</sub>	OEBA	A	MAX	4.9
	OEAB	B		4.9

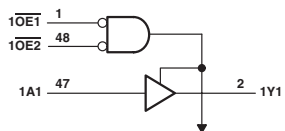
UNIT f<sub>max</sub> : MHz other : ns

# 162541

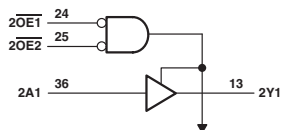
## 3.3-V ABT 16-BIT BUFFERS/DRIVERS WITH 3-STATE OUTPUTS

- SN74LVTH162541: Output Ports Have Equivalent 22-Ω Series Resistors

Logic Diagram



To Seven Other Channels



To Seven Other Channels

**FUNCTION TABLE**  
(each 8-bit section)

INPUTS			OUTPUT
OE1	OE2	A	Y
L	L	L	L
L	L	H	H
H	X	X	Z
X	H	X	Z

**ELECTRICAL CHARACTERISTICS AND RECOMMENDED OPERATING CONDITIONS**

PARAMETER	MAX or MIN	LVTH 3V	UNIT
I <sub>CC</sub>	MAX	5	mA
I <sub>OH</sub>	MAX	-12	mA
I <sub>OL</sub>	MAX	12	mA

**SWITCHING CHARACTERISTICS**

PARAMETER	INPUT	OUTPUT	MAX or MIN	LVTH 3V
t <sub>PLH</sub>	A	Y	MAX	4.1
				4.1
t <sub>PZH</sub>	$\overline{OE}$	Y	MAX	5
				4.8
t <sub>PHZ</sub>	$\overline{OE}$	Y	MAX	5.9
				5.4

UNIT: ns

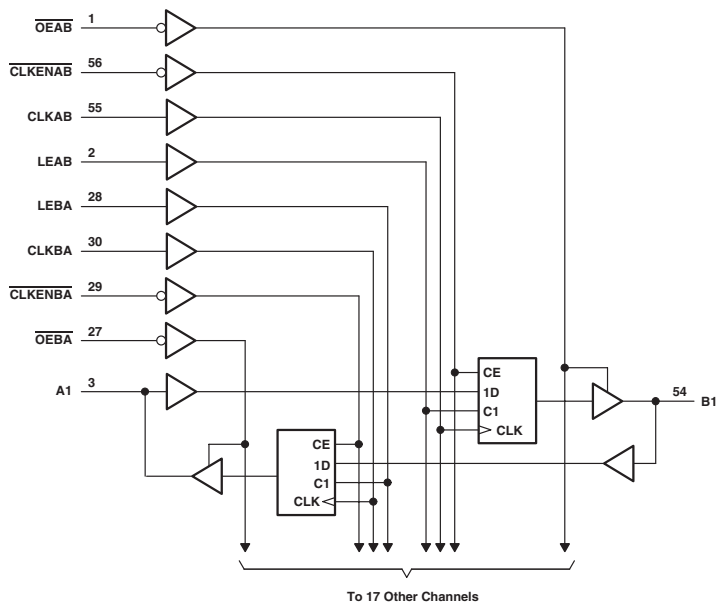


# 162601

## 18-BIT UNIVERSAL BUS TRANSCEIVER WITH 3-STATE OUTPUTS

- SN74ABT162601: B-Port Outputs Have Equivalent 25- $\Omega$  Series Resistors
- SN74ALVCH162601: B-Port Outputs Have Equivalent 26- $\Omega$  Series Resistors

Logic Diagram



FUNCTION TABLE

INPUTS					OUTPUT
CLKENAB	OEAB	LEAB	CLKAB	A	B
X	H	X	X	X	Z
X	L	H	X	L	L
X	L	H	X	H	H
H	L	L	X	X	B <sub>0</sub> †
H	L	L	X	X	B <sub>0</sub> †
L	L	L	↑	L	L
L	L	L	↑	H	H
L	L	L	L	X	B <sub>0</sub> †
L	L	L	H	X	B <sub>0</sub> ‡

† A-to-B data flow is shown; B-to-A flow is similar but uses OEBA, LEBA, CLKBA, and CLKENBA.

‡ Output level before the indicated steady-state input conditions were established.

§ Output level before the indicated steady-state input conditions were established, provided that CLKAB was low before LEAB went low.

## ELECTRICAL CHARACTERISTICS AND RECOMMENDED OPERATING CONDITIONS

PARAMETER	MAX or MIN	ABT	ALVCH 3V	UNIT
I <sub>cc</sub>	MAX	36	0.04	mA
I <sub>OH</sub> (A port)	MAX	-32	-24	mA
I <sub>OH</sub> (B port)	MAX	-12	-12	mA
I <sub>OL</sub> (A port)	MAX	64	24	mA
I <sub>OL</sub> (B port)	MAX	12	12	mA

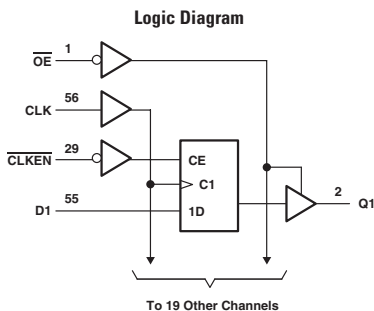
## TIMING REQUIREMENTS AND SWITCHING CHARACTERISTICS

PARAMETER	INPUT	OUTPUT	MAX or MIN	ABT	ALVCH 3V
f <sub>max</sub>			MIN	150	150
t <sub>w</sub> Pulse duration	LEAB or LEBA high		MIN	2.5	3.3
	CLKAB or CLKBA high or low		MIN	3	3.3
	Data before CLK ↑		MIN	4.3	2.1
t <sub>su</sub> Setup time	A before LEAB ↓ or B before LEBA ↓, CLK high		MIN	2.5	1.6
	A before LEAB ↓ or B before LEBA ↓, CLK low		MIN	1	1.1
	CLKEN before ↑		MIN	2.7	1.7
	Data after CLK ↑		MIN	0	0.8
t <sub>h</sub> Hold time	A after LEAB ↓ or B after LEBA ↓, CLK high		MIN	0.5	1.4
	A after LEAB ↓ or B after LEBA ↓, CLK low		MIN	0.5	1.7
	CLKEN after ↑		MIN	0	0.6
†P <sub>LH</sub>	A	B	MAX	4.8	4.5
†P <sub>HL</sub>				5.7	4.5
†P <sub>LH</sub>	B	A	MAX	4	4.1
†P <sub>HL</sub>				4.9	4.1
†P <sub>LH</sub>	LEBA	A	MAX	5	4.7
†P <sub>HL</sub>				5	4.7
†P <sub>LH</sub>	LEAB	B	MAX	5.6	5.1
†P <sub>HL</sub>				5.9	5.1
†P <sub>LH</sub>	CLKBA	A	MAX	5.3	5
†P <sub>HL</sub>				5	5
†P <sub>LH</sub>	CLKAB	B	MAX	5.5	5.5
†P <sub>HL</sub>				5.3	5.5
†P <sub>ZH</sub>	OEBA	A	MAX	5.1	5.2
†P <sub>ZL</sub>				5.4	5.2
†P <sub>ZH</sub>	OEAB	B	MAX	6.1	5.7
†P <sub>ZL</sub>				5.7	5.7
†P <sub>HZ</sub>	OEBA	A	MAX	6.2	4.4
†P <sub>LZ</sub>				5.4	4.4
†P <sub>HZ</sub>	OEAB	B	MAX	5.4	4.8
†P <sub>LZ</sub>				5.2	4.8

UNIT f<sub>max</sub> : MHz other : ns

## 3.3-V 20-BIT FLIP-FLOP WITH 3-STATE OUTPUTS

- SN74ALVCH162721: Output Ports Have Equivalent 26-Ω Series Resistors



**FUNCTION TABLE**  
(each flip-flop)

INPUTS				OUTPUT
OE	CLKEN	CLK	D	Q
L	H	X	X	Q <sub>0</sub>
L	L	↑	H	H
L	L	↑	L	L
L	L	L or H	X	Q <sub>0</sub>
H	X	X	X	Z

## ELECTRICAL CHARACTERISTICS AND RECOMMENDED OPERATING CONDITIONS

PARAMETER	MAX or MIN	ALVCH 3V	UNIT
I <sub>CC</sub>	MAX	0.04	mA
I <sub>OH</sub>	MAX	-12	mA
I <sub>OL</sub>	MAX	12	mA

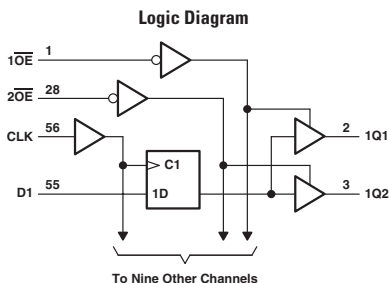
## TIMING REQUIREMENTS AND SWITCHING CHARACTERISTICS

PARAMETER	INPUT	OUTPUT	MAX or MIN	ALVCH 3V
f <sub>max</sub>			MIN	150
t <sub>w</sub> Pulse duration	CLK high or low		MIN	3.3
t <sub>su</sub> Setup time	Data before CLK ↑		MIN	3.1
	CLKEN before CLK ↑		MIN	2.7
t <sub>h</sub> Hold time	Data after CLK ↑		MIN	0
	CLKEN after CLK ↑		MIN	0
t <sub>PLH</sub>	CLK	Q	MAX	5.3
t <sub>PHL</sub>				5.3
t <sub>PZH</sub>	OE	Q	MAX	5.8
t <sub>PZL</sub>				5.8
t <sub>PHZ</sub>	OE	Q	MAX	5
t <sub>PLZ</sub>				5

UNIT f<sub>max</sub>: MHz other: ns

## 3.3-V 10-BIT FLIP-FLOP WITH DUAL OUTPUTS AND 3-STATE OUTPUTS

- SN74ALVCH162820: Output Ports Have Equivalent 26-Ω Series Resistors



**FUNCTION TABLE**  
(each flip flop)

INPUTS			OUTPUT
$\overline{OE}n^\dagger$	CLK	D	Q
L	↑	H	H
L	↑	L	L
L	L	X	$Q_0$
H	X	X	Z

$^\dagger n = 1,2$

## ELECTRICAL CHARACTERISTICS AND RECOMMENDED OPERATING CONDITIONS

PARAMETER	MAX or MIN	ALVCH 3V	UNIT
$I_{CC}$	MAX	0.04	mA
$I_{OH}$	MAX	-12	mA
$I_{OL}$	MAX	12	mA

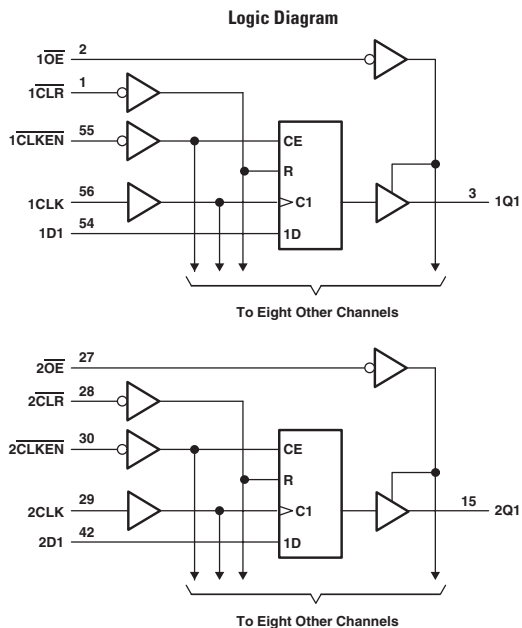
## TIMING REQUIREMENTS AND SWITCHING CHARACTERISTICS

PARAMETER	INPUT	OUTPUT	MAX or MIN	ALVCH 3V
$f_{max}$			MIN	150
$t_w$ Pulse duration	CLK high or low		MIN	3.3
$t_{su}$ Setup time	Data before CLK ↑		MIN	1.4
$t_h$ Hold time	Data after CLK ↑		MIN	1
$t_{PLH}$	CLK	Q	MAX	5.4
$t_{PHL}$				5.4
$t_{PZH}$	$\overline{OE}$	Q	MAX	5.6
$t_{PZL}$				5.6
$t_{PHZ}$	$\overline{OE}$	Q	MAX	5
$t_{PLZ}$				5

UNIT  $f_{max}$  : MHz other : ns

## 18-BIT BUS-INTERFACE FLIP-FLOPS WITH 3-STATE OUTPUTS

- SN74ABT162823A: Output Ports Have Equivalent 25-Ω Series Resistors



FUNCTION TABLE

INPUTS					OUTPUT
OE	CLR	CLENK	CLK	D	Q
L	L	X	X	X	L
L	H	L	↑	H	H
L	H	L	↑	L	L
L	H	L	L	X	Q <sub>0</sub>
L	H	H	X	X	Q <sub>0</sub>
H	X	X	X	X	Z

ELECTRICAL CHARACTERISTICS AND  
RECOMMENDED OPERATING CONDITIONS

PARAMETER	MAX or MIN	ABT	UNIT
I <sub>CC</sub>	MAX	80	mA
I <sub>OH</sub>	MAX	-12	mA
I <sub>OL</sub>	MAX	12	mA

TIMING REQUIREMENTS AND SWITCHING CHARACTERISTICS

PARAMETER	INPUT	OUTPUT	MAX or MIN	ABT
f <sub>max</sub>			MIN	150
t <sub>w</sub> Pulse duration	CLR low		MIN	3.3
	CLK high or low		MIN	3.3
t <sub>su</sub> Setup time	CLR inactive		MIN	1.6
	Data before CLK ↑		MIN	2
	CLKEN low before CLK ↑		MIN	2.8
t <sub>h</sub> Hold time	Data after CLK ↑		MIN	1.2
	CLKEN low after CLK ↑		MIN	0.6
t <sub>PLH</sub>	CLK	Q	MAX	7.5
t <sub>PHL</sub>				6.7
t <sub>PHL</sub>	CLR	Q	MAX	7
t <sub>PZH</sub>	OE	Q	MAX	5.9
t <sub>PZL</sub>				7
t <sub>PHZ</sub>	OE	Q	MAX	6.6
t <sub>PLZ</sub>				9

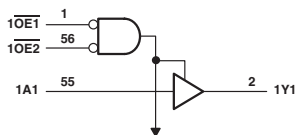
UNIT f<sub>max</sub>: MHz other : ns

# 162825

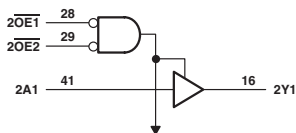
## 18-BIT BUFFERS/DRIVERS WITH 3-STATE OUTPUTS

- SN74ABT162825: Output Ports Have Equivalent 25-Ω Series Resistors

### Logic Diagram



To Eight Other Channels



To Eight Other Channels

### FUNCTION TABLE

INPUTS			OUTPUT
OE1	OE2	A	Y
L	L	L	L
L	L	H	H
H	X	X	Z
X	H	X	Z

### ELECTRICAL CHARACTERISTICS AND RECOMMENDED OPERATING CONDITIONS

PARAMETER	MAX or MIN	ABT	UNIT
I <sub>CC</sub>	MAX	32	mA
I <sub>OH</sub>	MAX	-12	mA
I <sub>OL</sub>	MAX	12	mA

### SWITCHING CHARACTERISTICS

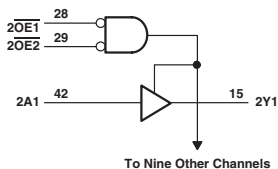
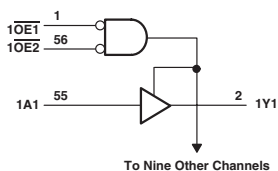
PARAMETER	INPUT	OUTPUT	MAX or MIN	ABT
t <sub>PLH</sub>	A	Y	MAX	3.9
t <sub>PHL</sub>				4.7
t <sub>PZH</sub>	$\overline{OE}$	Y	MAX	6.9
t <sub>PZL</sub>				6.3
t <sub>PHZ</sub>	$\overline{OE}$	Y	MAX	6.6
t <sub>PLZ</sub>				6.3

UNIT: ns

## 20-BIT BUS BUFFERS/DRIVERS WITH 3-STATE OUTPUTS

- SN74ABT162827A: Output Ports Have Equivalent 25-Ω Series Resistors
- SN74ALVTH162827: Output Ports Have Equivalent 30-Ω Series Resistors
- SN74ALVCH162827: Output Ports Have Equivalent 26-Ω Series Resistors

## Logic Diagram



**FUNCTION TABLE**  
(each flip flop)

INPUTS			OUTPUT
OE1	OE2	A	Y
L	L	L	L
L	L	H	H
H	X	X	Z
X	H	X	Z

## ELECTRICAL CHARACTERISTICS AND RECOMMENDED OPERATING CONDITIONS

PARAMETER	MAX or MIN	ABT	ALVTH 3V	ALVCH 3V	UNIT
I <sub>CC</sub>	MAX	32	5.5	0.04	mA
I <sub>DH</sub>	MAX	-12	-12	-12	mA
I <sub>OL</sub>	MAX	12	12	12	mA

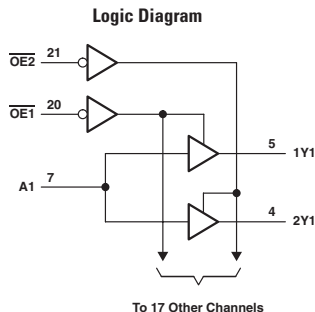
## SWITCHING CHARACTERISTICS

PARAMETER	INPUT	OUTPUT	MAX or MIN	ABT	ALVTH 3V	ALVCH 3V
t <sub>PLH</sub>	A	Y	MAX	3.9	3.9	3.8
t <sub>PHL</sub>				4.7	3.7	3.8
t <sub>PZH</sub>	$\overline{OE}$	Y	MAX	6.9	5.6	5.1
t <sub>PZL</sub>				6.3	4.1	5.1
t <sub>PHZ</sub>	$\overline{OE}$	Y	MAX	6.6	6.3	4.7
t <sub>PLZ</sub>				6.3	5.1	4.7

UNIT: ns

## 1-BIT TO 2-BIT ADDRESS DRIVER WITH 3-STATE OUTPUTS

- SN74ALVCH162830, SN74ALVCHS162830: Output Ports Have Equivalent 26-Ω Series Resistors



FUNCTION TABLE

INPUTS			OUTPUTS	
OE1	OE2	A	1Yn	2Yn
L	H	H	H	Z
L	H	L	L	Z
H	L	H	Z	H
H	L	L	Z	L
L	L	H	H	H
L	L	L	L	L
H	H	X	Z	Z

## ELECTRICAL CHARACTERISTICS AND RECOMMENDED OPERATING CONDITIONS

PARAMETER	MAX or MIN	ALVCH 3V	ALVCHS 3V	UNIT
I <sub>CC</sub>	MAX	0.04	0.04	mA
I <sub>OH</sub>	MAX	-12	-12	mA
I <sub>OL</sub>	MAX	12	12	mA

## SWITCHING CHARACTERISTICS

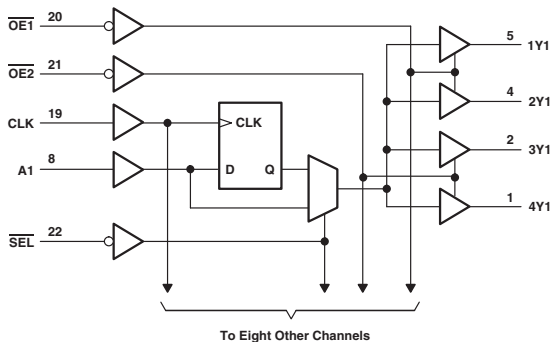
PARAMETER	INPUT	OUTPUT	MAX or MIN	ALVCH 3V	ALVCHS 3V
t <sub>PLH</sub>	A	Y	MAX	3.5	3.5
t <sub>PHL</sub>				3.5	3.5
t <sub>PZH</sub>	$\overline{OE}$	Y	MAX	4.8	4.8
t <sub>PZL</sub>				4.8	4.8
t <sub>PHZ</sub>	$\overline{OE}$	Y	MAX	5.2	5.2
t <sub>PLZ</sub>				5.2	5.2

UNIT: ns



## 1-BIT TO 4-BIT ADDRESS REGISTER/DRIVER WITH 3-STATE OUTPUTS

- SN74ALVC162831, SN74ALVCH162831: Output Ports Have Equivalent 26-Ω Series Resistors



FUNCTION TABLE

INPUTS				OUTPUT	
OE	SEL	CLK	A	Y	Z
H	X	X	X	L	L
L	H	X	L	H	L
L	H	X	H	L	H
L	L	↑	L	L	L
L	L	↑	H	H	H

ELECTRICAL CHARACTERISTICS AND RECOMMENDED OPERATING CONDITIONS

PARAMETER	MAX or MIN	ALVC 3V	ALVCH 3V	UNIT
I <sub>CC</sub>	MAX	0.04	0.04	mA
I <sub>OH</sub>	MAX	-12	-12	mA
I <sub>OL</sub>	MAX	12	12	mA

TIMING REQUIREMENTS AND SWITCHING CHARACTERISTICS

PARAMETER	INPUT	OUTPUT	MAX or MIN	ALVC 3V	ALVCH 3V
f <sub>max</sub>			MIN	150	150
t <sub>w</sub> Pulse duration	CLK high or low		MIN	3.3	3.3
t <sub>su</sub> Setup time	A data before CLK ↑		MIN	1.6	1.6
t <sub>h</sub> Hold time	A data after CLK ↑		MIN	1.1	1.1
t <sub>PLH</sub>	A	Y	MAX	4.3	4.3
t <sub>PHL</sub>	A	Y	MAX	4.3	4.3
t <sub>PLH</sub>	CLK	Y	MAX	4.7	4.7
t <sub>PHL</sub>	CLK	Y	MAX	4.7	4.7
t <sub>PLH</sub>	SEL	Y	MAX	4.8	4.8
t <sub>PHL</sub>	SEL	Y	MAX	4.8	4.8
t <sub>PZH</sub>	OE	Y	MAX	5.1	5.1
t <sub>PZL</sub>	OE	Y	MAX	5.1	5.1
t <sub>PHZ</sub>	OE	Y	MAX	5.1	5.1
t <sub>PLZ</sub>	OE	Y	MAX	5.1	5.1

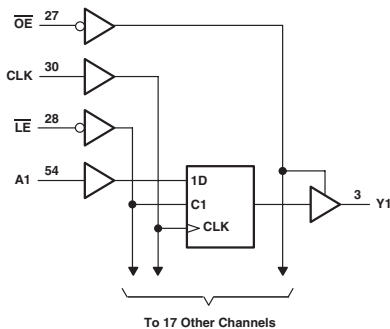
UNIT f<sub>max</sub>: MHz other: ns



## 18-BIT UNIVERSAL BUS DRIVER WITH 3-STATE OUTPUTS

- SN74ALVC162834: Outputs Have Equivalent 26-Ω Series Resistors

Logic Diagram



FUNCTION TABLE

INPUTS				OUTPUT
OE	LE	CLK	A	Y
H	X	X	X	Z
L	L	X	L	L
L	L	X	H	H
L	H	↑	L	L
L	H	↑	H	H
L	H	H	X	Y <sub>0†</sub>
L	H	L	X	Y <sub>0‡</sub>

† Output level before the indicated steady-state input conditions were established, provided that CLK is high before LE goes high.

‡ Output level before the indicated steady-state input conditions were established.

ELECTRICAL CHARACTERISTICS AND RECOMMENDED OPERATING CONDITIONS

PARAMETER	MAX or MIN	ALVC 3V	ALVCF 3V	UNIT
I <sub>CC</sub>	MAX	0.04	0.04	mA
I <sub>OH</sub>	MAX	-12	-18	mA
I <sub>OL</sub>	MAX	12	18	mA

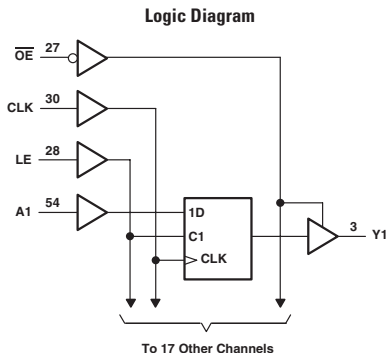
TIMING REQUIREMENTS AND SWITCHING CHARACTERISTICS

PARAMETER	INPUT	OUTPUT	MAX or MIN	ALVC 3V	ALVCF 3V
f <sub>max</sub>			MIN	150	150
t <sub>w</sub> Pulse duration	LE low		MIN	3.3	3.3
	CLK high or low		MIN	3.3	3.3
t <sub>su</sub> Setup time	Data before LE ↑, CLK high		MIN	1.7	1.0
	Data before LE ↑, CLK high		MIN	1.9	1.5
	Data before LE ↑, CLK low		MIN	1.5	1.0
t <sub>h</sub> Hold time	A data after CLK ↑		MIN	0.7	0.6
	Data after LE ↑, CLK high		MIN	0.9	1.4
	Data after LE ↑, CLK low		MIN	0.9	1.4
t <sub>PLH</sub>	A	Y	MAX	4.2	3.5
t <sub>PHL</sub>				4.2	3.5
t <sub>PLH</sub>	LE	Y	MAX	5.8	4.6
t <sub>PHL</sub>				5.8	4.6
t <sub>PLH</sub>	CLK	Y	MAX	5.4	3.5
t <sub>PHL</sub>				5.4	3.5
t <sub>PZH</sub>	OE	Y	MAX	5.9	5.0
t <sub>PZH</sub>				5.9	5.0
t <sub>PHZ</sub>	OE	Y	MAX	5	4.2
t <sub>PHZ</sub>				5	4.2

UNIT f<sub>max</sub>: MHz other: ns

# 18-BIT UNIVERSAL BUS DRIVER WITH 3-STATE OUTPUTS

- SN74ALVC162835, SN74ALVCH162835: Output Port Has Equivalent 26-Ω Series Resistors



**FUNCTION TABLE**

INPUTS				OUTPUT Y
OE	LE	CLK	A	
H	X	X	X	Z
L	H	X	L	L
L	H	X	H	H
L	L	↑	L	L
L	L	↑	H	H
L	L	L or H	X	Y <sub>0</sub> †

† Output level before the indicated steady-state input conditions were established

**ELECTRICAL CHARACTERISTICS AND RECOMMENDED OPERATING CONDITIONS**

PARAMETER	MAX or MIN	ALVC 3V	ALVCF 3V	ALVCH 3V	UNIT
I <sub>CC</sub>	MAX	0.04	0.04	0.04	mA
I <sub>OH</sub>	MAX	-12	-18	-12	mA
I <sub>OL</sub>	MAX	12	18	12	mA

**TIMING REQUIREMENTS AND SWITCHING CHARACTERISTICS**

PARAMETER	INPUT	OUTPUT	MAX or MIN	ALVC 3V	ALVCF 3V	ALVCH 3V
f <sub>max</sub>			MIN	150	150	150
t <sub>w</sub> Pulse duration	LE low		MIN	3.3	3.3	3.3
	CLK high or low		MIN	3.3	3.3	3.3
t <sub>su</sub> Setup time	Data before CLK ↑		MIN	1.7	1.0	1.7
	Data before LE ↓, CLK high		MIN	1.5	1.5	1.5
	Data before LE ↓, CLK low		MIN	1	1.0	1
t <sub>h</sub> Hold time	A data after CLK ↑		MIN	0.7	0.6	0.7
	Data after LE ↓, CLK high		MIN	1.4	1.4	1.4
	Data after LE ↓, CLK low		MIN	1.4	1.4	1.4
t <sub>PLH</sub>	A	Y	MAX	4.2	3.5	4.2
				4.2	3.5	4.2
t <sub>PHL</sub>	LE	Y	MAX	5.1	4.6	5.1
				5.1	4.6	5.1
t <sub>PLH</sub>	CLK	Y	MAX	5.4	3.5	5.4
				5.4	3.5	5.4
t <sub>PHZ</sub>	OE	Y	MAX	5.5	5.0	5.5
				5.5	5.0	5.5
t <sub>PHZ</sub>	OE	Y	MAX	4.5	4.2	4.5
				4.5	4.2	4.5

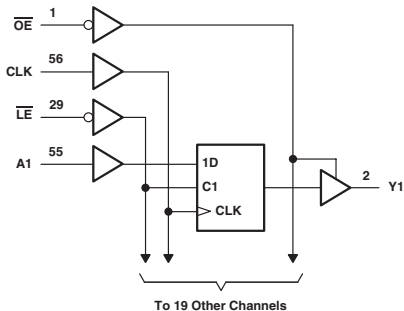
UNIT f<sub>max</sub>: MHz other: ns

# 162836

## 20-BIT UNIVERSAL BUS DRIVER WITH 3-STATE OUTPUTS

- SN74ALVC162836, SN74ALVCH162836: Output Port Has Equivalent 26-Ω Series Resistors

Logic Diagram



FUNCTION TABLE

INPUTS				OUTPUT
OE	LE	CLK	A	Y
H	X	X	X	Z
L	L	X	L	L
L	L	X	H	H
L	H	↑	L	L
L	H	↑	H	H
L	H	L or H	X	Y <sub>0</sub> †

† Output level before the indicated steady-state input conditions were established

### ELECTRICAL CHARACTERISTICS AND RECOMMENDED OPERATING CONDITIONS

PARAMETER	MAX or MIN	ALVC 3V	ALVCH 3V	UNIT
I <sub>CC</sub>	MAX	0.04	0.04	mA
I <sub>OH</sub>	MAX	-12	-12	mA
I <sub>OL</sub>	MAX	12	12	mA

### TIMING REQUIREMENTS AND SWITCHING CHARACTERISTICS

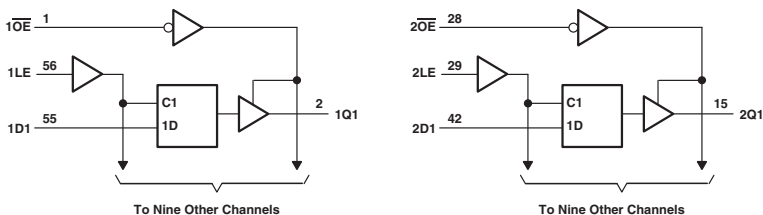
PARAMETER	INPUT	OUTPUT	MAX or MIN	ALVC 3V	ALVCH 3V
t <sub>max</sub>			MIN	150	150
t <sub>w</sub> Pulse duration	LE low		MIN	3.3	3.3
	CLK high or low		MIN	3.3	3.3
t <sub>su</sub> Setup time	Data before CLK ↑		MIN	1.5	1.5
	Data before LE ↓, CLK high		MIN	1.3	1.3
	Data before LE ↓, CLK low		MIN	1.2	1.2
t <sub>h</sub> Hold time	A data after CLK ↑		MIN	0.9	0.9
	Data after LE ↓, CLK high		MIN	1.1	1.1
	Data after LE ↓, CLK low		MIN	1.1	1.1
t <sub>PLH</sub>	A	Y	MAX	4	4
				4	4
t <sub>PHL</sub>	LE	Y	MAX	5.1	5.1
				5.1	5.1
t <sub>PLH</sub>	CLK	Y	MAX	5	5
				5	5
t <sub>PHL</sub>	OE	Y	MAX	5.5	5.5
				5.5	5.5
t <sub>PHZ</sub>	OE	Y	MAX	5.1	5.1
				5.1	5.1

UNIT f<sub>max</sub>: MHz other: ns

## 20-BIT BUS-INTERFACE D-TYPE LATCH WITH 3-STATE OUTPUTS

- SN74ABT162841: Output Ports Have Equivalent 25- $\Omega$  Series Resistors
- SN74ALVCH162841: Output Ports Have Equivalent 26- $\Omega$  Series Resistors

## Logic Diagram



**FUNCTION TABLE**  
(each 10-bit latch)

INPUTS			OUTPUT
$\overline{OE}$	LE	D	Q
L	H	H	H
L	H	L	L
L	L	X	$Q_0$
H	X	X	Z

## ELECTRICAL CHARACTERISTICS AND RECOMMENDED OPERATING CONDITIONS

PARAMETER	MAX or MIN	ABT	ALVCH 3V	UNIT
$I_{CC}$	MAX	89	0.04	mA
$I_{OH}$	MAX	-12	-12	mA
$I_{OL}$	MAX	12	12	mA

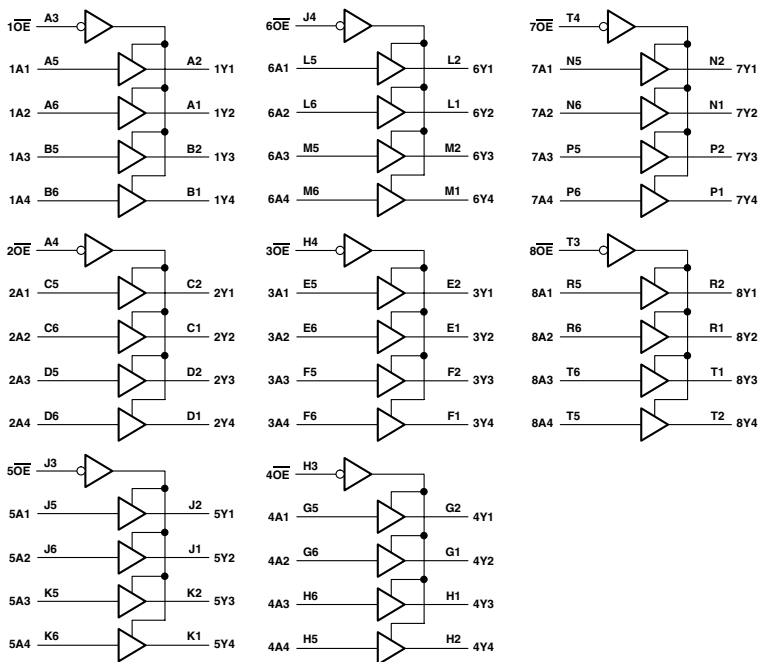
## TIMING REQUIREMENTS AND SWITCHING CHARACTERISTICS

PARAMETER	INPUT	OUTPUT	MAX or MIN	ABT	ALVCH 3V
$t_{sw}$	Pulse duration	LE high or low	MIN	4	3.3
$t_{su}$	Setup time	Data before LE $\downarrow$	MIN	0.8	-
		Data before LE $\uparrow$		-	1.1
$t_h$	Hold time	Data after LE $\downarrow$	MIN	1.8	-
		Data after LE $\uparrow$		-	1.1
$t_{PLH}$	D	Q	MAX	5.2	4.3
$t_{PHL}$				6	4.3
$t_{PLH}$	LE	Q	MAX	5.4	4.7
$t_{PHL}$				5.8	4.7
$t_{PZH}$	$\overline{OE}$	Q	MAX	5.7	5.3
$t_{PZL}$				6.5	5.3
$t_{PHZ}$	$\overline{OE}$	Q	MAX	6.5	4.4
$t_{PLZ}$				7.1	4.4

UNIT : ns

## 32-BIT BUFFER/DRIVER WITH 3-STATE OUTPUTS

## Logic Diagram



## ELECTRICAL CHARACTERISTICS AND RECOMMENDED OPERATING CONDITIONS

PARAMETER	MAX or MIN	LVCH 3V	UNIT
$I_{CC}$	MAX	0.04	mA
$I_{OH}$	MAX	-12	mA
$I_{OL}$	MAX	12	mA

## SWITCHING CHARACTERISTICS

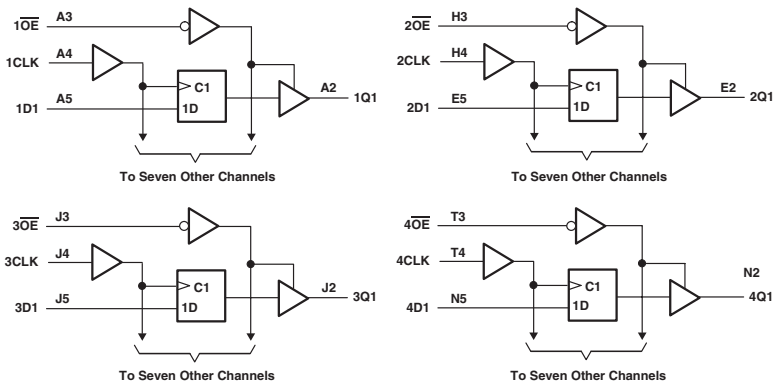
PARAMETER	INPUT	OUTPUT	MAX or MIN	LVCH 3V
$t_{PLH}$	A	Y	MAX	4.4
$t_{PHL}$				4.4
$t_{PZH}$	$\overline{OE}$	Y	MAX	5.5
$t_{PZL}$				5.5
$t_{PHZ}$	$\overline{OE}$	Y	MAX	6.3
$t_{PLZ}$				6.3

UNIT: ns

## 3.3-V ABT 32-BIT EDGE-TRIGGERED D-TYPE FLIP-FLOP

- Output Ports Have Equivalent 22-Ω Series Resistors

## Logic Diagram



## FUNCTION TABLE

(each 8bit flip-flop)

INPUTS			OUTPUT
$\overline{OE}$	CLK	D	Q
L	↑	H	H
L	↑	L	L
L	H or L	X	Q <sub>0</sub>
H	X	X	Z

ELECTRICAL CHARACTERISTICS AND  
RECOMMENDED OPERATING CONDITIONS

PARAMETER	MAX or MIN	LVTH 3V	UNIT
I <sub>CC</sub>	MAX	10	mA
I <sub>OH</sub>	MAX	-12	mA
I <sub>OL</sub>	MAX	12	mA

## TIMING REQUIREMENTS AND SWITCHING CHARACTERISTICS

PARAMETER	INPUT	OUTPUT	MAX or MIN	LVTH 3V
f <sub>max</sub>				160
t <sub>w</sub> Pulse duration, CLK high or low			MIN	3
t <sub>su</sub> Setup time	Data before CLK ↑, data high		MIN	1.8
	Data before CLK ↑, data low		MIN	1.8
t <sub>h</sub> Hold time	Data after CLK ↑, data high		MIN	0.8
	Data after CLK ↑, data low		MIN	0.8
t <sub>PLH</sub>	CLK	Q	MAX	5.3
t <sub>PHL</sub>				4.9
t <sub>FZH</sub>	$\overline{OE}$	Q	MAX	5.6
t <sub>FZL</sub>				4.9
t <sub>PHZ</sub>	$\overline{OE}$	Q	MAX	5.4
t <sub>PLZ</sub>				5

UNIT f<sub>max</sub>: MHz other : ns



## TI Worldwide Technical Support

---

### Internet

#### TI Semiconductor Product Information Center Home Page

[support.ti.com](http://support.ti.com)

#### TI Semiconductor KnowledgeBase Home Page

[support.ti.com/sc/knowledgebase](http://support.ti.com/sc/knowledgebase)

### Product Information Centers

#### Americas

Phone +1(972) 644-5580  
Fax +1(972) 927-6377  
Internet/Email [support.ti.com/sc/pic/americas.htm](http://support.ti.com/sc/pic/americas.htm)

#### Europe, Middle East, and Africa

Phone  
Belgium (English) +32 (0) 27 45 55 32  
Finland (English) +358 (0) 9 25173948  
France +33 (0) 1 30 70 11 64  
Germany +49 (0) 8161 80 33 11  
Israel (English) 1800 949 0107  
Italy 800 79 11 37  
Netherlands (English) +31 (0) 546 87 95 45  
Russia +7 (0) 95 7850415  
Spain +34 902 35 40 28  
Sweden (English) +46 (0) 8587 555 22  
United Kingdom +44 (0) 1604 66 33 99  
Fax +{49} (0) 8161 80 2045  
Email [epic@ti.com](mailto:epic@ti.com)  
Internet [support.ti.com/sc/pic/euro.htm](http://support.ti.com/sc/pic/euro.htm)

#### Japan

Fax  
International +81-3-3344-5317  
Domestic 0120-81-0036  
Internet/Email  
International [support.ti.com/sc/pic/japan.htm](http://support.ti.com/sc/pic/japan.htm)  
Domestic [www.tj.co.jp/pic](http://www.tj.co.jp/pic)

#### Asia

Phone  
International +886-2-23786800  
Domestic Toll-Free Number  
Australia 1-800-999-084  
China 800-820-8682  
Hong Kong 800-96-5941  
Indonesia 001-803-8861-1006  
Korea 080-551-2804  
Malaysia 1-800-80-3973  
New Zealand 0800-446-934  
Philippines 1-800-765-7404  
Singapore 800-886-1028  
Taiwan 0800-006800  
Thailand 001-800-886-0010  
Fax 886-2-2378-6808  
Email [tiasia@ti.com](mailto:tiasia@ti.com)  
[ti-china@ti.com](mailto:ti-china@ti.com)  
Internet [support.ti.com/sc/pic/asia.htm](http://support.ti.com/sc/pic/asia.htm)

